

US00D669398S

(12) **United States Design Patent**
Parkins

(10) **Patent No.:** **US D669,398 S**

(45) **Date of Patent:** **** Oct. 23, 2012**

(54) **PORTABLE BICYCLE STAND**

(76) Inventor: **Howard Parkins**, Burbank, CA (US)

(**) Term: **14 Years**

(21) Appl. No.: **29/413,125**

(22) Filed: **Feb. 10, 2012**

Related U.S. Application Data

(63) Continuation-in-part of application No. 13/324,292, filed on Dec. 13, 2011.

(51) **LOC (9) Cl.** **12-11**

(52) **U.S. Cl.** **D12/115**

(58) **Field of Classification Search** D12/115,
D12/120; 211/17-22; 248/176.1, 309.1;
280/293

See application file for complete search history.

(56) **References Cited**

U.S. PATENT DOCUMENTS

D260,248 S *	8/1981	Gallagher	D12/115
4,442,961 A *	4/1984	Bott	211/20
4,856,659 A *	8/1989	Krebs	211/24
D372,691 S *	8/1996	Eason	D12/115
D391,902 S *	3/1998	Pappas	D12/115
6,581,785 B1 *	6/2003	Falkenstein	211/24

D610,048 S * 2/2010 Sladick et al. D12/115
* cited by examiner

Primary Examiner — Susan M Lee

Assistant Examiner — Linda G. Brooks

(74) *Attorney, Agent, or Firm* — James A. Italia; Italia IP

(57) **CLAIM**

The ornamental design for a portable bicycle stand, as shown and described.

DESCRIPTION

FIG. 1 is a perspective view of a portable bicycle stand, showing my new design;

FIG. 2 is a left-side elevational view of a portable bicycle stand shown in FIG. 1;

FIG. 3 is a right-side elevational view of a portable bicycle stand shown in FIG. 1;

FIG. 4 is a front elevational view of a portable bicycle stand shown in FIG. 1;

FIG. 5 is a rear elevational view of a portable bicycle stand shown in FIG. 1;

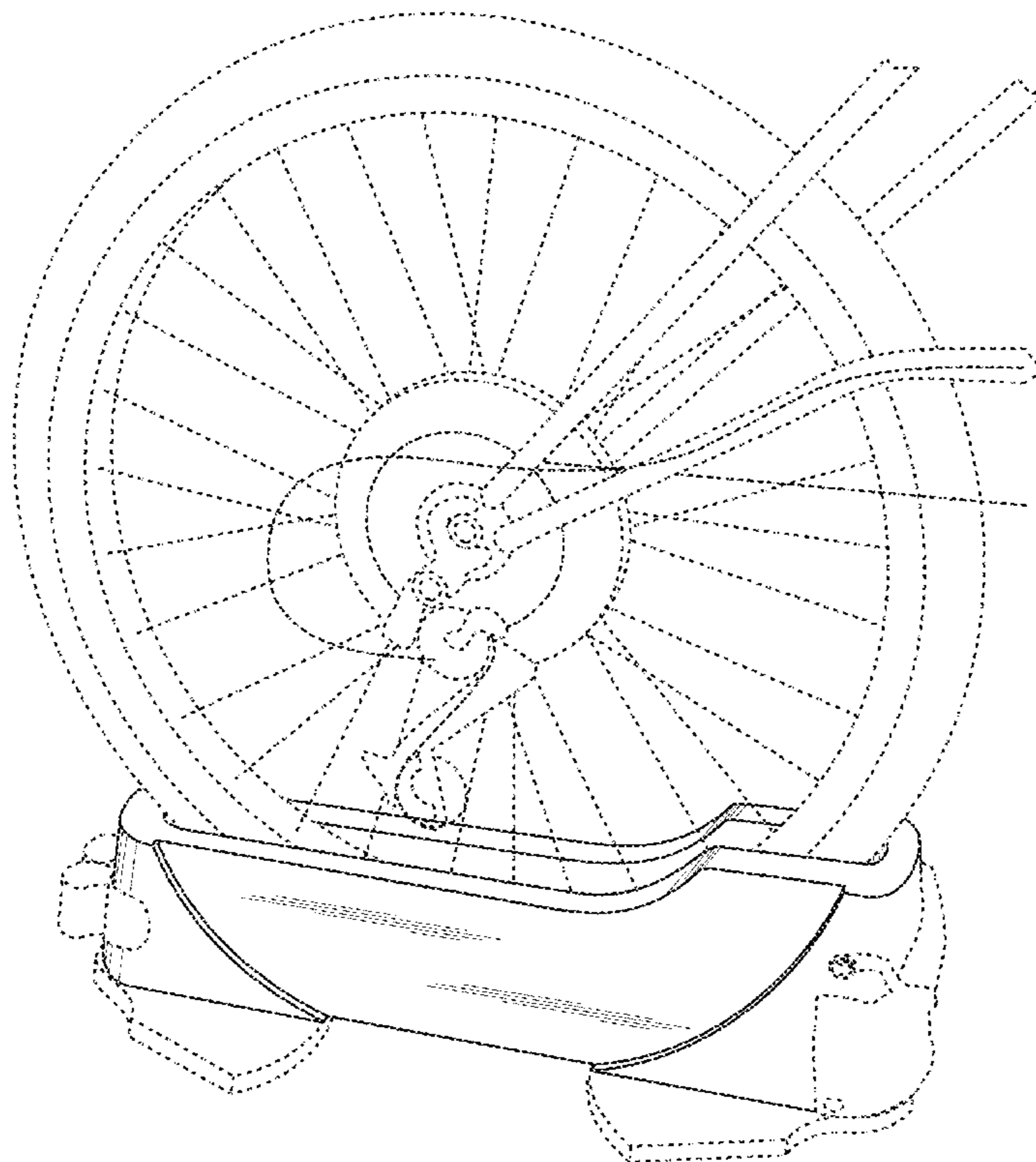
FIG. 6 is a top plan view of a portable bicycle stand shown in FIG. 1; and

FIG. 7 is a bottom plan view of a portable bicycle stand shown in FIG. 1; and,

FIG. 8 is a perspective view of a portable bicycle stand shown in FIG. 1 in its environment.

The broken lines form no part of the claimed design.

1 Claim, 4 Drawing Sheets



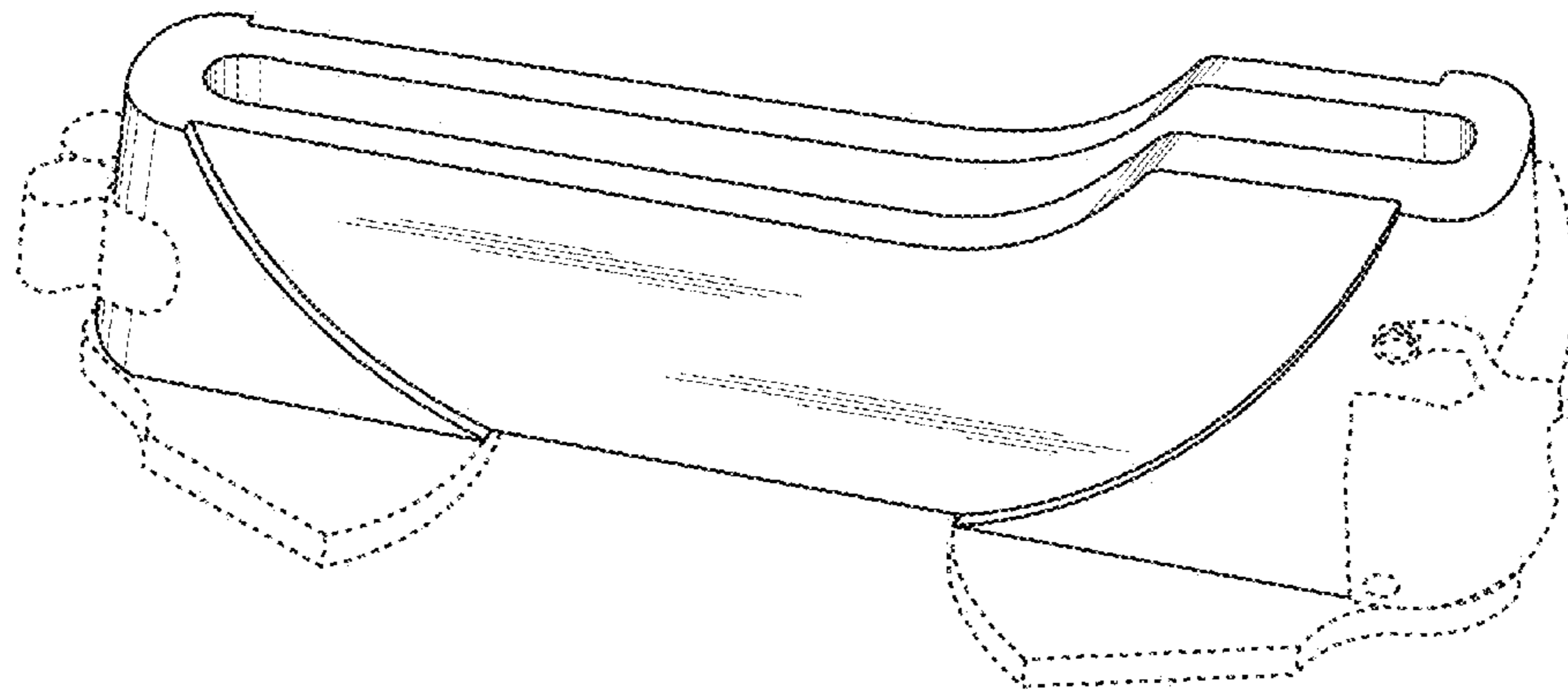


FIG. 1

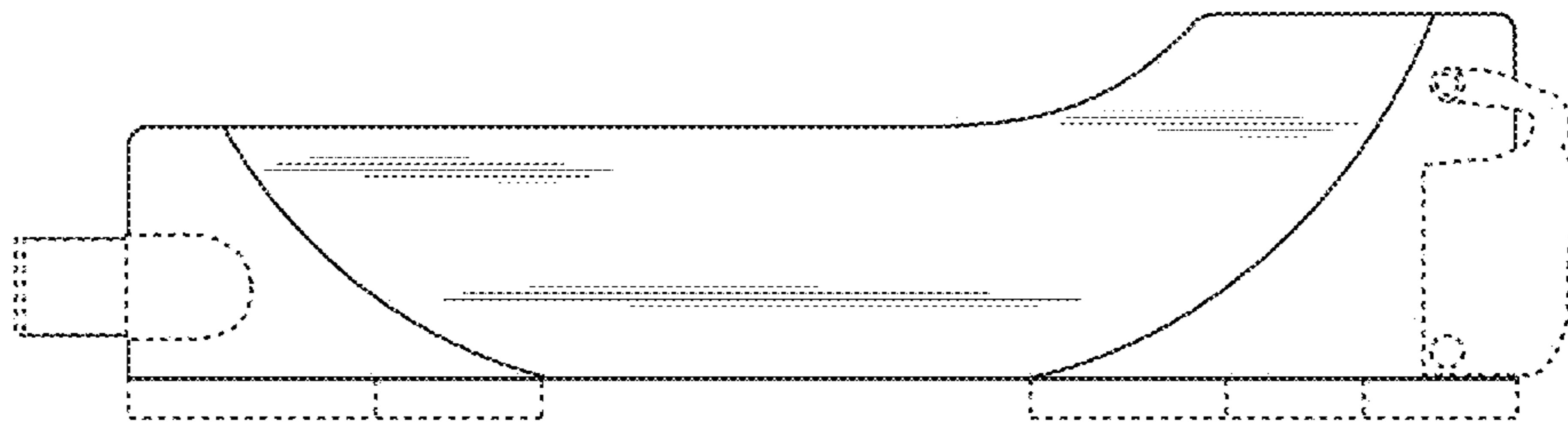


FIG. 2

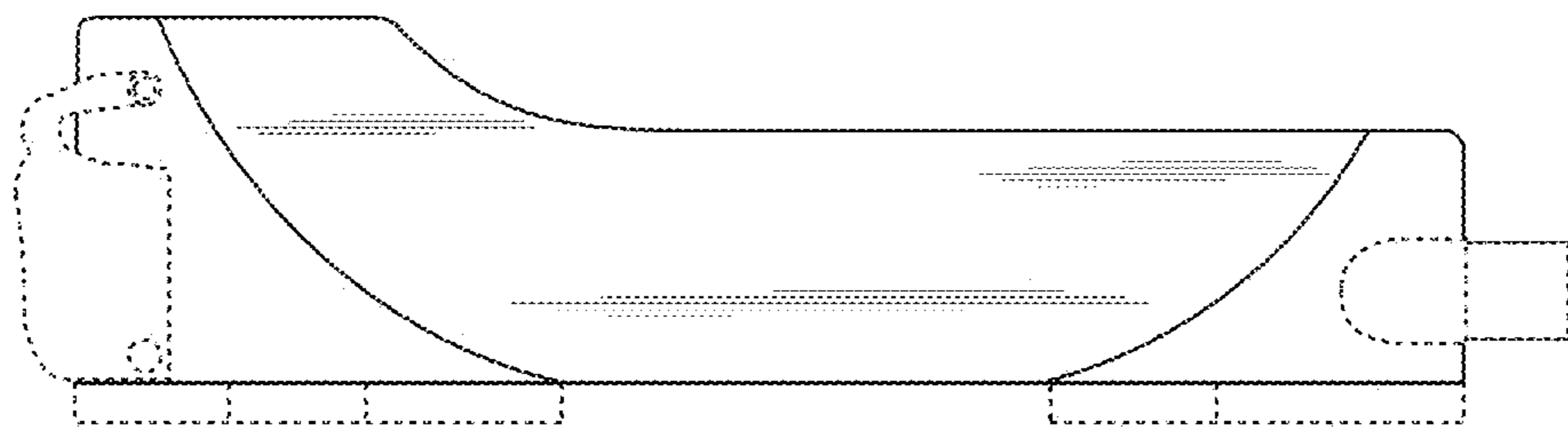


FIG. 3

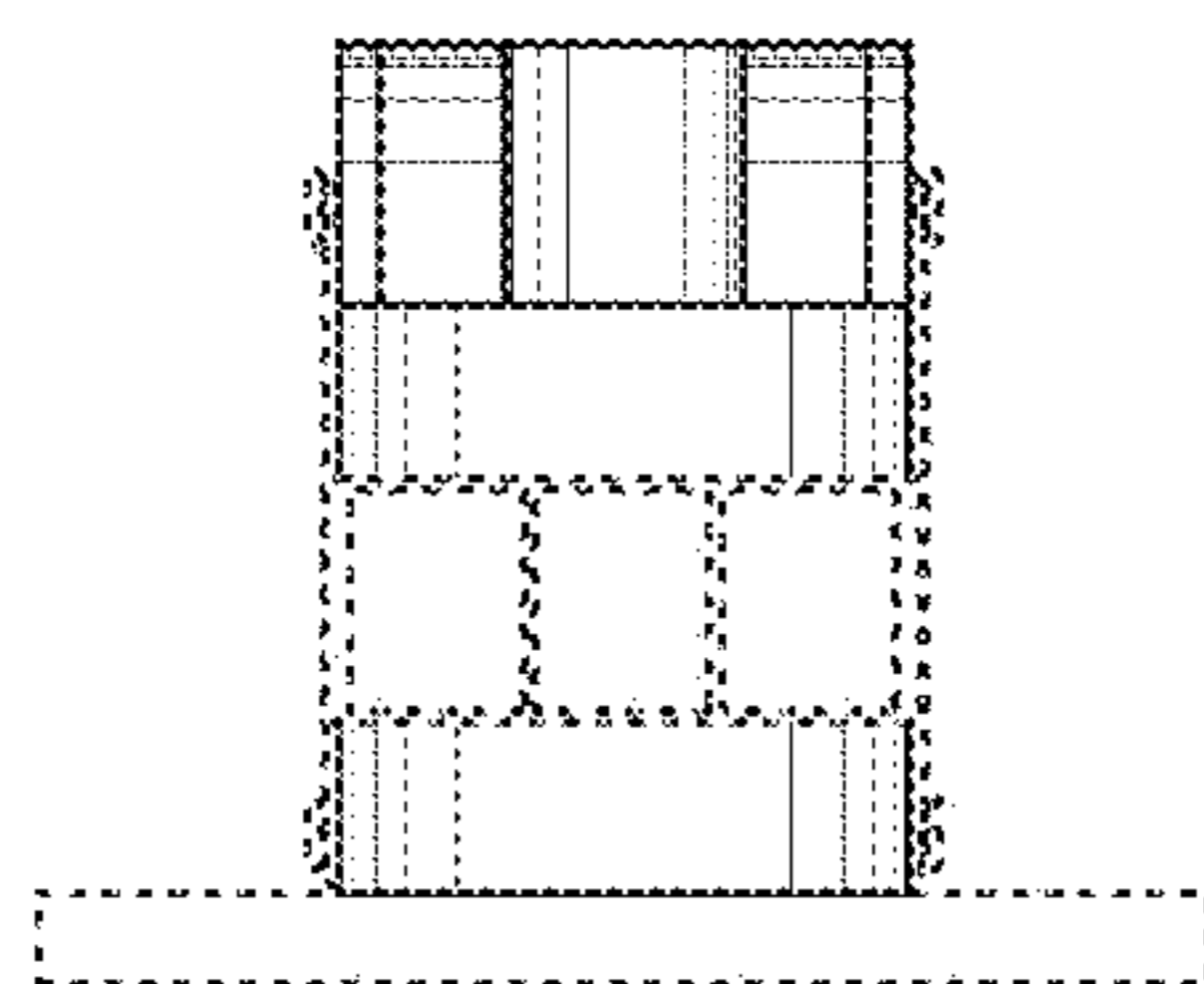


FIG. 4

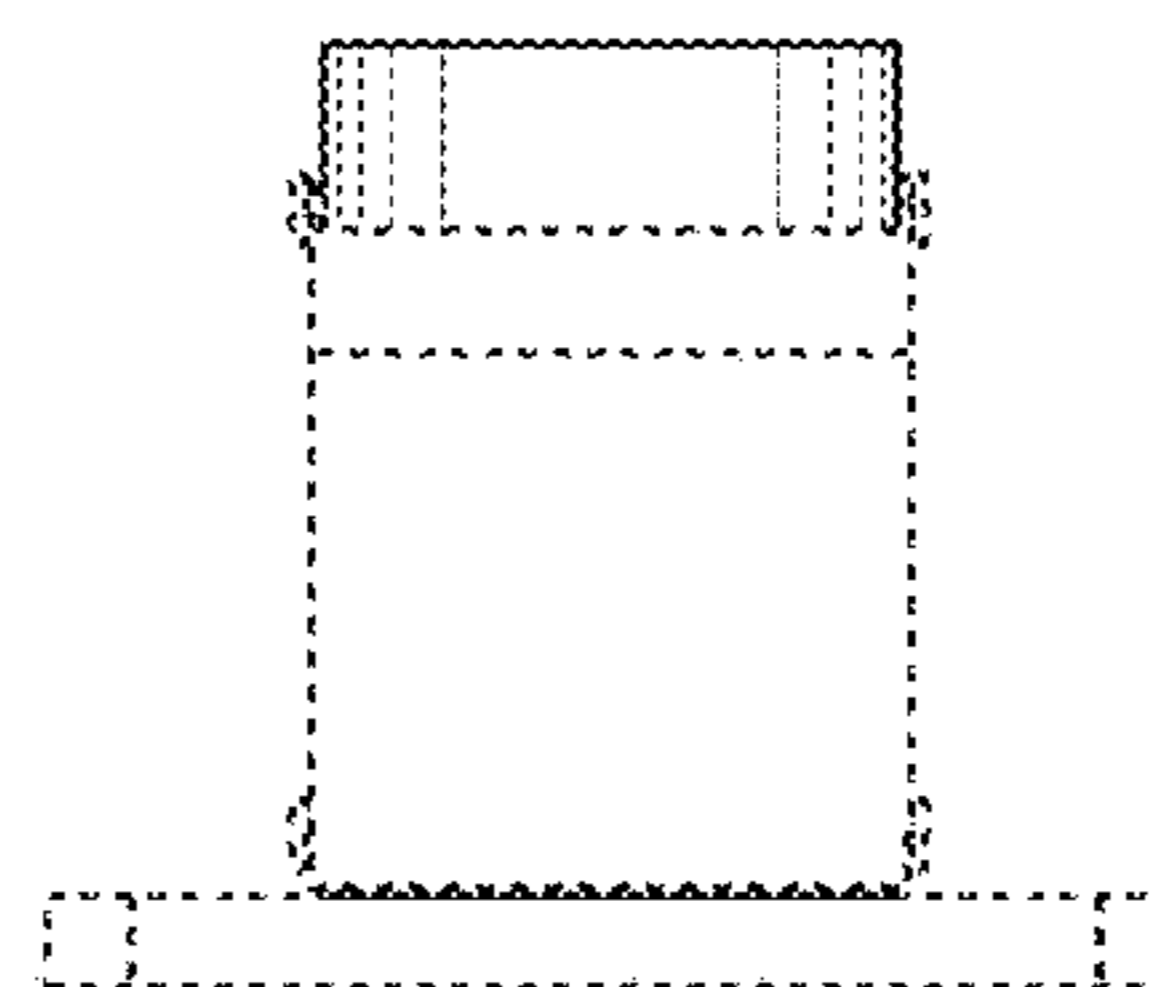


FIG. 5

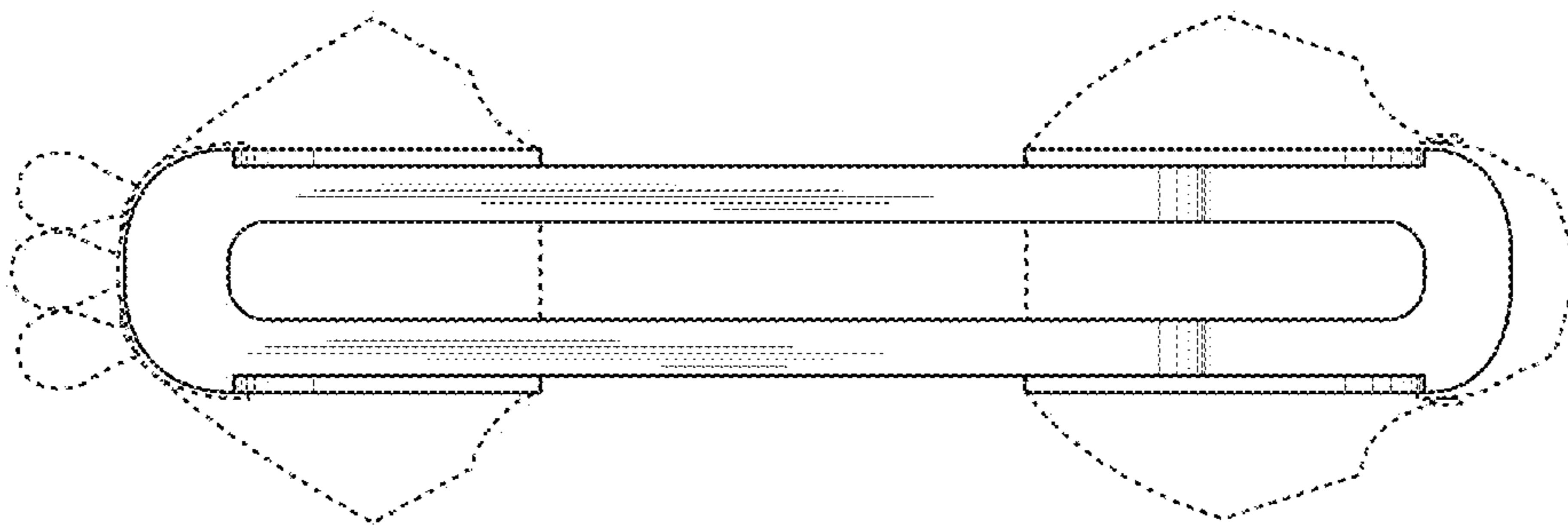


FIG. 6

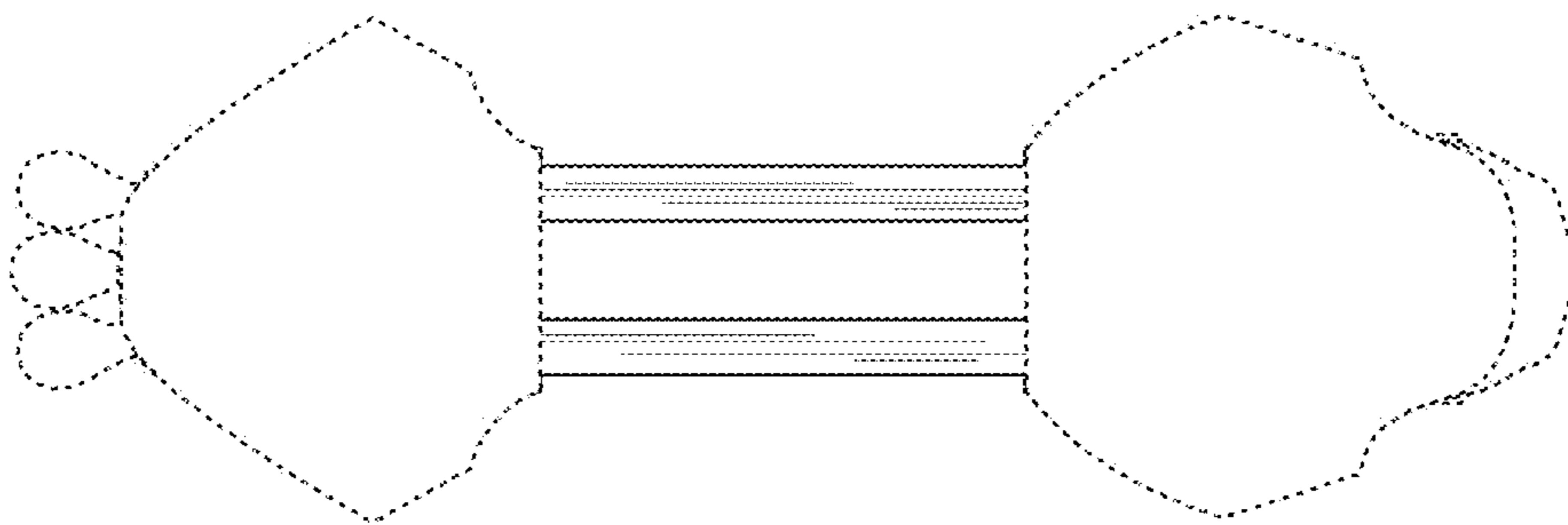


FIG. 7

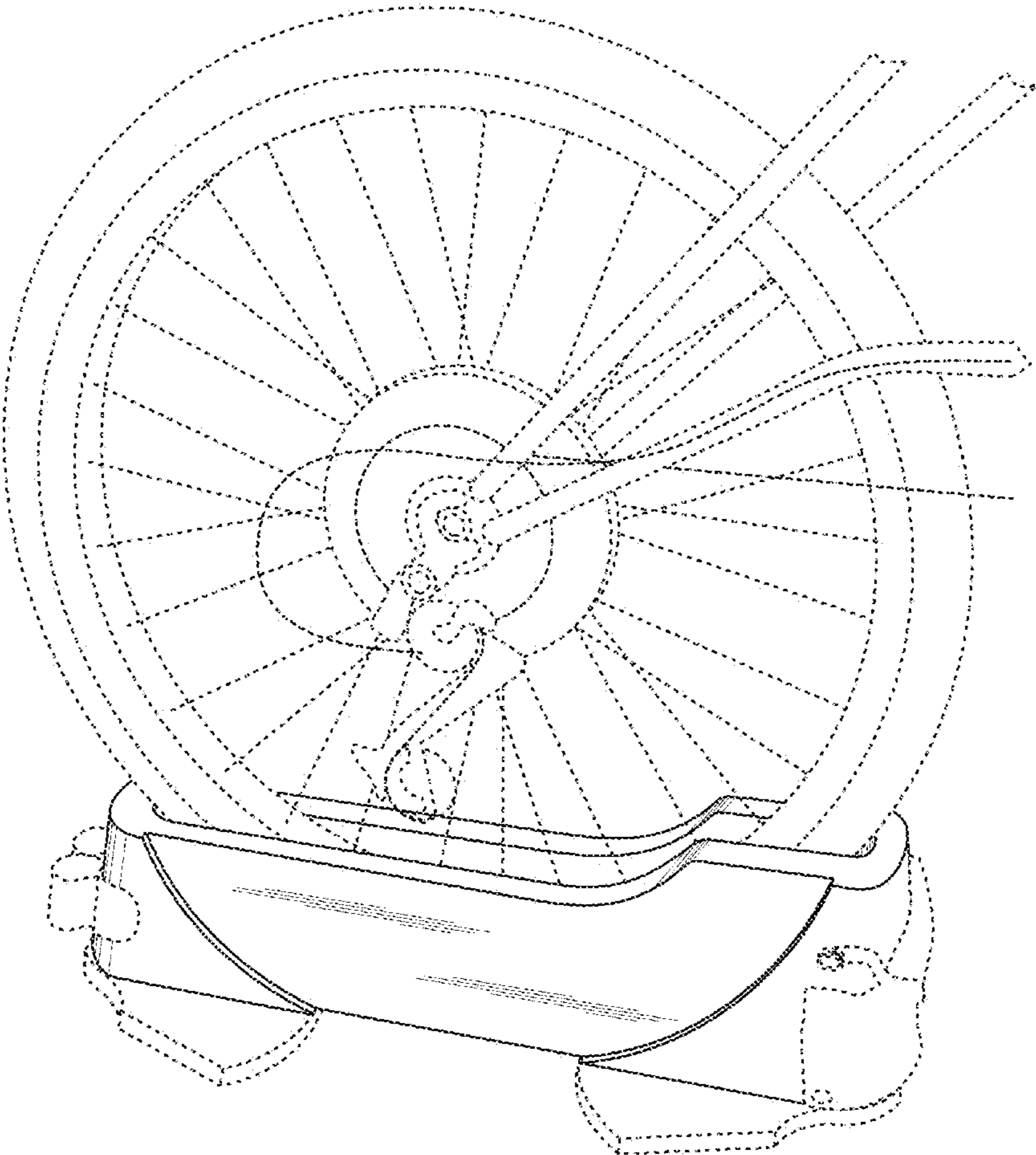


FIG. 8