



US00D669393S

(12) **United States Design Patent**
Lovato

(10) **Patent No.:** **US D669,393 S**
(45) **Date of Patent:** **** Oct. 23, 2012**

(54) **FIVE-WAY BUCKLE ASSEMBLY**

(75) Inventor: **Attilio Lovato**, Turin (IT)

(73) Assignee: **Duraflex Hong Kong Limited**, Hong Kong (HK)

(**) Term: **14 Years**

(21) Appl. No.: **29/382,313**

(22) Filed: **Dec. 31, 2010**

(30) **Foreign Application Priority Data**

Jul. 2, 2010 (CN) 2010 3 0240124

(51) **LOC (9) Cl.** **02-07**

(52) **U.S. Cl.** **D11/216**

(58) **Field of Classification Search** D11/1-2,
D11/200-201, 206-210, 214-218; 24/163 R,
24/169-171, 173, 177-179, 191, 194-195,
24/197, 200, 614-616, 625, 198

See application file for complete search history.

(56) **References Cited**

U.S. PATENT DOCUMENTS

D341,336 S * 11/1993 Stathis D11/216
(Continued)

Primary Examiner — Ralf Seifert

(57) **CLAIM**

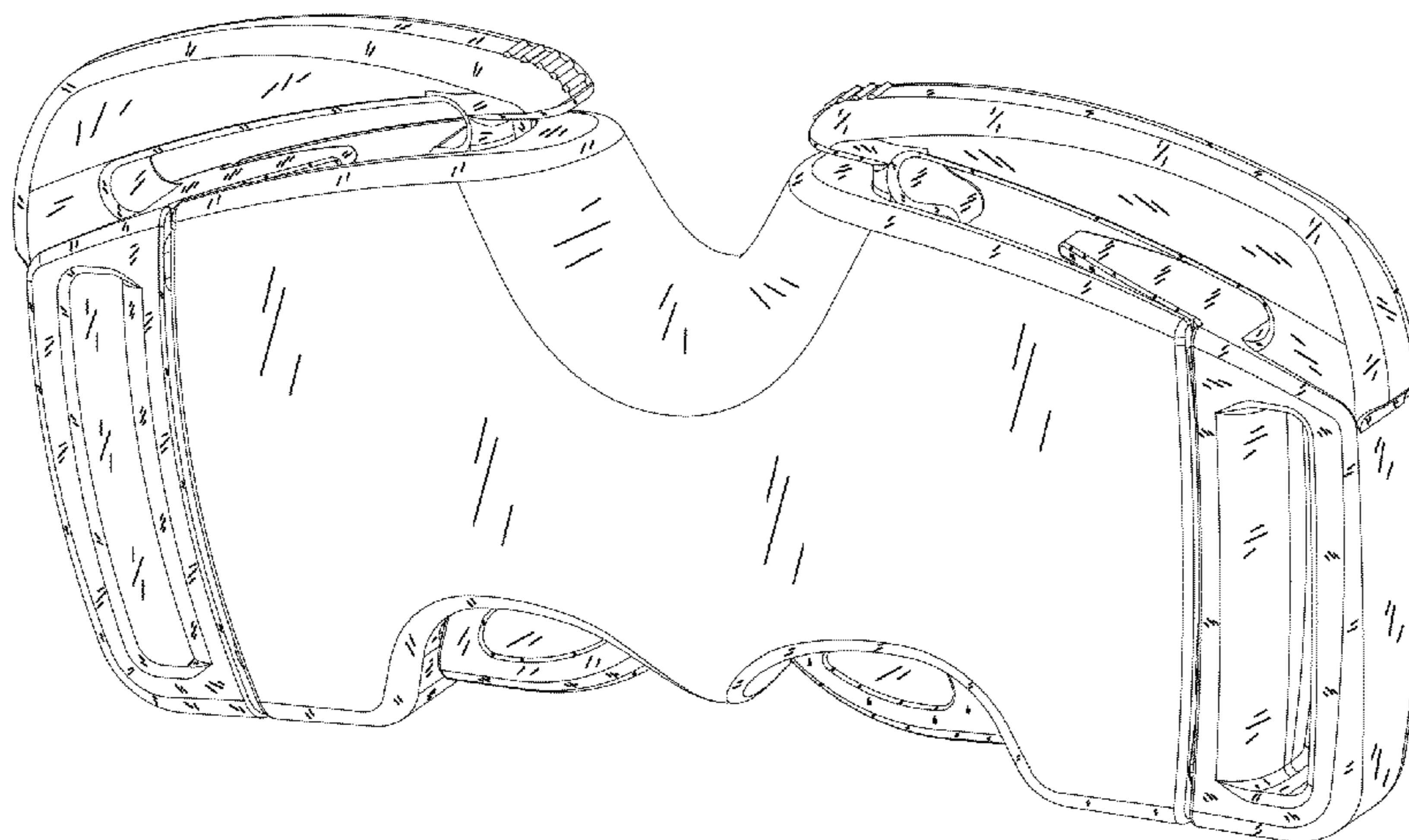
The ornamental design for a five-way buckle assembly, as shown.

DESCRIPTION

FIG. 1 is a front elevational view of a first part of a five-way buckle assembly;
FIG. 2 is a rear elevational view of the first part of the five-way buckle assembly;

FIG. 3 is a bottom plan view of the first part of the five-way buckle assembly;
FIG. 4 is a top plan view of the first part of the five-way buckle assembly;
FIG. 5 is a right side view of the first part of the five-way buckle assembly;
FIG. 6 is a left side view of the first part of the five-way buckle assembly;
FIG. 7 is a perspective view of the first part of the five-way buckle assembly;
FIG. 8 is a front elevational view of a second part of the five-way buckle assembly;
FIG. 9 is a rear elevational view of the second part of the five-way buckle assembly;
FIG. 10 is a left side view of the second part of the five-way buckle assembly;
FIG. 11 is a right side view of the second part of the five-way buckle assembly;
FIG. 12 is a bottom plan view of the second part of the five-way buckle assembly;
FIG. 13 is a top plan view of the second part of the five-way buckle assembly;
FIG. 14 is a perspective view of the second part of the five-way buckle assembly;
FIG. 15 is a front elevational view of a third part of the five-way buckle assembly, where the second part and the third part are symmetric to each other in the five-way buckle assembly;
FIG. 16 is a front elevational view of the five-way buckle assembly;
FIG. 17 is a rear elevational view of the five-way buckle assembly;
FIG. 18 is a bottom plan view of the five-way buckle assembly;
FIG. 19 is a top plan view of the five-way buckle assembly;
FIG. 20 is a right side view of the five-way buckle assembly;
FIG. 21 is a left side view of the five-way buckle assembly;
FIG. 22 is a first perspective view of the five-way buckle assembly; and,
FIG. 23 is a second perspective view of the five-way buckle assembly.

1 Claim, 23 Drawing Sheets



US D669,393 S

Page 2

U.S. PATENT DOCUMENTS

D389,426 S *	1/1998	Merrick et al.	D11/216	D580,820 S *	11/2008	Daykin	D11/216
D393,818 S *	4/1998	Krauss	D11/216	7,669,298 B2 *	3/2010	Chen	24/630
D408,325 S *	4/1999	Krauss	D11/216	D622,179 S *	8/2010	Frye	D11/216
D511,714 S *	11/2005	Pontaoe	D11/216	D632,611 S *	2/2011	Buscart	D11/216
D536,640 S *	2/2007	Kawamura et al.	D11/216	D637,518 S *	5/2011	Chen	D11/216
D552,014 S *	10/2007	Chen et al.	D11/216					

* cited by examiner

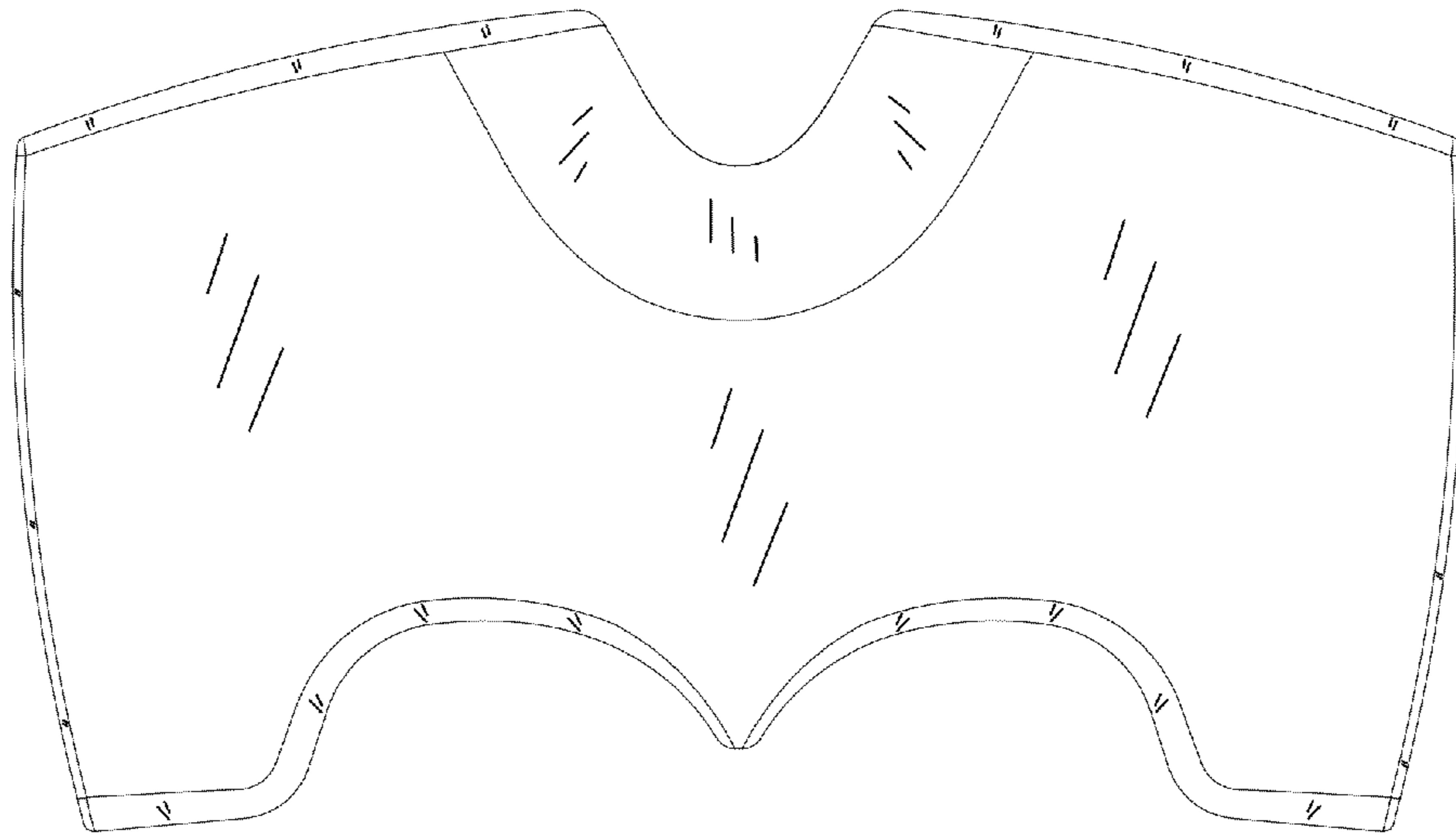


FIG. 1

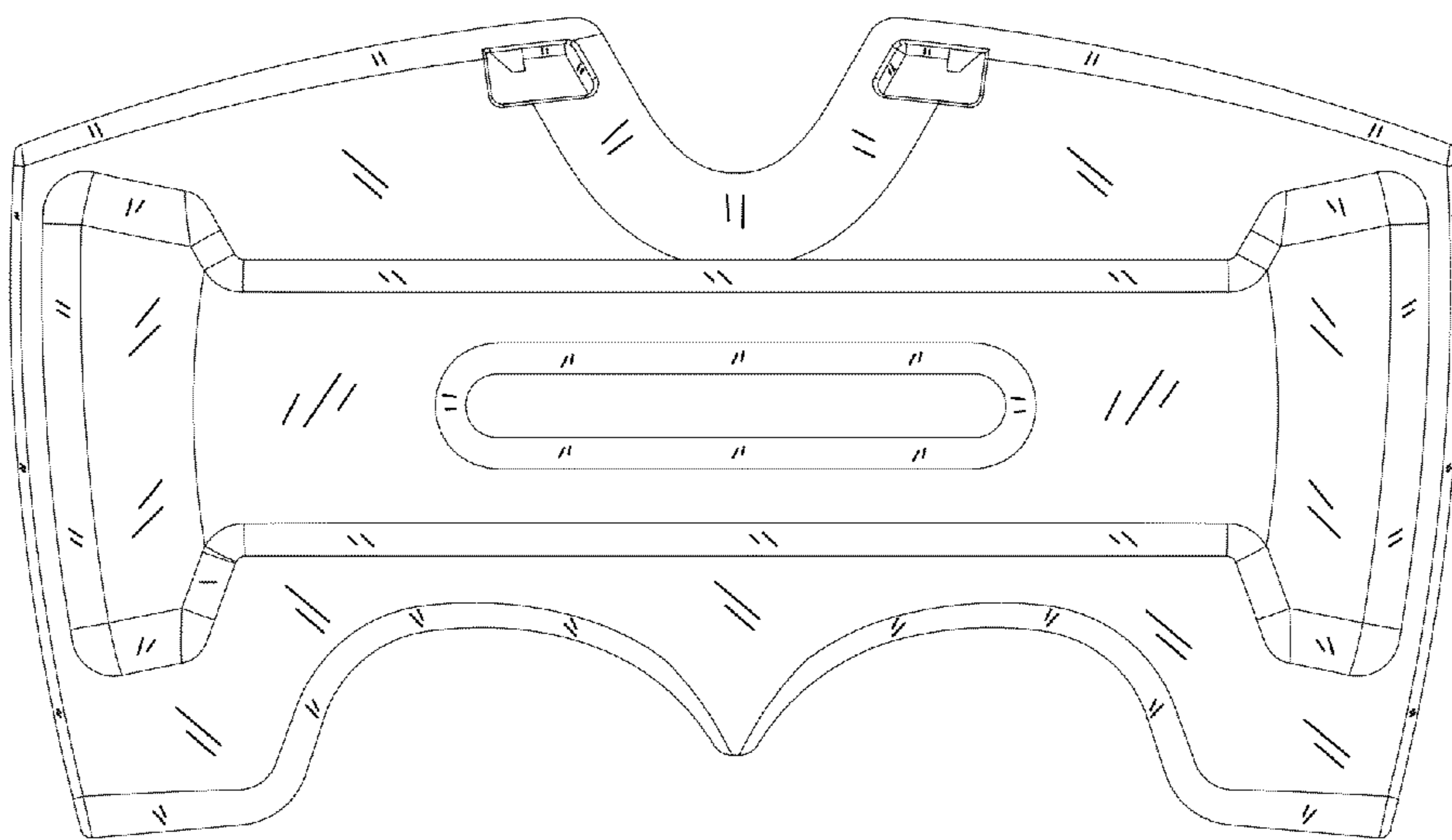


FIG. 2

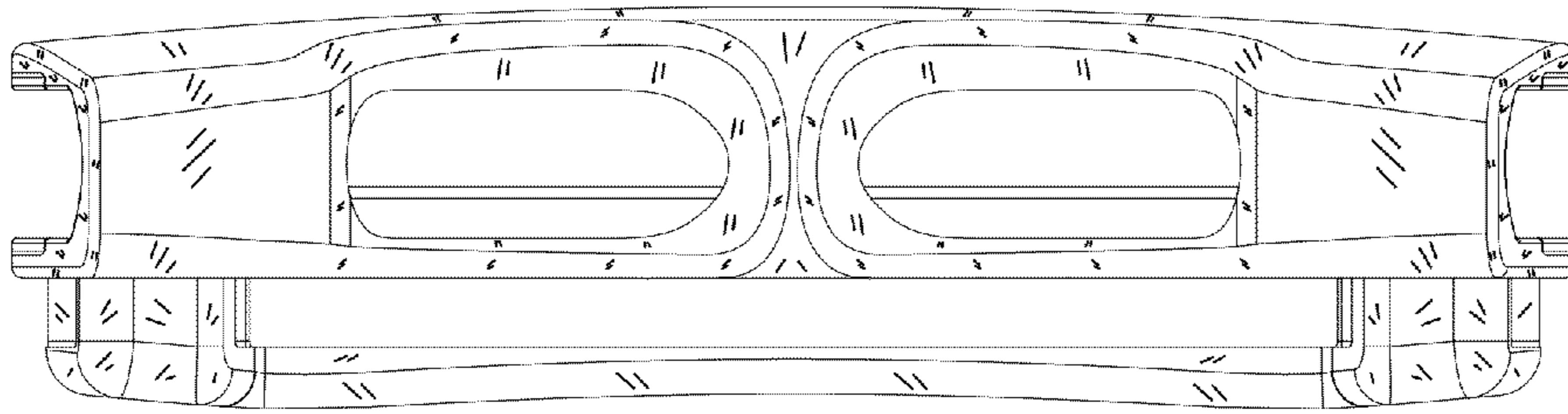


FIG. 3

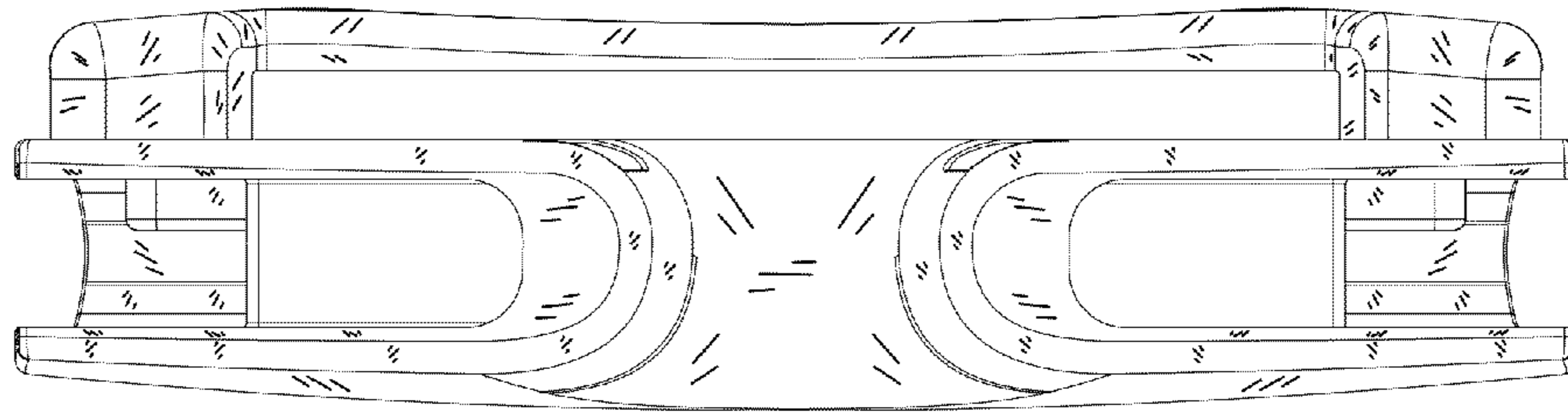


FIG. 4

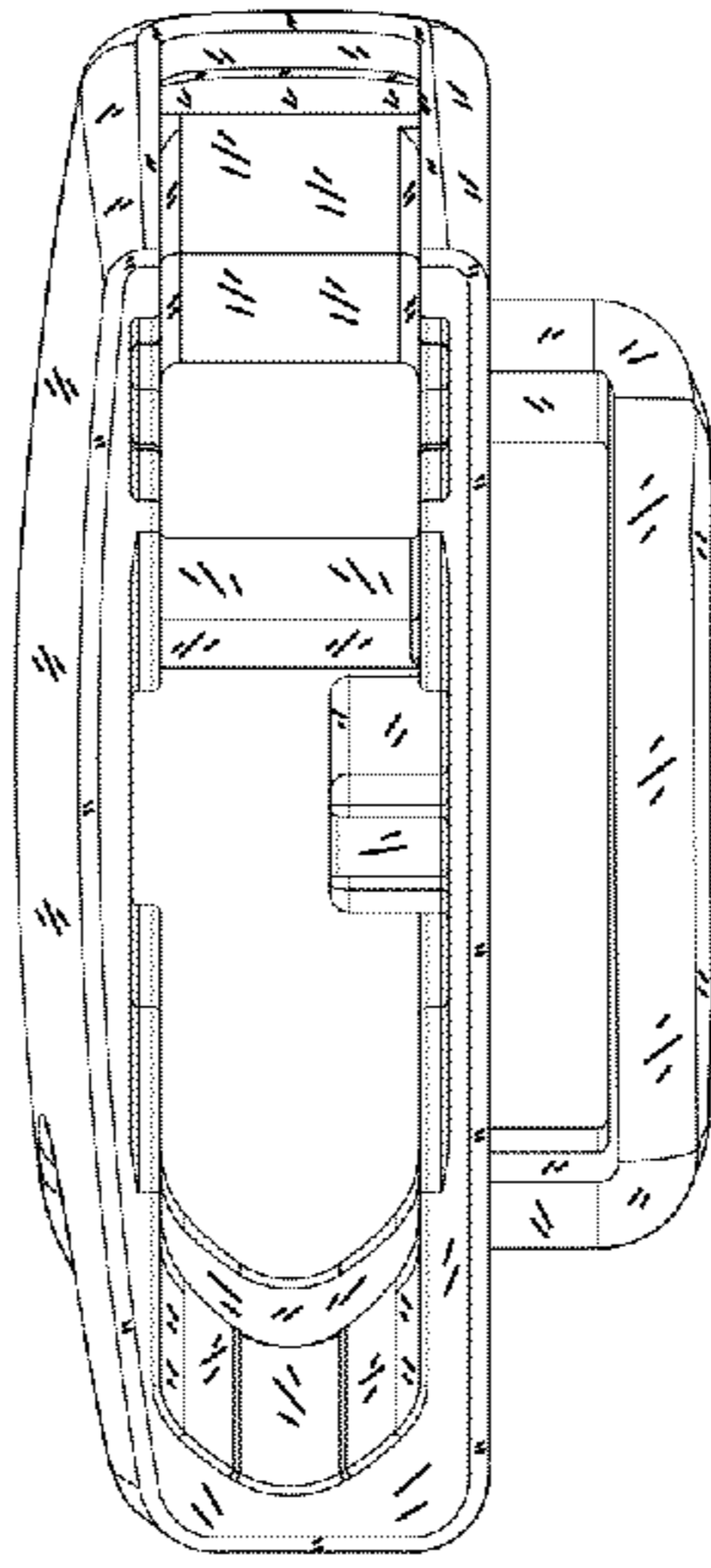


FIG. 5

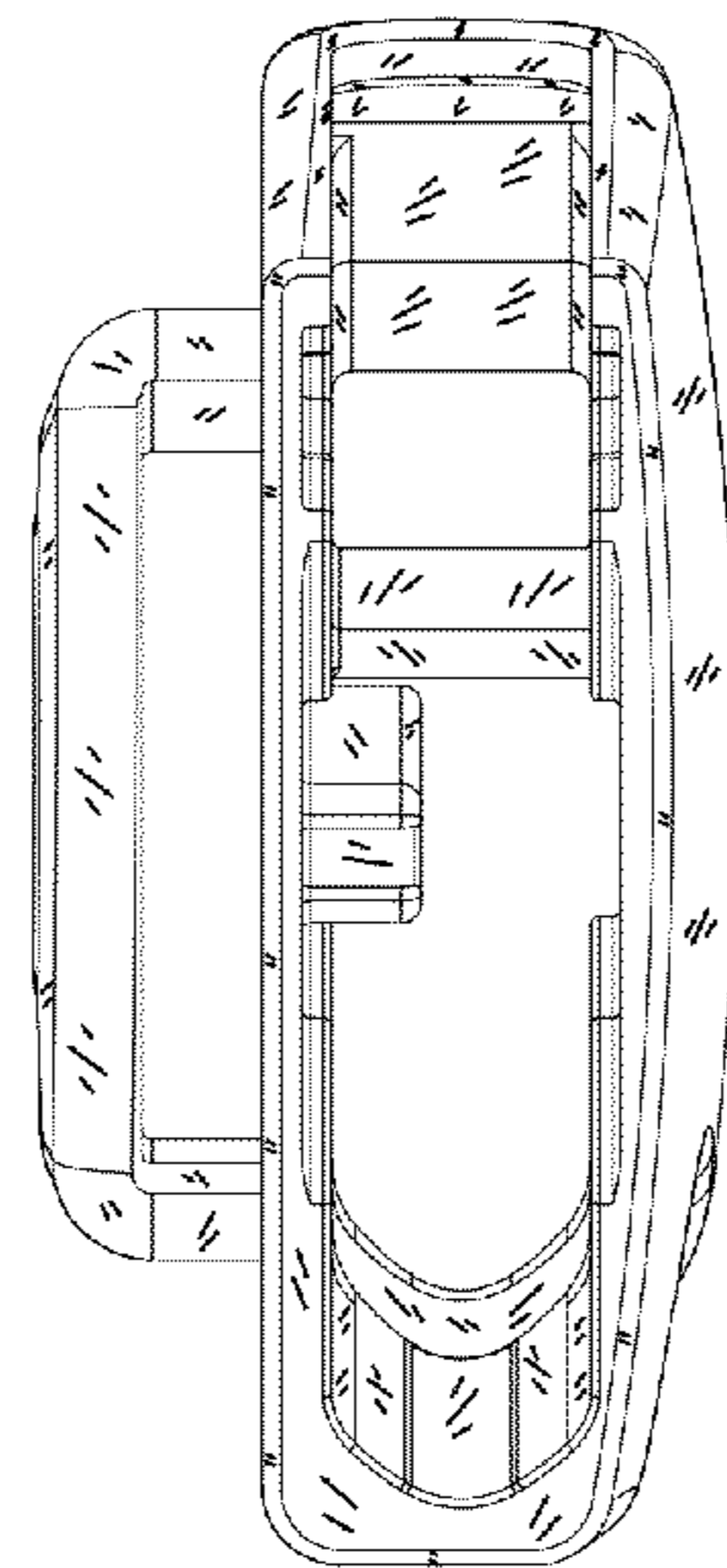


FIG. 6

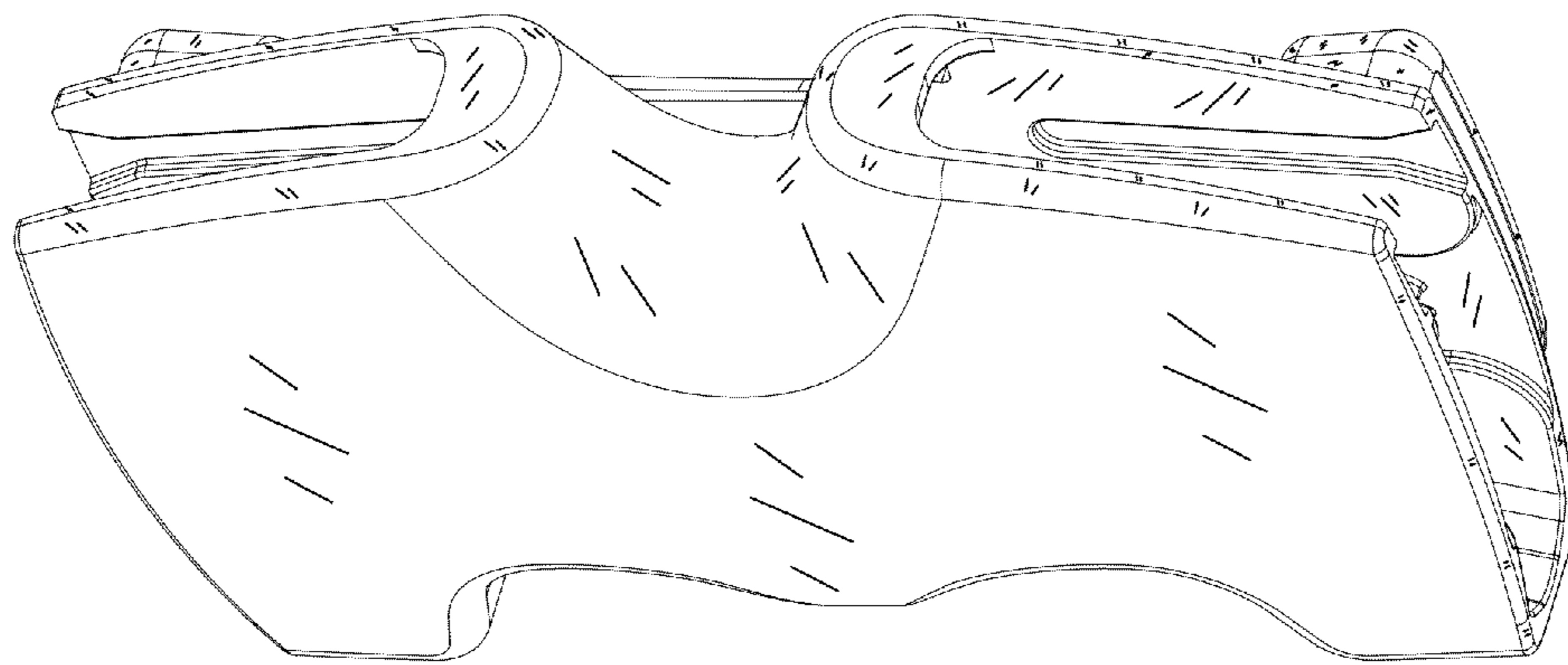


FIG. 7

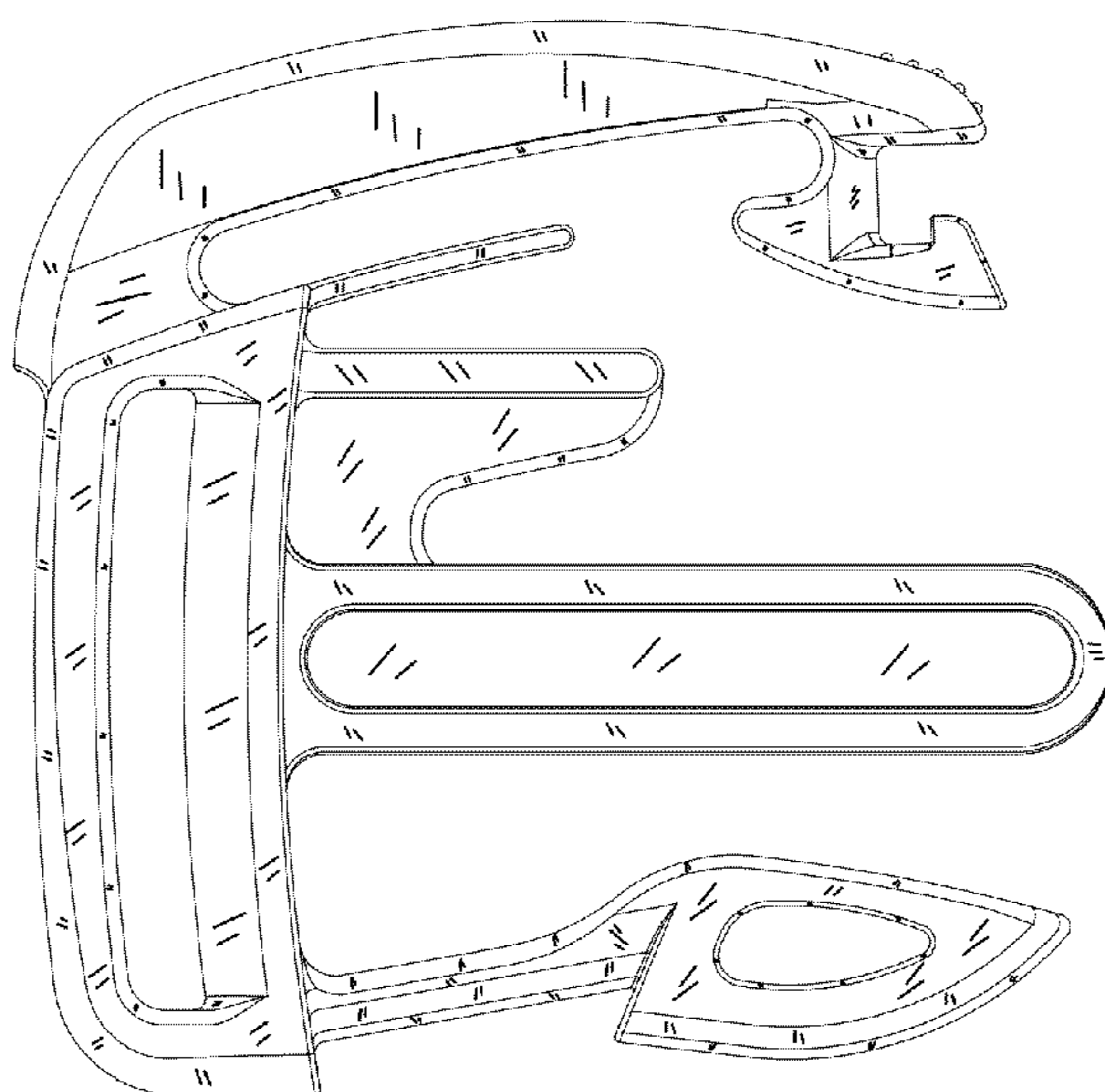


FIG. 8

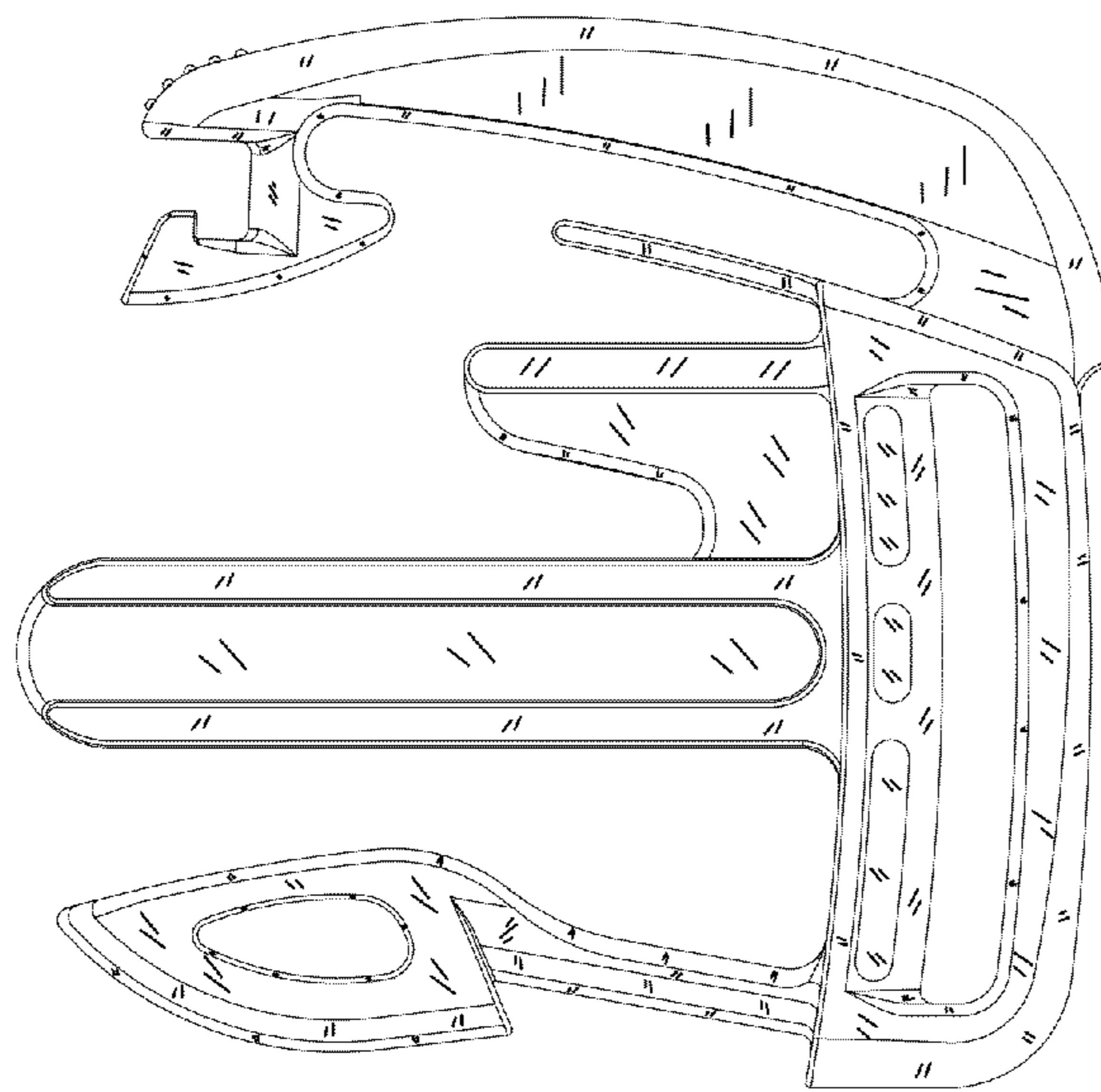


FIG. 9

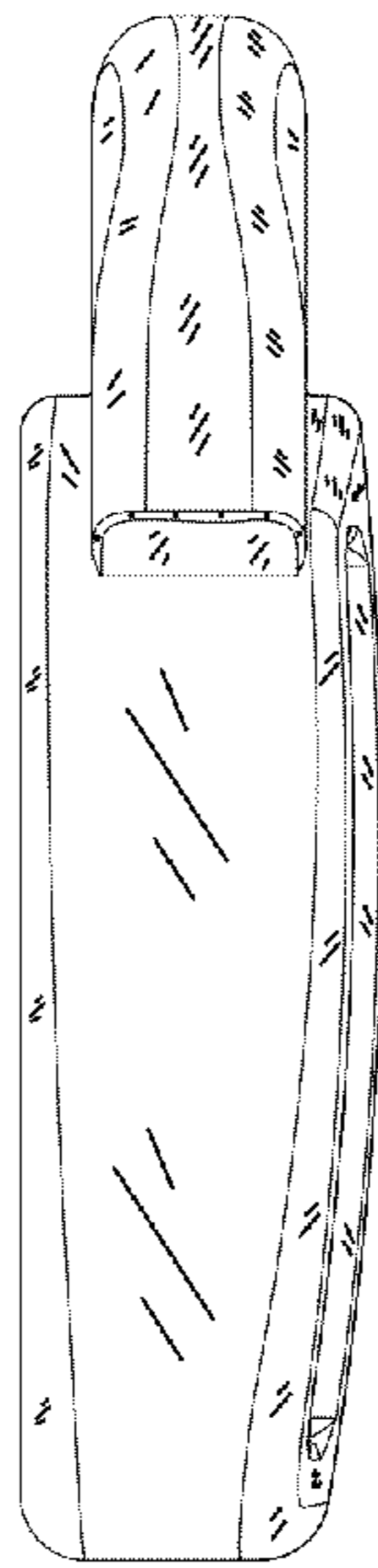


FIG. 10

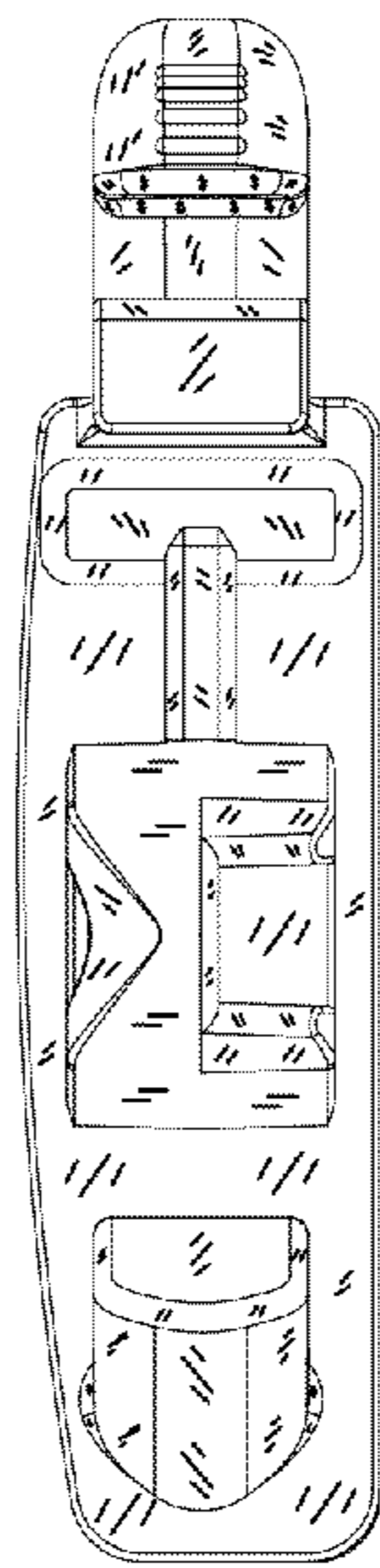


FIG. 11

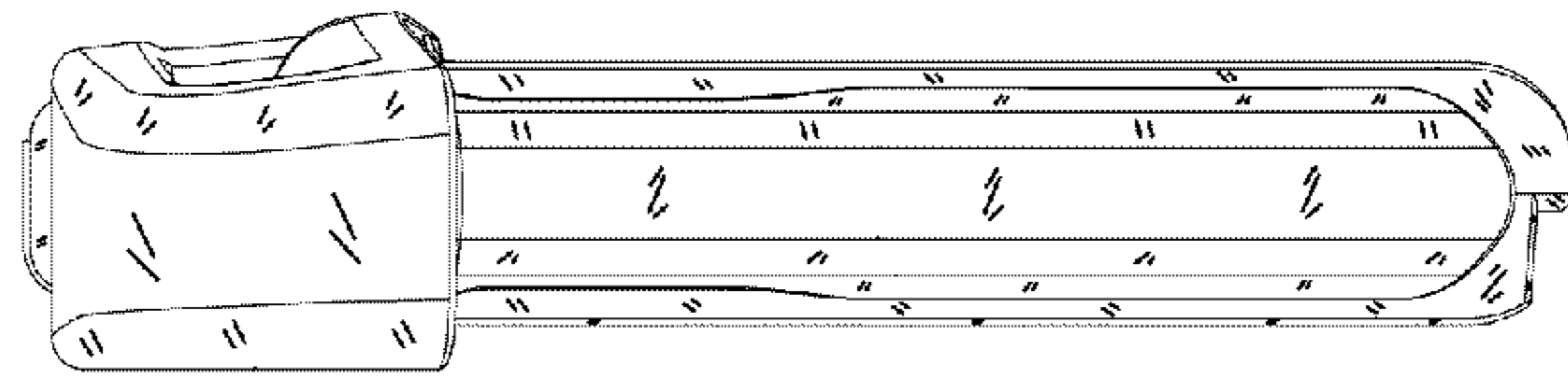


FIG. 12

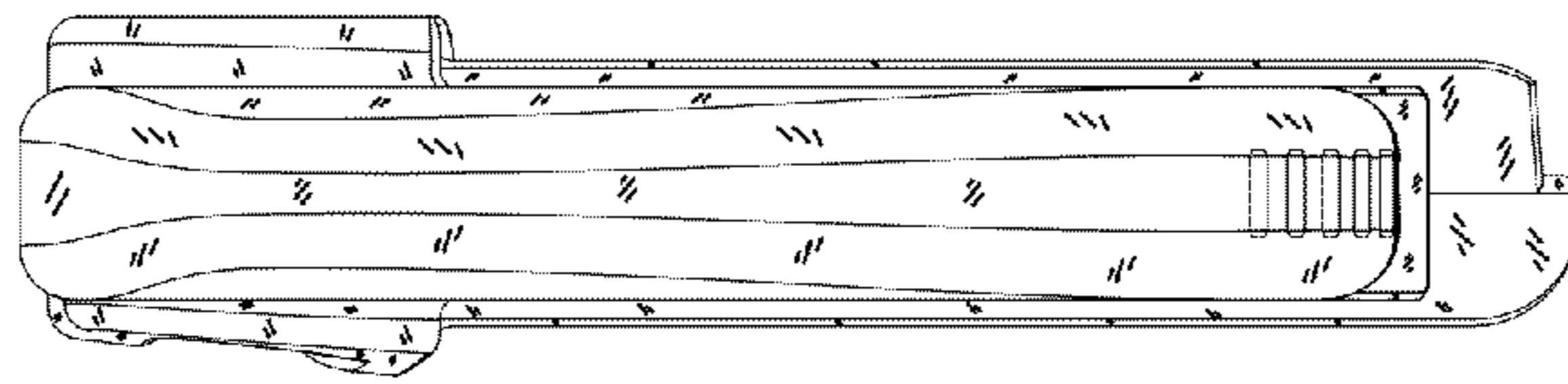


FIG. 13

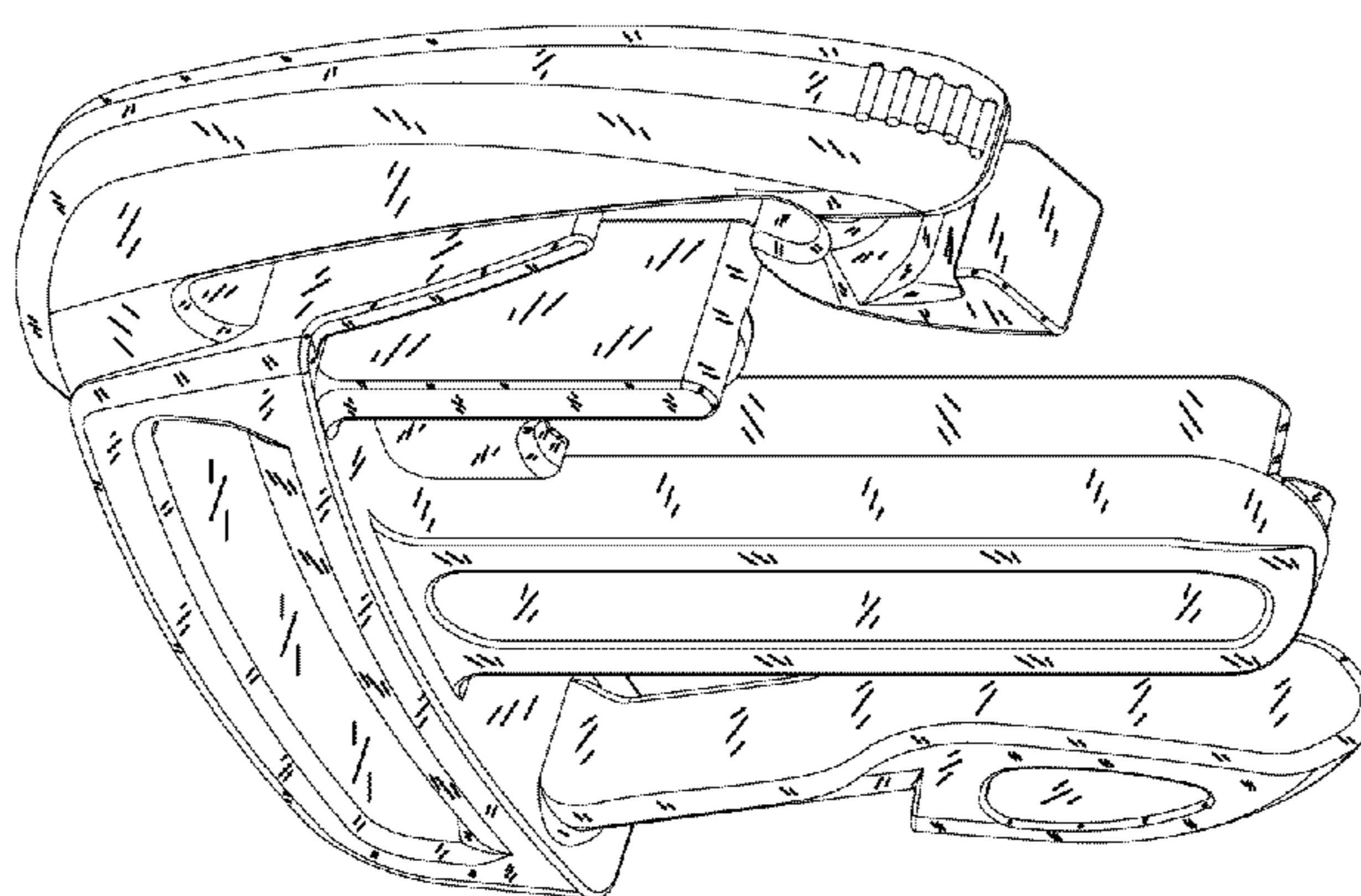


FIG. 14

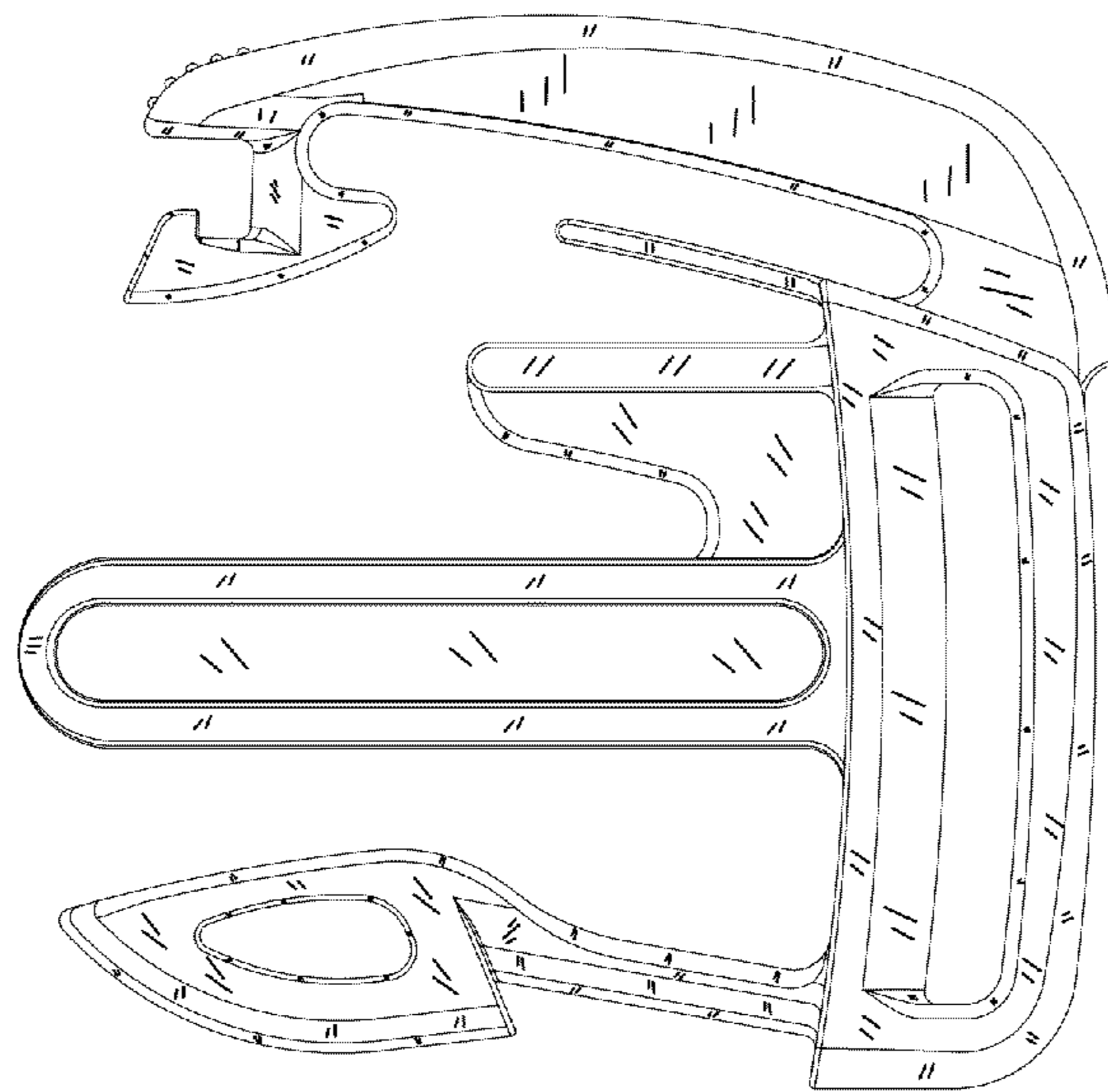


FIG. 15

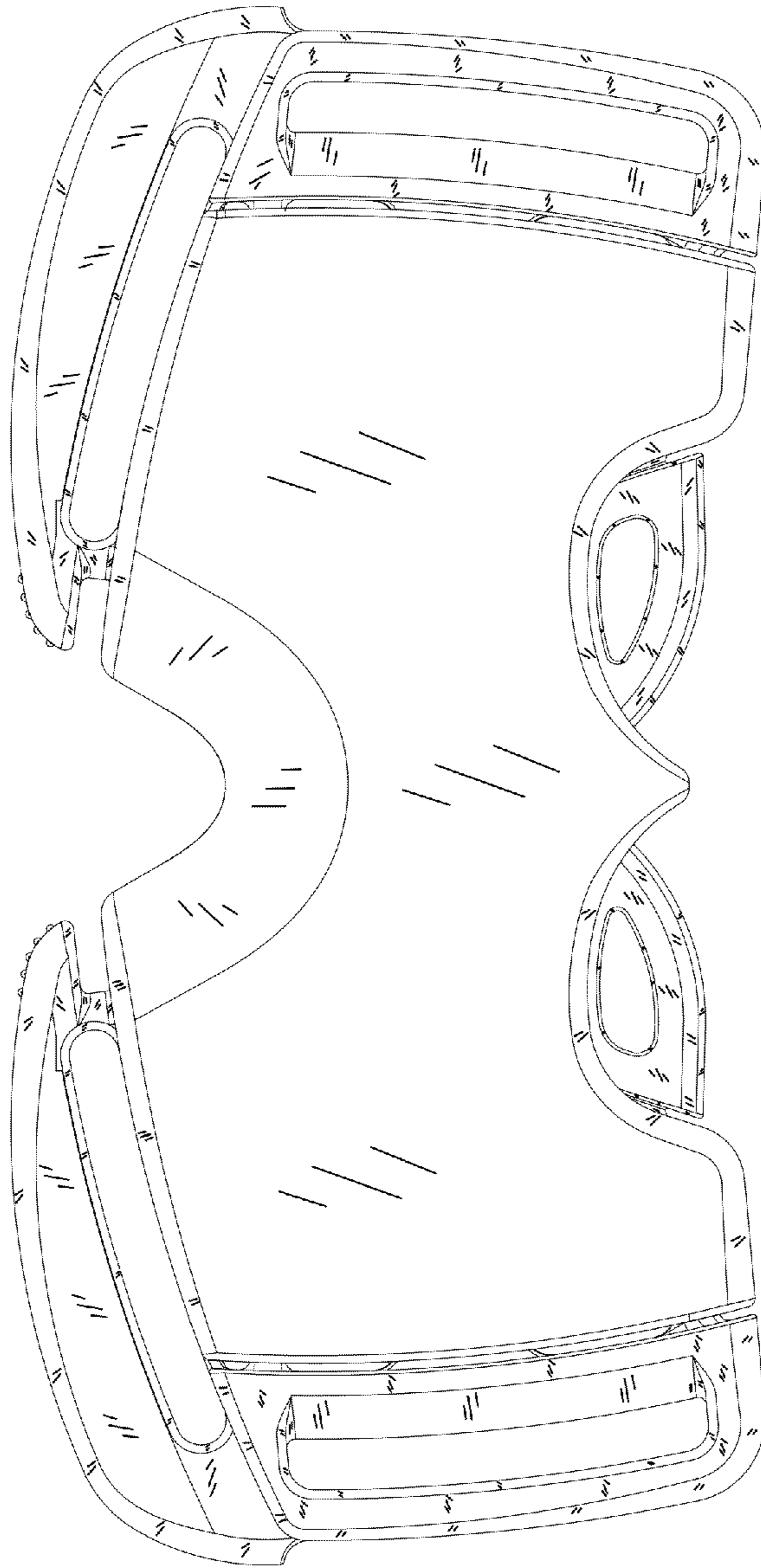


FIG. 16

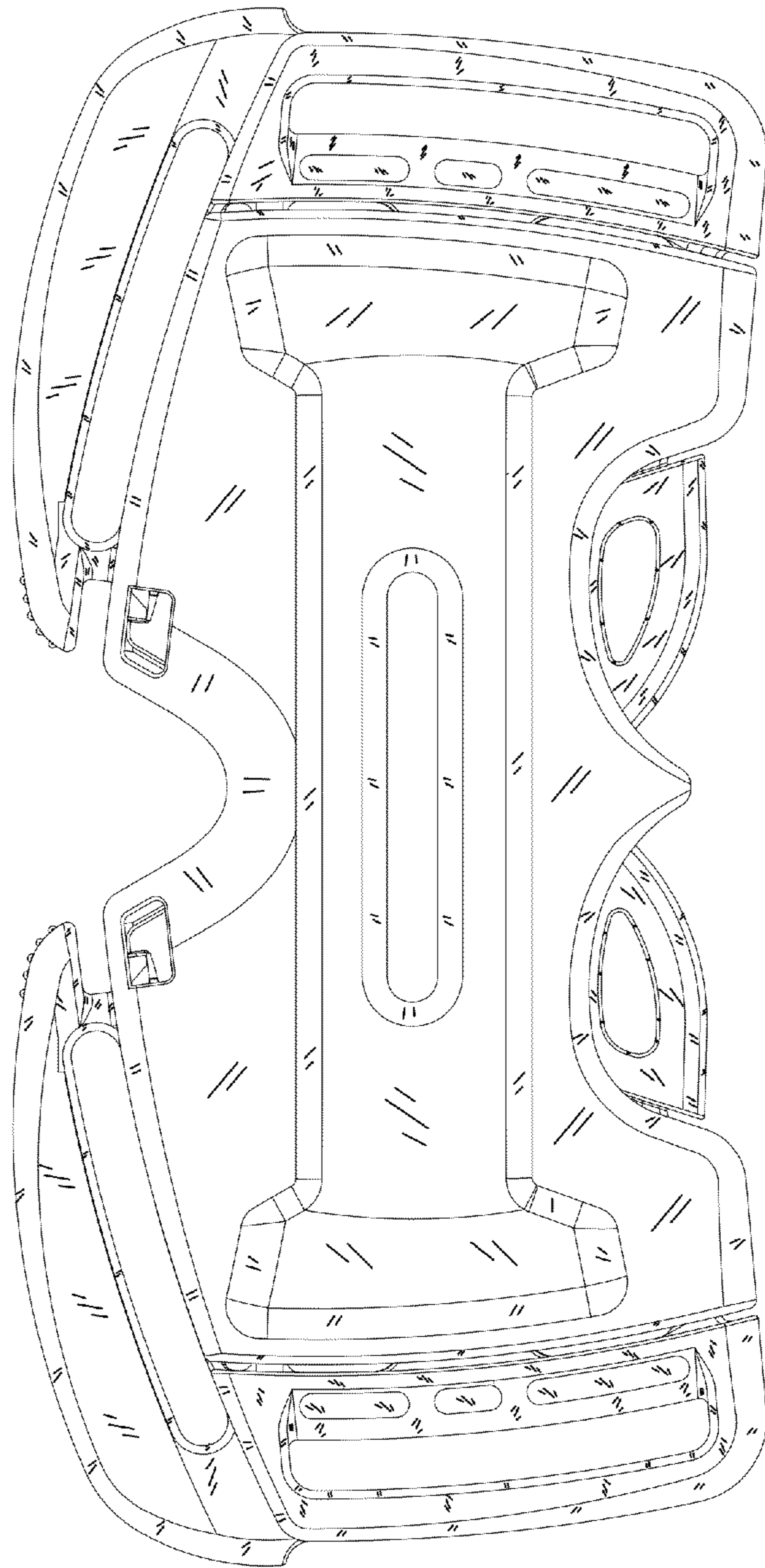


FIG. 17

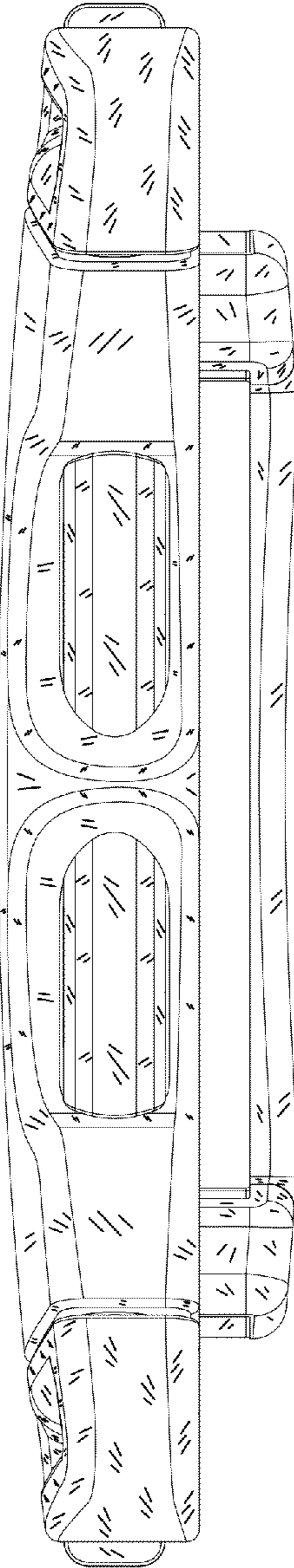


FIG. 18

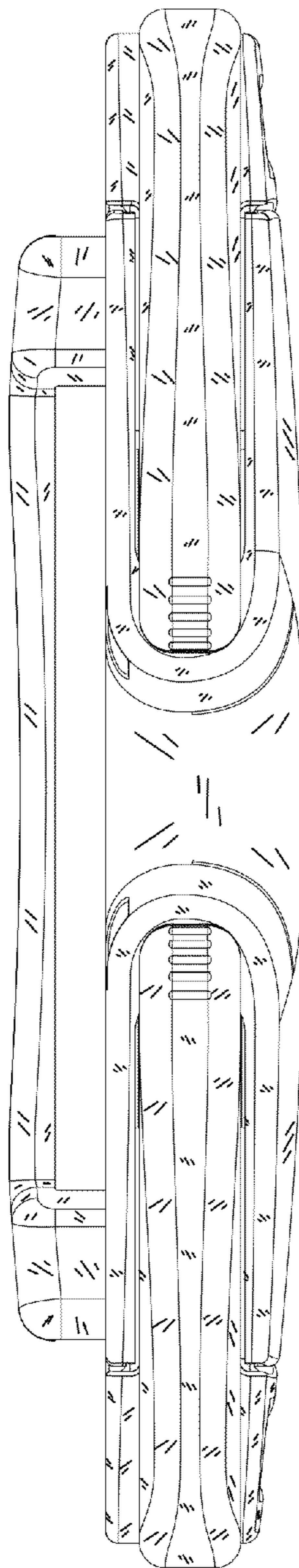


FIG. 19

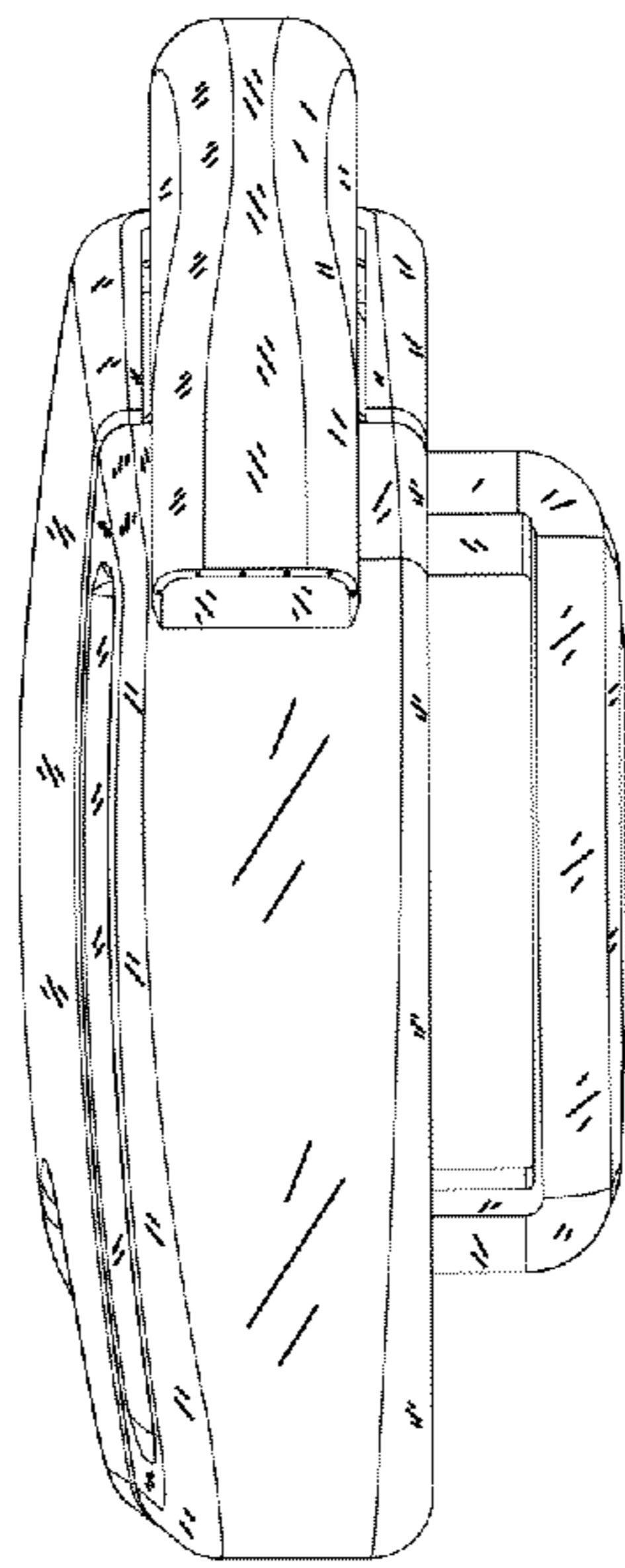


FIG. 20

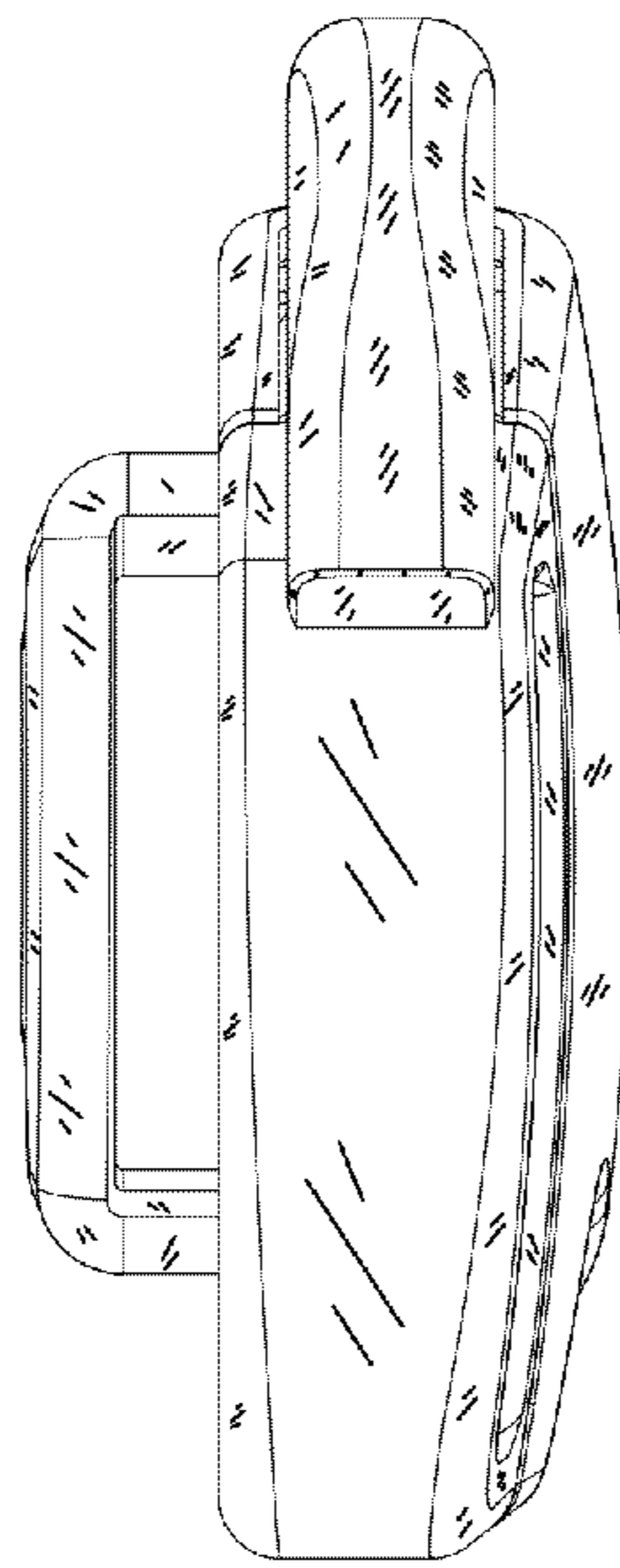


FIG. 21

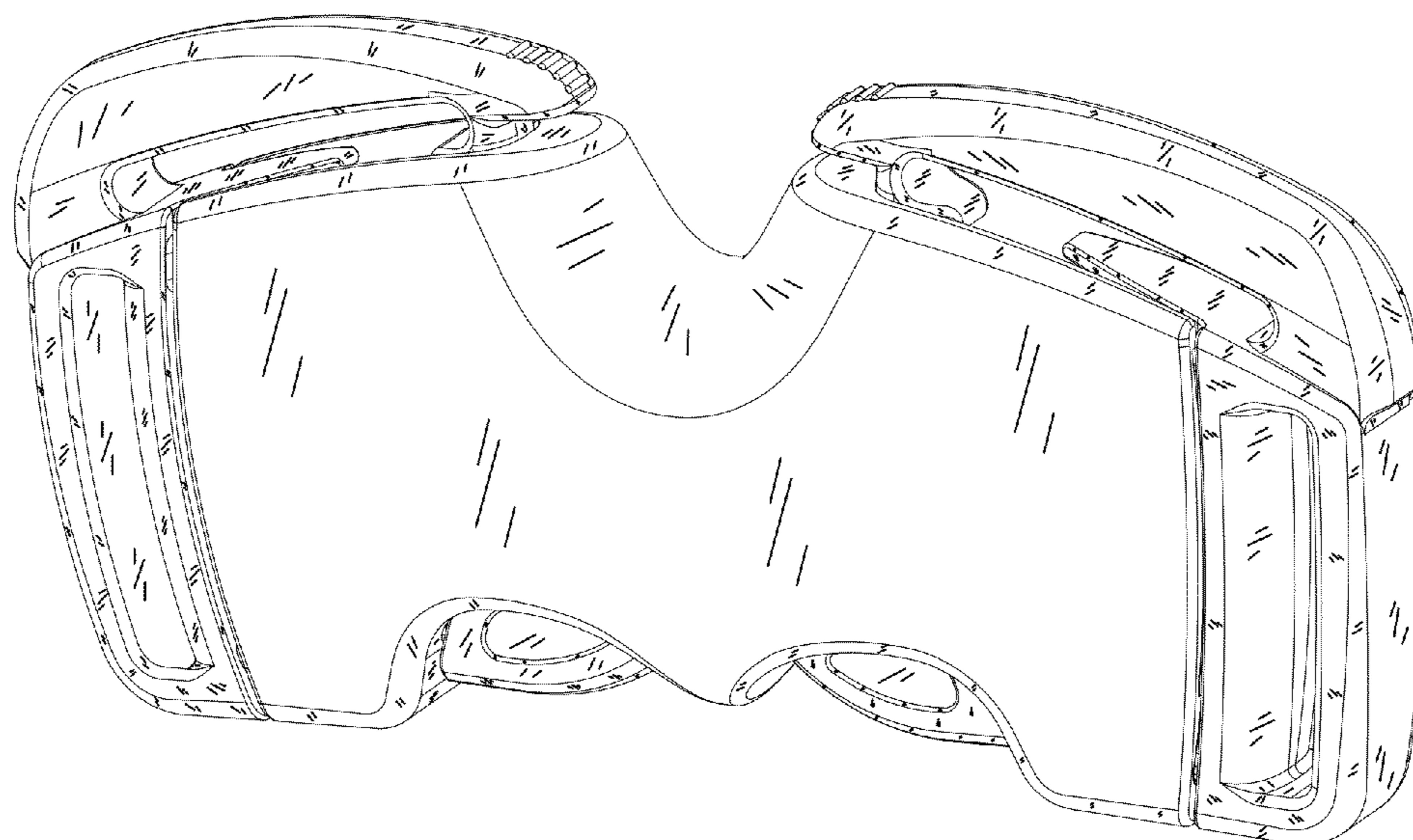


FIG. 22

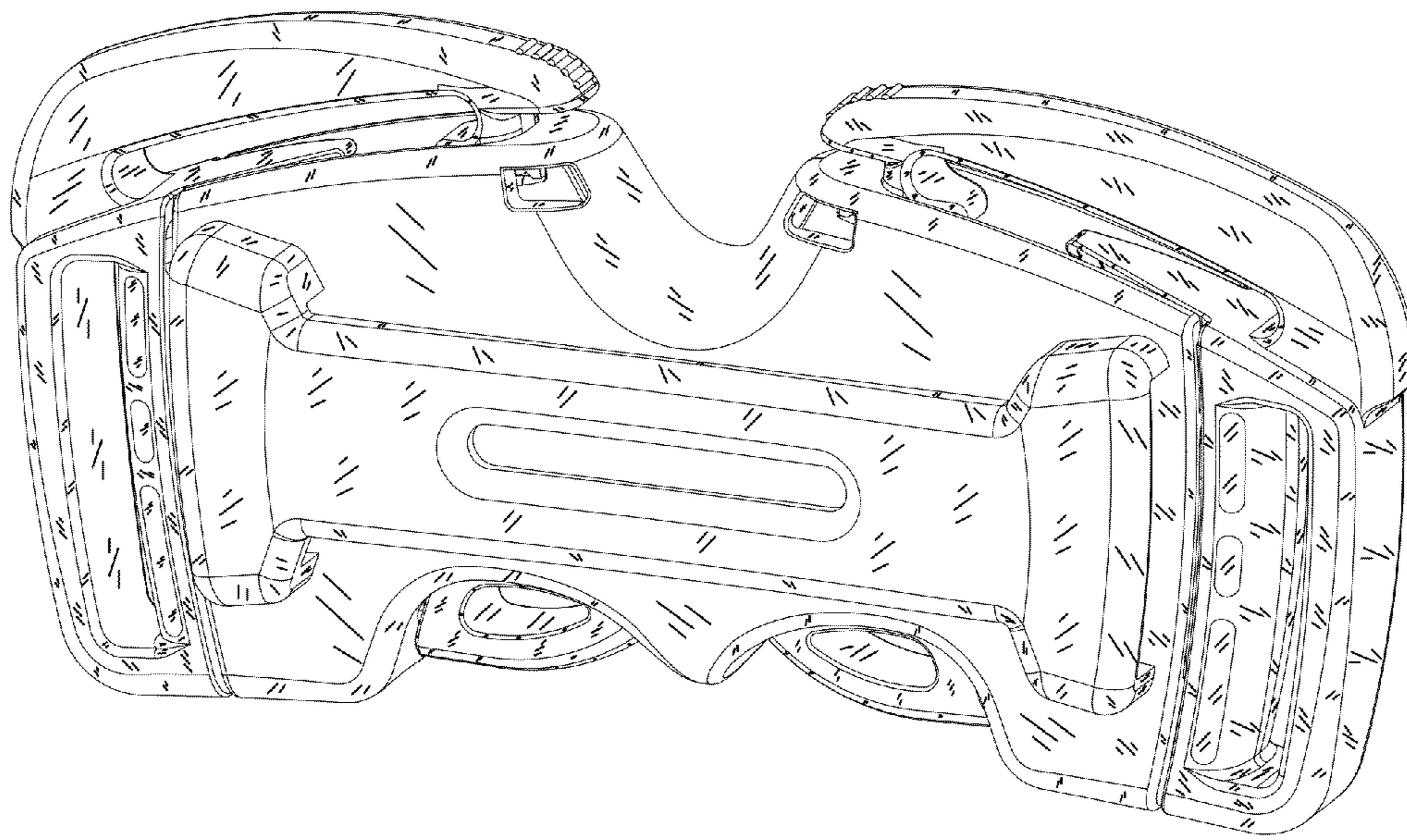


FIG. 23