

US00D669390S

(12) **United States Design Patent**
Wang

(10) **Patent No.:** **US D669,390 S**

(45) **Date of Patent:** **** Oct. 23, 2012**

(54) **SEX SYMBOL KEYRING**

(76) Inventor: **Roger H. Wang**, Orange, CA (US)

(**) Term: **14 Years**

(21) Appl. No.: **29/355,608**

(22) Filed: **Feb. 10, 2010**

D468,091 S *	1/2003	Tipton	D3/212
D506,945 S *	7/2005	Guthrie, III	D11/79
D527,677 S *	9/2006	Cavness	D11/157
D533,179 S *	12/2006	Milstein et al.	D14/480.2
D540,817 S *	4/2007	Milstein	D14/480.2
D569,766 S *	5/2008	Cavness	D11/157
D578,275 S *	10/2008	Shantz et al.	D99/17
D588,901 S *	3/2009	Curtis-Bey	D8/351
D610,481 S *	2/2010	Sandberg	D11/96
D617,768 S *	6/2010	Taghva	D14/203.2
2009/0066026 A1 *	3/2009	Castro	273/296

* cited by examiner

Related U.S. Application Data

(63) Continuation-in-part of application No. 29/354,394, filed on Jan. 22, 2010, now Pat. No. Des. 627,255.

(51) **LOC (9) Cl.** **11-03**

(52) **U.S. Cl.** **D11/99**

(58) **Field of Classification Search** D11/95-99,
D11/116, 184, 1, 8, 26-29, 79-81, 166, 155,
D11/103, 222, 66, 104, 108, 13, 133, 172,
D11/25, 40-44, 56, 11, 157; 63/1.11, 1.12,
63/1.13, 1.14, 1.16, 1.18, 13, 14.1, 26-28,
63/32, 35, 39; D3/207-212; D99/17; 273/296,
273/336; D8/351; D14/203.2, 480.02; D10/114.1
See application file for complete search history.

Primary Examiner — T. Chase Nelson

Assistant Examiner — Mark Cavanna

(74) *Attorney, Agent, or Firm* — QuickPatents, Inc.; Kevin Prince

(56) **References Cited**

U.S. PATENT DOCUMENTS

D226,955 S *	5/1973	Herbely	D11/96
3,977,678 A *	8/1976	Hedberg	273/336
D334,725 S *	4/1993	White	D11/81
D404,680 S *	1/1999	Kahn	D11/95
D411,965 S *	7/1999	Ruegg, Sr.	D11/40
D422,524 S *	4/2000	Tam	D10/114.1
D455,545 S *	4/2002	Chan	D3/209

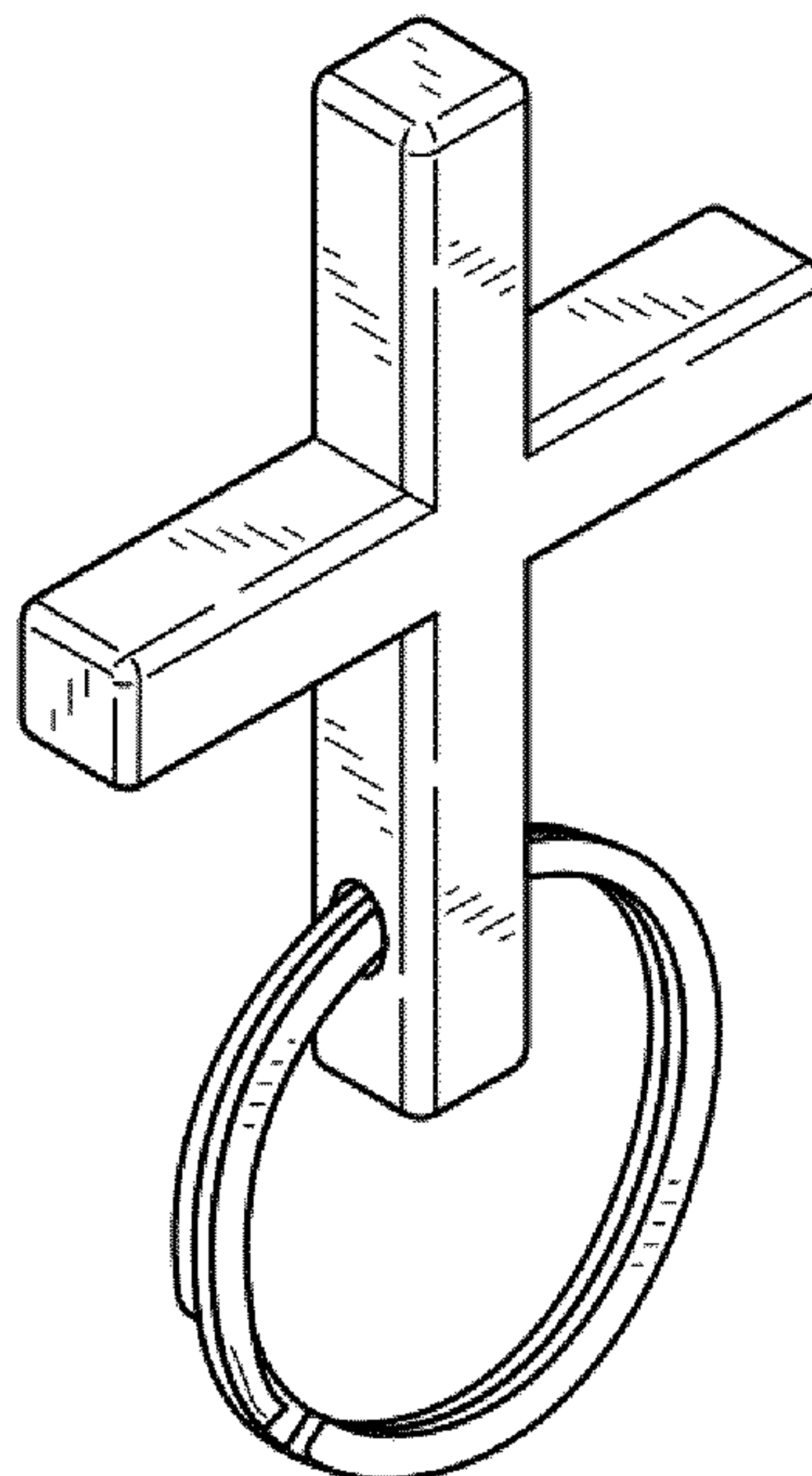
(57) **CLAIM**

What is claimed is the ornamental design for sex symbol keyring, as shown and described.

DESCRIPTION

FIG. 1 is a perspective view of a sex symbol keyring showing my new design;
FIG. 2 is a front elevational view thereof;
FIG. 3 is a rear elevational view thereof;
FIG. 4 is a right-side elevational view thereof;
FIG. 5 is a left-side elevational view thereof;
FIG. 6 is a top plan view thereof; and,
FIG. 7 is a bottom plan view thereof.

1 Claim, 1 Drawing Sheet



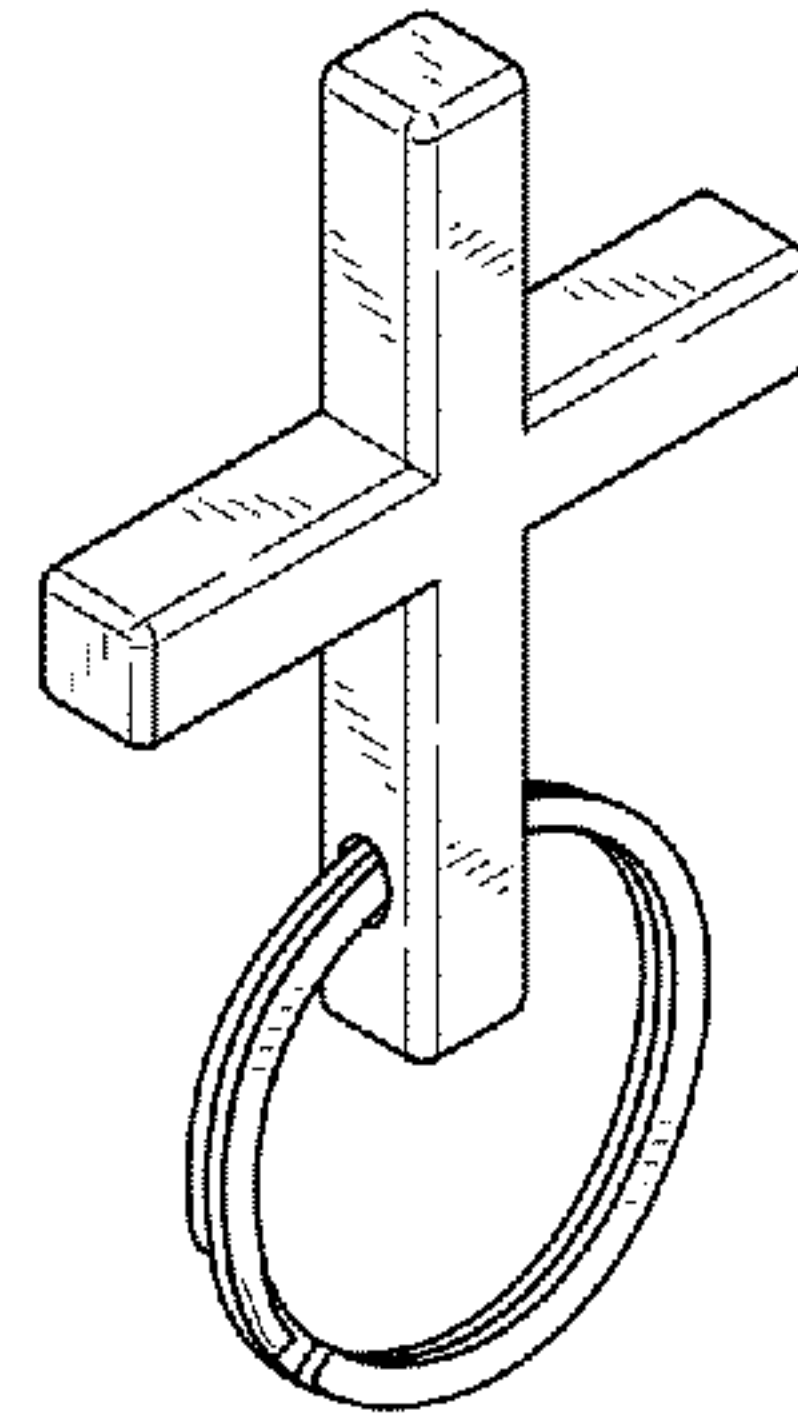


FIG. 1

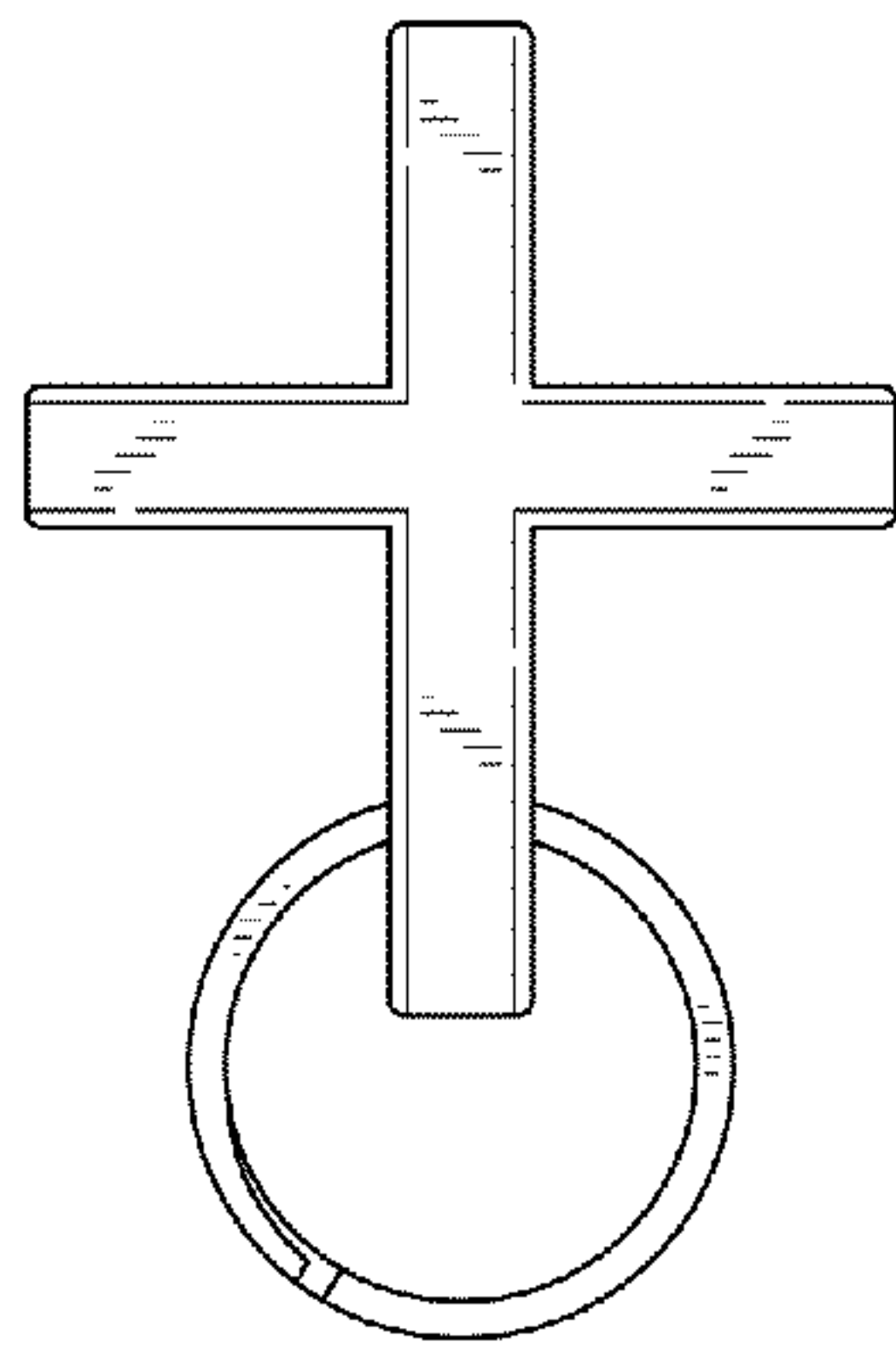


FIG. 2

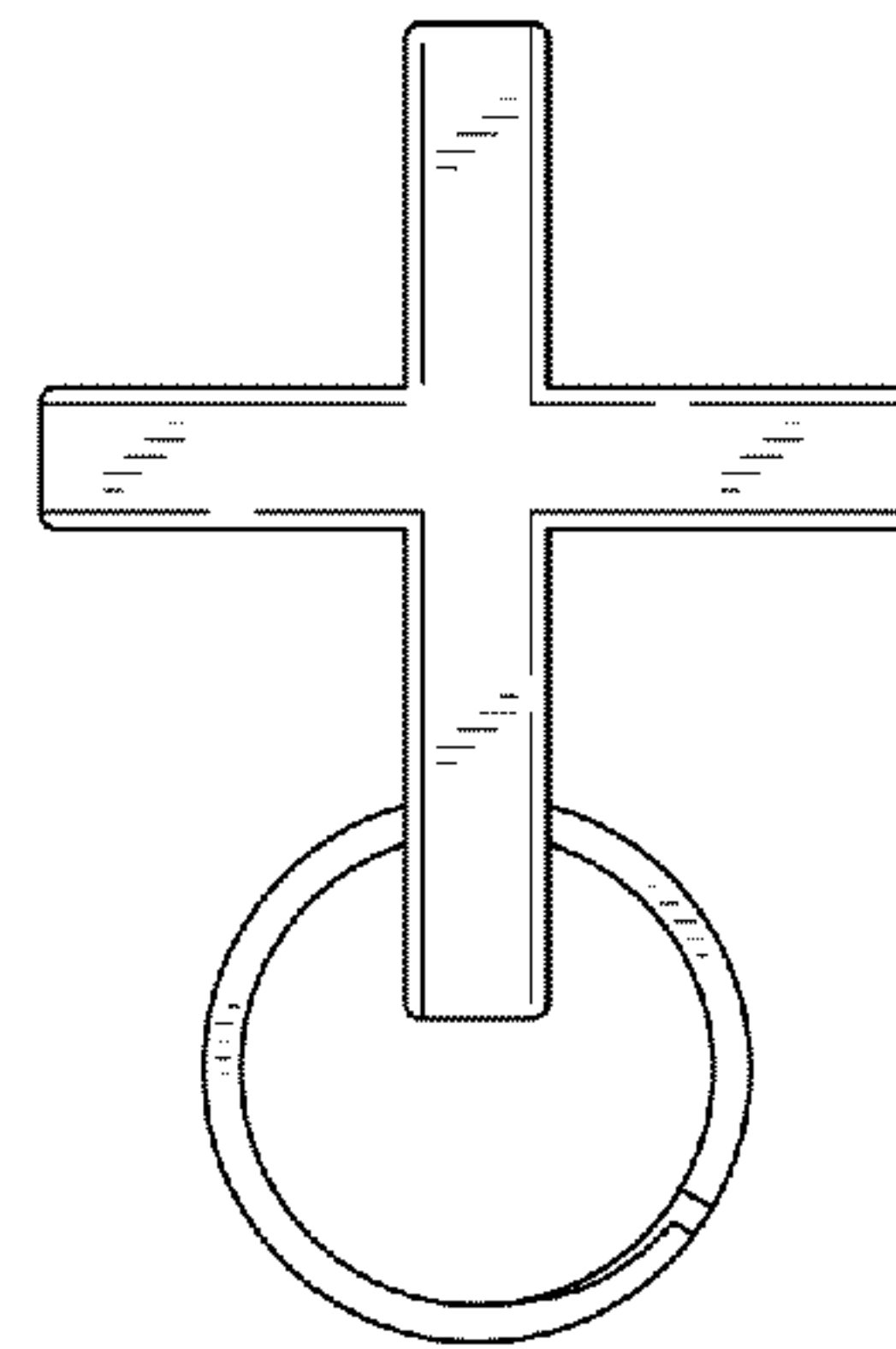


FIG. 3



FIG. 4



FIG. 5

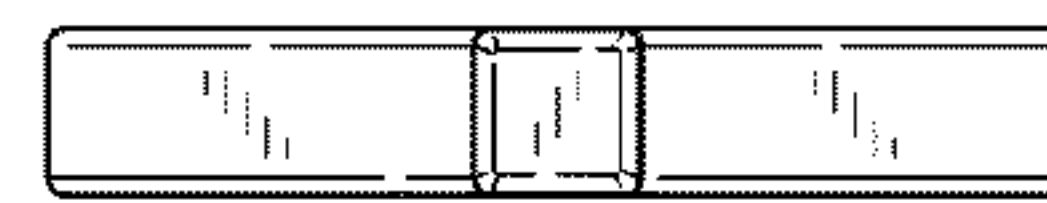


FIG. 6

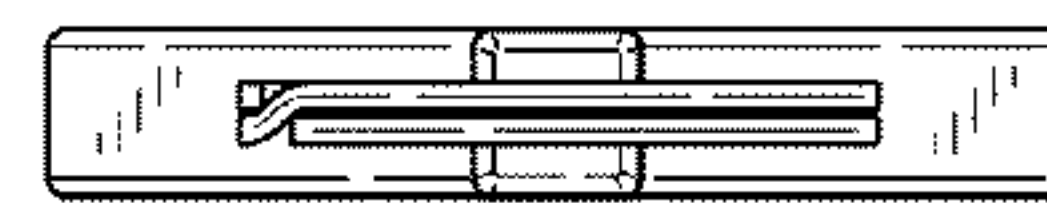


FIG. 7