

US00D669389S

(12) **United States Design Patent**  
**Maier**

(10) **Patent No.:** **US D669,389 S**  
(45) **Date of Patent:** **\*\* Oct. 23, 2012**

(54) **WATCHBAND CLASP**

(75) Inventor: **Tomas Maier**, Delray Beach, FL (US)

(73) Assignee: **Bottega Veneta International S.A.R.L.**,  
Luxembourg (LU)

(\*\*) Term: **14 Years**

(21) Appl. No.: **29/380,041**

(22) Filed: **Nov. 30, 2010**

(30) **Foreign Application Priority Data**

May 31, 2010 (WO) ..... DM/073 694

(51) **LOC (9) Cl.** ..... **11-01**

(52) **U.S. Cl.** ..... **D11/94**

(58) **Field of Classification Search** ..... D11/1,  
D11/3-5, 18-20, 22-26, 93, 94, 86, 87, 200;  
24/71 J, 71 R, 69 J, 265 WS, 265 B; 63/3,  
63/3.1, 21; 224/164, 165, 174, 179  
See application file for complete search history.

(56) **References Cited**

**U.S. PATENT DOCUMENTS**

4,564,982 A \* 1/1986 Paolini ..... 24/71 J  
D390,803 S \* 2/1998 Giardiello ..... D11/87  
5,781,968 A \* 7/1998 Widmer ..... 24/71 J  
6,311,373 B1 \* 11/2001 Hashimoto ..... 24/265 WS

D470,791 S \* 2/2003 Modolo ..... D11/94  
D639,201 S \* 6/2011 Cole ..... D11/87  
2004/0168285 A1 \* 9/2004 Chan ..... 24/265 WS

\* cited by examiner

*Primary Examiner* — Cathron Brooks

*Assistant Examiner* — Melanie Pellegrini

(74) *Attorney, Agent, or Firm* — Lucas & Mercanti, LLP

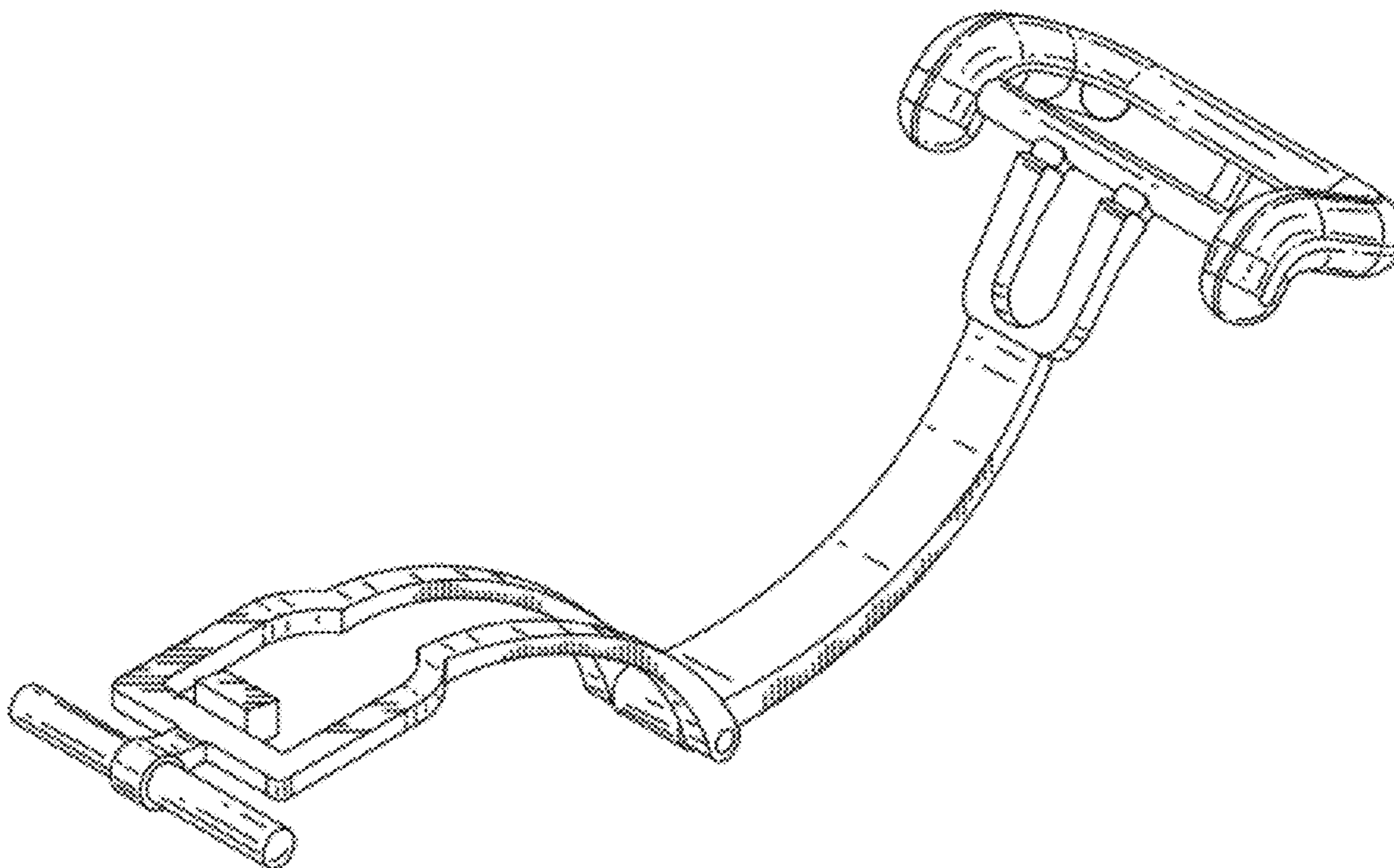
(57) **CLAIM**

The ornamental design for a watchband clasp, as shown and described.

**DESCRIPTION**

FIG. 1 is a perspective view of a first embodiment of a watchband clasp;  
FIG. 2 is a top view thereof;  
FIG. 3 is a bottom view thereof;  
FIG. 4 is a right side view thereof;  
FIG. 5 is a left side view thereof;  
FIG. 6 is a front view thereof;  
FIG. 7 is a perspective view of the watchband clasp of FIG. 1, shown in a closed configuration;  
FIG. 8 is a right side view thereof;  
FIG. 9 is a left side view thereof;  
FIG. 10 is a front view thereof;  
FIG. 11 is a rear view thereof;  
FIG. 12 is a top view thereof; and,  
FIG. 13 is a bottom view thereof.

**1 Claim, 13 Drawing Sheets**



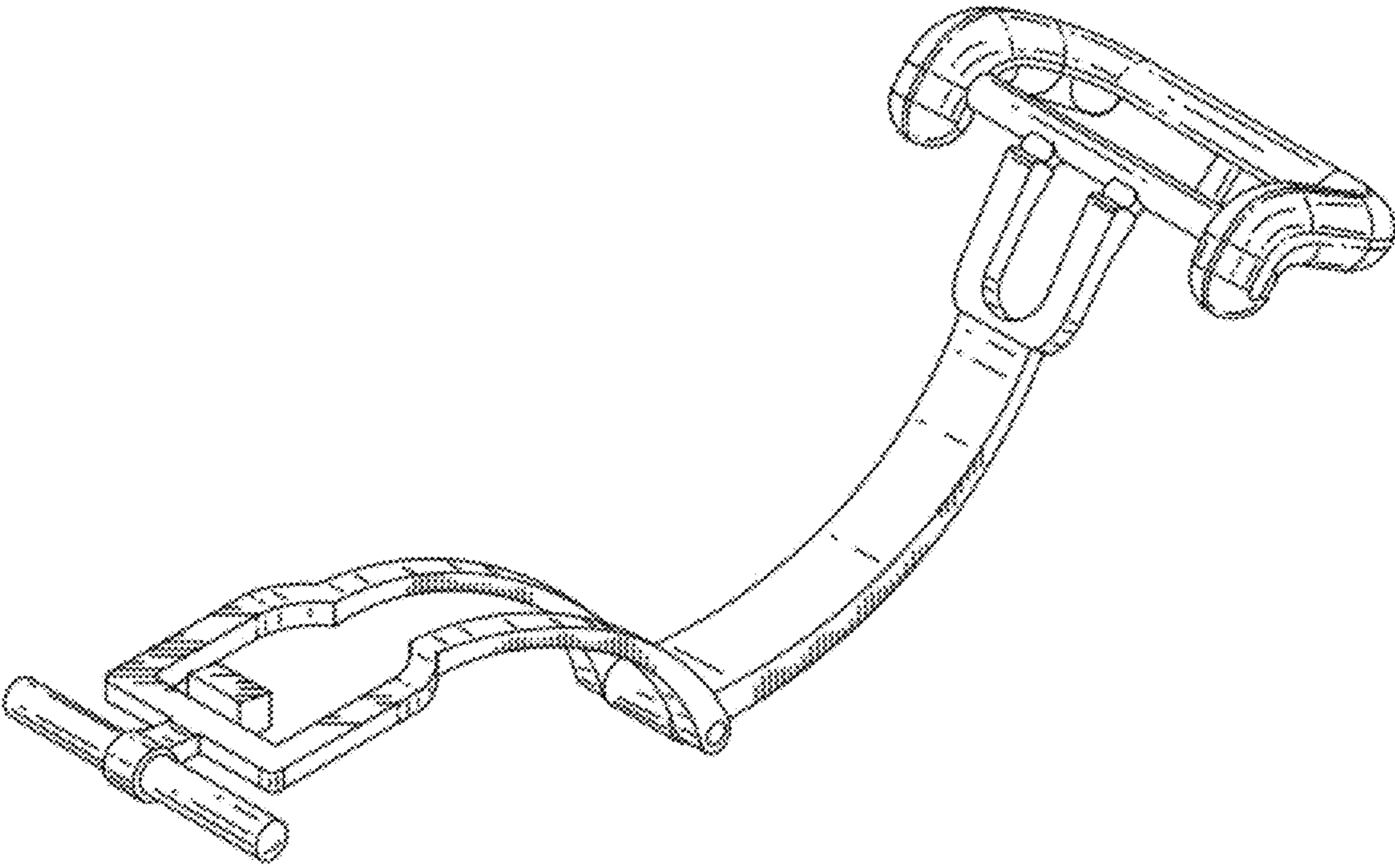


FIG. 1

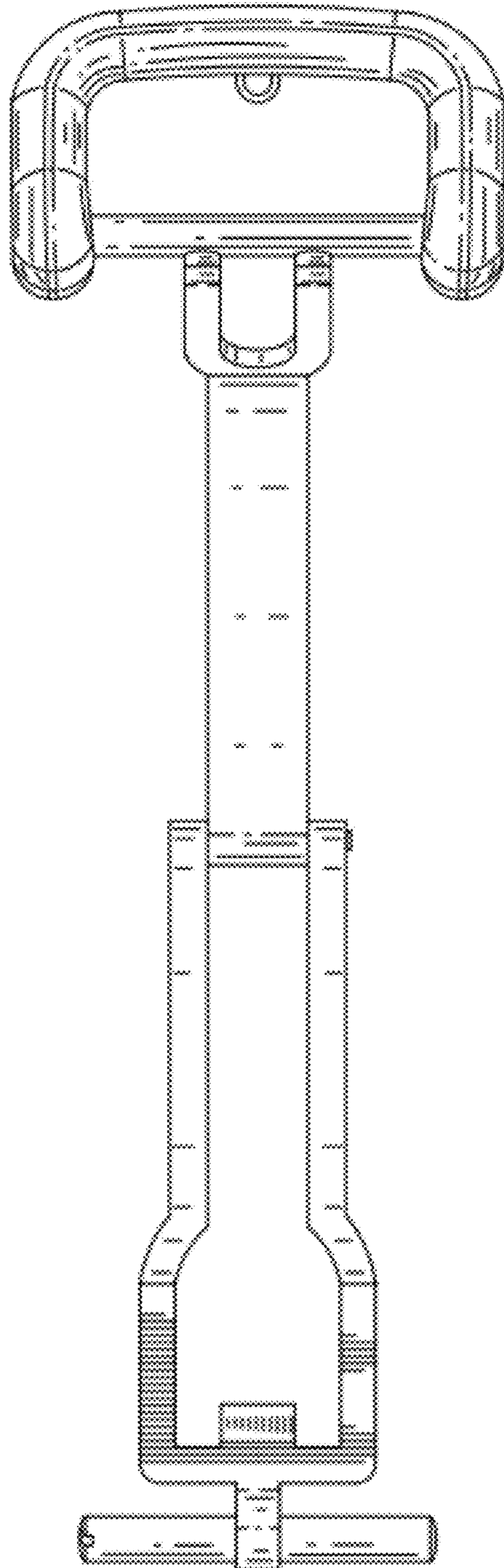


FIG. 2

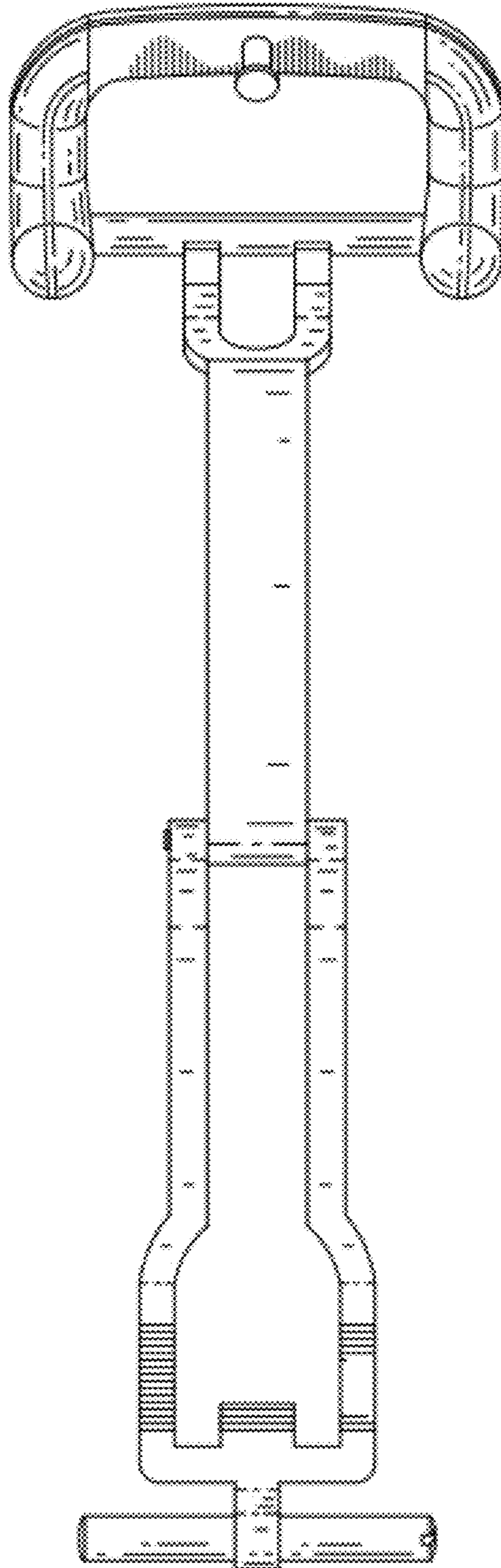


FIG. 3

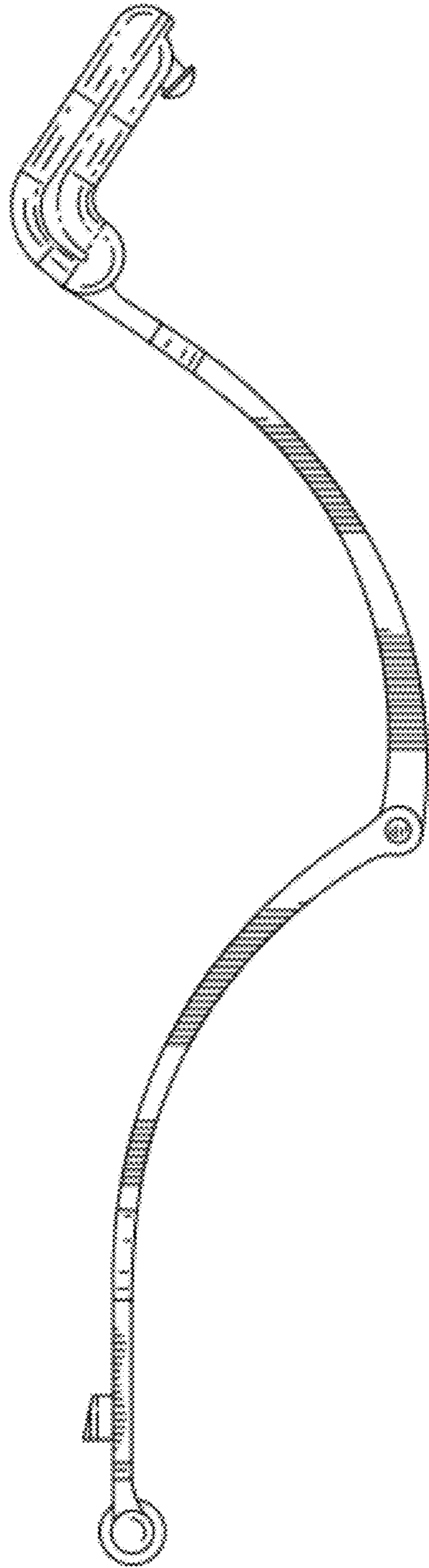


FIG. 4

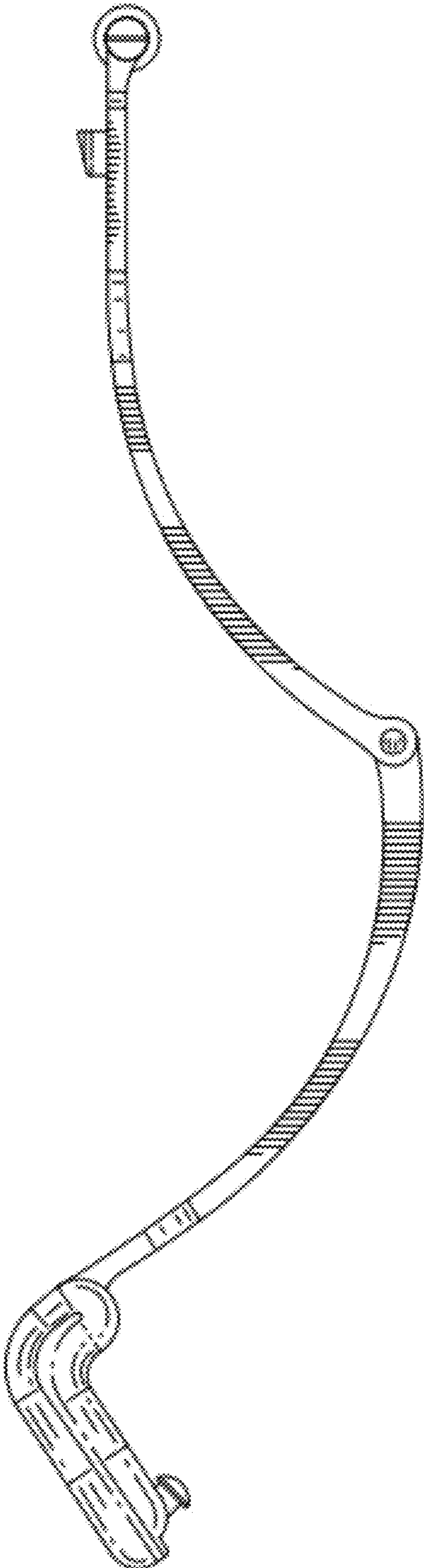


FIG. 5

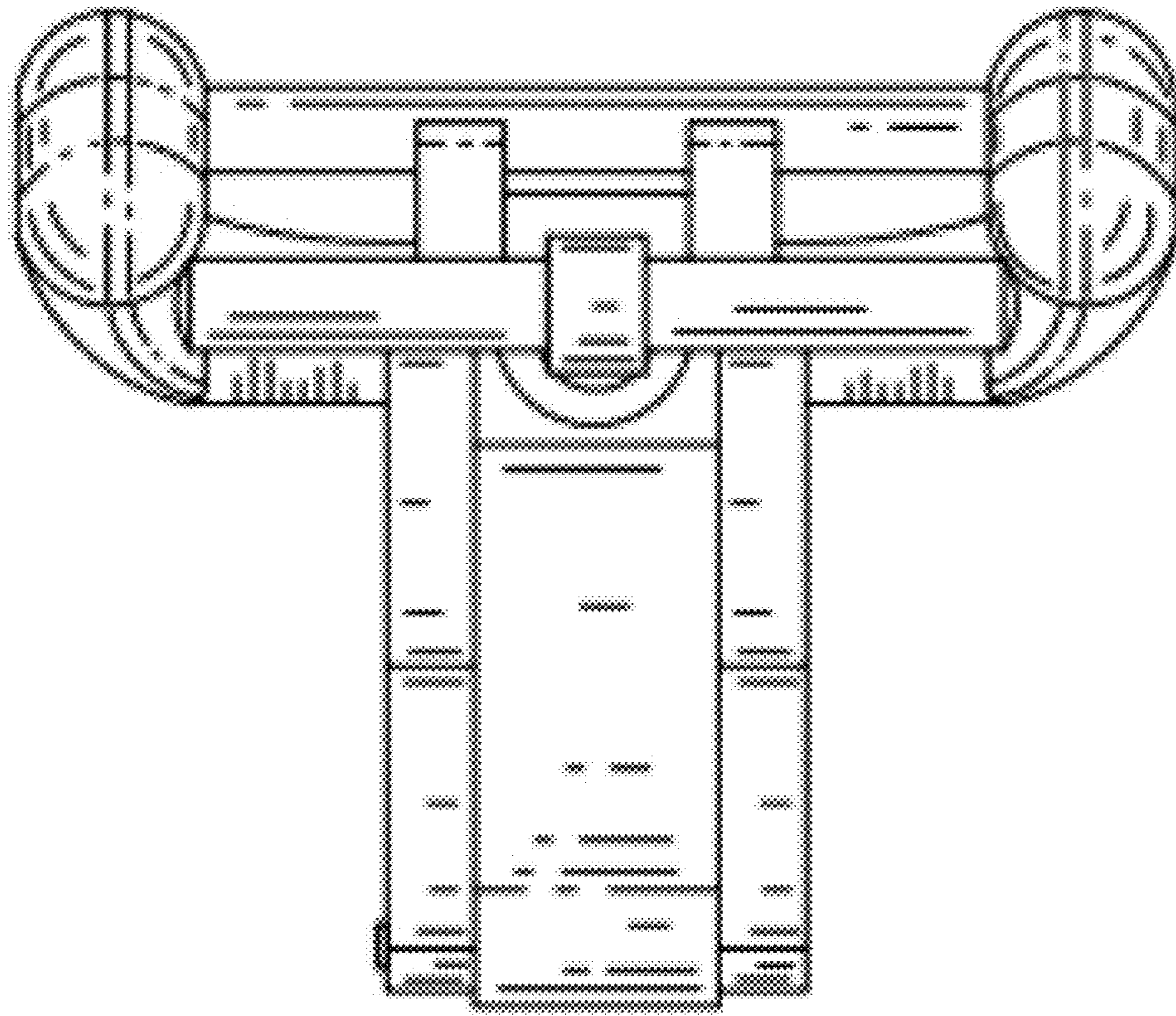


FIG. 6

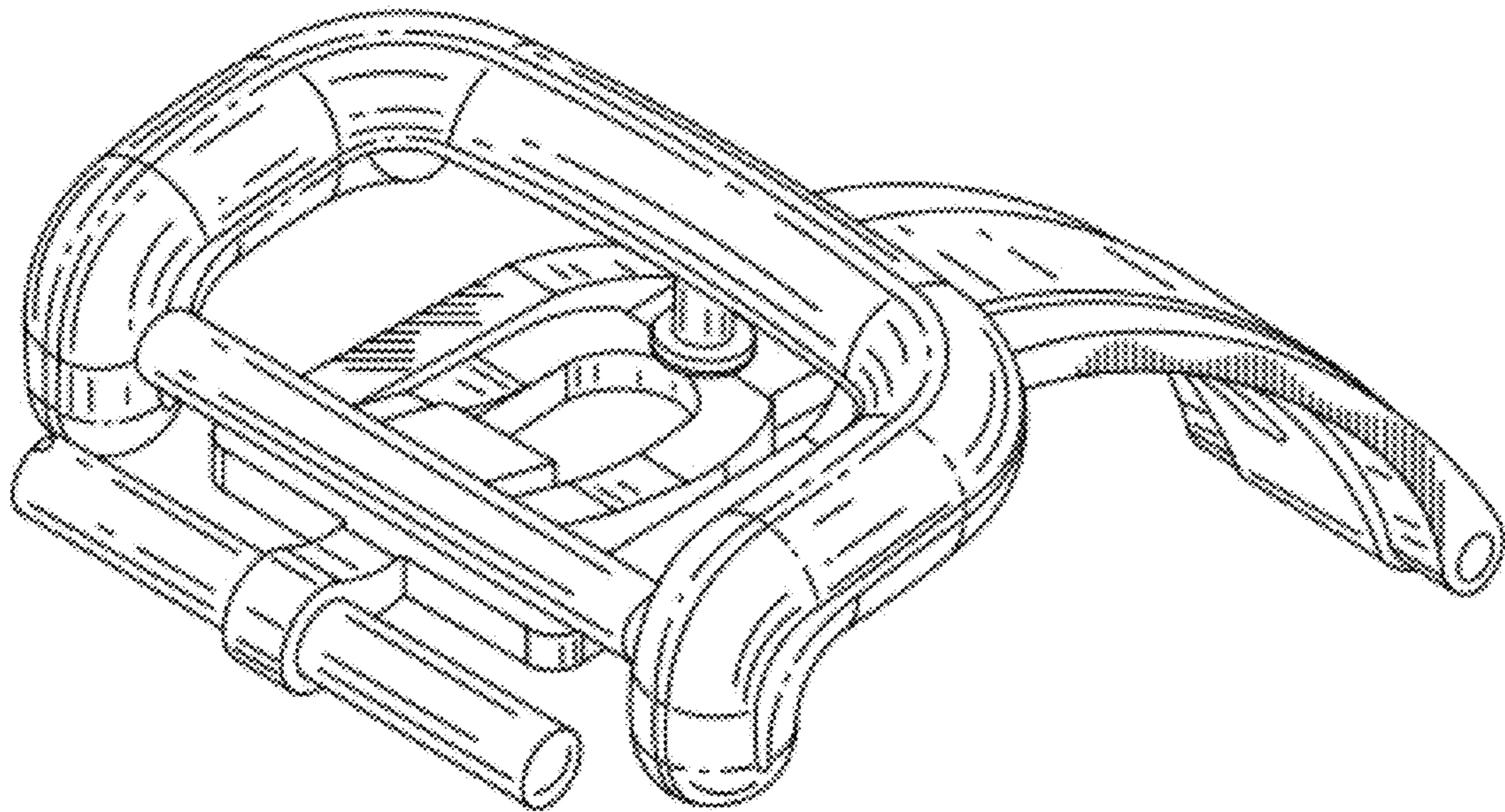


FIG. 7



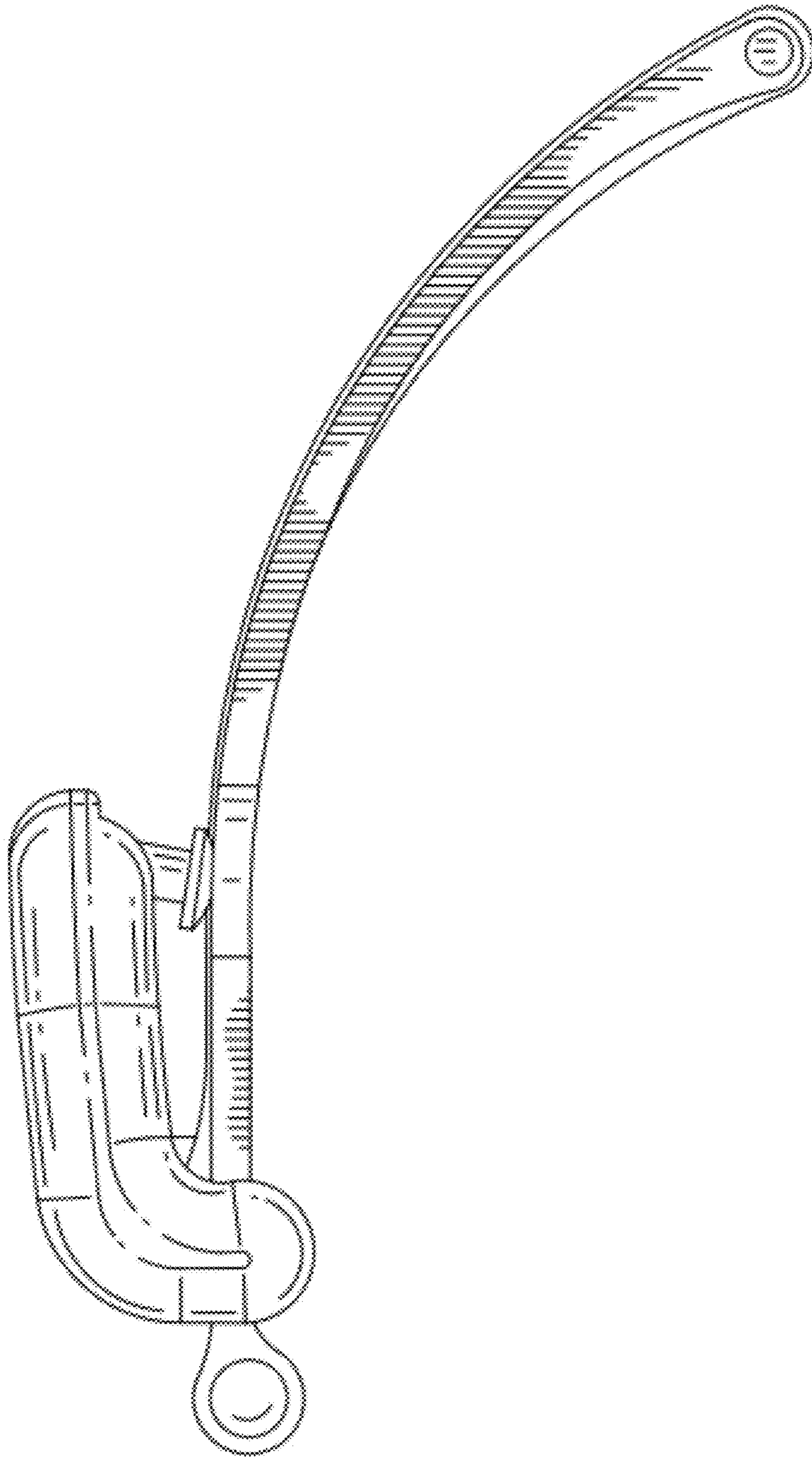


FIG. 8

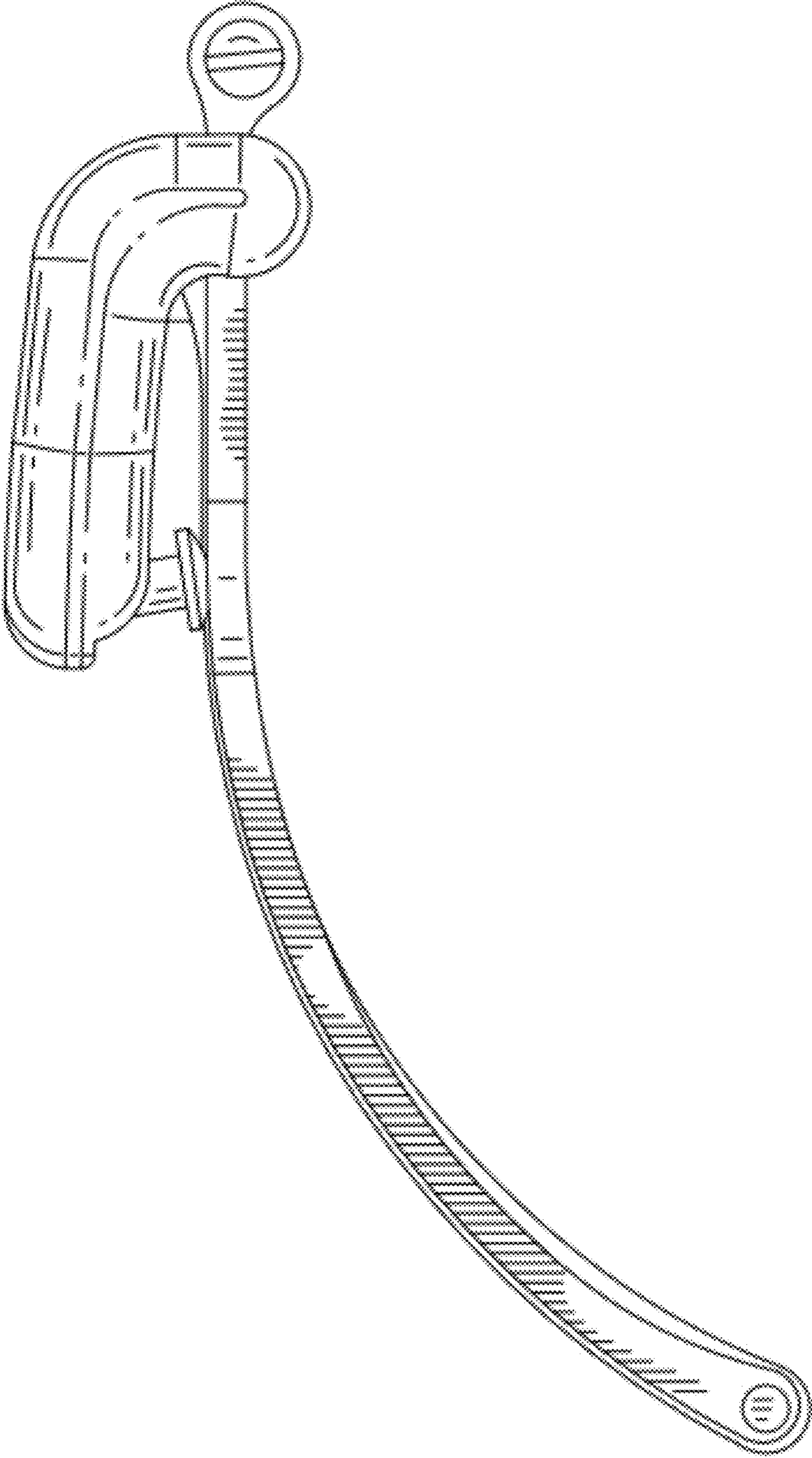


FIG. 9

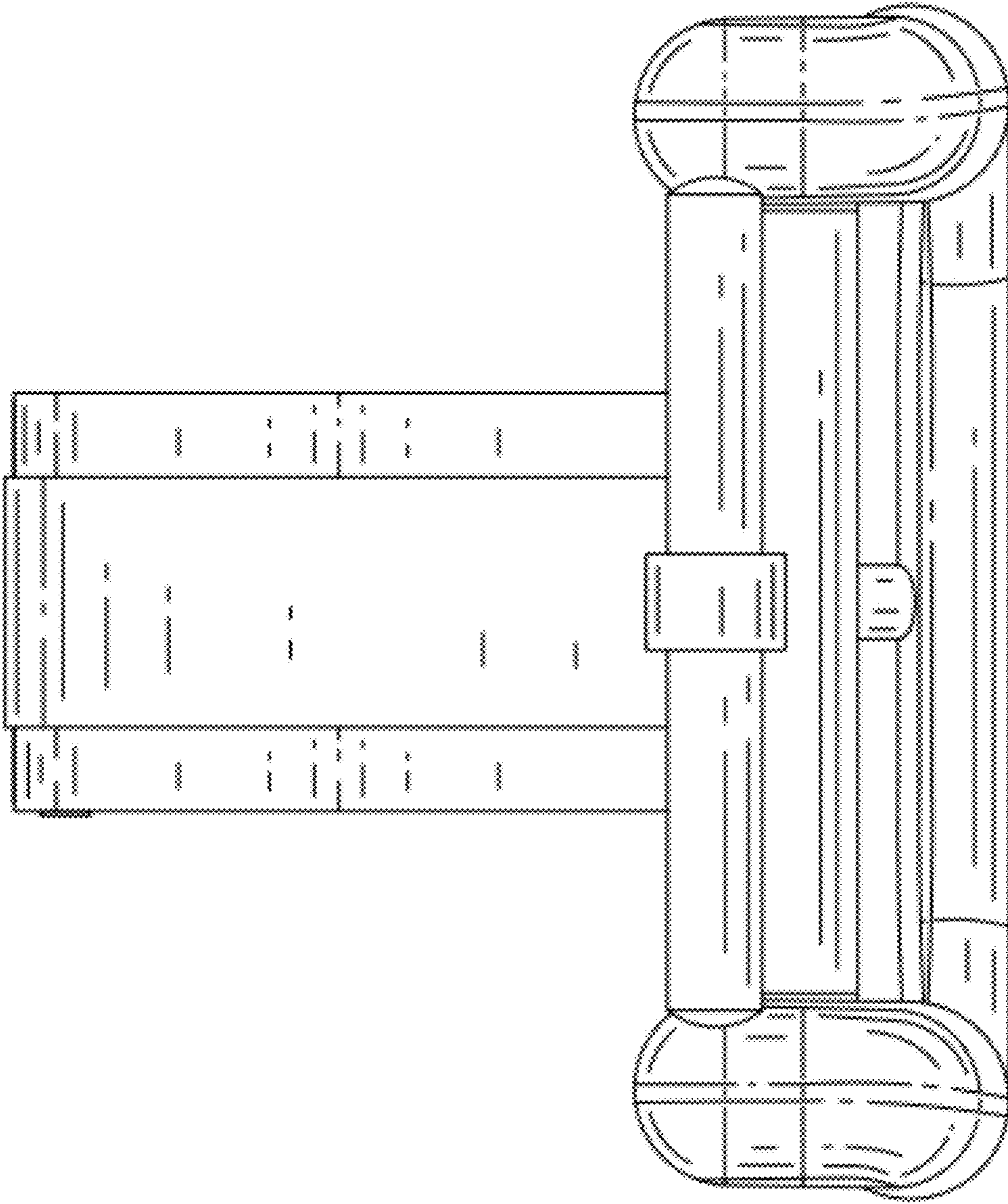


FIG. 10

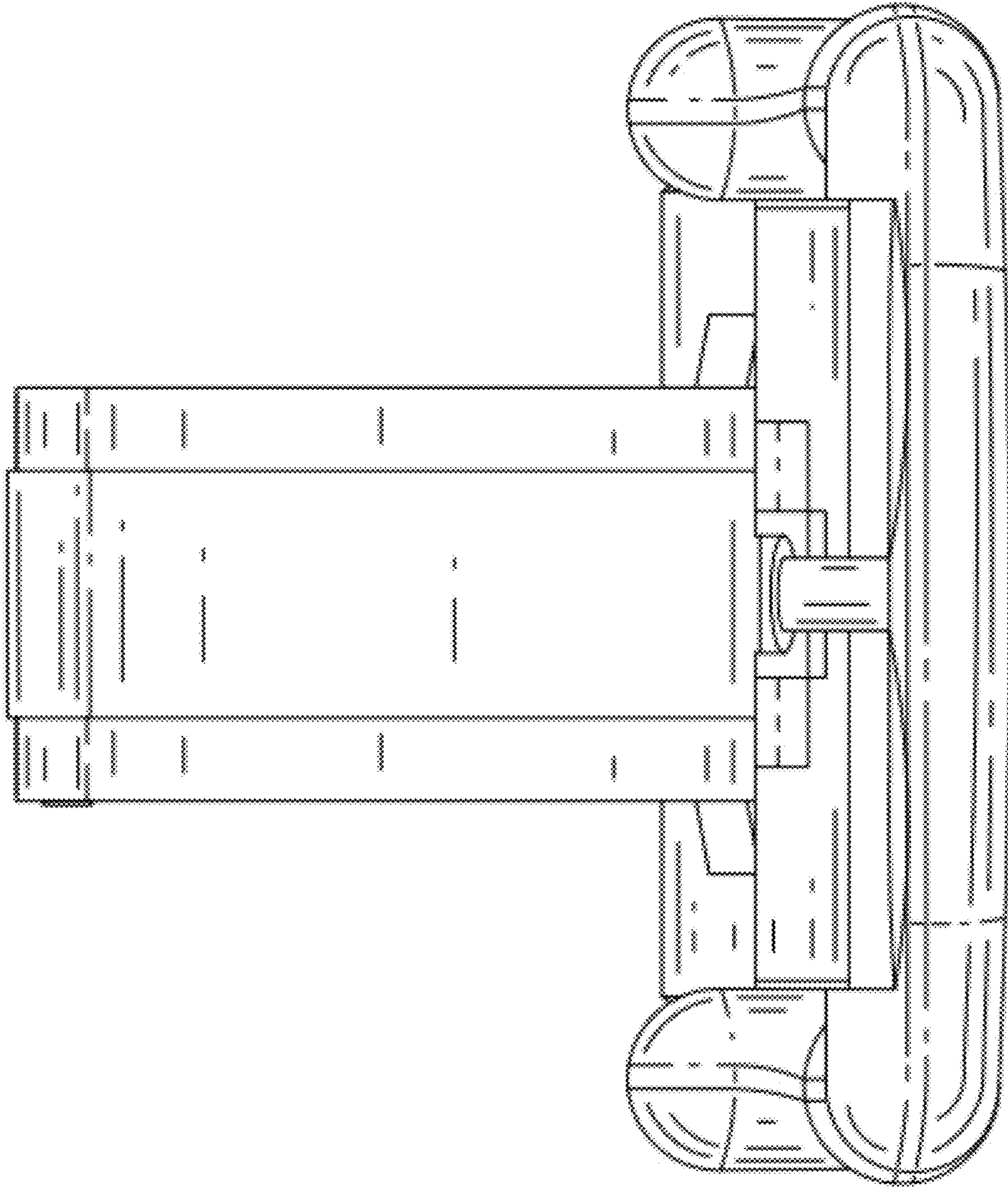


FIG. 11

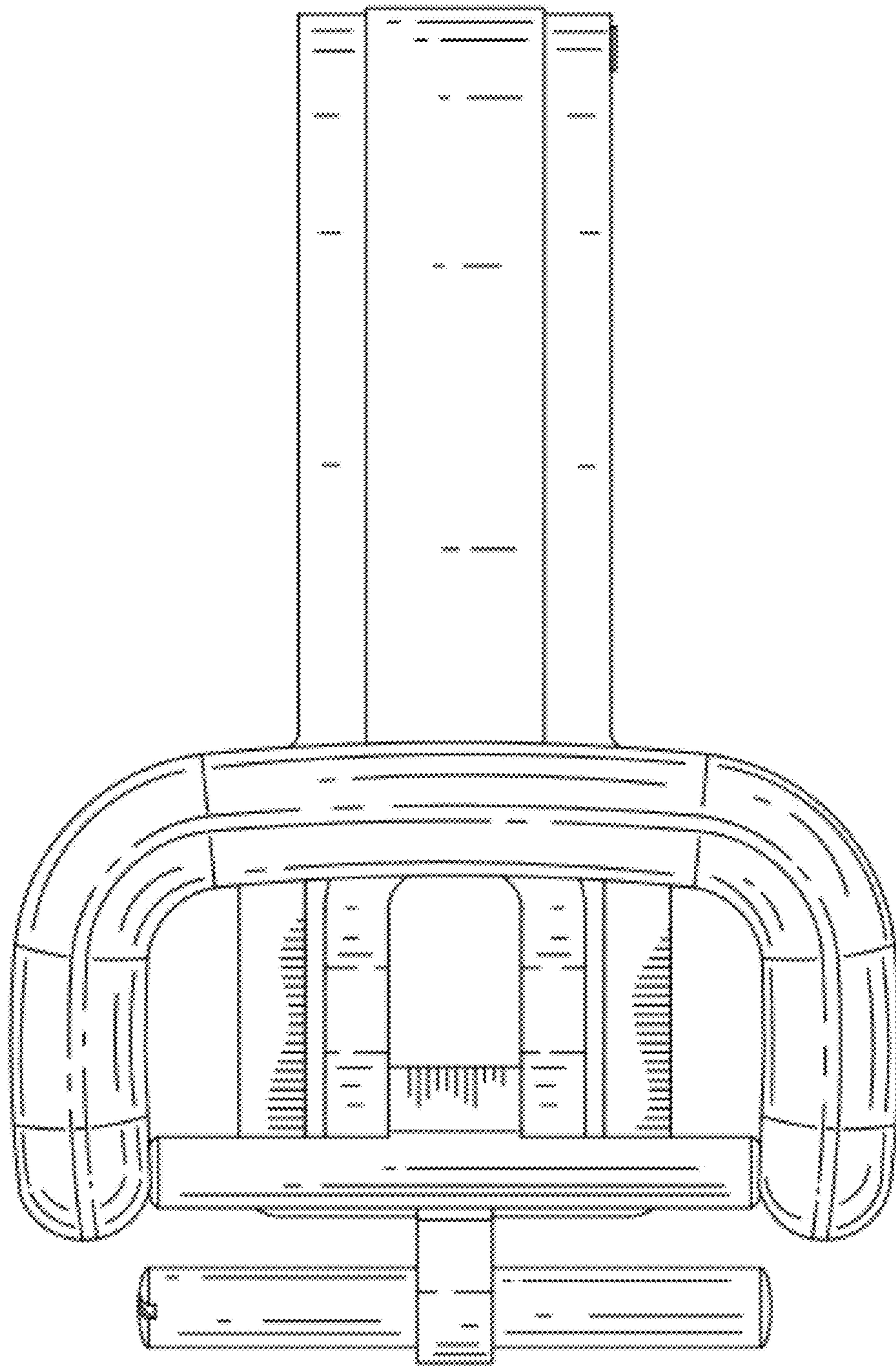


FIG. 12

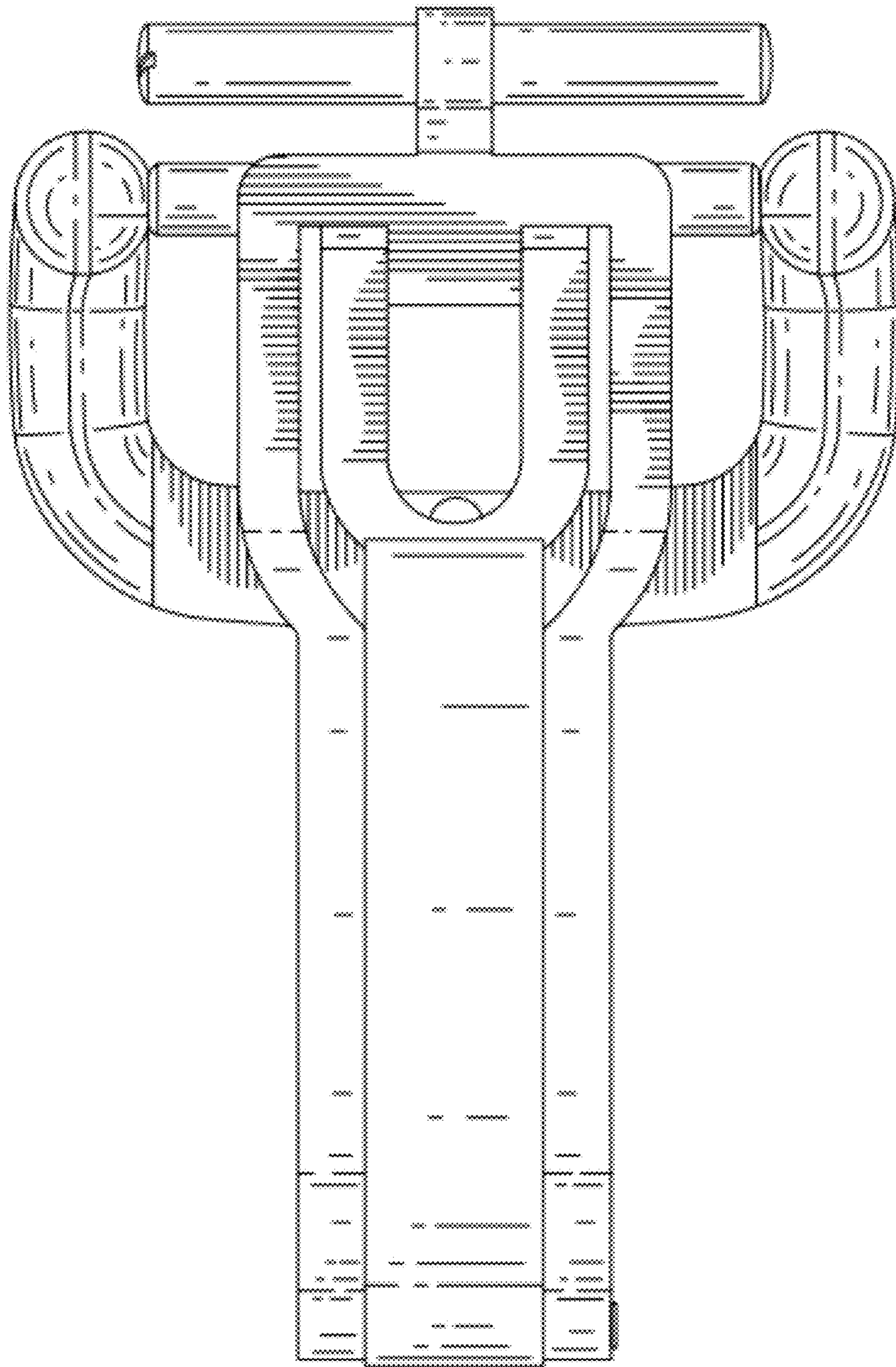


FIG. 13