

US00D669386S

(12) **United States Design Patent**
Papadimitriou

(10) **Patent No.:** **US D669,386 S**

(45) **Date of Patent:** **** Oct. 23, 2012**

(54) **STUD EARRING**

(75) Inventor: **Costantino Papadimitriou**, Milan (IT)

(73) Assignee: **De Beers Centenary AG**, Luzern (CH)

(**) Term: **14 Years**

(21) Appl. No.: **29/390,123**

(22) Filed: **Apr. 20, 2011**

(30) **Foreign Application Priority Data**

Oct. 21, 2010 (EM) 001771593

(51) **LOC (9) Cl.** **11-01**

(52) **U.S. Cl.** **D11/40**

(58) **Field of Classification Search** D11/1-45,
D11/79-85; 63/12, 13, 14.1-14.8

See application file for complete search history.

(56) **References Cited**

U.S. PATENT DOCUMENTS

D279,878 S *	7/1985	Moon	D11/43
D386,712 S *	11/1997	Frankel et al.	D11/91
D386,713 S *	11/1997	Frankel et al.	D11/91
D420,936 S *	2/2000	Murray	D11/92
6,389,846 B1 *	5/2002	Siebenberg	63/26
D516,940 S *	3/2006	Friedman	D11/90
D533,479 S *	12/2006	Dubnicka	D11/91
D546,235 S *	7/2007	Sabet	D11/91
D570,243 S *	6/2008	Giles	D11/92
D574,746 S *	8/2008	Nolan	D11/41
D602,802 S	10/2009	Papadimitriou		
D602,807 S	10/2009	Colombani et al.		
D610,034 S	2/2010	Colombani et al.		

D628,113 S *	11/2010	Papadimitriou	D11/40
D633,409 S *	3/2011	Grosser-Samuels	D11/91
D634,667 S *	3/2011	Papadimitriou	D11/79
D635,878 S	4/2011	Papadimitriou		
D636,694 S	4/2011	Papadimitriou		
D636,695 S	4/2011	Papadimitriou		
D637,101 S	5/2011	Papadimitriou		
D637,102 S	5/2011	Papadimitriou		
D639,692 S *	6/2011	Papadimitriou	D11/40
D639,693 S *	6/2011	Papadimitriou	D11/40

* cited by examiner

Primary Examiner — Cathron Brooks

Assistant Examiner — Melanie Pellegrini

(74) *Attorney, Agent, or Firm* — SNR Denton US LLP;
Brain R. McGinley

(57) **CLAIM**

The ornamental design for a stud earring, as shown and described.

DESCRIPTION

FIG. 1 is a front view of the stud earring illustrating the new design;

FIG. 2 is a rear view of the stud earring illustrated in FIG. 1;
FIG. 3 is a right side elevational view of the stud earring shown in FIG. 1;

FIG. 4 is a left side elevational view of the stud earring illustrated in FIG. 1;

FIG. 5 is a bottom view of the stud earring illustrated in FIG. 1;

FIG. 6 is a top view of the stud earring illustrated in FIG. 1; and,

FIG. 7 is a top right perspective view of the stud earring illustrated in FIG. 1.

1 Claim, 4 Drawing Sheets

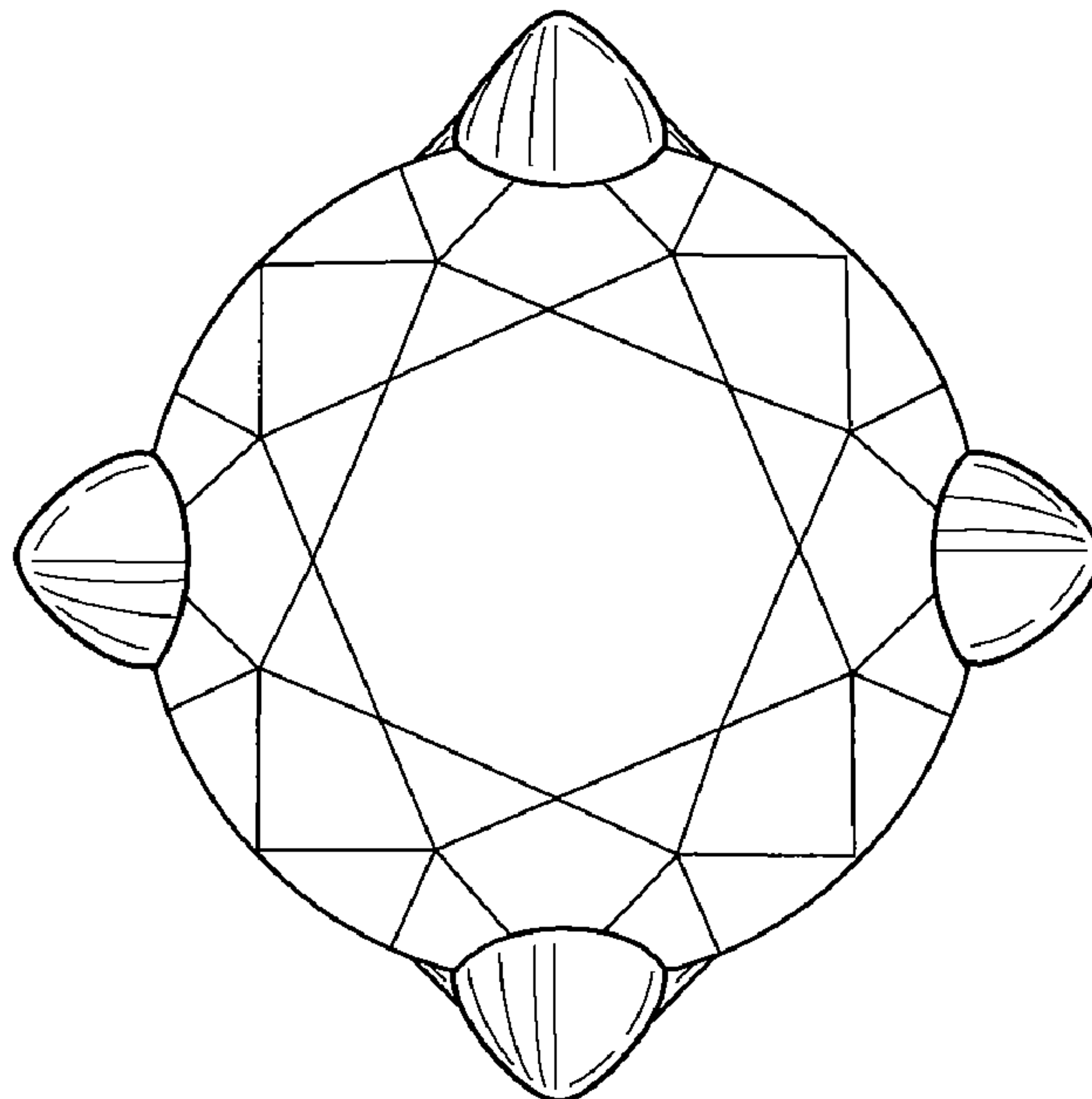


FIG. 1

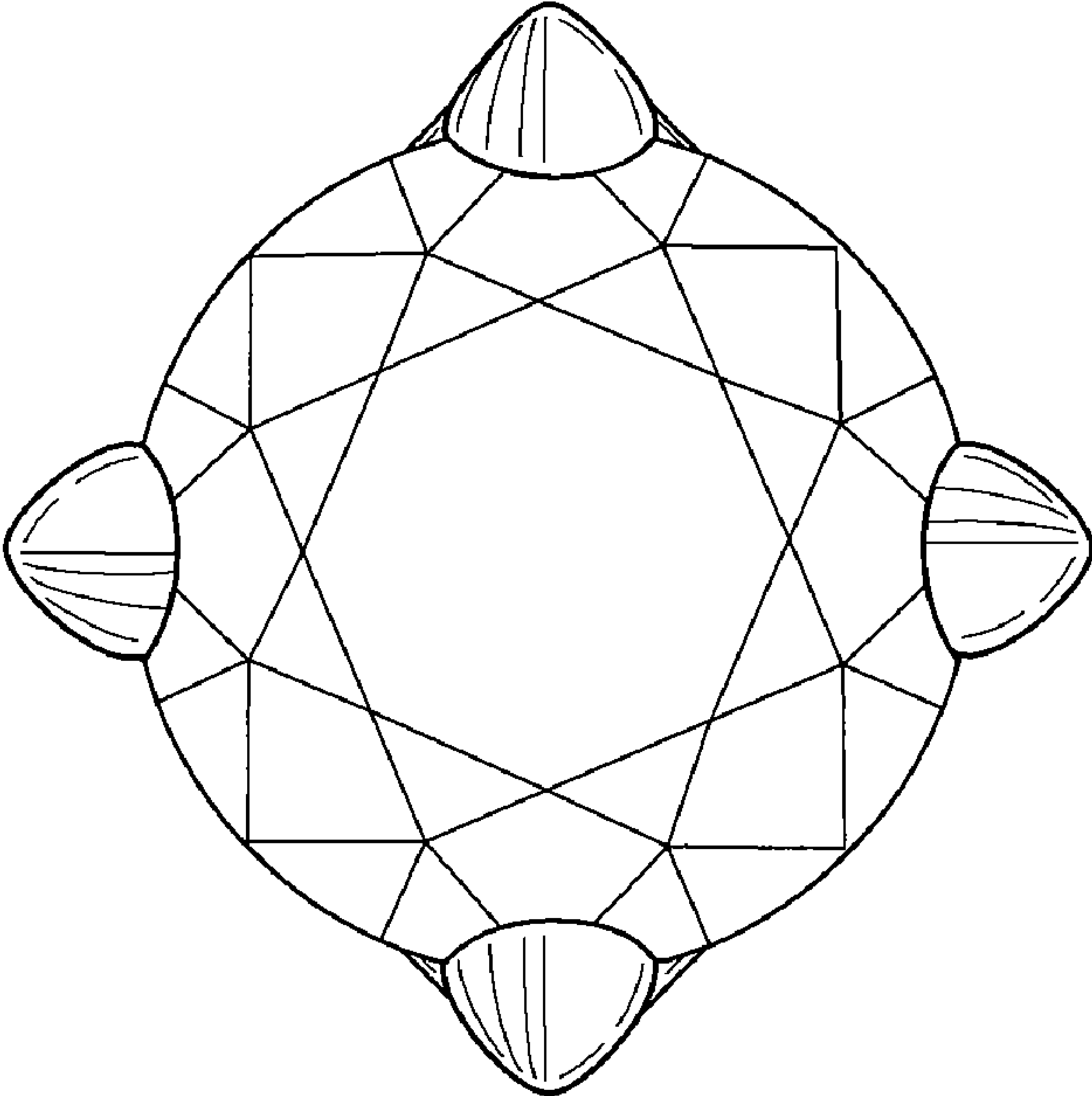


FIG. 2

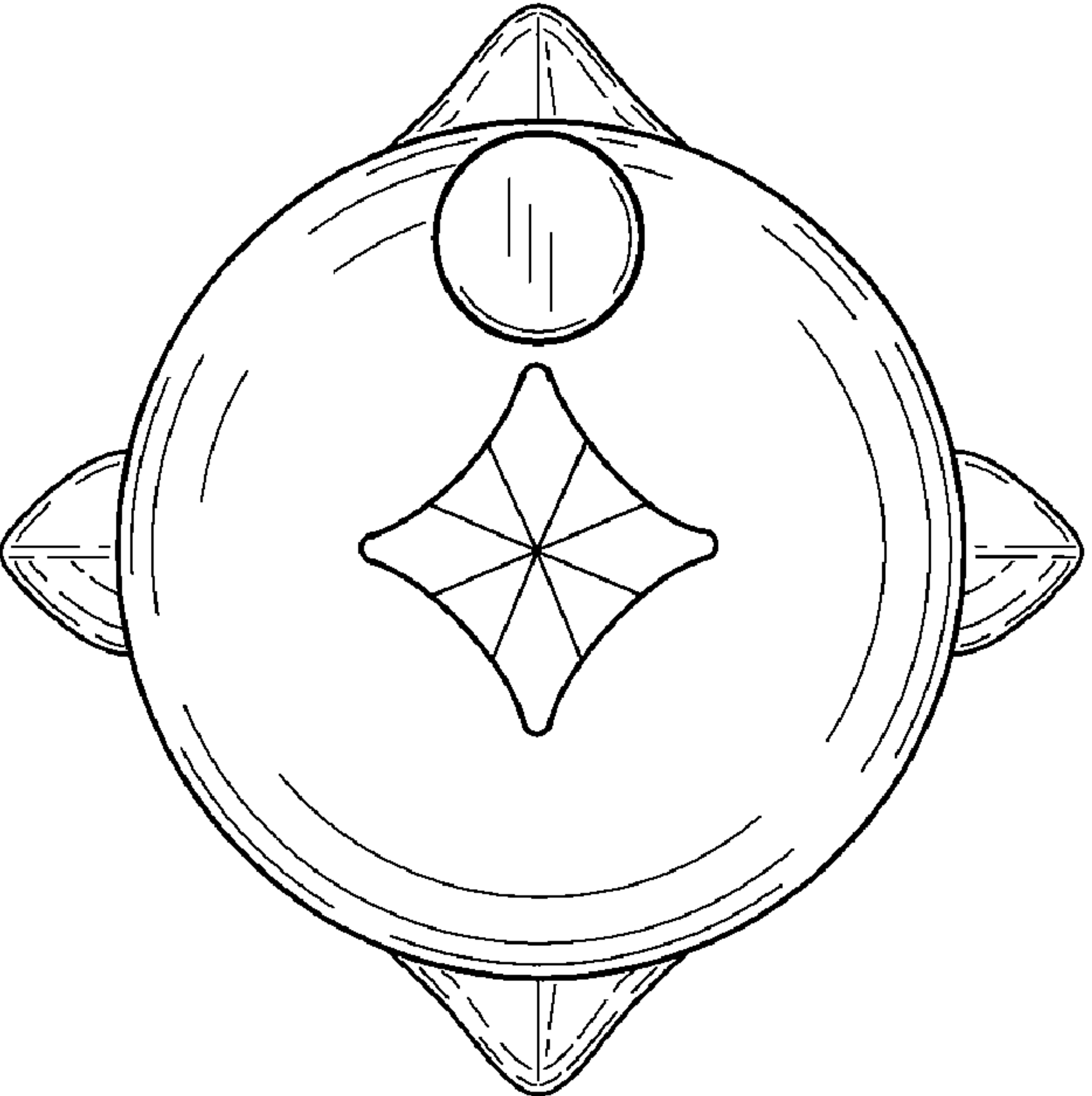


FIG. 3

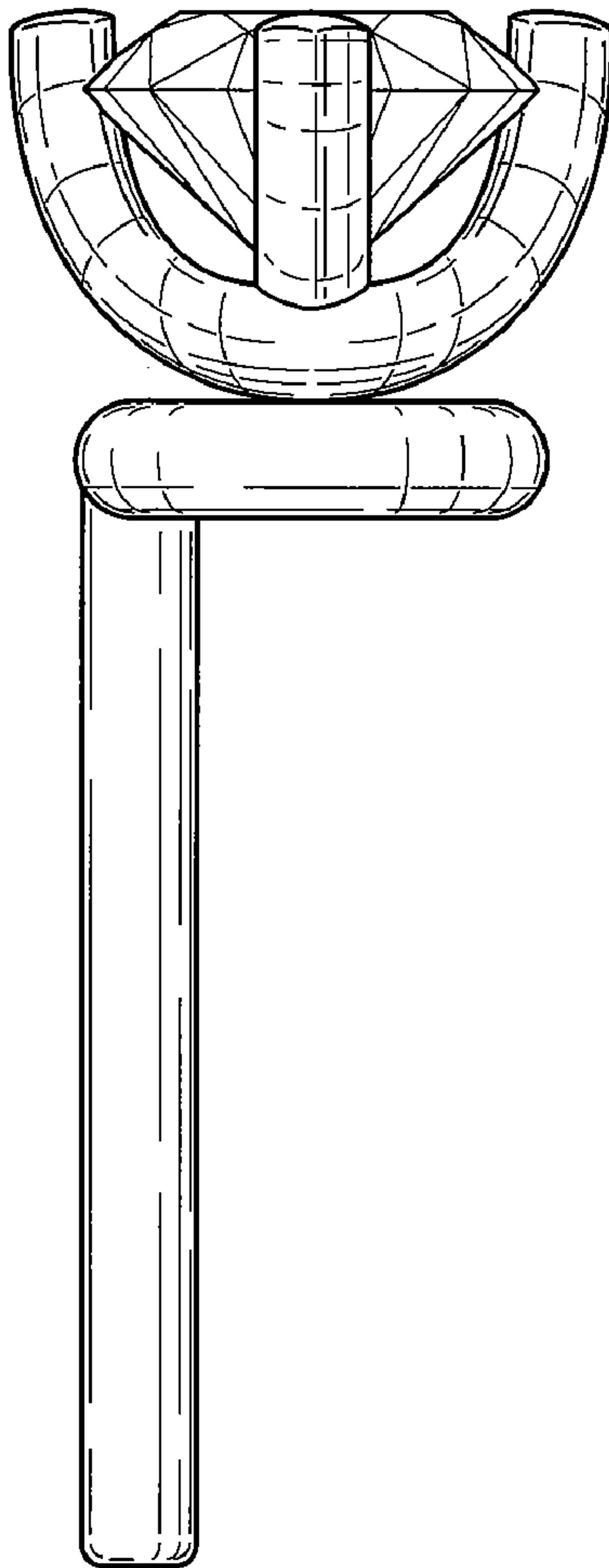


FIG. 4

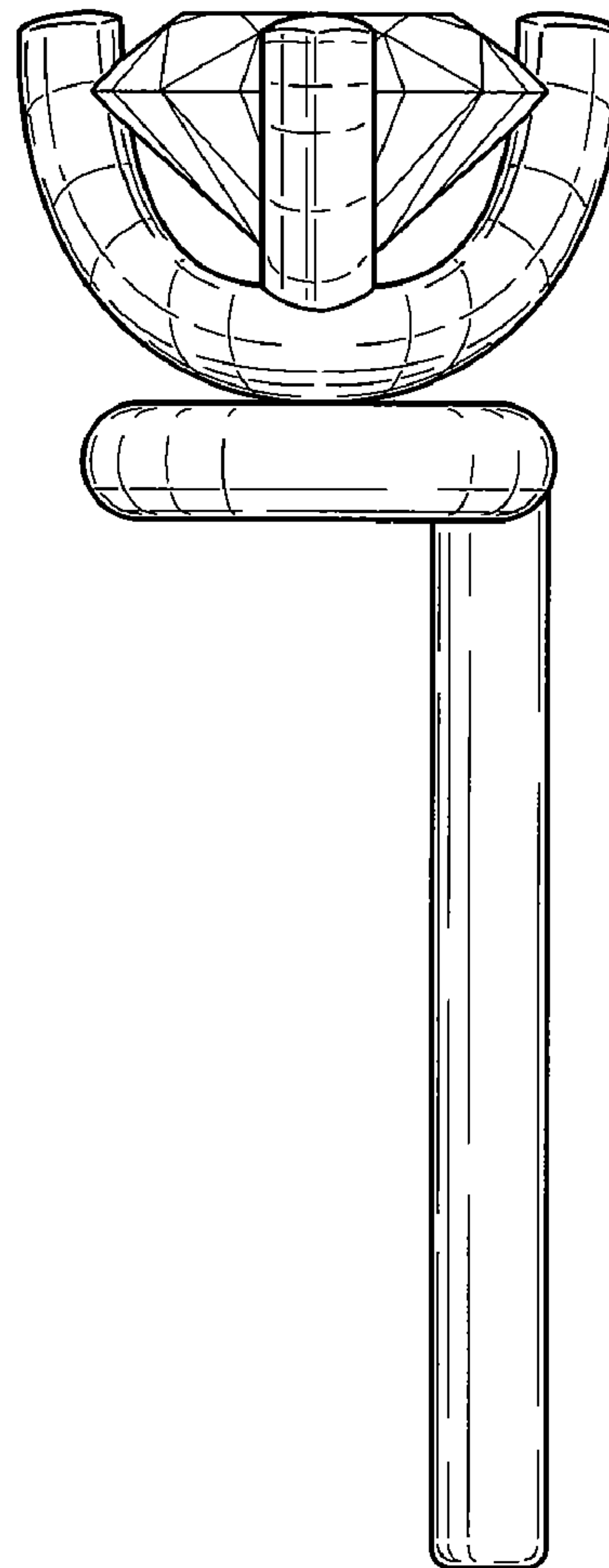


FIG. 5

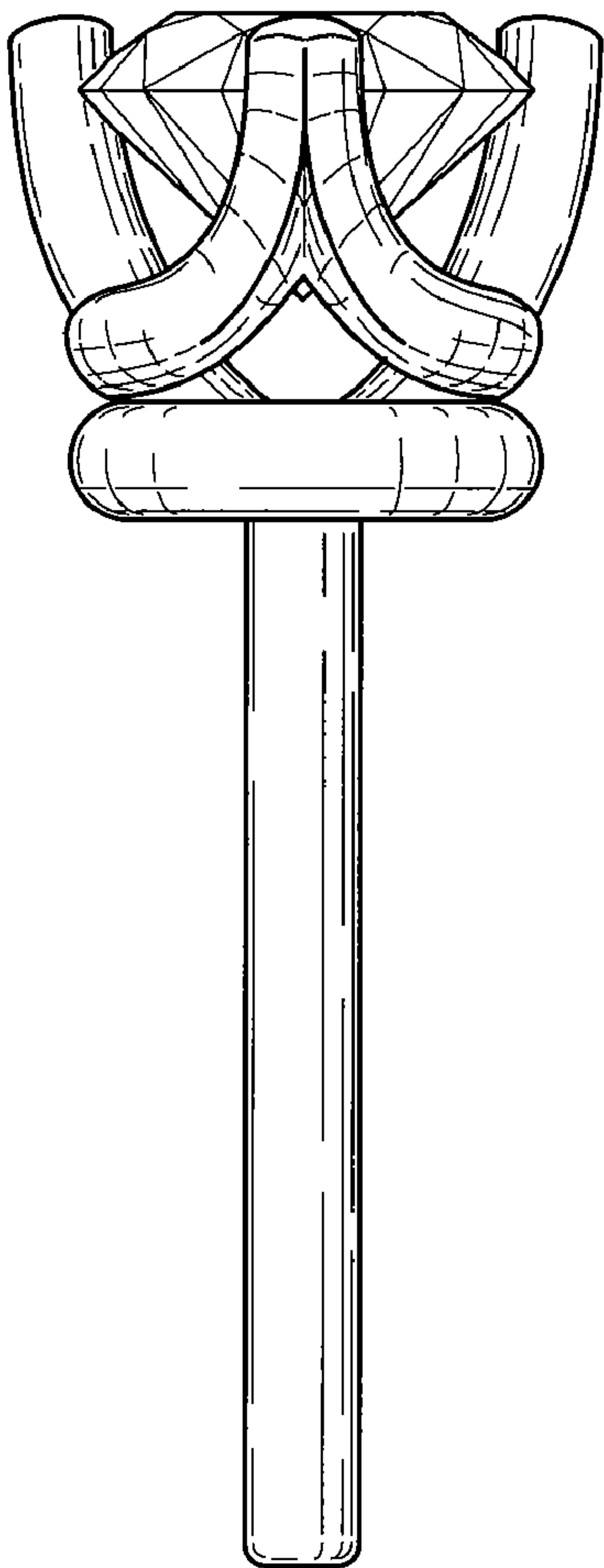


FIG. 6

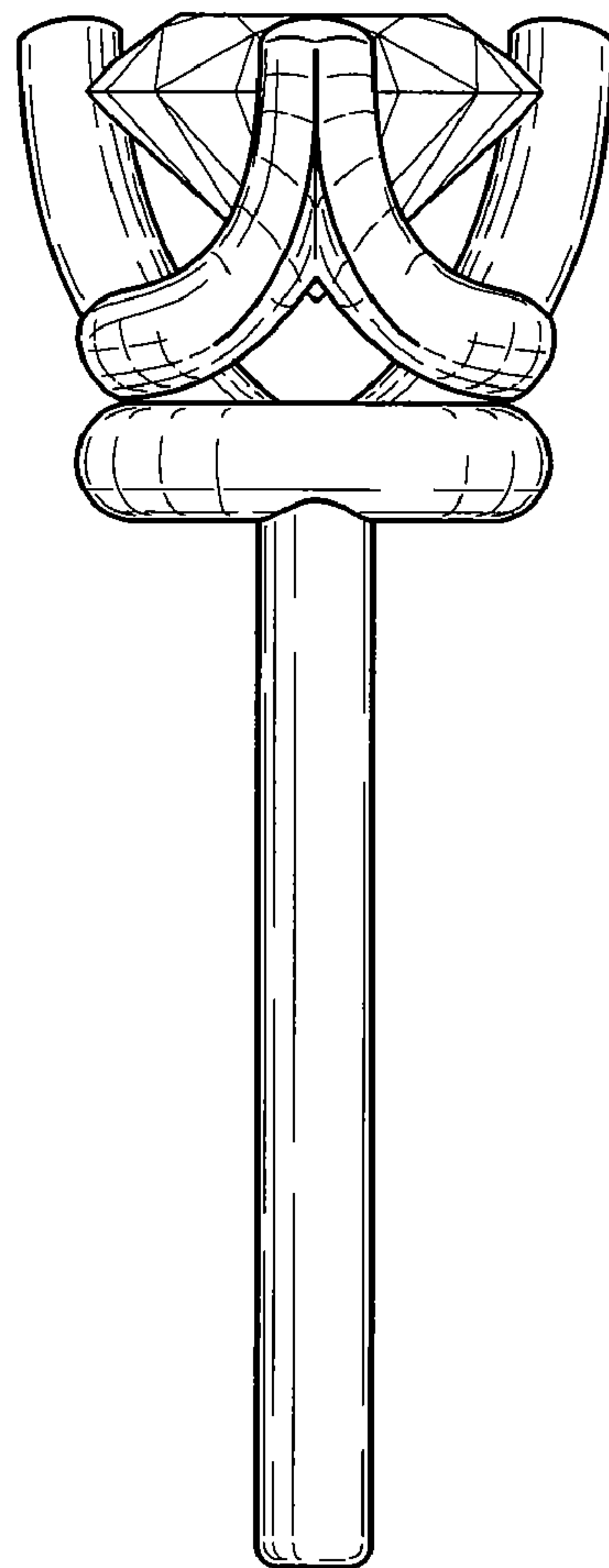


FIG. 7

