

US00D669382S

(12) **United States Design Patent**
Alvarez et al.

(10) **Patent No.:** **US D669,382 S**
(45) **Date of Patent:** **** Oct. 23, 2012**

(54) **WRISTBAND WITH ILLUMINATED FEATURES**

(75) Inventors: **Michel Alvarez**, Miami Beach, FL (US);
Kyle Schepke, Portland, OR (US);
William D. Webb, San Francisco, CA (US);
Chris Harsacky, San Francisco, CA (US);
Kyle Swen, San Carlos, CA (US);
Jamian R. Cobbett, Portland, OR (US)

(73) Assignee: **NIKE, Inc.**, Beaverton, OR (US)

(**) Term: **14 Years**

(21) Appl. No.: **29/419,610**

(22) Filed: **Apr. 30, 2012**

(51) **LOC (9) Cl.** **11-01**

(52) **U.S. Cl.** **D11/3**

(58) **Field of Classification Search** D11/1-39,
D11/86; 63/3, 3.1, 3.2, 5, 15.1-15.4, 15.45,
63/15.5, 15.6, 15.65, 15.7, 26-28; D10/30,
D10/31, 32

See application file for complete search history.

(56) **References Cited**

U.S. PATENT DOCUMENTS

D262,527 S	1/1982	Goldberg	
D263,869 S *	4/1982	Sumiyasu	D24/211
5,218,577 A *	6/1993	Seager	368/10
D355,858 S	2/1995	Sugita	
5,418,760 A *	5/1995	Kawashima et al.	368/69
D460,430 S	7/2002	Wada	
D466,487 S	12/2002	Wada	
D466,488 S	12/2002	Wada	
D468,648 S	1/2003	Starck	
6,775,205 B1 *	8/2004	Sporn	368/10
D495,611 S	9/2004	Jorgensen	
D511,309 S *	11/2005	Hardy	D11/26
D539,670 S	4/2007	Behling	
D545,232 S *	6/2007	Waldman	D10/125
D548,128 S	8/2007	Andren	
D549,221 S	8/2007	Yagi	
D550,112 S	9/2007	Andren	

D553,536 S	10/2007	Andren	
D554,004 S *	10/2007	Kraft	D10/38
D556,194 S	11/2007	Rambosek	
D558,198 S	12/2007	Blankenship	
D560,134 S	1/2008	Chen	
D562,175 S *	2/2008	Miller	D11/35
D564,367 S	3/2008	Molyneux	
D565,427 S *	4/2008	Ellner et al.	D10/31
D567,227 S	4/2008	Hada	

(Continued)

OTHER PUBLICATIONS

The Retsu by Saishin, 1 color page included, disclosure date unknown but prior to filing date of the instant application.

(Continued)

Primary Examiner — Cathron Brooks

Assistant Examiner — Melanie Pellegrini

(74) *Attorney, Agent, or Firm* — Banner & Witcoff, Ltd.

(57) **CLAIM**

The ornamental design for a wristband with illuminated features, as shown and described.

DESCRIPTION

FIG. 1 is a front perspective view of a wristband with illuminated features showing our new design;

FIG. 2 is a side view thereof;

FIG. 3 is a front view thereof;

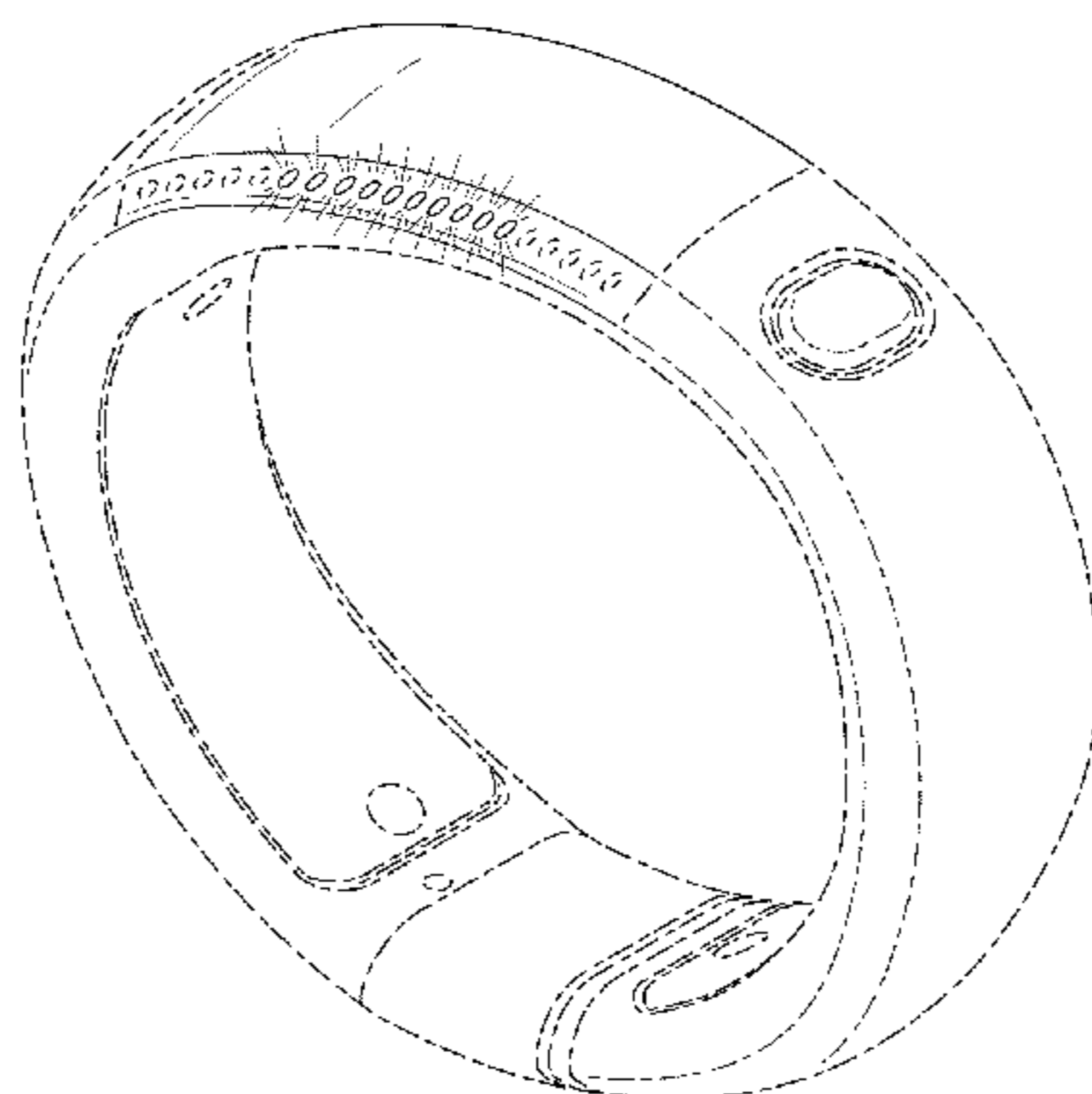
FIG. 4 is a front perspective view of the wristband of FIGS. 1-3 depicted without radiating lines for clarity;

FIG. 5 is a side view thereof; and,

FIG. 6 is a front view thereof.

The broken lines immediately adjacent to the shaded area represent unclaimed boundaries of the design. The ten unshaded circular regions within the claimed area, demarcated by broken lines, form no part of the claimed design. The broken lines showing the remainder of the wristband are for environmental purposes only and form no part of the claimed design. The circular regions with radiating lines within the claimed area represent illuminated features.

1 Claim, 4 Drawing Sheets



US D669,382 S

Page 2

U.S. PATENT DOCUMENTS

D567,676 S 4/2008 Tang
D568,768 S 5/2008 Tang
D571,684 S 6/2008 Kim
D576,501 S 9/2008 Tang
D576,908 S 9/2008 Gruenke
D580,277 S 11/2008 Brady
D583,815 S 12/2008 Giovannoni
D589,374 S 3/2009 Tang
D600,570 S 9/2009 Zinder
D600,571 S 9/2009 Singer
D604,654 S 11/2009 Calvani
D606,423 S 12/2009 Mille
D608,236 S * 1/2010 Akdemir D11/26

D611,357 S 3/2010 Giroud
D621,726 S 8/2010 Lattman
D638,723 S 5/2011 Ong
D640,367 S 6/2011 Lin
D643,428 S 8/2011 Jankey et al.
8,028,413 B2 * 10/2011 Miller 63/15
D651,535 S 1/2012 Rodarmel
2008/0236195 A1 * 10/2008 Woebke 63/1.14

OTHER PUBLICATIONS

Various LED watches, 32 color pages included, disclosure date unknown but prior to filing date of the instant application.

* cited by examiner

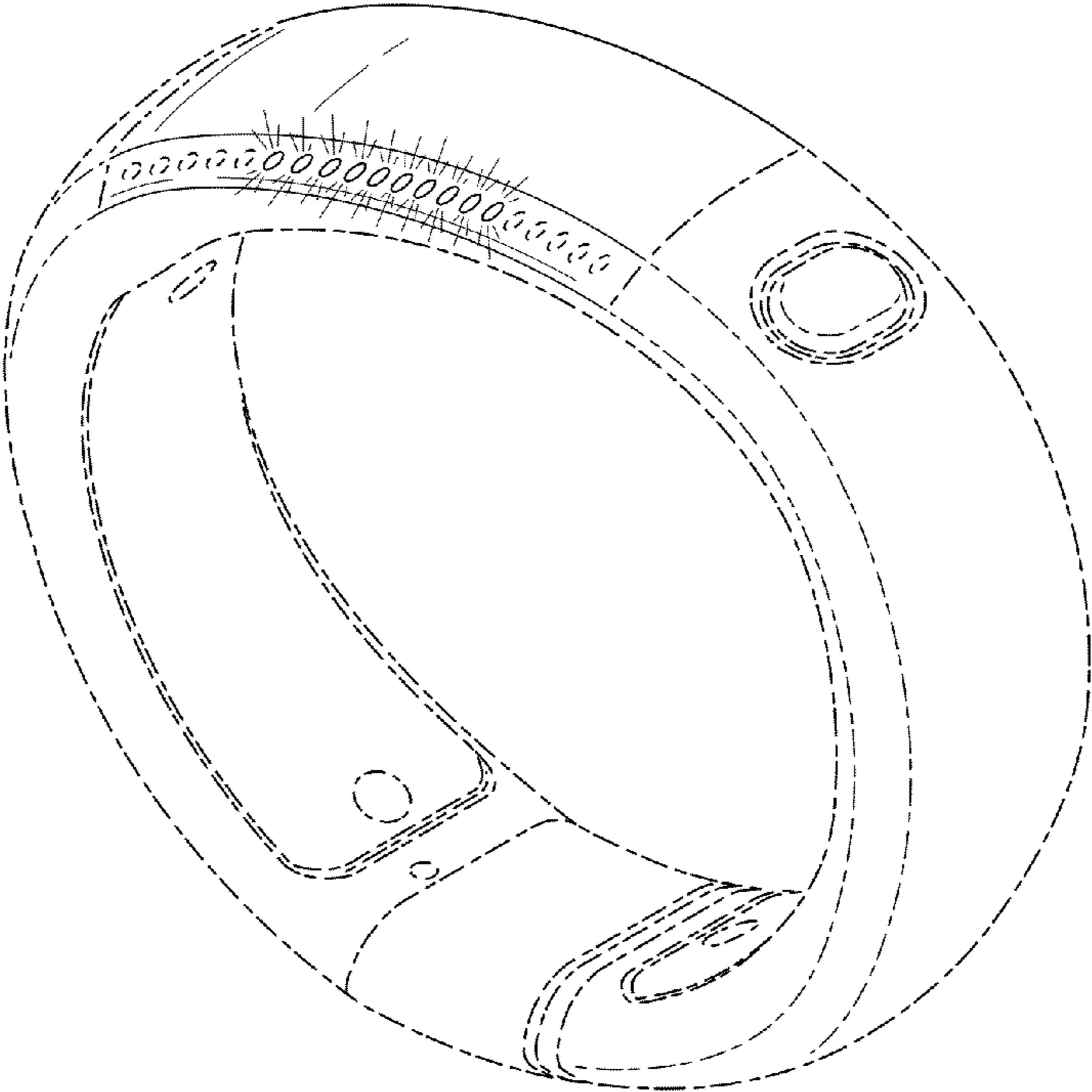


FIG. 1

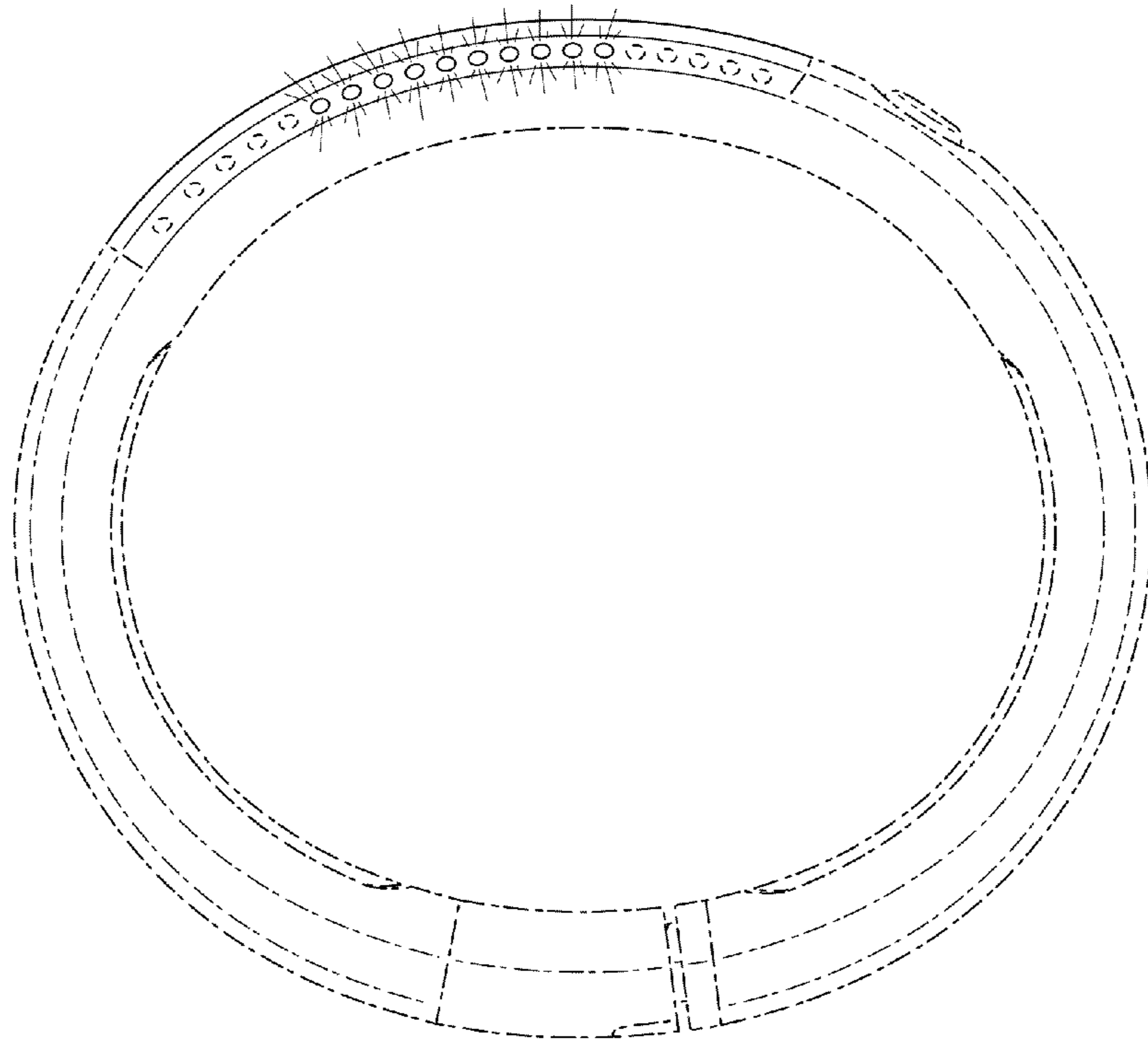


FIG. 2

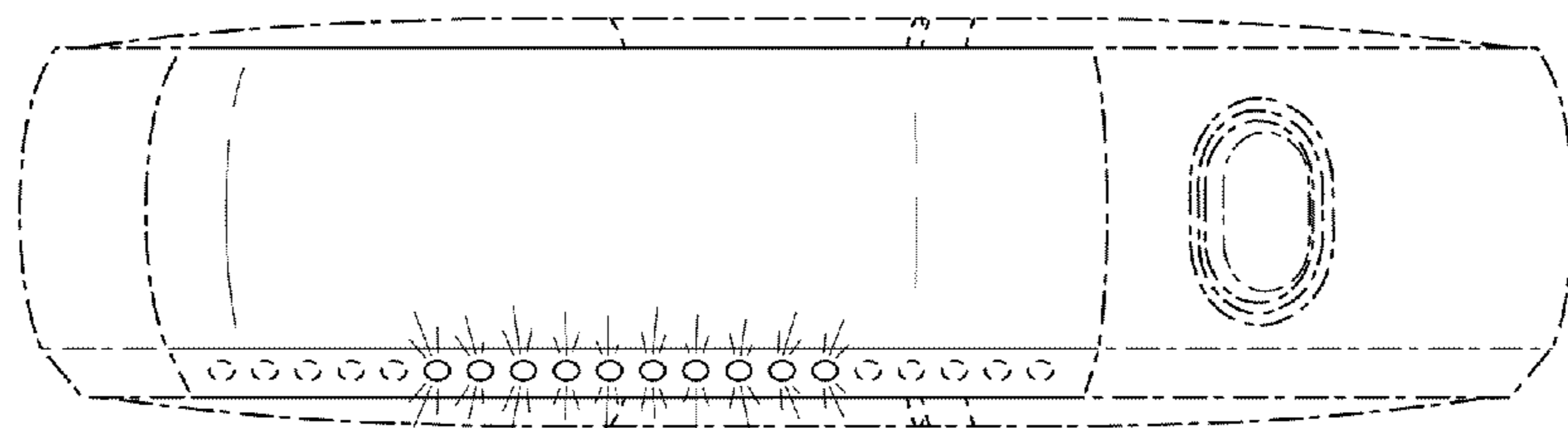


FIG. 3

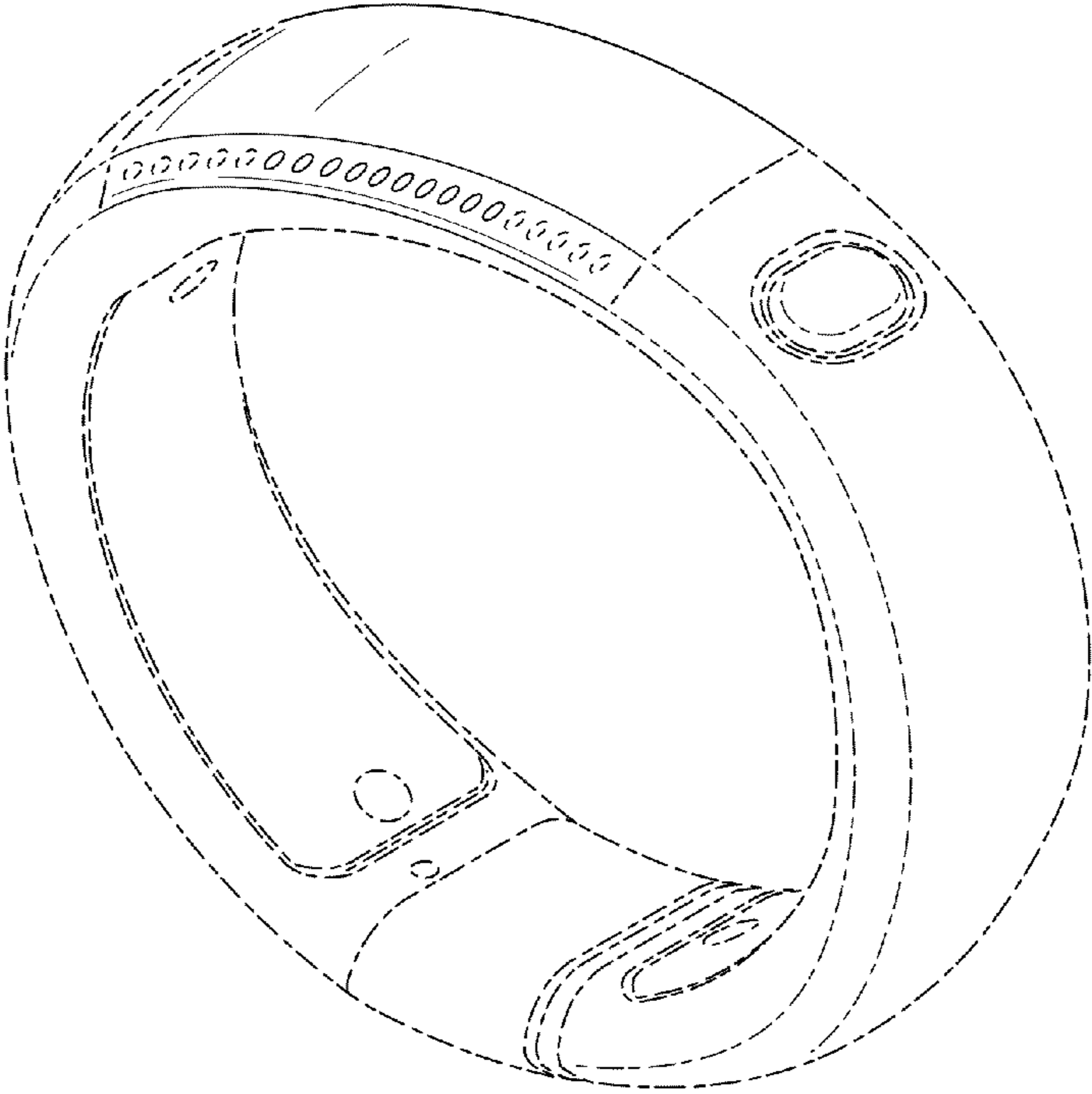


FIG. 4

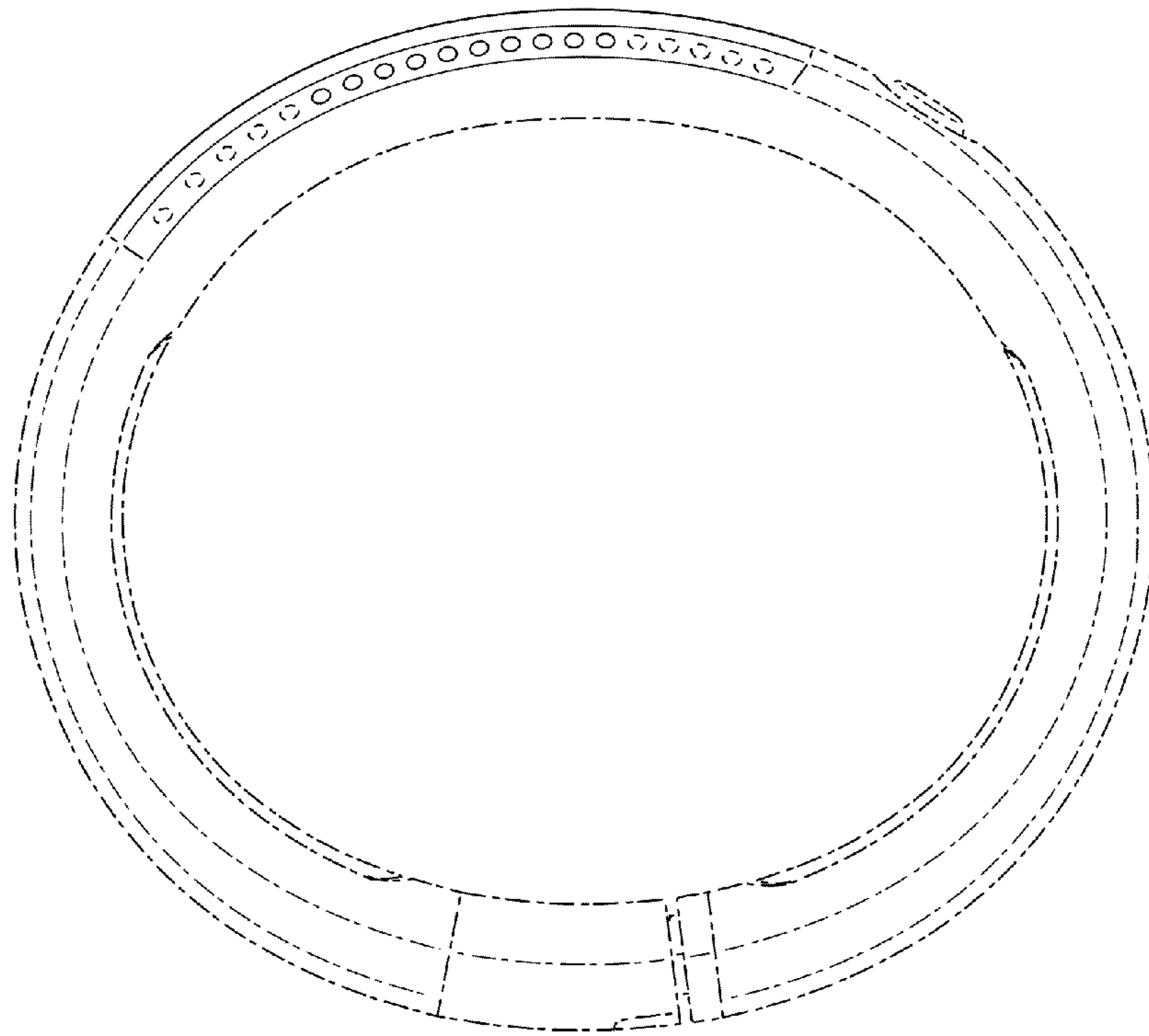


FIG. 5

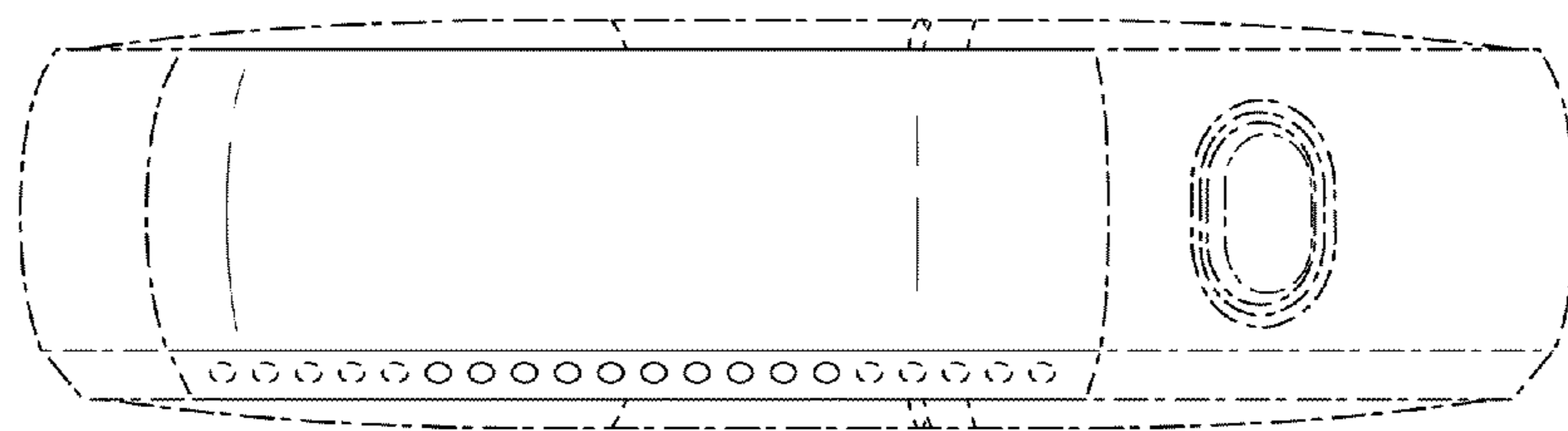


FIG. 6