

US00D669381S

(12) **United States Design Patent**  
**Højmose**

(10) **Patent No.:** **US D669,381 S**

(45) **Date of Patent:** **\*\* Oct. 23, 2012**

(54) **PART FOR A SMOKE SENSOR**

(56) **References Cited**

(75) Inventor: **Glenn Højmose**, Silkeborg (DK)

U.S. PATENT DOCUMENTS

(73) Assignee: **Cavius APS** (DK)

D215,040	S	*	8/1969	Abe	.....	D10/106.5
D226,539	S	*	3/1973	Pearsall	.....	D10/106.5
D238,484	S	*	1/1976	Abe	.....	D10/106.2
4,823,118	A	*	4/1989	Suzuki et al.	.....	340/693.5
7,414,538	B2	*	8/2008	Cook et al.	.....	340/628
7,760,102	B2	*	7/2010	Chabanis et al.	.....	340/584
D661,213	S		6/2012	Hojmose		
2002/0008152	A1	*	1/2002	Yahav	.....	239/1

(\*\*) Term: **14 Years**

(21) Appl. No.: **29/419,557**

\* cited by examiner

(22) Filed: **Apr. 30, 2012**

*Primary Examiner* — George D Kirschbaum

**Related U.S. Application Data**

(74) *Attorney, Agent, or Firm* — Sheridan Ross P.C.

(62) Division of application No. 29/407,466, filed on Nov. 29, 2011, now Pat. No. Des. 661,213.

(57) **CLAIM**

The ornamental design for a part for a smoke sensor, including the peripheral element in subcombination, as shown and described.

(30) **Foreign Application Priority Data**

**DESCRIPTION**

Nov. 23, 2011 (EM) ..... 001951450

FIG. 1 is an elevation view of a part for a smoke sensor showing my new design;

(51) **LOC (9) Cl.** ..... **10-05**

FIG. 2 is an enlarged elevation view thereof;

(52) **U.S. Cl.** ..... **D10/121**

FIG. 3 is a top perspective view thereof; and,

(58) **Field of Classification Search** ..... D10/106.2,

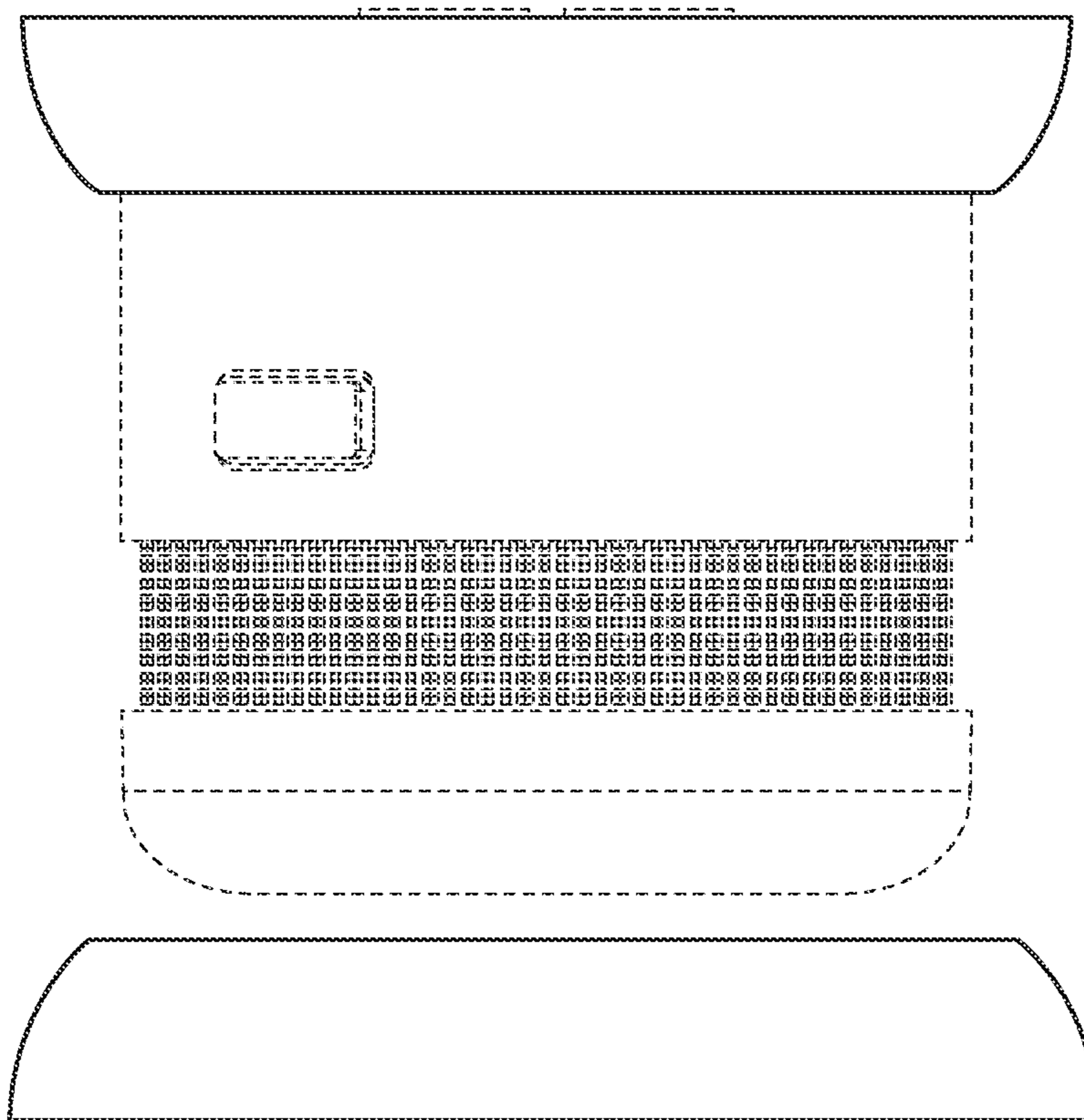
FIG. 4 is top view thereof.

D10/106.5, 121; 340/584, 628, 693.5; 239/1

The broken line showing of a smoke sensor and environmental elements is included for the purpose of illustrating portions of the "article" and forms no part of the claimed design.

See application file for complete search history.

**1 Claim, 4 Drawing Sheets**



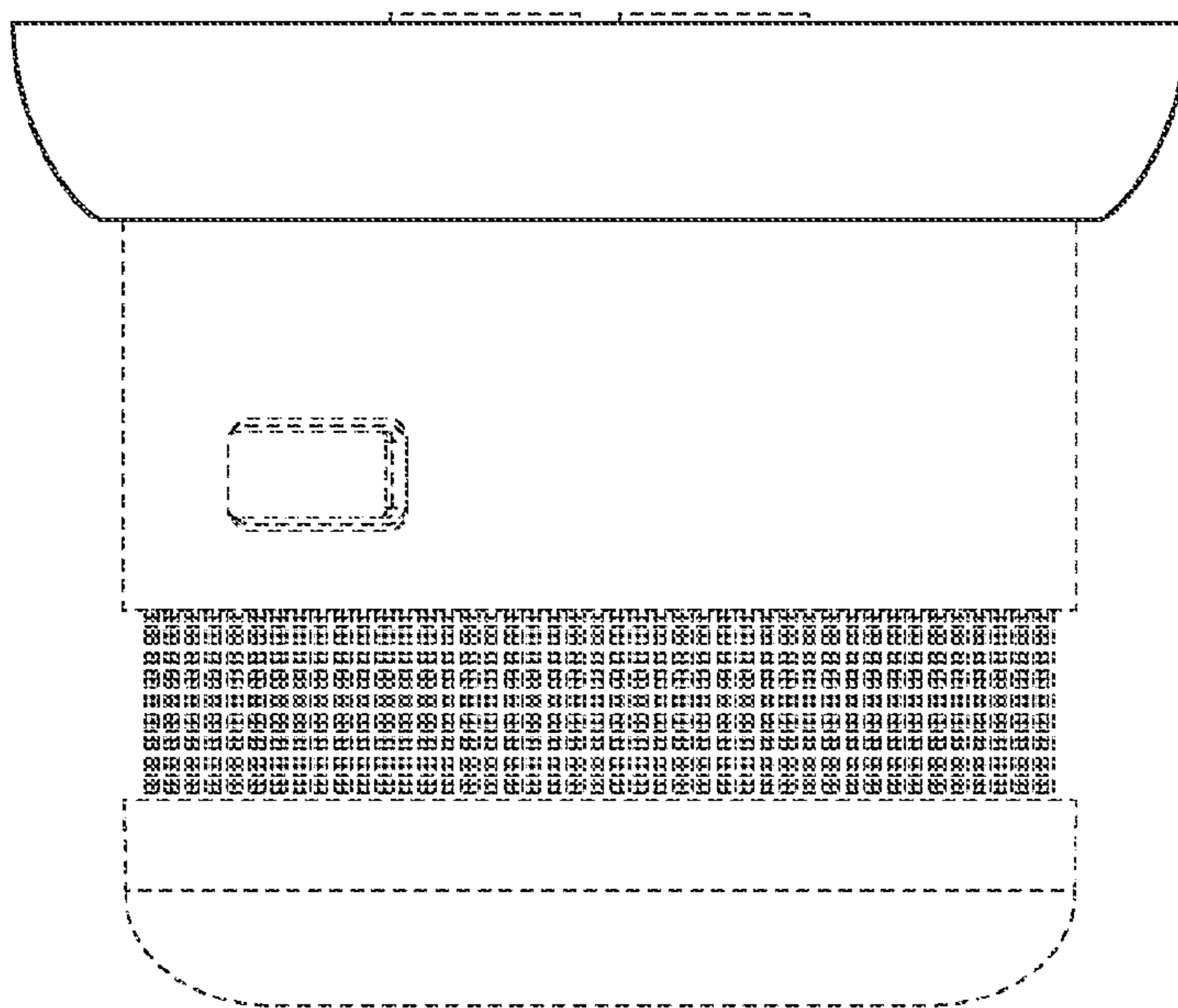


FIG. 1



FIG.2

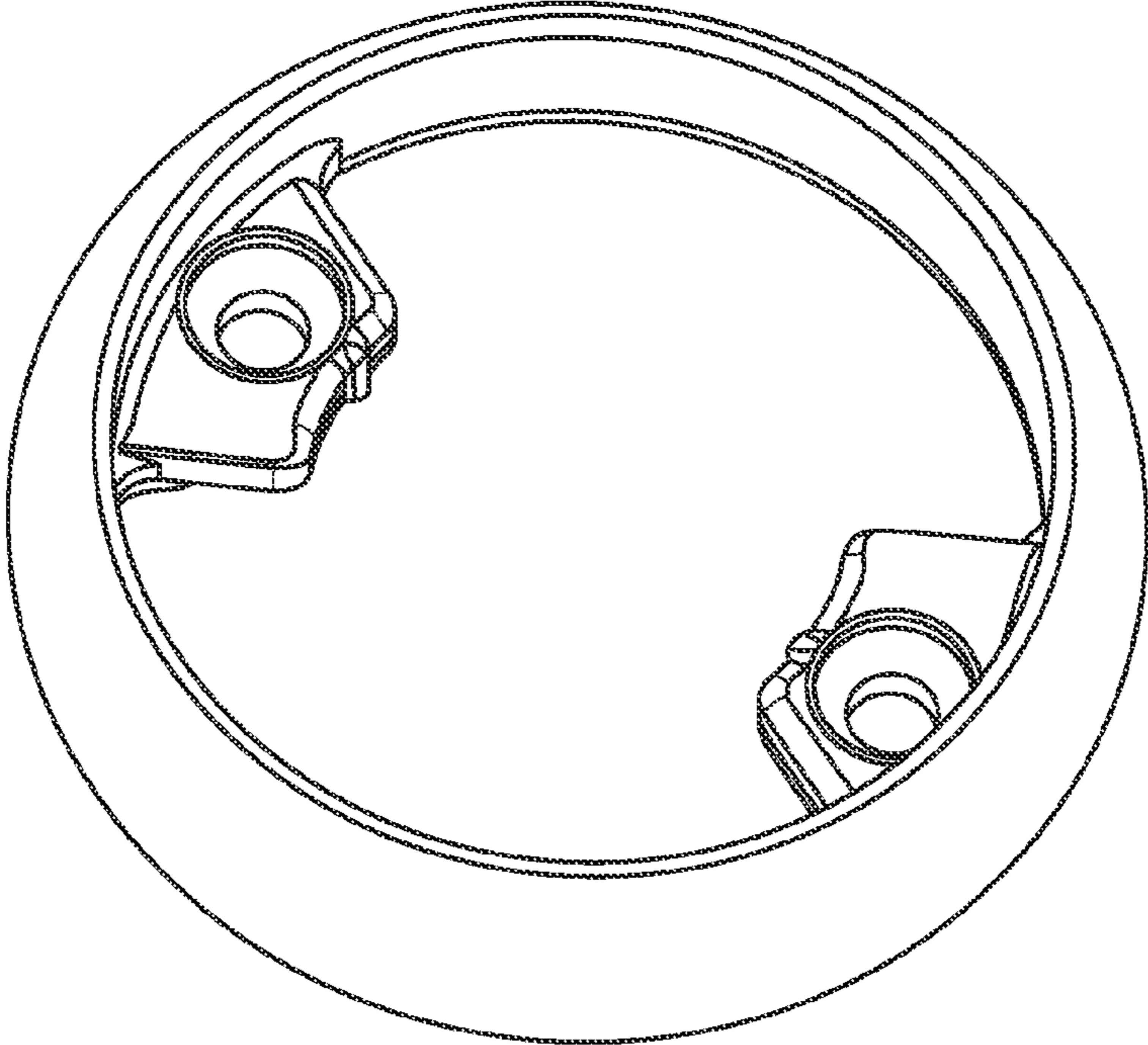


FIG.3

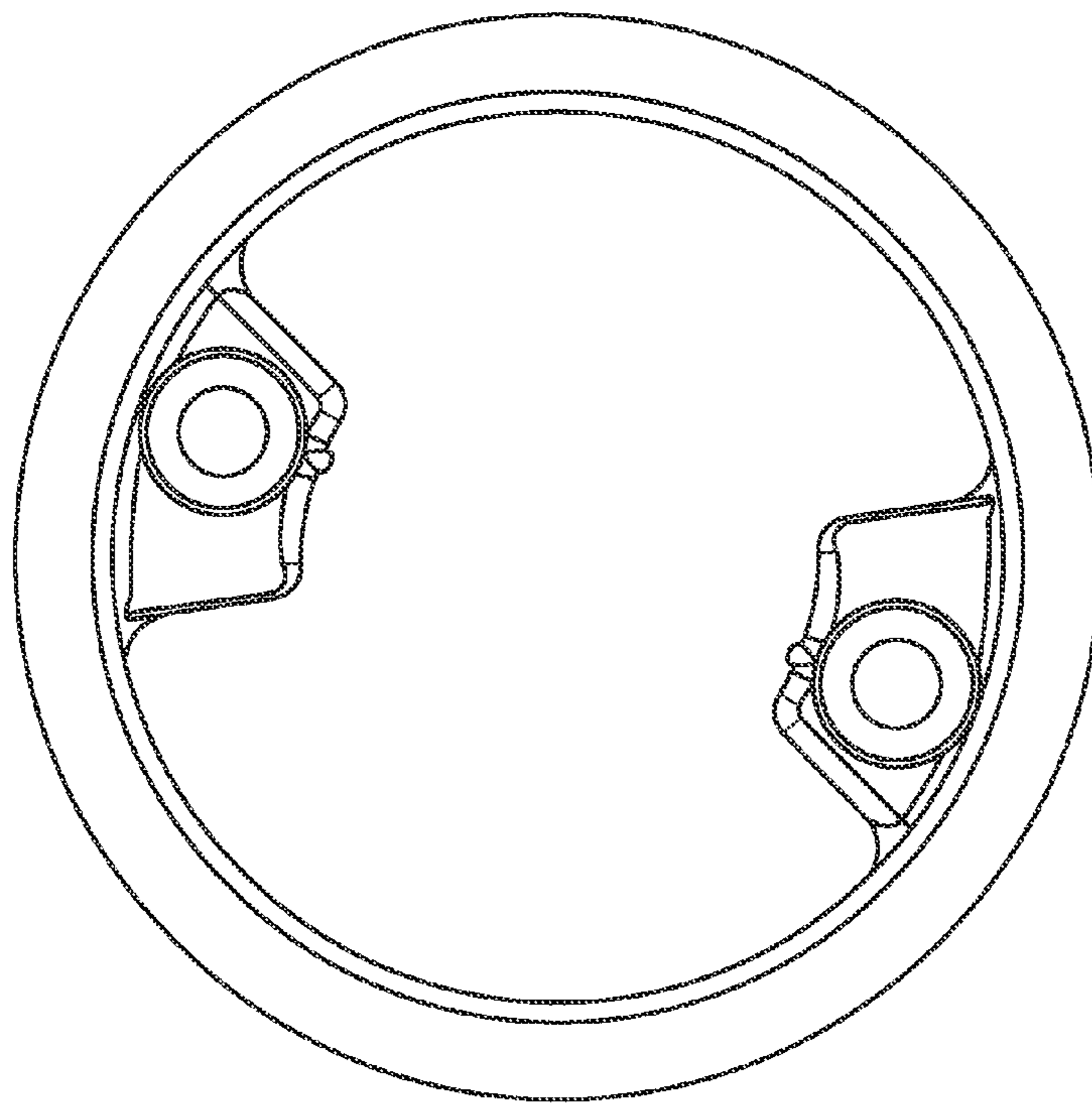


FIG.4