



US00D669376S

(12) **United States Design Patent**
Chen

(10) **Patent No.:** **US D669,376 S**

(45) **Date of Patent:** **** Oct. 23, 2012**

(54) **DIGITAL TIRE PRESSURE GAUGE**

(76) **Inventor:** **Kuo-Liang Chen**, Changhua (TW)

(**) **Term:** **14 Years**

(21) **Appl. No.:** **29/404,333**

(22) **Filed:** **Oct. 19, 2011**

(51) **LOC (9) Cl.** **10-04**

(52) **U.S. Cl.** **D10/86**

(58) **Field of Classification Search** D10/86;
73/732, 744, 742, 717, 741, 146.3, 146.8

See application file for complete search history.

Primary Examiner — Antoine D Davis

(74) *Attorney, Agent, or Firm* — C. G. Mersereau; Nikolai & Mersereau, P.A.

(57) **CLAIM**

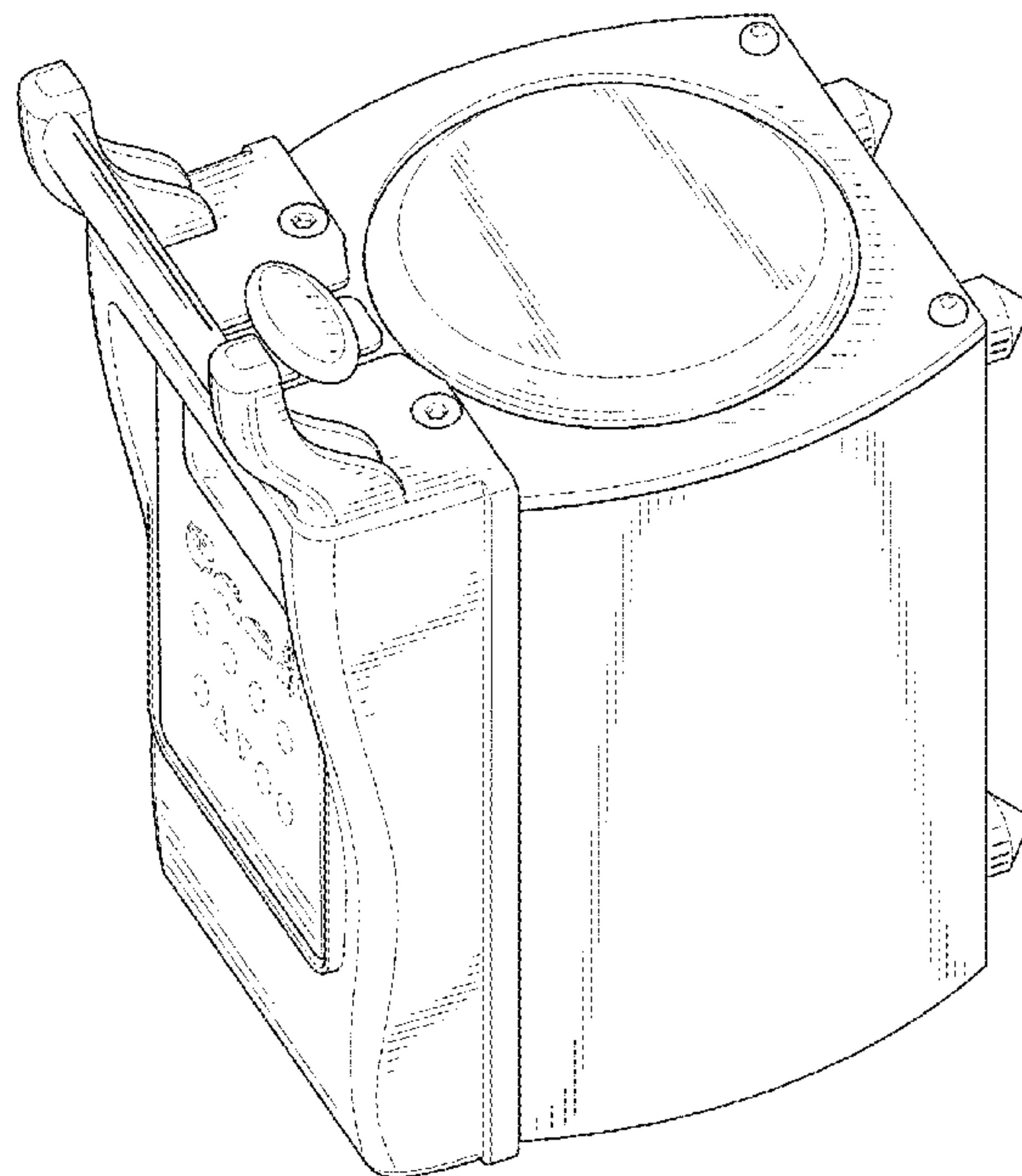
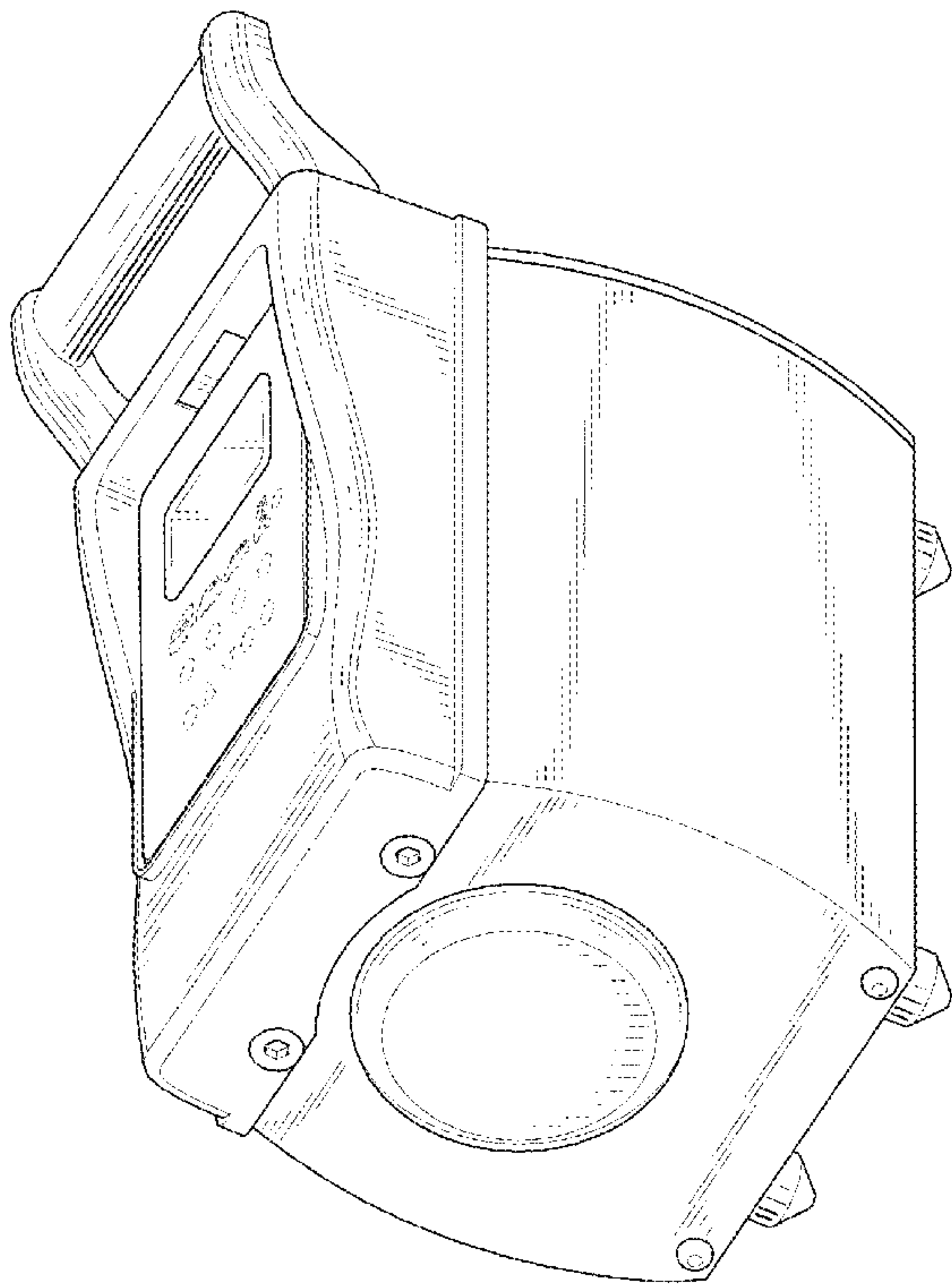
The ornamental design for a digital tire pressure gauge, as shown and described.

DESCRIPTION

FIG. 1 is a perspective view of a digital tire pressure gauge, showing my new design;
FIG. 2 is a front view thereof;
FIG. 3 is a rear view thereof;
FIG. 4 is a left view thereof;
FIG. 5 is a right view thereof;
FIG. 6 is a top view thereof;
FIG. 7 is a bottom view thereof; and,
FIG. 8 is another perspective view thereof.

The broken lines are directed to the environmental structure defining the boundary of the claimed portions of the digital tire pressure gauge and form no part of the claimed design.

1 Claim, 8 Drawing Sheets



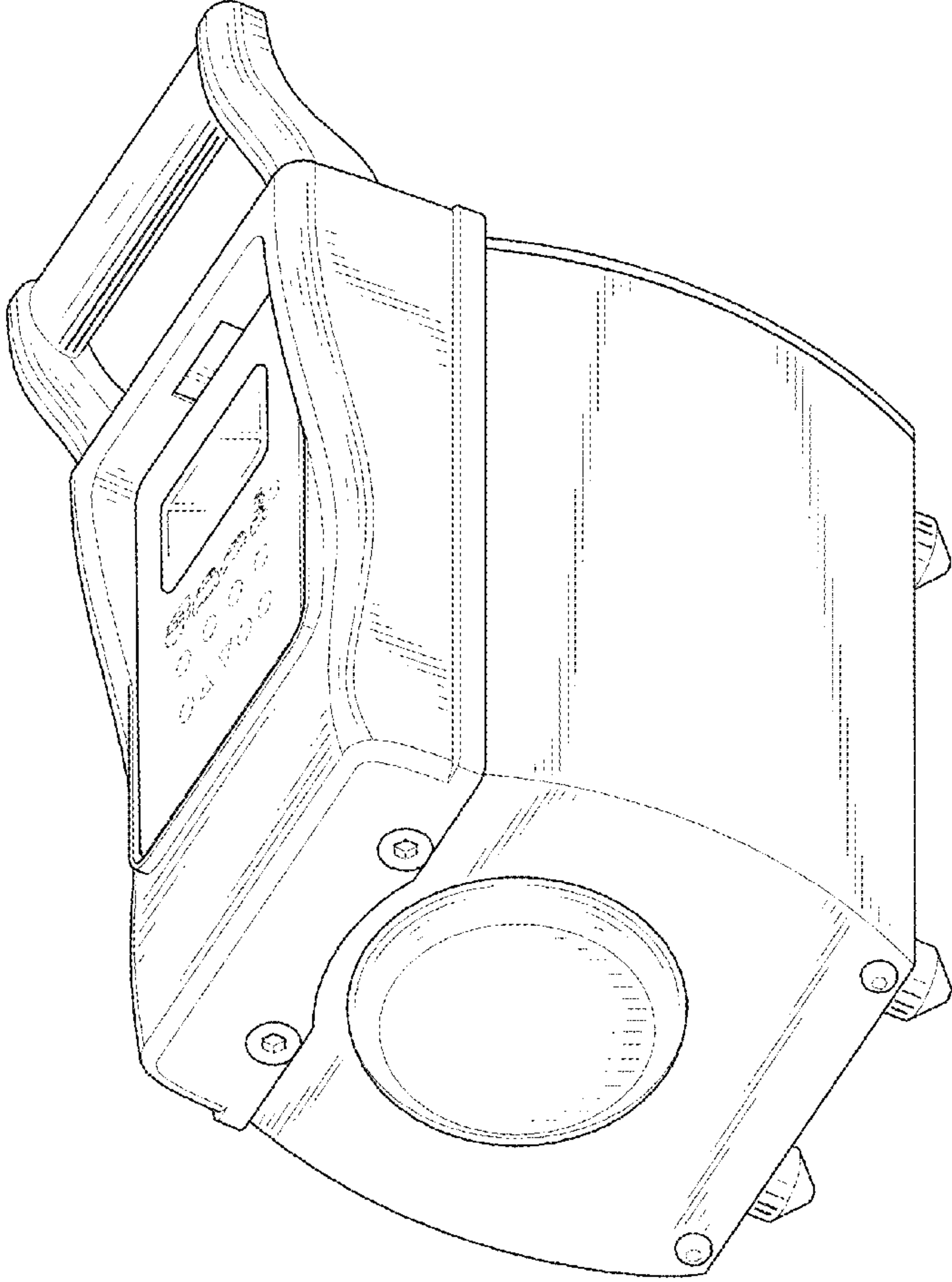


FIG.1

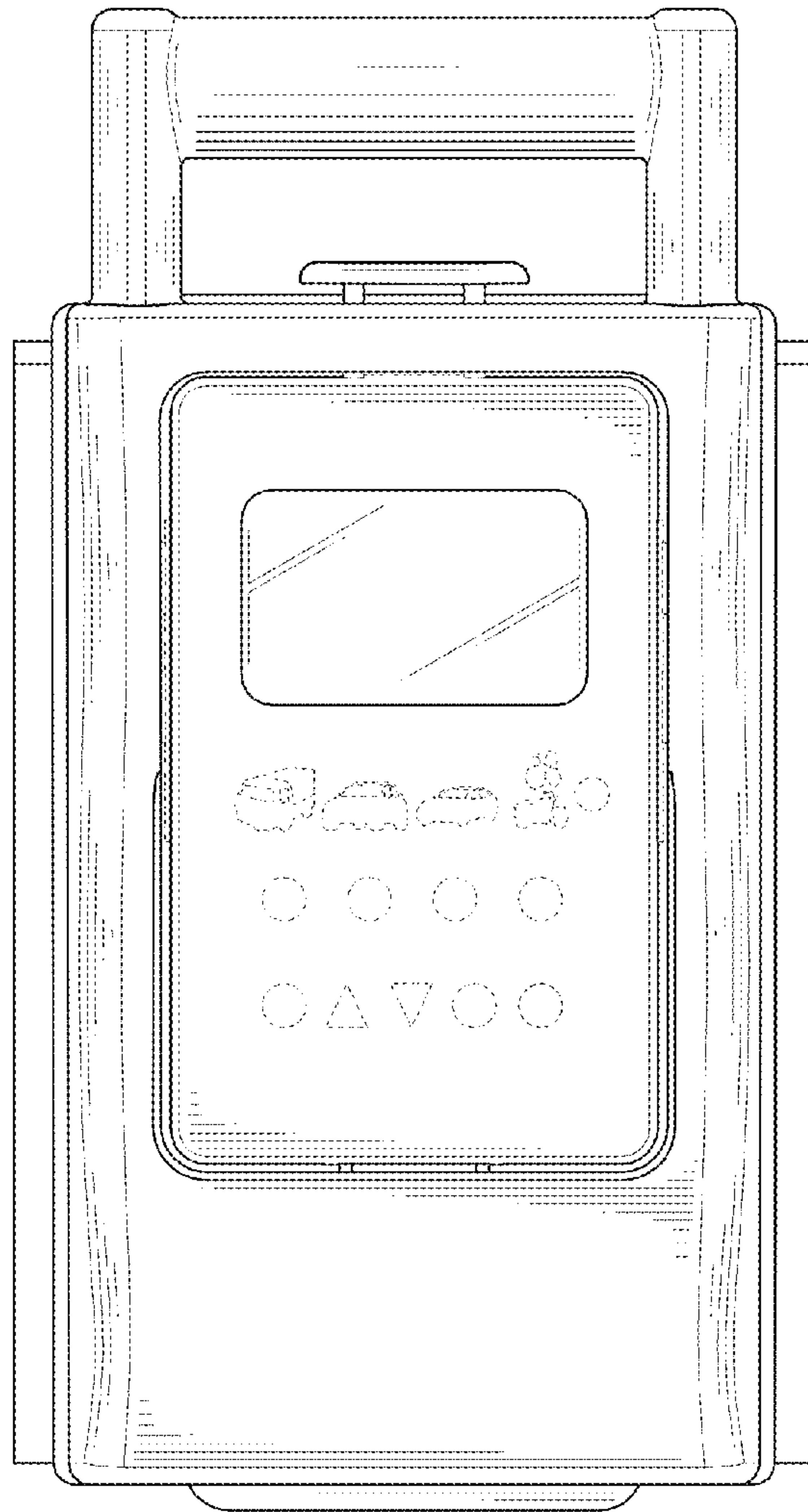


FIG.2

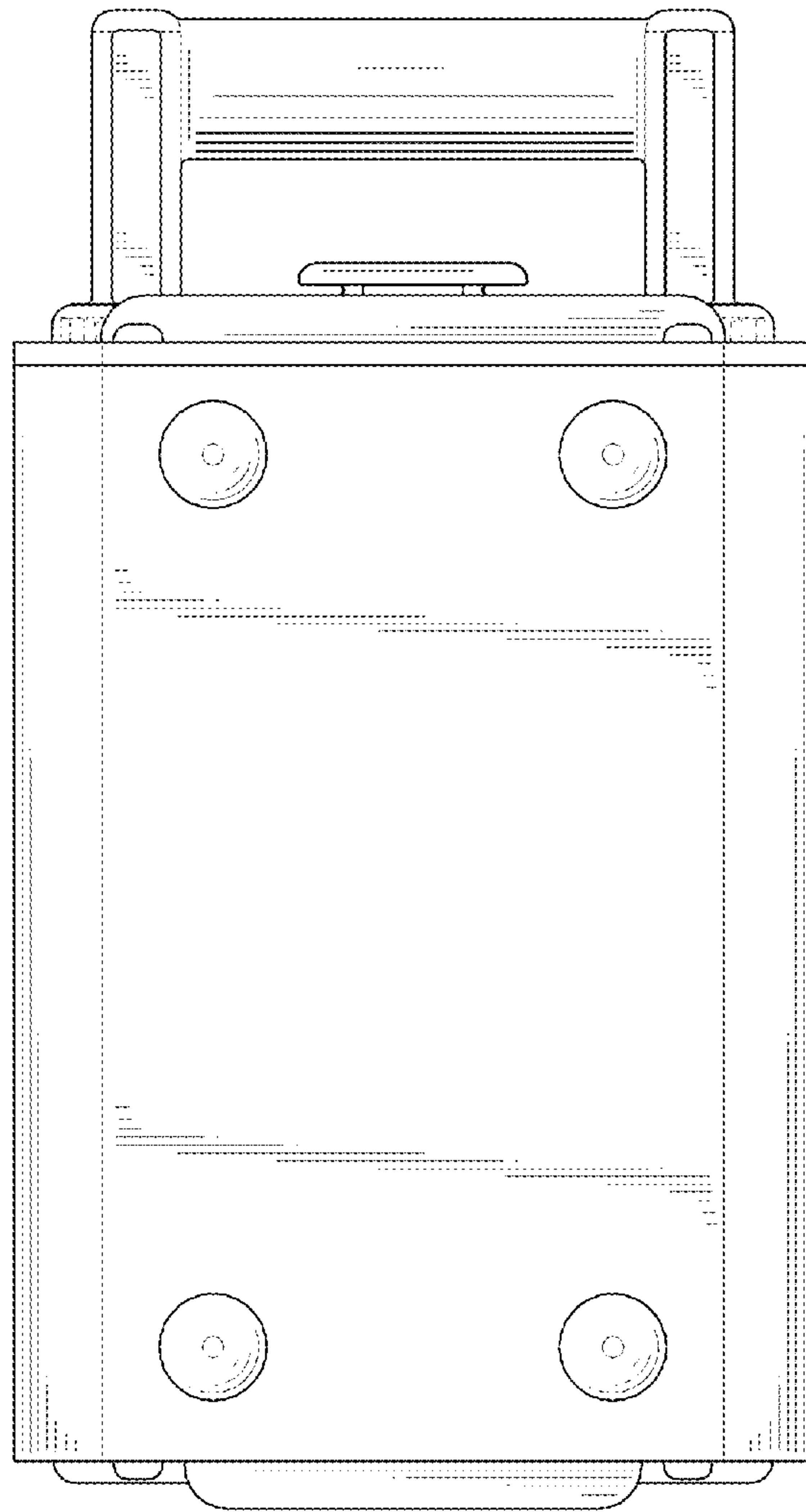


FIG.3

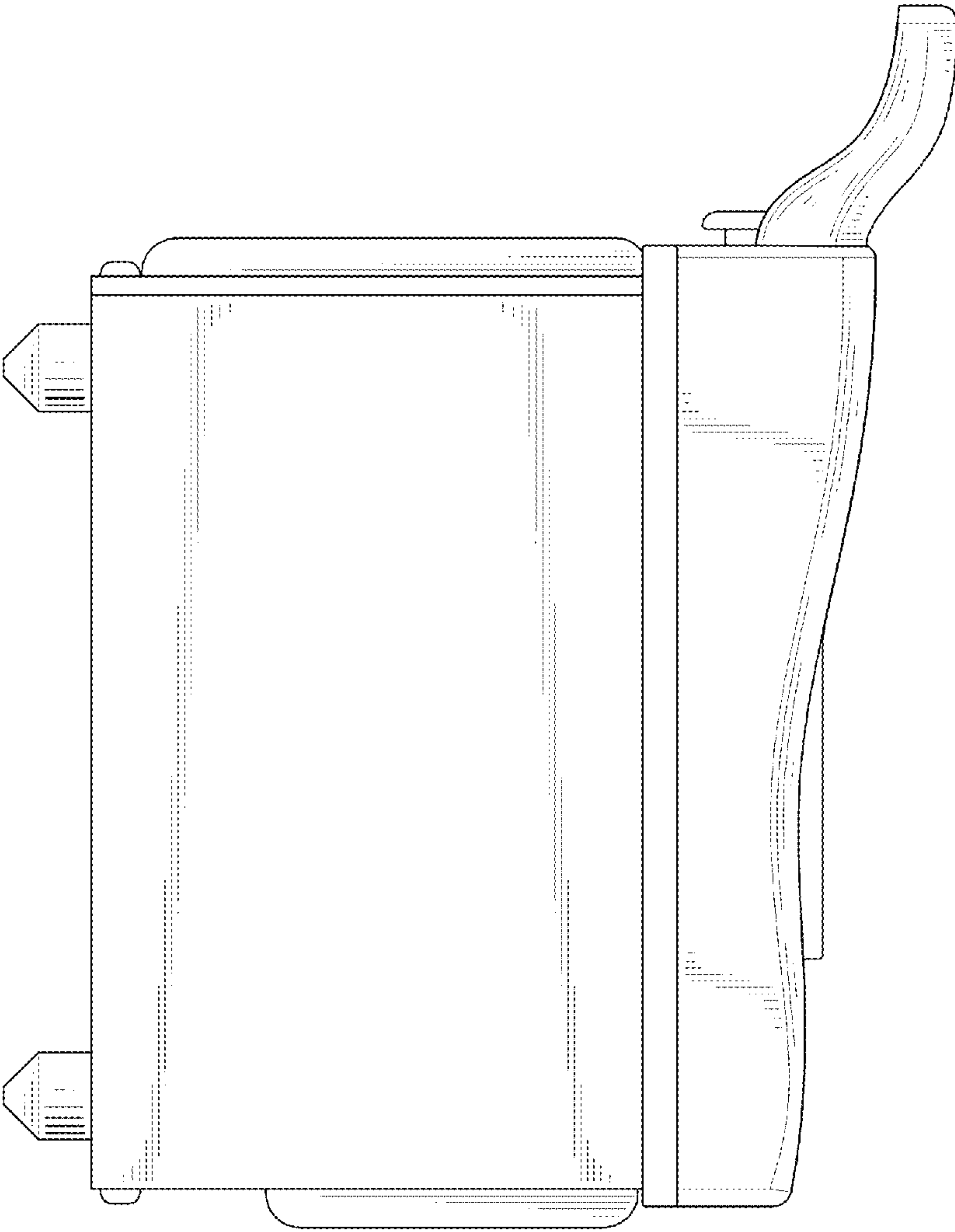


FIG.4

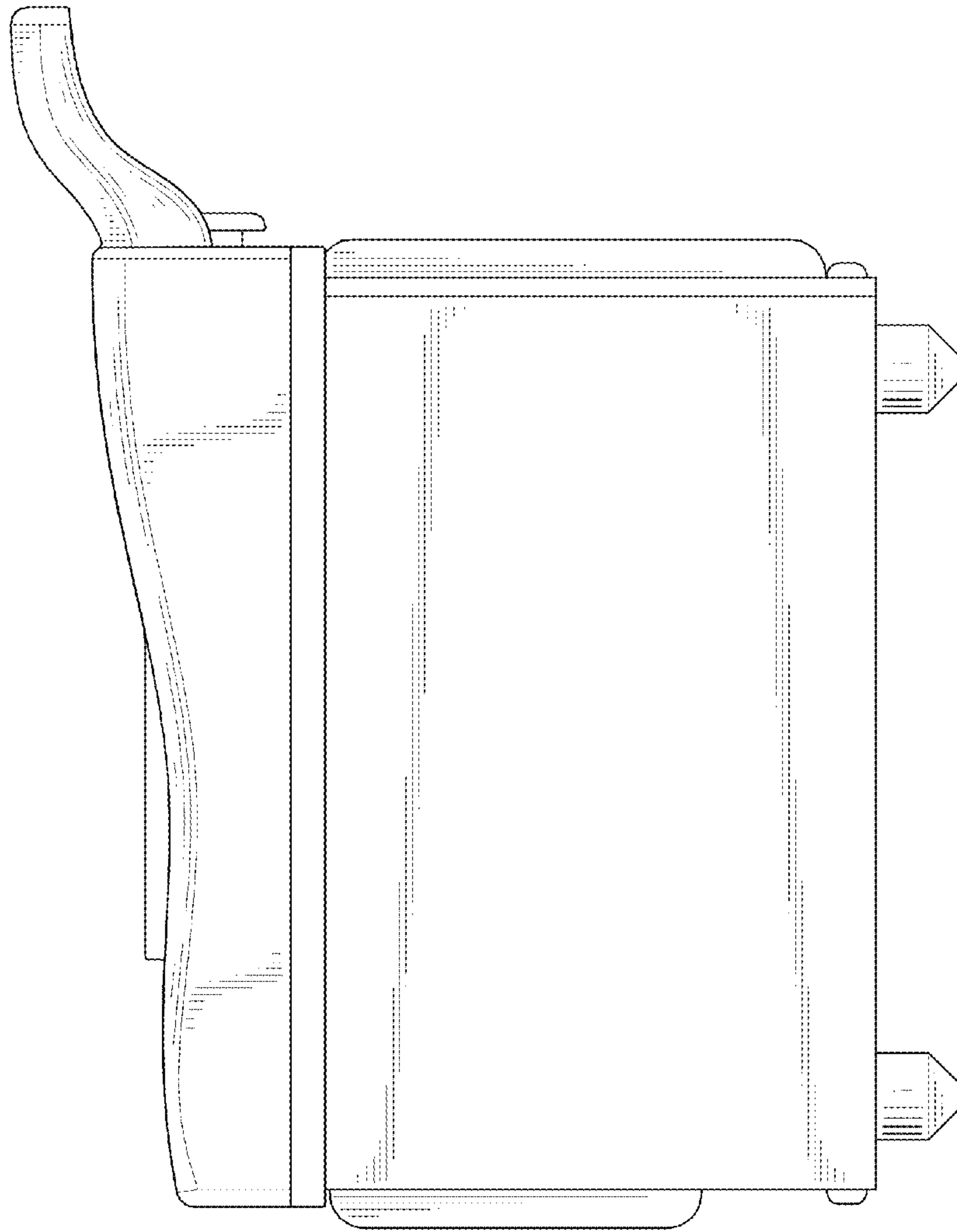


FIG.5

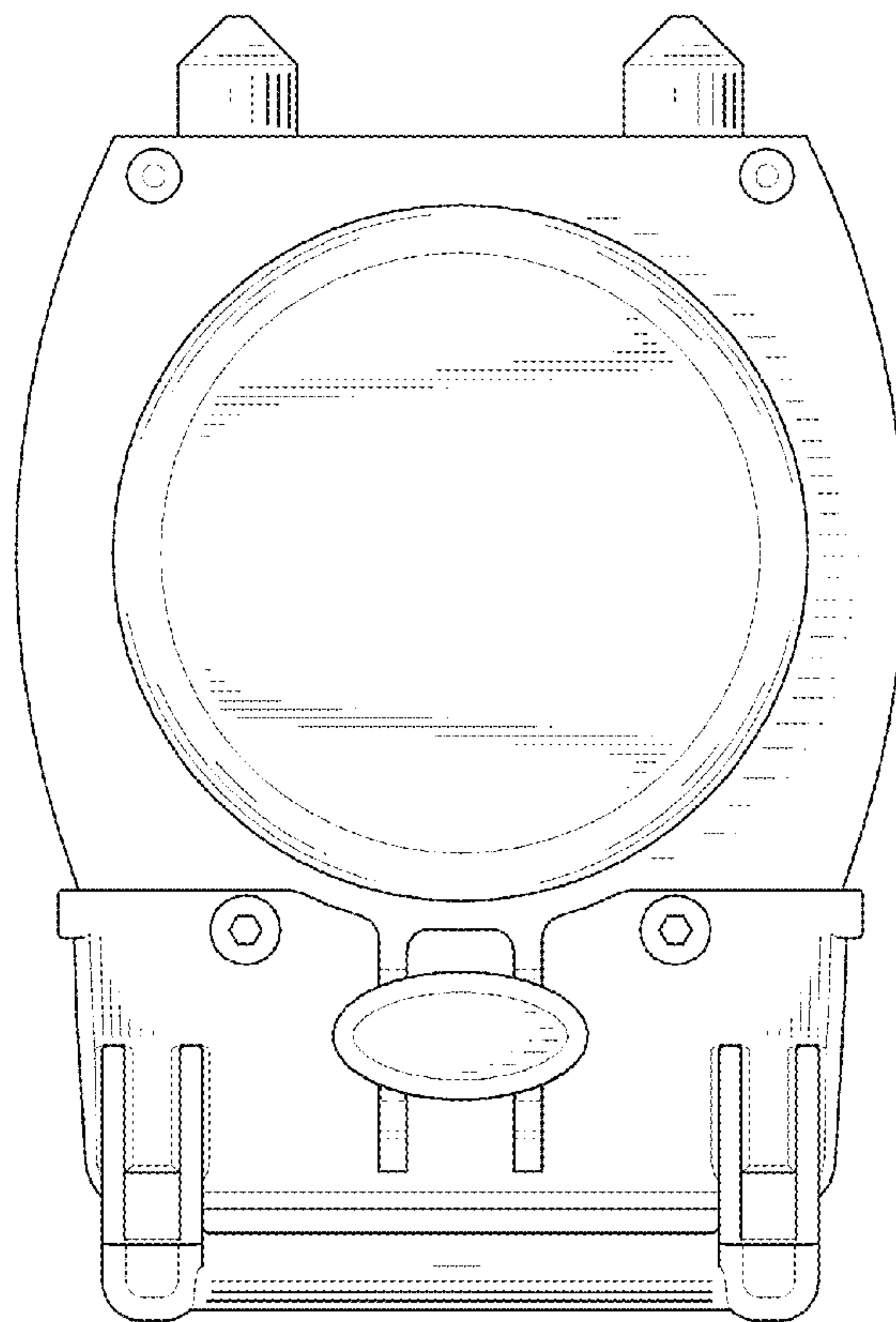


FIG.6

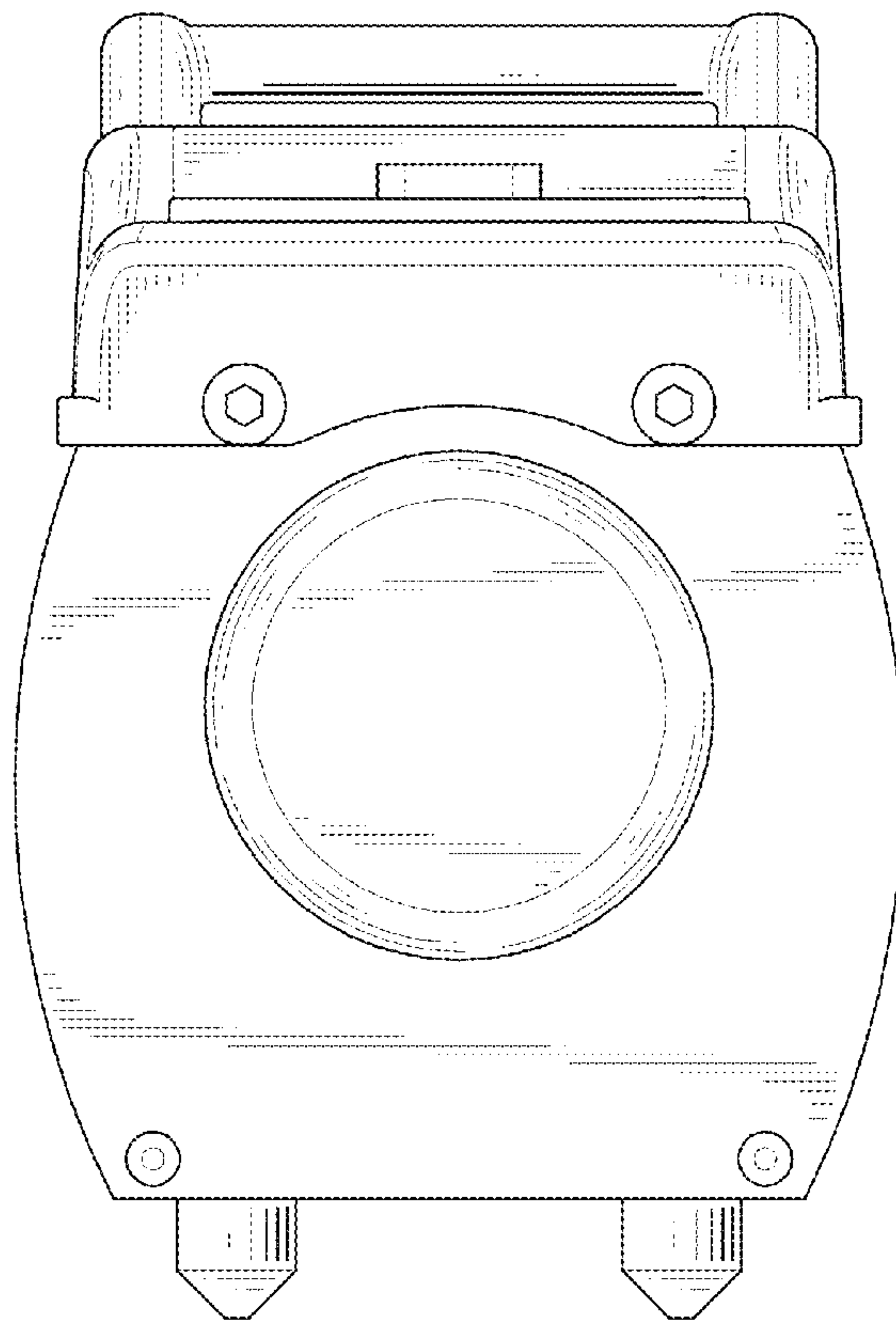


FIG.7

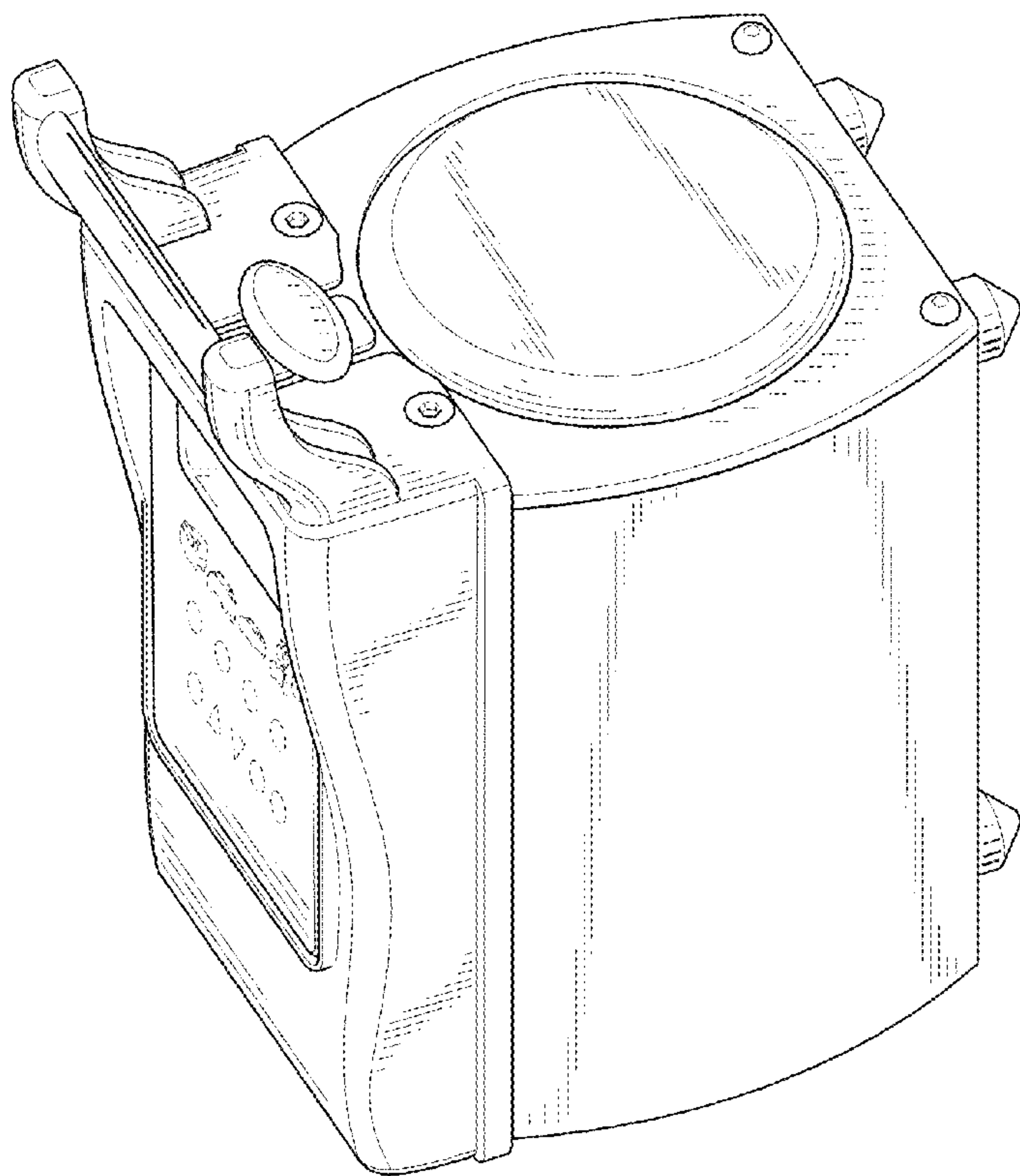


FIG.8