



US00D669374S

(12) **United States Design Patent**
Ishii

(10) **Patent No.:** **US D669,374 S**
(45) **Date of Patent:** **** Oct. 23, 2012**

(54) **SURVEYING INSTRUMENT**

(75) Inventor: **Mitsuo Ishii**, Ageo (JP)

(73) Assignee: **Kabushiki Kaisha Topcon**, Tokyo (JP)

(**) Term: **14 Years**

(21) Appl. No.: **29/387,800**

(22) Filed: **Mar. 18, 2011**

(30) **Foreign Application Priority Data**

Feb. 15, 2011 (JP) 2011-003113

(51) **LOC (9) Cl.** **10-04**

(52) **U.S. Cl.** **D10/66**

(58) **Field of Classification Search** D10/66;
33/276, 277, 281, 285, 286, 290-299, DIG. 21;
356/3, 3.01-3.16, 8, 9, 51, 345

See application file for complete search history.

(56) **References Cited**

U.S. PATENT DOCUMENTS

D235,318 S *	6/1975	Kool	D10/66
D235,525 S *	6/1975	Kool	D10/66
D252,918 S *	9/1979	Kooi	D10/66
D333,276 S *	2/1993	Donn	D10/66

D386,993 S *	12/1997	Fujii et al.	D10/66
6,427,347 B1 *	8/2002	Butler, Sr.	33/DIG. 21
D596,515 S *	7/2009	Nakamura et al.	D10/69
2010/0134617 A1 *	6/2010	Guertler	348/E05.022

* cited by examiner

Primary Examiner — Antoine D Davis

(74) *Attorney, Agent, or Firm* — Wenderoth, Lind & Ponack, L.L.P.

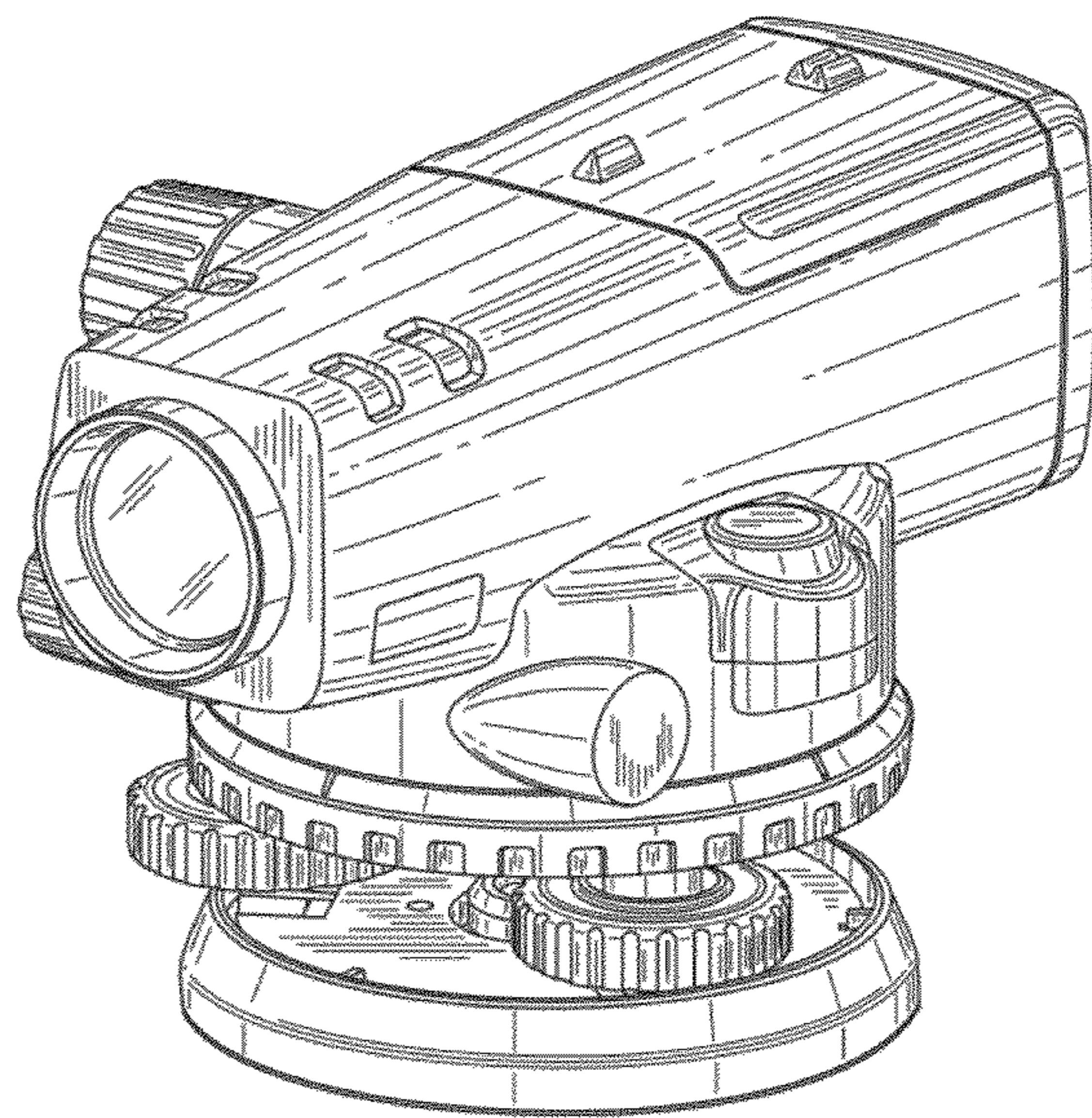
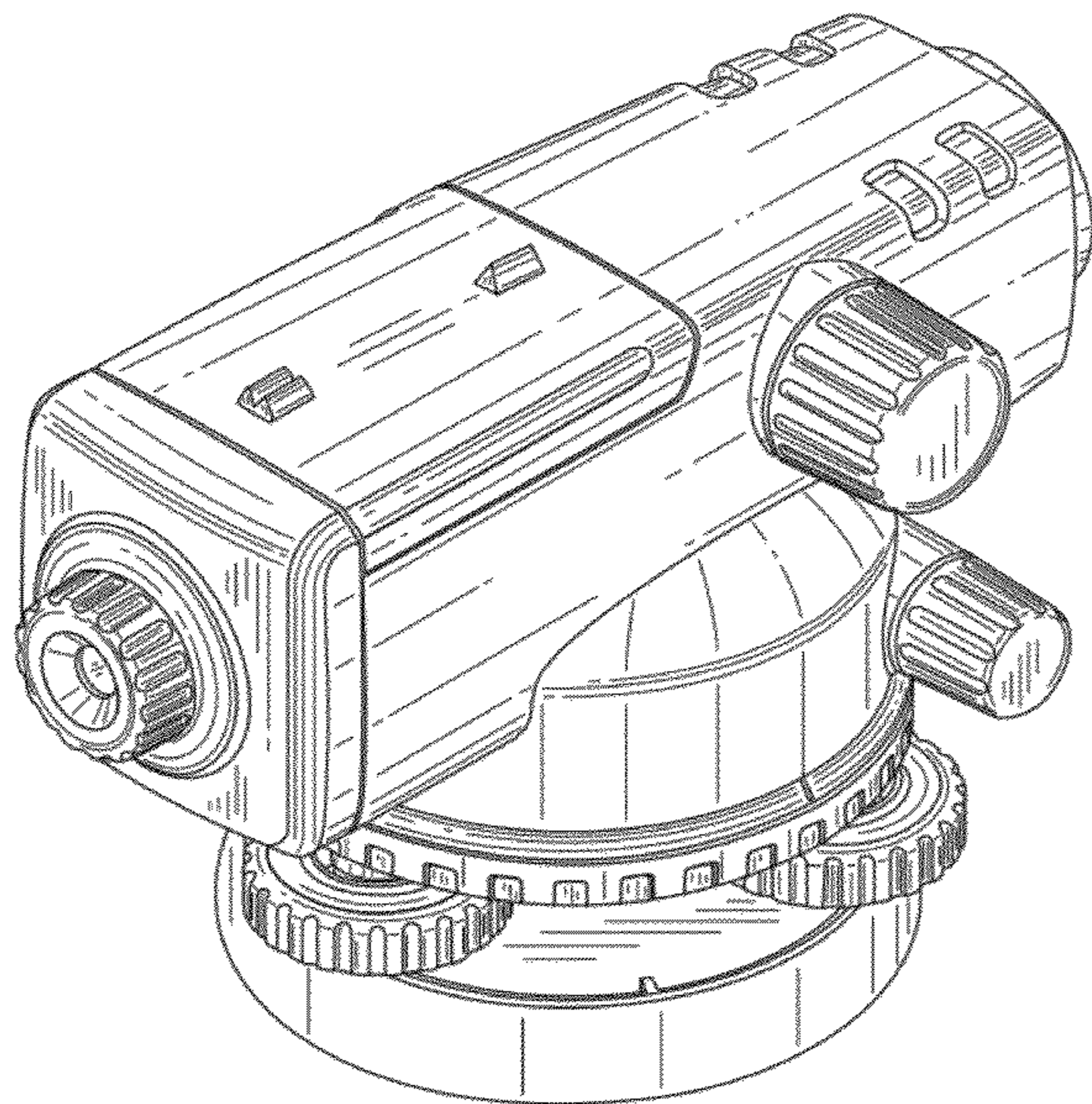
(57) **CLAIM**

The ornamental design for a surveying instrument, as shown and described.

DESCRIPTION

FIG. 1 is a front elevational view of a surveying instrument; FIG. 2 is a rear elevational view thereof; FIG. 3 is a left side elevational view thereof; FIG. 4 is a right side elevational view thereof; FIG. 5 is a top plan view thereof; FIG. 6 is a bottom plan view thereof; FIG. 7 is a right side perspective view thereof; and, FIG. 8 is a left side perspective view thereof. Features on the bottom of the surveying instrument and shown in broken lines are hereby disclaimed and thus form no part of the claimed design.

1 Claim, 7 Drawing Sheets



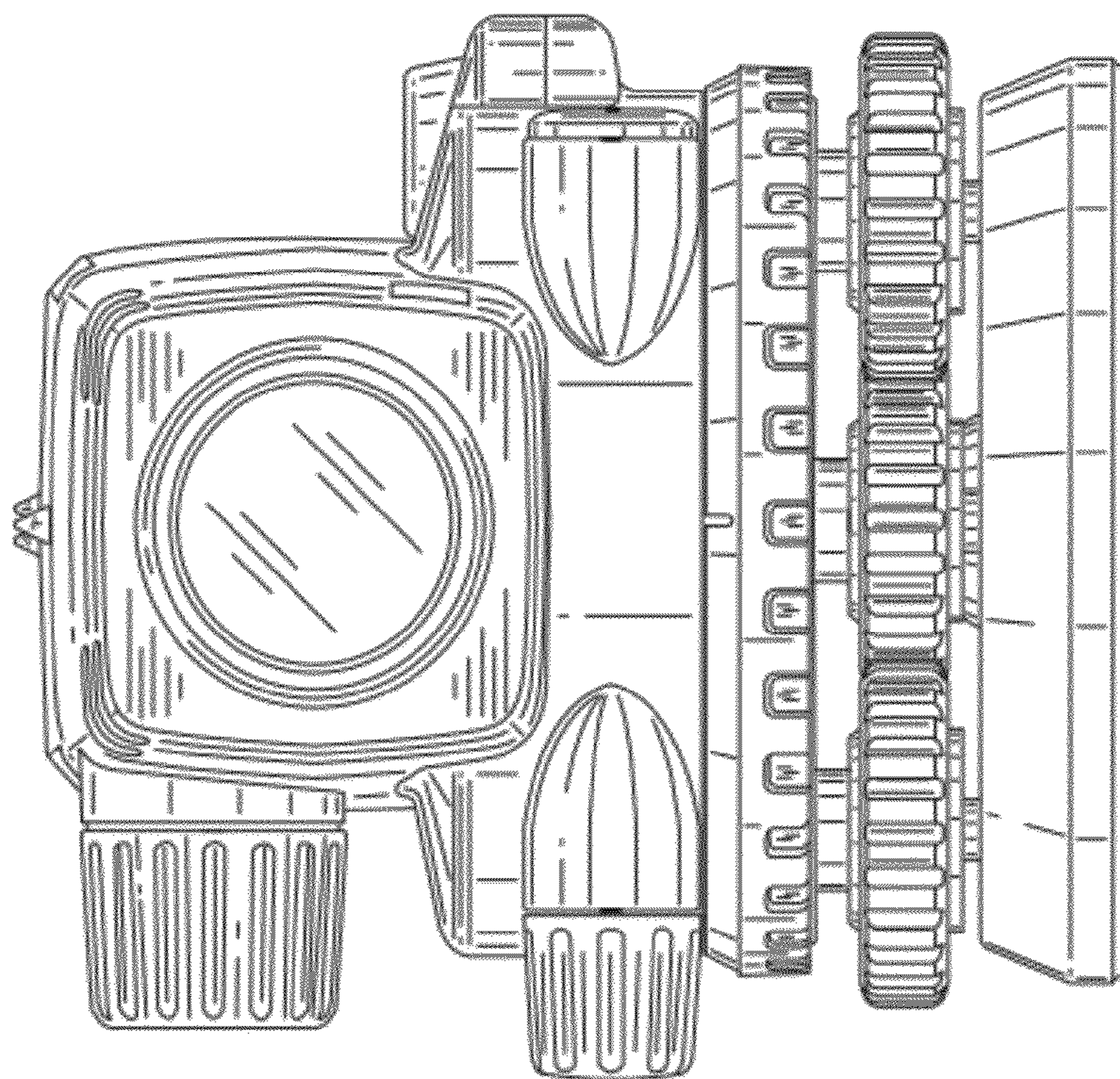


FIG. 2

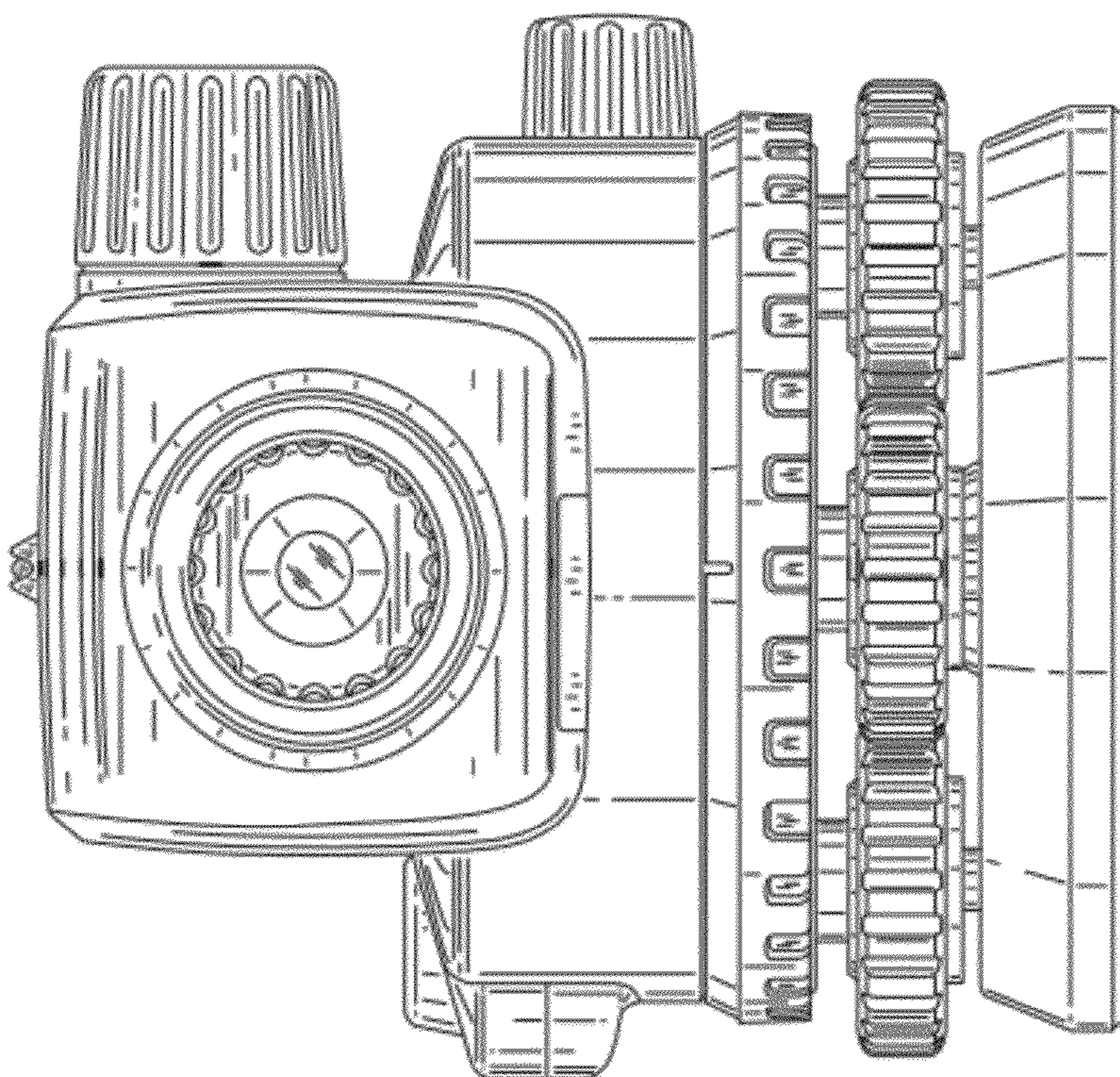


FIG. 1

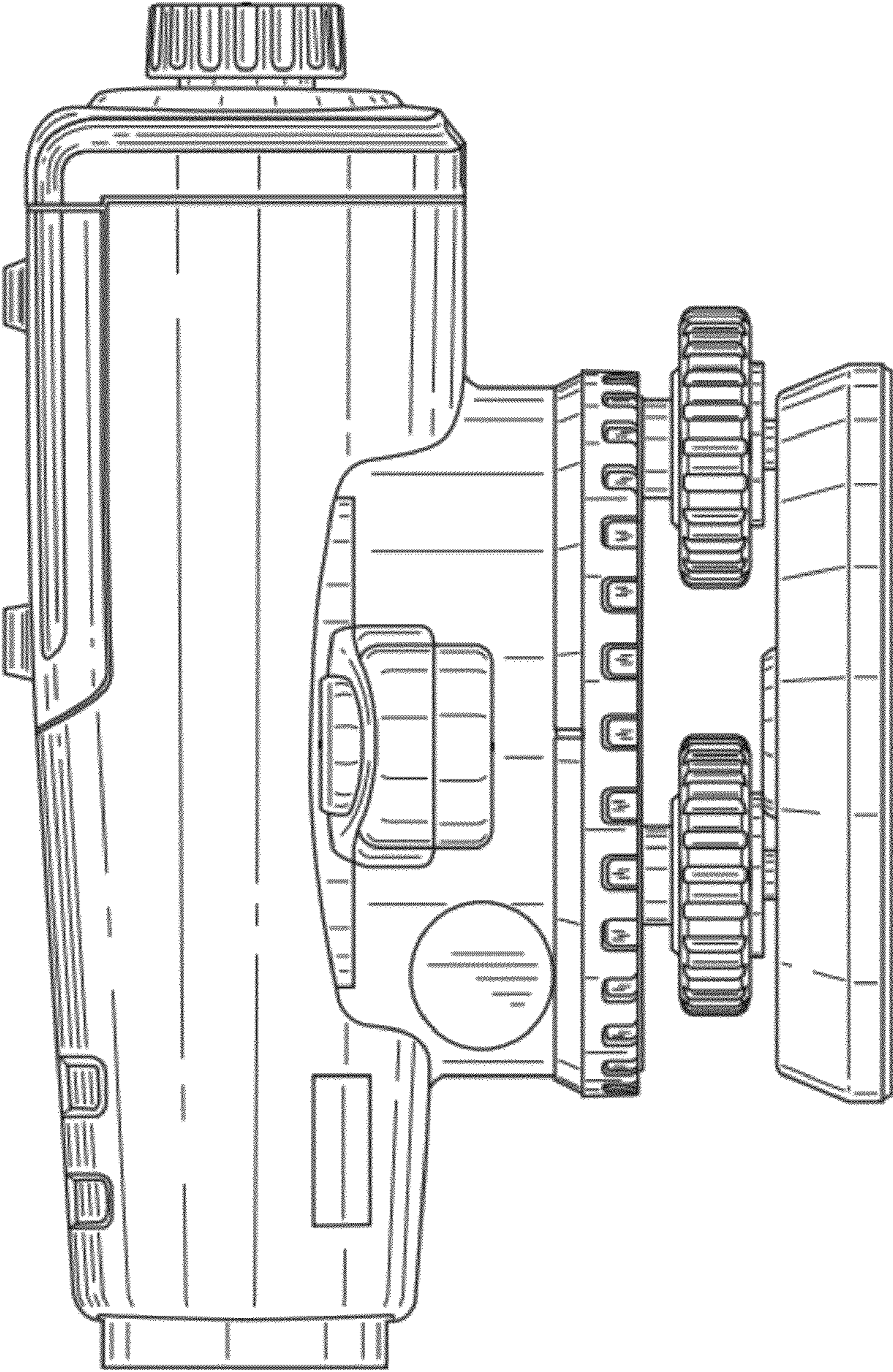


FIG. 3

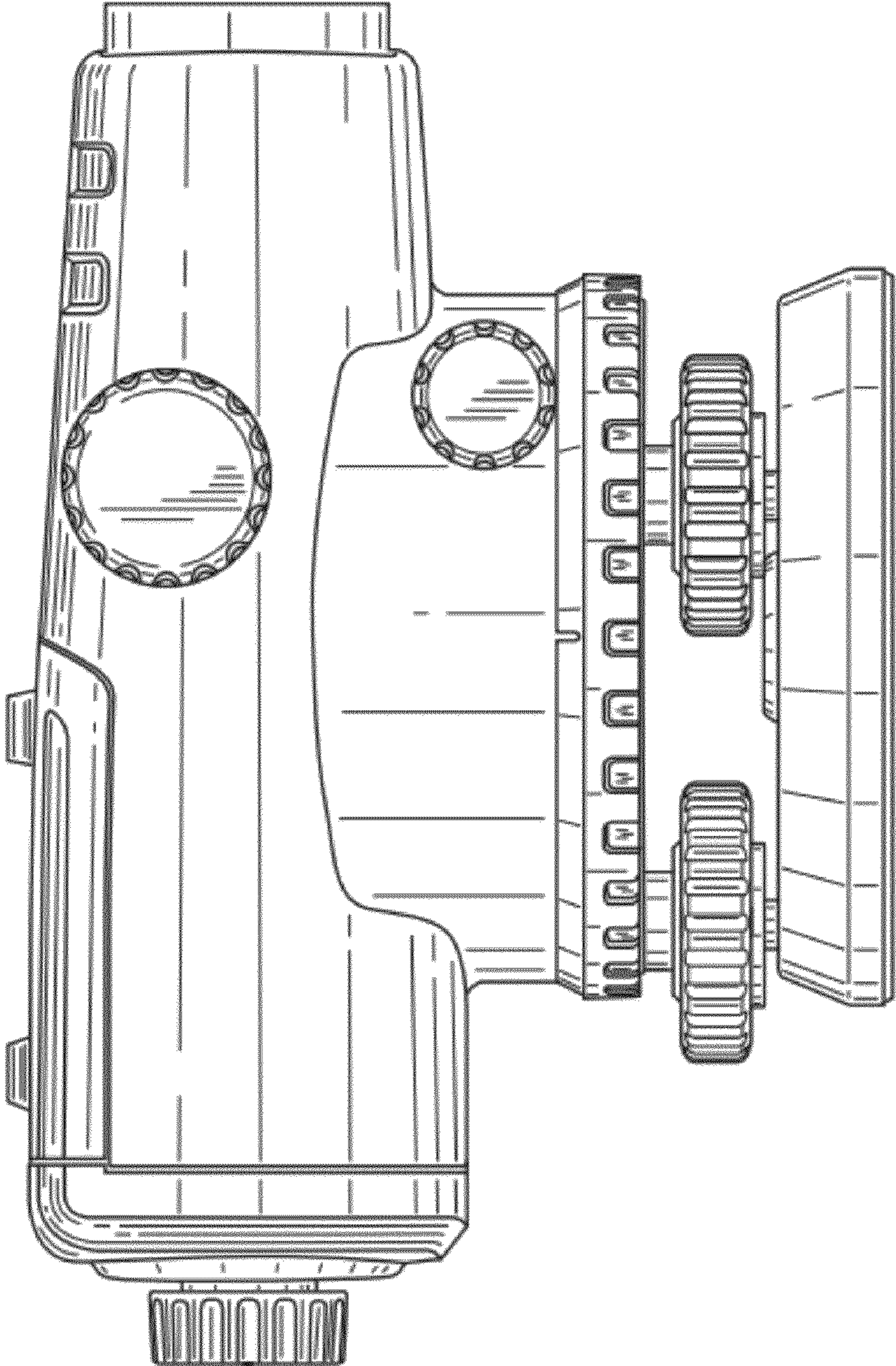


FIG. 4

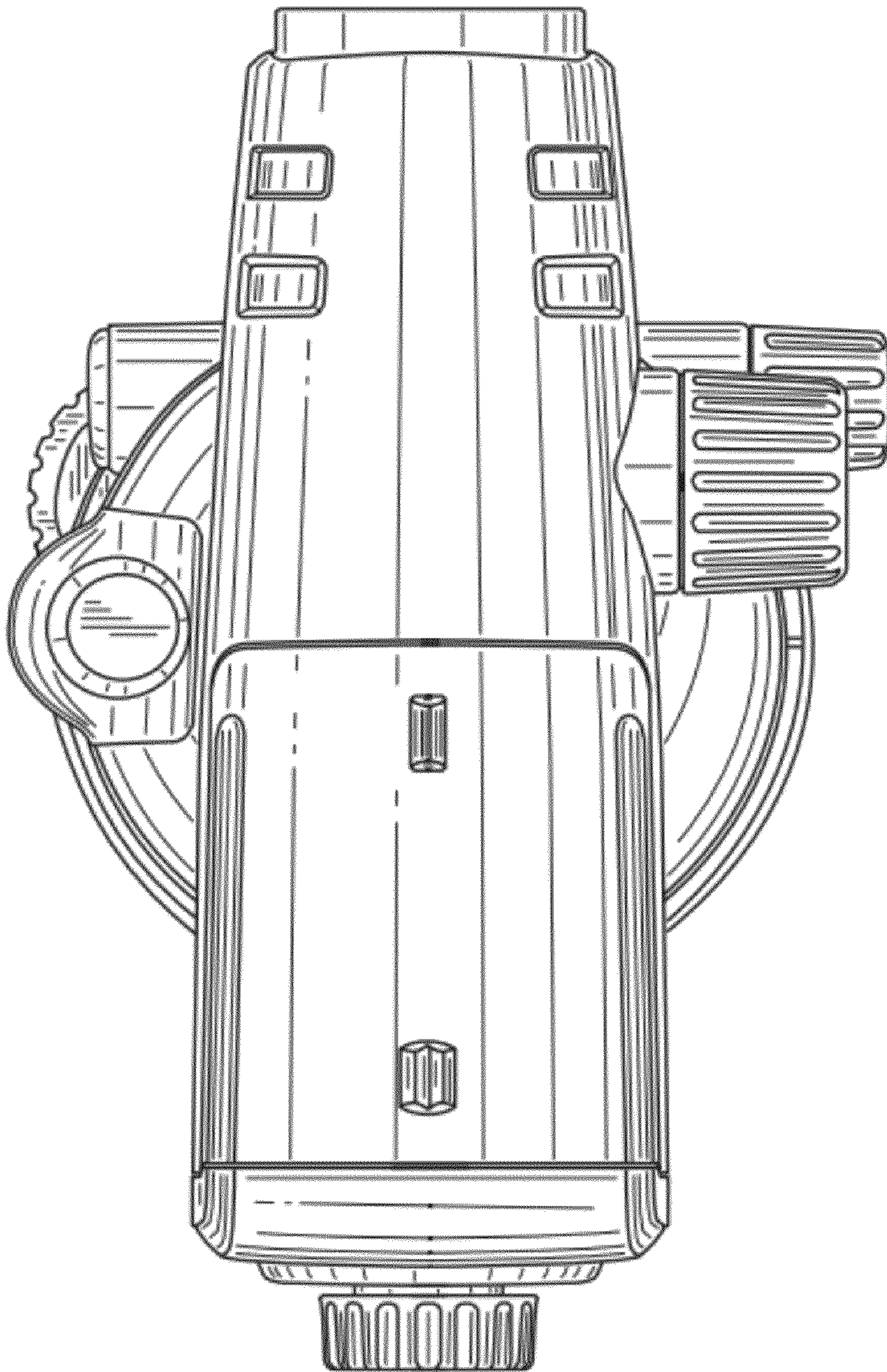


FIG. 5

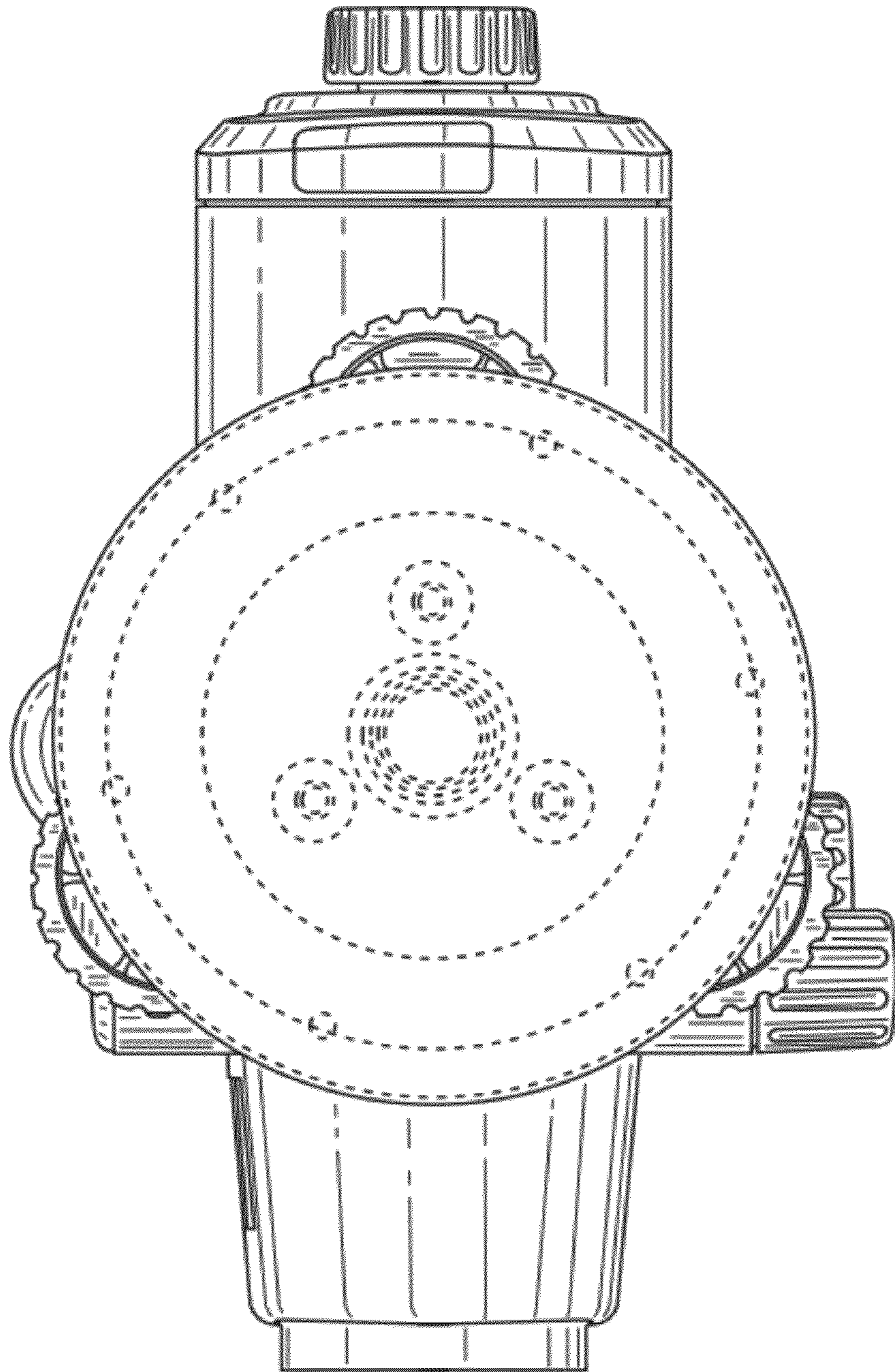


FIG. 6

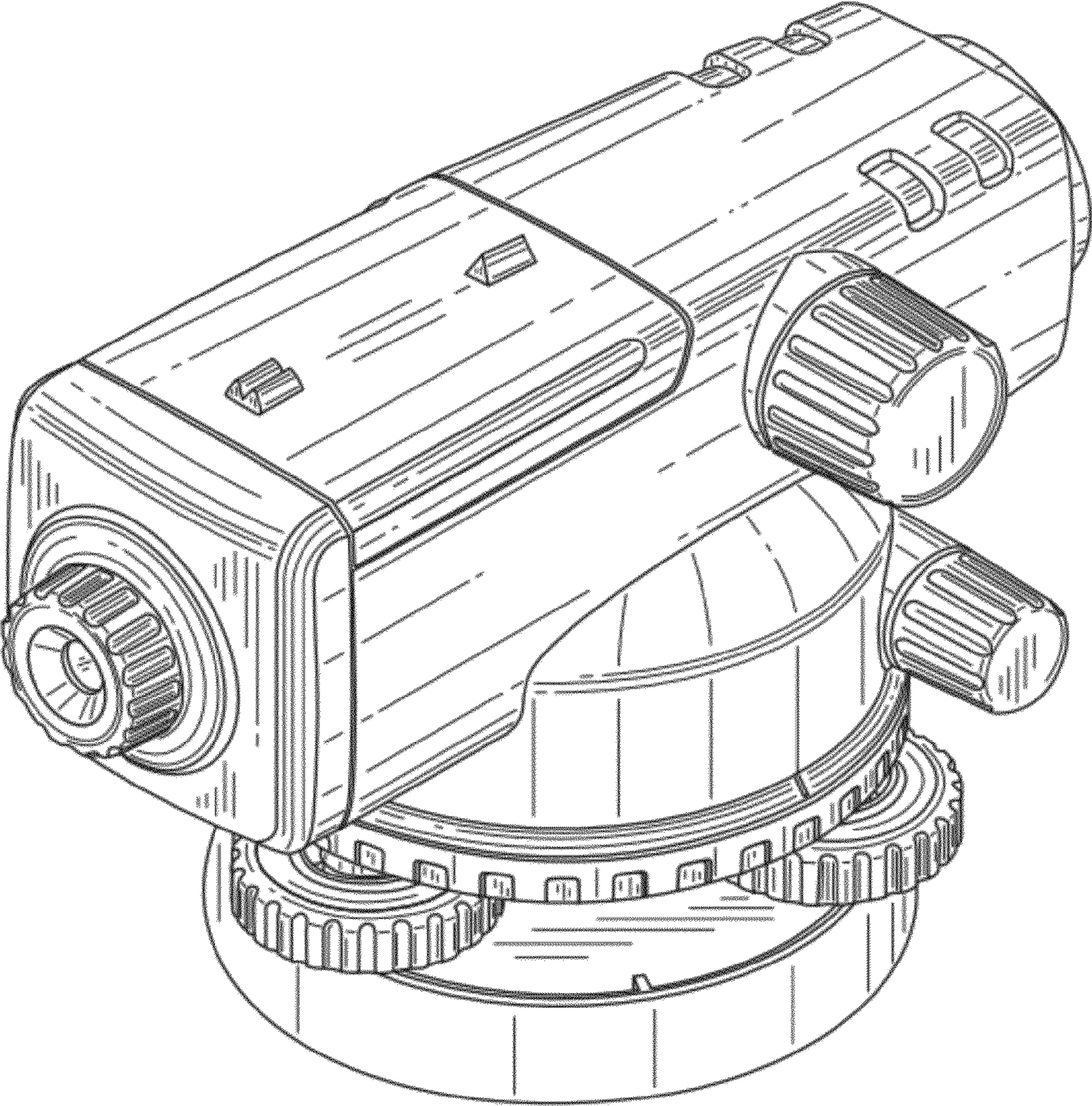


FIG. 7

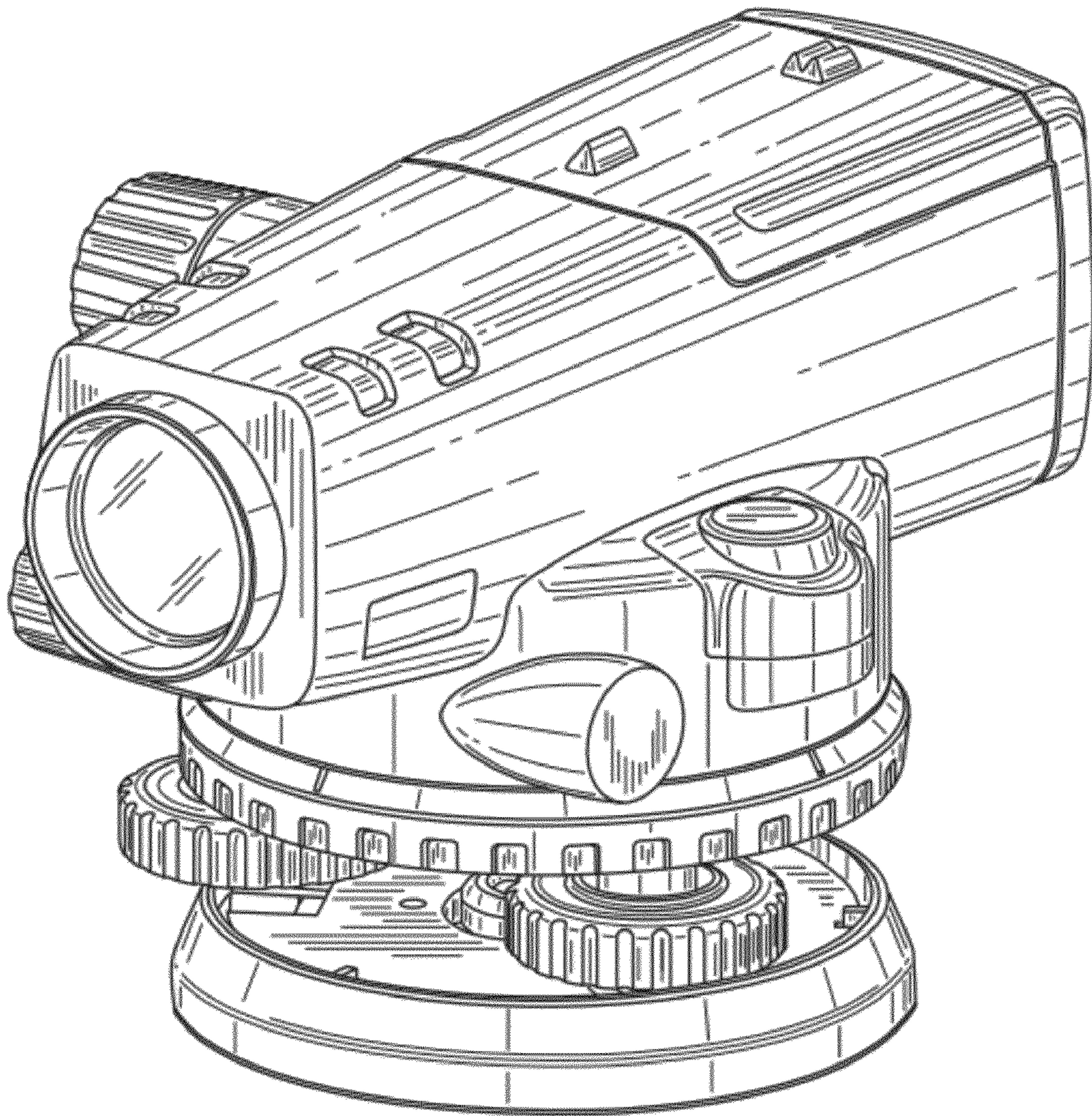


FIG. 8