



US00D669371S

(12) **United States Design Patent**  
**Rasumowsky**

(10) **Patent No.:** **US D669,371 S**

(45) **Date of Patent:** **\*\* Oct. 23, 2012**

(54) **WATCH**

(76) Inventor: **Daniel Rasumowsky**, Zurich (CH)

(\*\*) Term: **14 Years**

(21) Appl. No.: **29/423,066**

(22) Filed: **May 29, 2012**

**Related U.S. Application Data**

(62) Division of application No. 29/387,762, filed on Mar. 17, 2011.

(51) **LOC (9) Cl.** ..... **10-02**

(52) **U.S. Cl.** ..... **D10/38; D10/33**

(58) **Field of Classification Search** ..... D10/30-39;  
368/276, 281, 282; D11/44, 48, 81; D3/211;  
D16/327, 328

See application file for complete search history.

(56) **References Cited**

**U.S. PATENT DOCUMENTS**

D407,030	S	*	3/1999	Toyoshima et al.	.....	D10/39
D432,557	S	*	10/2000	Simioni et al.	.....	D16/327
D439,527	S	*	3/2001	Kennedy	.....	D10/30
D445,041	S	*	7/2001	Tan et al.	.....	D10/32
D462,375	S	*	9/2002	Baden et al.	.....	D16/326
D486,075	S	*	2/2004	Frank	.....	D10/38
D493,371	S	*	7/2004	Streltsov	.....	D10/30
D497,812	S	*	11/2004	Modolo	.....	D10/32
D503,115	S	*	3/2005	Goto et al.	.....	D10/32
D514,456	S	*	2/2006	Kojima	.....	D10/38

D515,945	S	*	2/2006	Goto et al.	.....	D10/32
D526,580	S	*	8/2006	Burton	.....	D10/38
D527,281	S	*	8/2006	Kojima et al.	.....	D10/32
D544,901	S	*	6/2007	Fuchs	.....	D16/327
D608,222	S	*	1/2010	Kimura	.....	D10/32
D608,663	S	*	1/2010	Kimura	.....	D10/38
D626,436	S	*	11/2010	Kimura	.....	D10/38
D654,814	S	*	2/2012	Kumano et al.	.....	D10/32
D654,815	S	*	2/2012	Kumano et al.	.....	D10/32

\* cited by examiner

*Primary Examiner* — Lucy Lieberman

(74) *Attorney, Agent, or Firm* — Daniel I. Hwang; Pattishall, McAuliffe, Newbury, Hilliard & Geraldson LLP

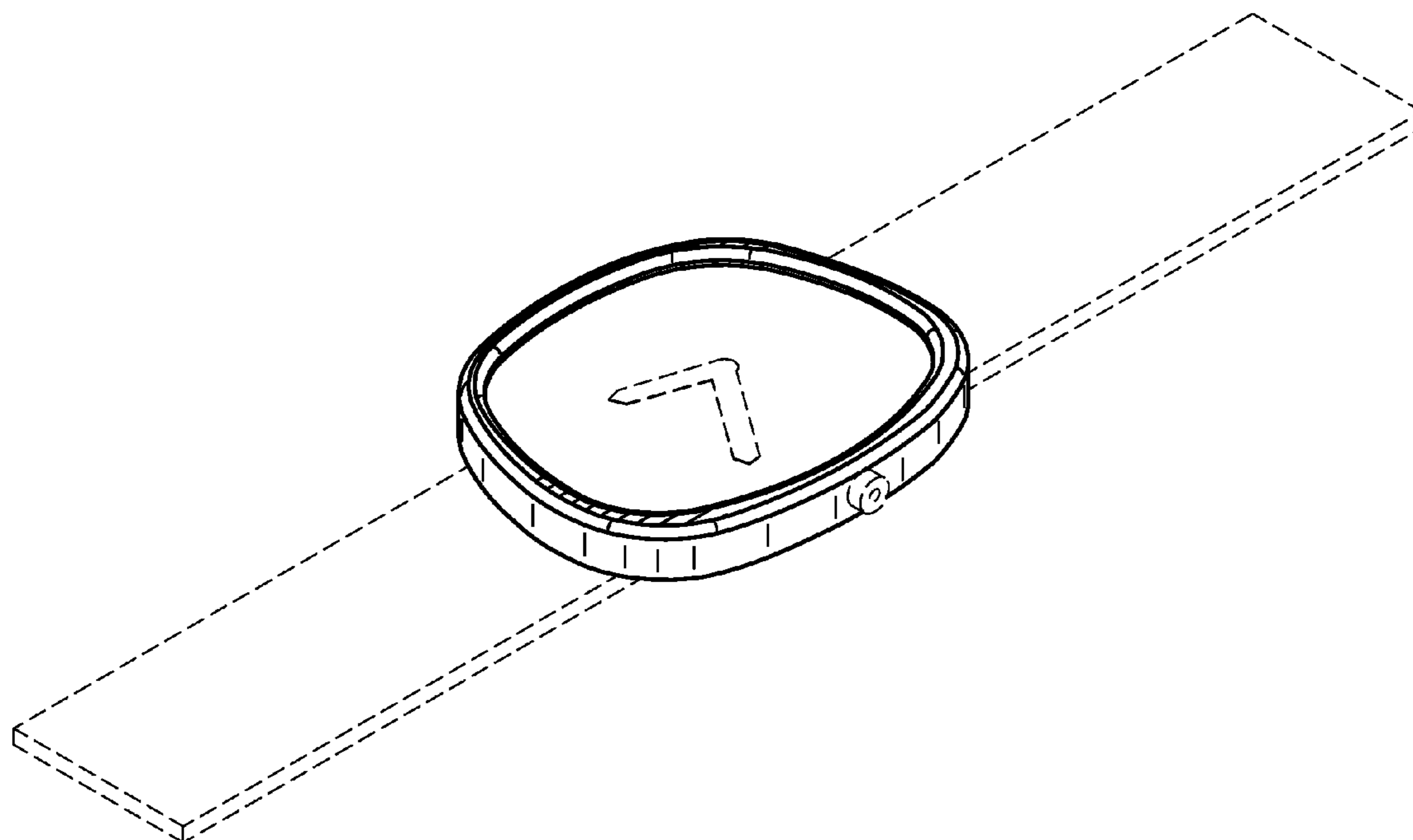
(57) **CLAIM**

The ornamental design for a watch, as shown and described.

**DESCRIPTION**

FIG. 1 is a front view of a watch;  
FIG. 2 is a rear view thereof;  
FIG. 3 is a right side view thereof;  
FIG. 4 is left side view thereof;  
FIG. 5 is bottom view thereof;  
FIG. 6 is top view thereof;  
FIG. 7 is a rear perspective view thereof; and,  
FIG. 8 is a front perspective view thereof.  
The broken lines are directed to environment and are for illustrative purposes only; the broken lines form no part of the claimed design.

**1 Claim, 4 Drawing Sheets**



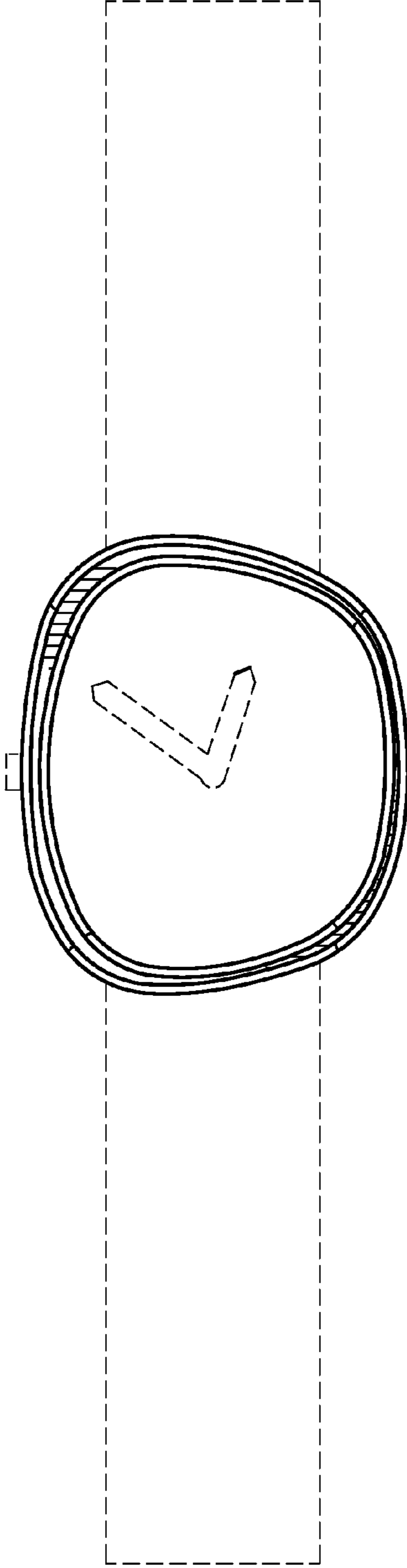


FIG. 1

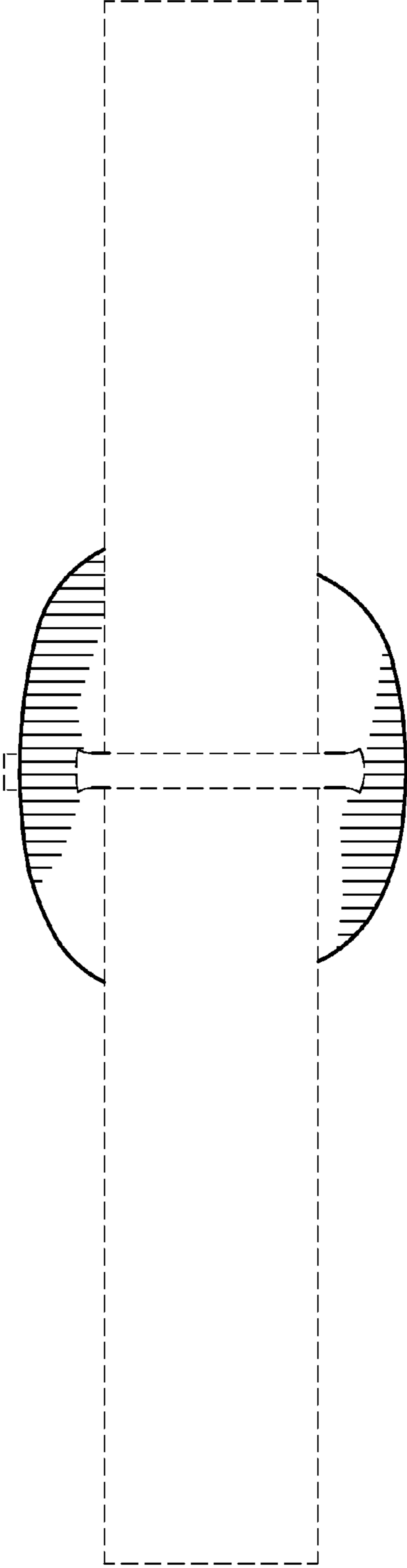


FIG. 2

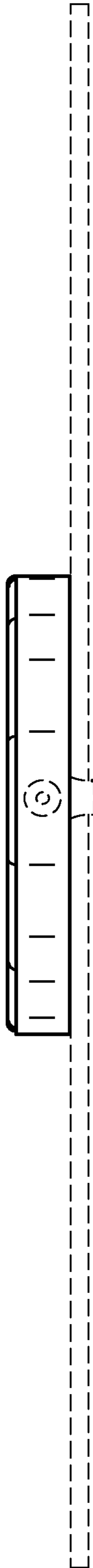


FIG. 3

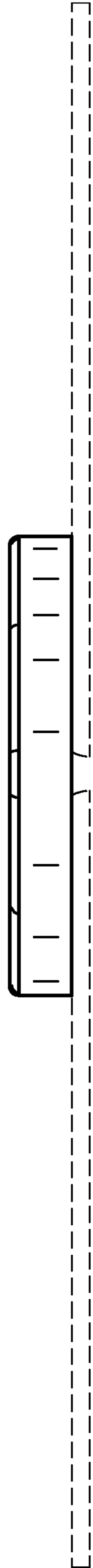


FIG. 4



FIG. 5



FIG. 6

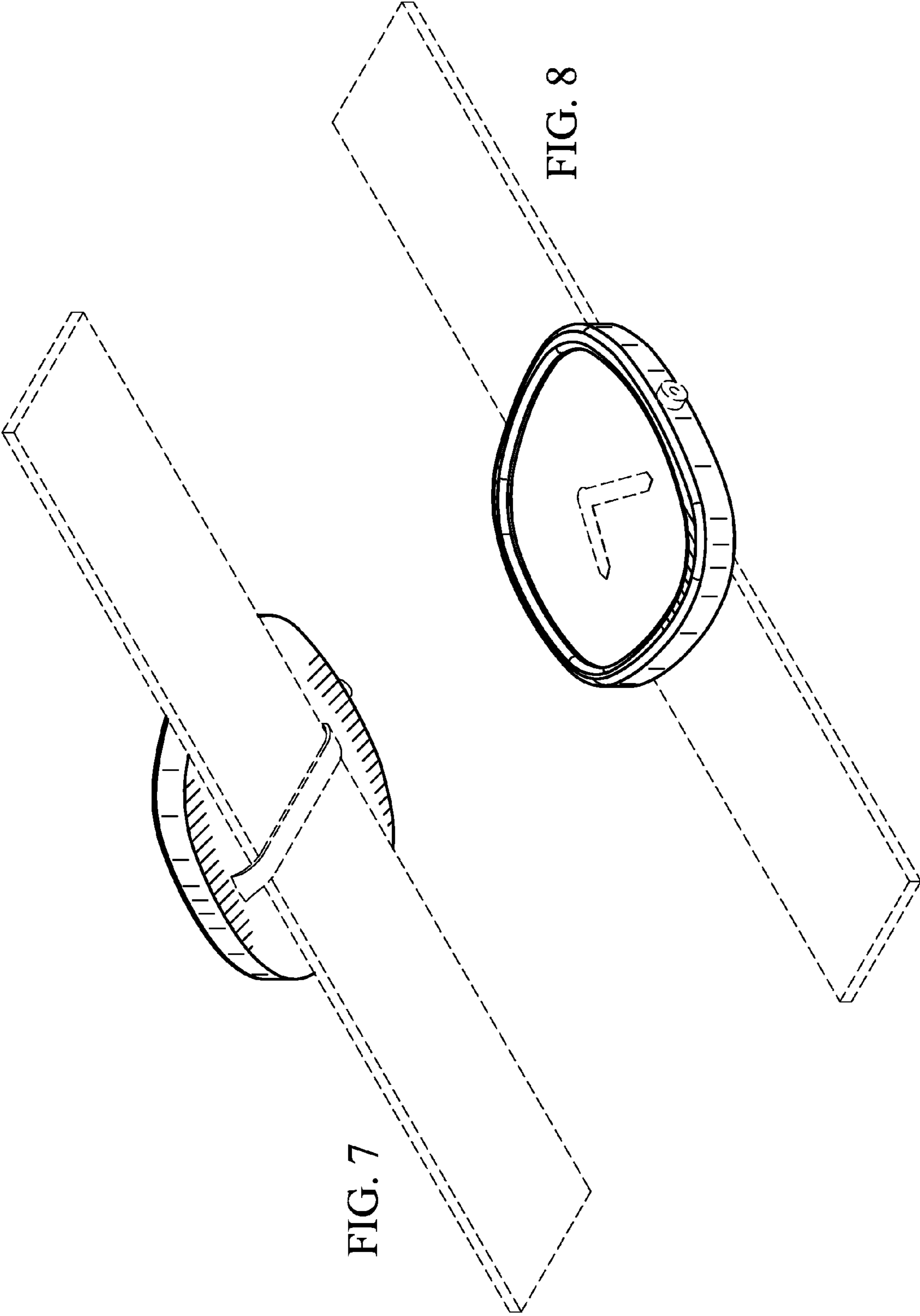


FIG. 7

FIG. 8

UNITED STATES PATENT AND TRADEMARK OFFICE  
**CERTIFICATE OF CORRECTION**

PATENT NO. : D669,371 S  
APPLICATION NO. : 29/423066  
DATED : October 23, 2012  
INVENTOR(S) : Daniel Rasumowsky

Page 1 of 1

It is certified that error appears in the above-identified patent and that said Letters Patent is hereby corrected as shown below:

On the Title Page of the patent, after the Related U.S. Application Data section (62), the Foreign Application Priority Data section (30) reflecting the claimed priority date and foreign application is missing. Please add the Foreign Application Priority Data section (30) as follows:

(30) Foreign Application Priority Data  
Sep. 20, 2010 (WO) .....DM/074357

Signed and Sealed this  
Eighteenth Day of February, 2014



Michelle K. Lee  
*Deputy Director of the United States Patent and Trademark Office*