

US00D669370S

(12) **United States Design Patent**
Rasumowsky

(10) **Patent No.:** **US D669,370 S**

(45) **Date of Patent:** **** Oct. 23, 2012**

(54) **WATCH**

(76) **Inventor:** **Daniel Rasumowsky, Zurich (CH)**

(**) **Term:** **14 Years**

(21) **Appl. No.:** **29/423,065**

(22) **Filed:** **May 29, 2012**

Related U.S. Application Data

(62) Division of application No. 29/387,762, filed on Mar. 17, 2011.

(30) **Foreign Application Priority Data**

Sep. 20, 2010 (WO) DM/074357

(51) **LOC (9) Cl.** **10-02**

(52) **U.S. Cl.** **D10/33; D10/38**

(58) **Field of Classification Search** D10/30-39;
368/276, 281, 282; D11/44, 48, 81; D3/211;
D16/327, 328

See application file for complete search history.

(56) **References Cited**

U.S. PATENT DOCUMENTS

D183,845 S *	11/1958	Liautaud	D16/328
D407,030 S *	3/1999	Toyoshima et al.	D10/39
D410,022 S *	5/1999	Conway	D16/327
D427,227 S *	6/2000	Conway	D16/327
D439,527 S *	3/2001	Kennedy	D10/30
D486,075 S *	2/2004	Frank	D10/38

D493,371 S *	7/2004	Streltsov	D10/30
D497,812 S *	11/2004	Modolo	D10/32
D503,115 S *	3/2005	Goto et al.	D10/32
D514,456 S *	2/2006	Kojima	D10/38
D515,945 S *	2/2006	Goto et al.	D10/32
D527,281 S *	8/2006	Kojima et al.	D10/32
D544,901 S *	6/2007	Fuchs	D16/327
D608,222 S *	1/2010	Kimura	D10/32
D608,663 S *	1/2010	Kimura	D10/38
D626,436 S *	11/2010	Kimura	D10/38
D654,814 S *	2/2012	Kumano et al.	D10/32
D654,815 S *	2/2012	Kumano et al.	D10/32

* cited by examiner

Primary Examiner — Lucy Lieberman

(74) *Attorney, Agent, or Firm* — Daniel I. Hwang; Pattishall, McAuliffe, Newbury, Hilliard & Geraldson LLP

(57) **CLAIM**

The ornamental design for a watch, as shown and described.

DESCRIPTION

FIG. 1 is a front view of a front portion of a watch;

FIG. 2 is a rear view thereof;

FIG. 3 is a right side view thereof;

FIG. 4 is left side view thereof;

FIG. 5 is bottom view thereof;

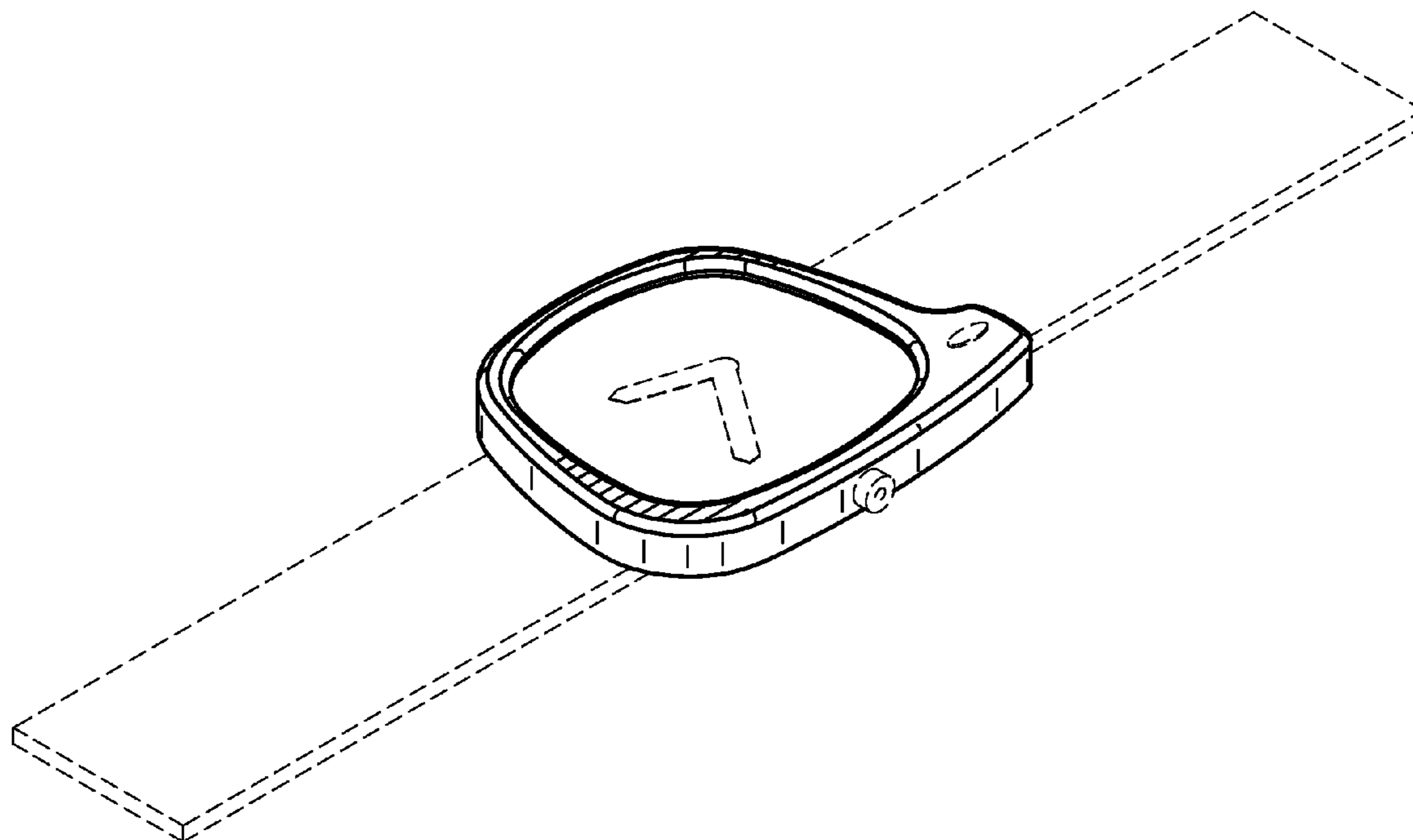
FIG. 6 is top view thereof;

FIG. 7 is a rear perspective view thereof; and,

FIG. 8 is a front perspective view thereof.

The broken lines are directed to environment and are for illustrative purposes only; the broken lines form no part of the claimed design.

1 Claim, 4 Drawing Sheets



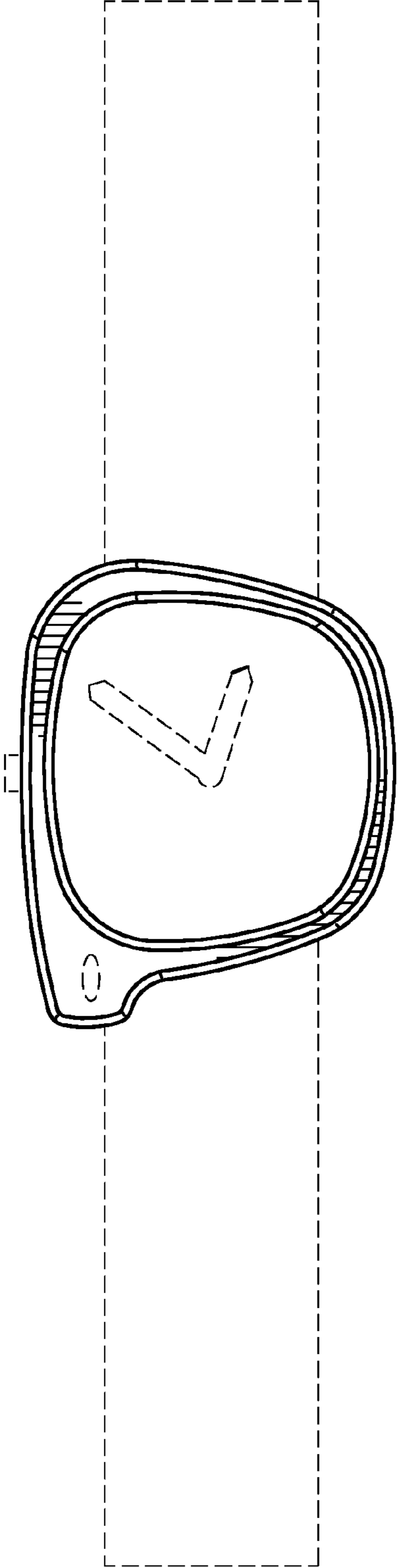


FIG. 1

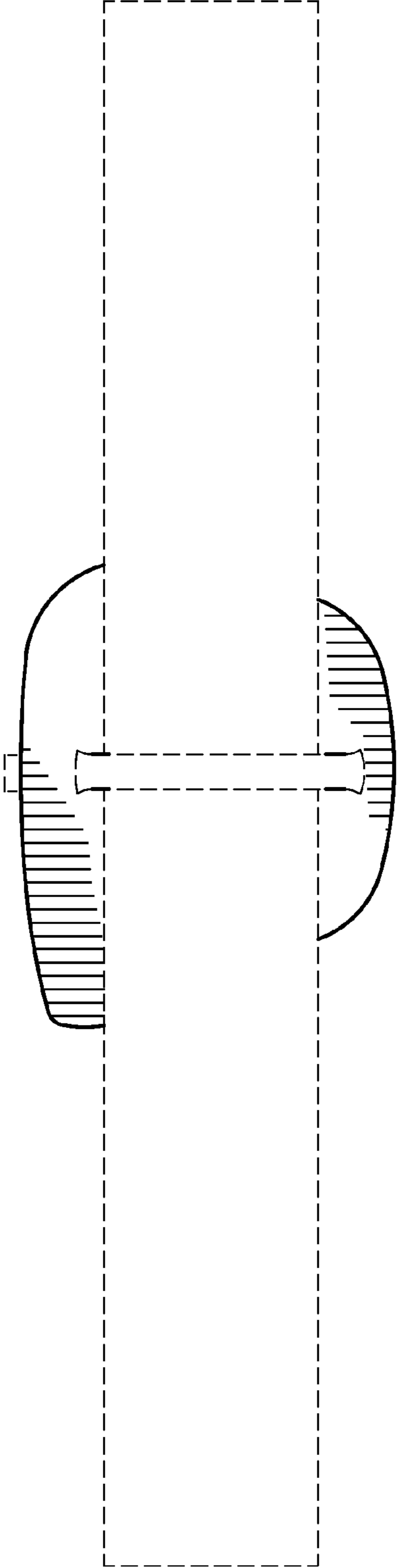


FIG. 2

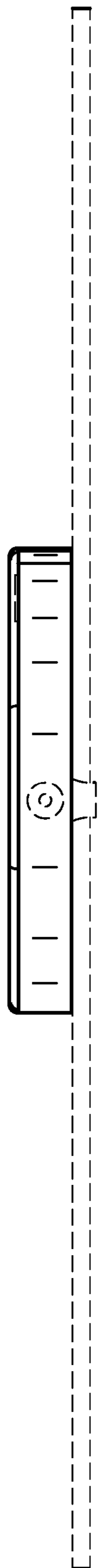


FIG. 3

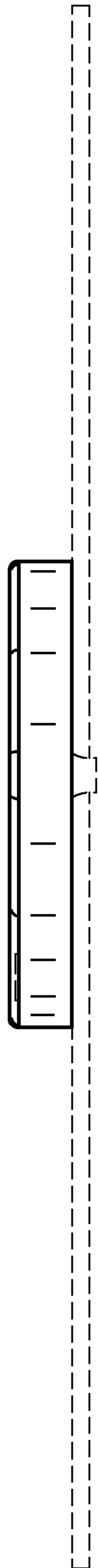


FIG. 4

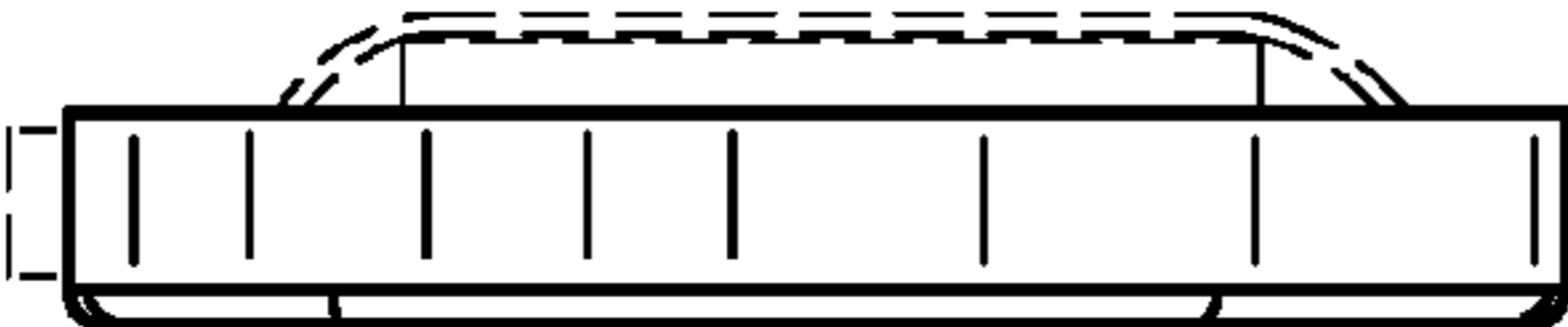


FIG. 5



FIG. 6

