

US00D669369S

(12) **United States Design Patent**
Rasumowsky

(10) **Patent No.:** **US D669,369 S**

(45) **Date of Patent:** **** Oct. 23, 2012**

(54) **WATCH**

(76) Inventor: **Daniel Rasumowsky, Zurich (CH)**

(**) Term: **14 Years**

(21) Appl. No.: **29/387,762**

(22) Filed: **Mar. 17, 2011**

(30) **Foreign Application Priority Data**

Sep. 20, 2010 (WO) DM/074357

(51) **LOC (9) Cl.** **10-02**

(52) **U.S. Cl.** **D10/33; D10/38**

(58) **Field of Classification Search** D10/30-39;
368/276, 281, 282

See application file for complete search history.

(56) **References Cited**

U.S. PATENT DOCUMENTS

D407,030 S *	3/1999	Toyoshima et al.	D10/39
D439,527 S *	3/2001	Kennedy	D10/30
D486,075 S *	2/2004	Frank	D10/38
D493,371 S *	7/2004	Streltsov	D10/30
D497,812 S *	11/2004	Modolo	D10/32
D503,115 S *	3/2005	Goto et al.	D10/32
D514,456 S *	2/2006	Kojima	D10/38
D515,945 S *	2/2006	Goto et al.	D10/32
D527,281 S *	8/2006	Kojima et al.	D10/32

D608,222 S *	1/2010	Kimura	D10/32
D608,663 S *	1/2010	Kimura	D10/38
D626,436 S *	11/2010	Kimura	D10/38
D654,815 S *	2/2012	Kumano et al.	D10/32

* cited by examiner

Primary Examiner — Lucy Lieberman

(74) *Attorney, Agent, or Firm* — Daniel I. Hwang; Pattishall, McAuliffe, Newbury, Hilliard & Geraldson LLP

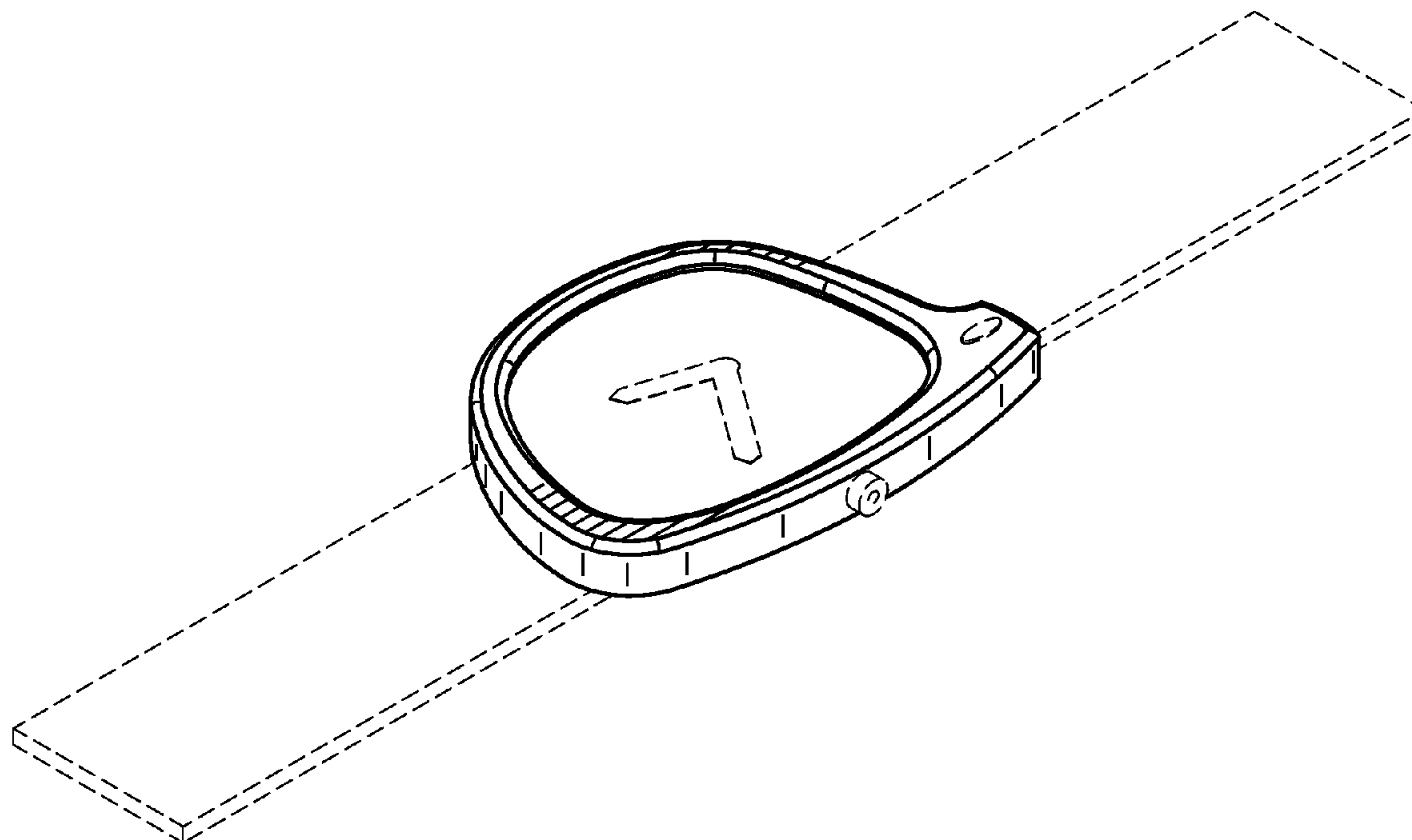
(57) **CLAIM**

The ornamental design for a watch, as shown and described.

DESCRIPTION

FIG. 1 is a front view of a watch;
 FIG. 2 is a rear view thereof;
 FIG. 3 is a right side view thereof;
 FIG. 4 is left side view thereof;
 FIG. 5 is bottom view thereof;
 FIG. 6 is top view thereof;
 FIG. 7 is a rear perspective view thereof; and,
 FIG. 8 is a front perspective view thereof.
 The broken lines are directed to environment and are for illustrative purposes only; the broken lines form no part of the claimed design.

1 Claim, 4 Drawing Sheets



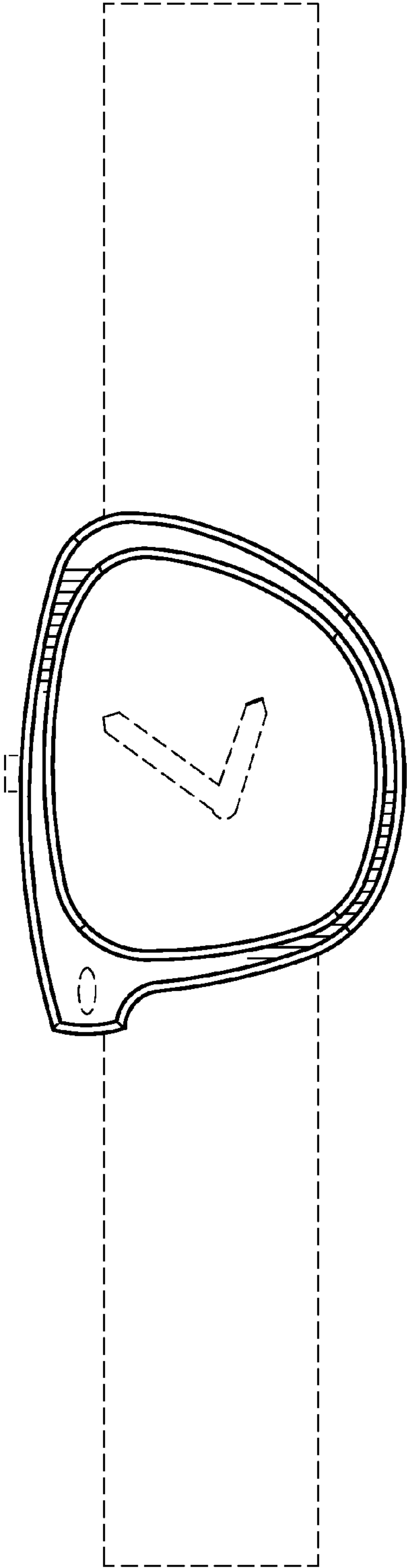


FIG. 1

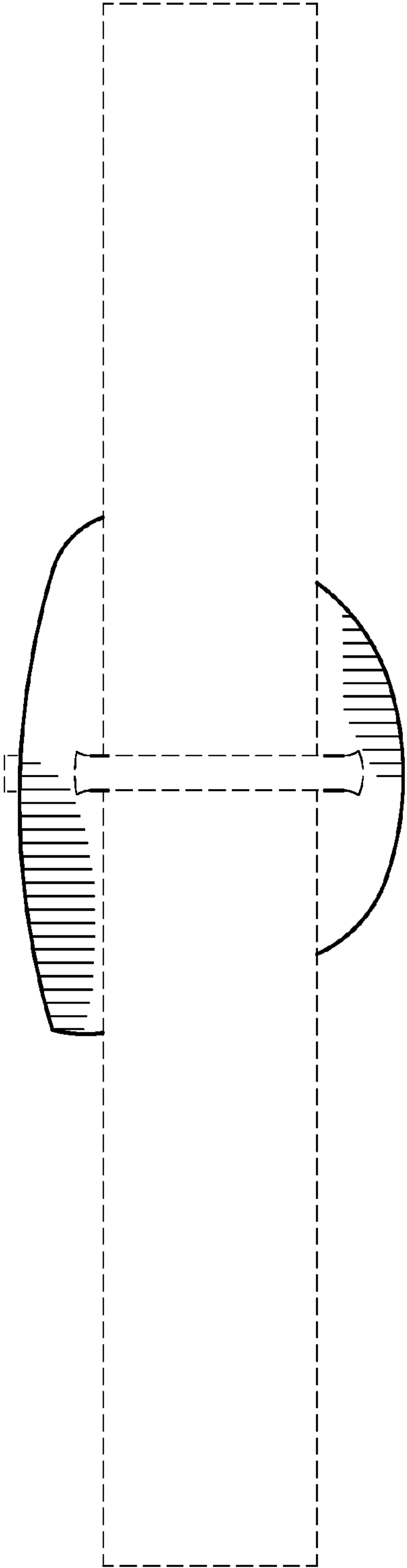


FIG. 2

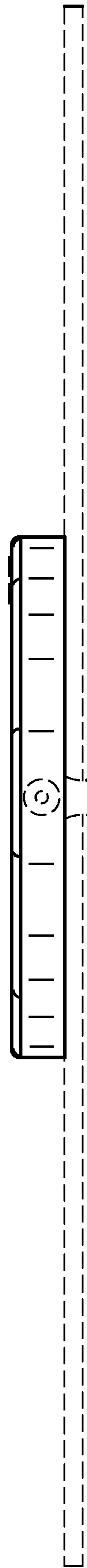


FIG. 3

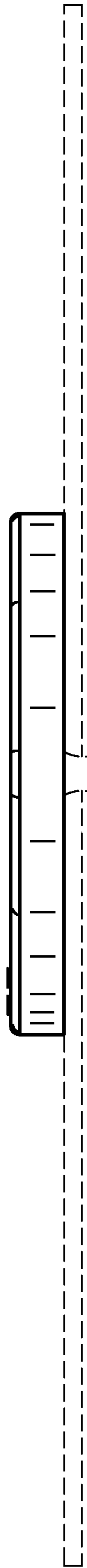


FIG. 4



FIG. 5

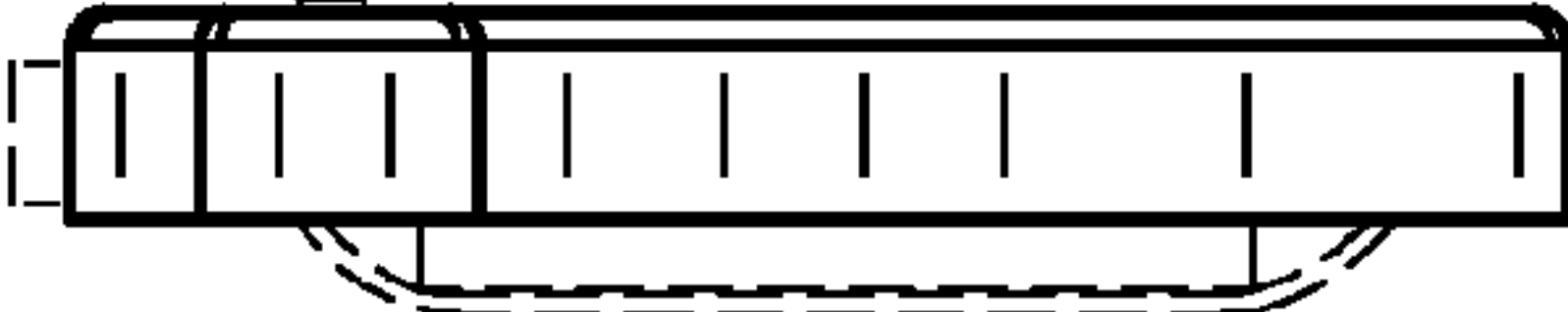


FIG. 6

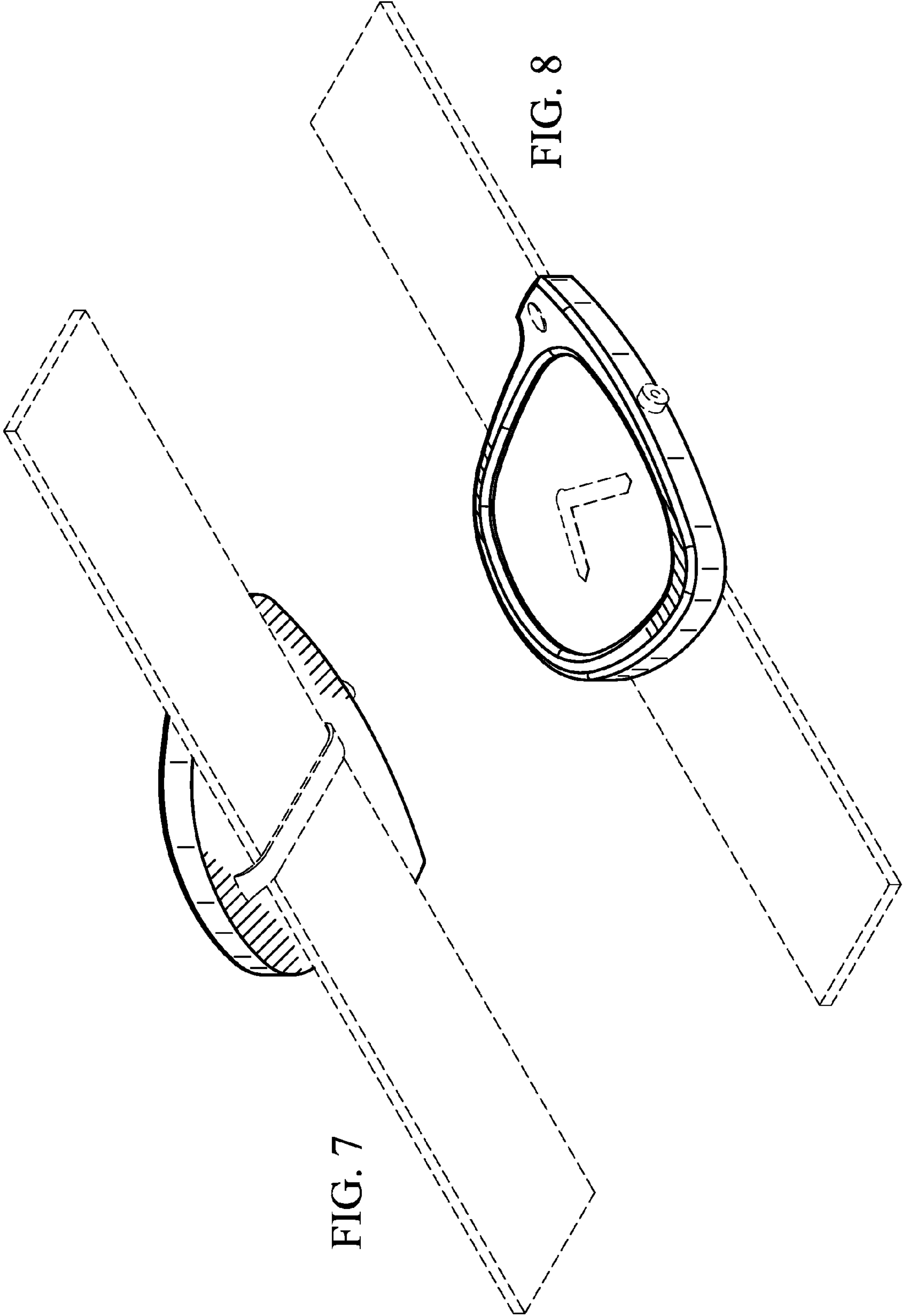


FIG. 7

FIG. 8