



US00D669368S

(12) **United States Design Patent**
Ehrmann

(10) **Patent No.:** **US D669,368 S**

(45) **Date of Patent:** **** Oct. 23, 2012**

(54) **DUAL CHAMBER CUP FOR PACKAGING PURPOSES**

(75) Inventor: **Christian Ehrmann**, Oberschöneckg (DE)

(73) Assignee: **Ehrmann USA Holding, Inc.**, Brattleboro, VT (US)

(**) Term: **14 Years**

(21) Appl. No.: **29/414,832**

(22) Filed: **Mar. 5, 2012**

(51) **LOC (9) Cl.** **09-03**

(52) **U.S. Cl.** **D9/737; D9/761; D9/424**

(58) **Field of Classification Search** D9/737, D9/761, 424, 430-432; D7/550, 553, 555; 206/561, 564; 220/500, 555, 657, 659, 904; 229/404

See application file for complete search history.

(56) **References Cited**

U.S. PATENT DOCUMENTS

D297,115 S *	8/1988	Fontana et al.	D9/737
D297,116 S *	8/1988	Fontana et al.	D9/737
D297,117 S *	8/1988	Fontana et al.	D9/737
D297,118 S *	8/1988	Fontana et al.	D9/737
D297,119 S *	8/1988	Fontana et al.	D9/737
D351,997 S *	11/1994	Finnah	D9/737

D393,798 S *	4/1998	Joswick	D9/737
D394,001 S *	5/1998	Vilos	D9/737
D398,524 S *	9/1998	Waterhouse	D9/737
5,853,105 A *	12/1998	Roman et al.	220/575
D424,426 S *	5/2000	Fletcher	D9/737
D492,196 S *	6/2004	Hyhlik et al.	D9/737
D529,820 S *	10/2006	Kissner et al.	D9/737
D595,154 S *	6/2009	Nicholson et al.	D9/737

* cited by examiner

Primary Examiner — Mark Goodwin

(74) *Attorney, Agent, or Firm* — Gurdrun E. Huckett

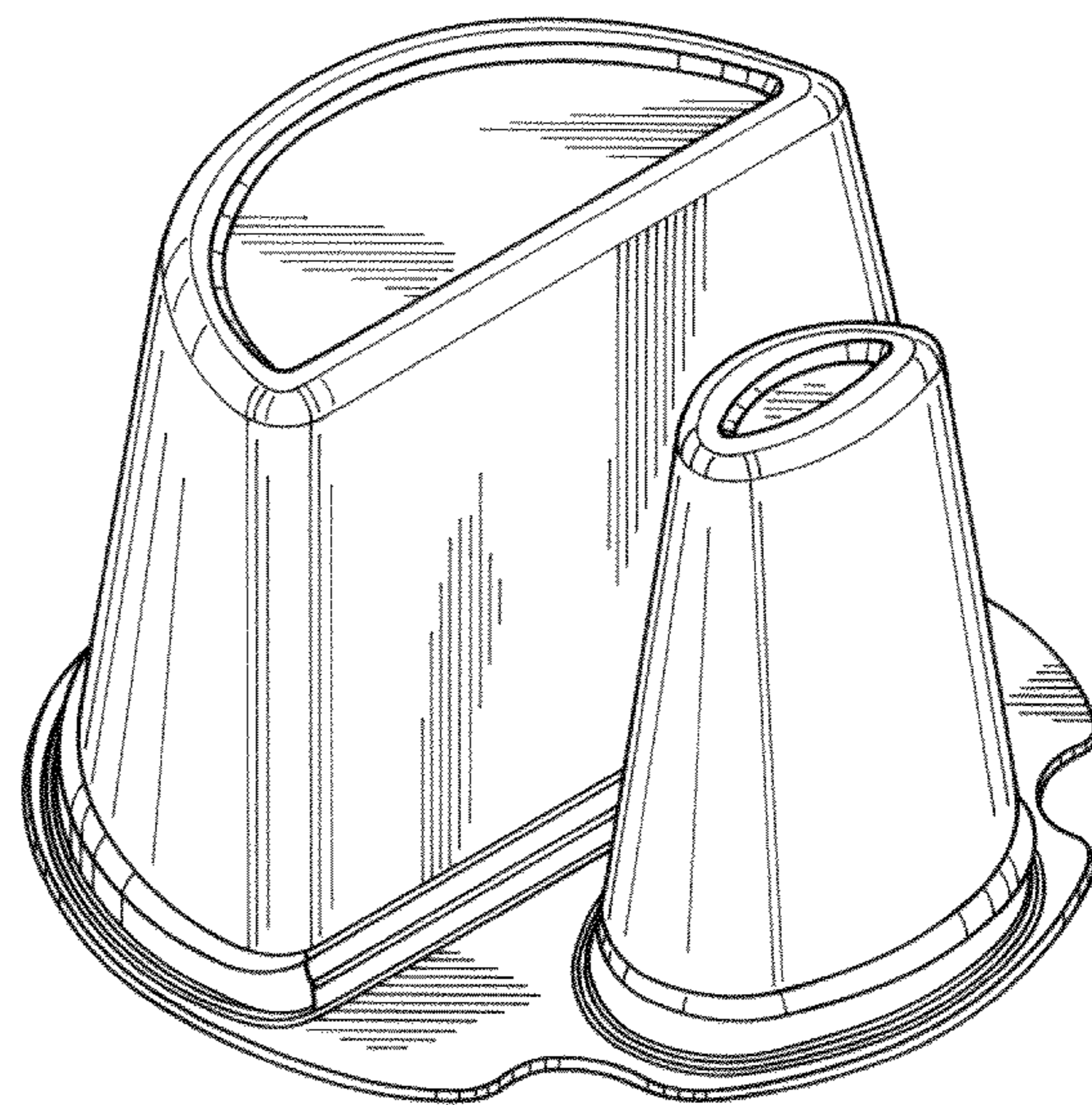
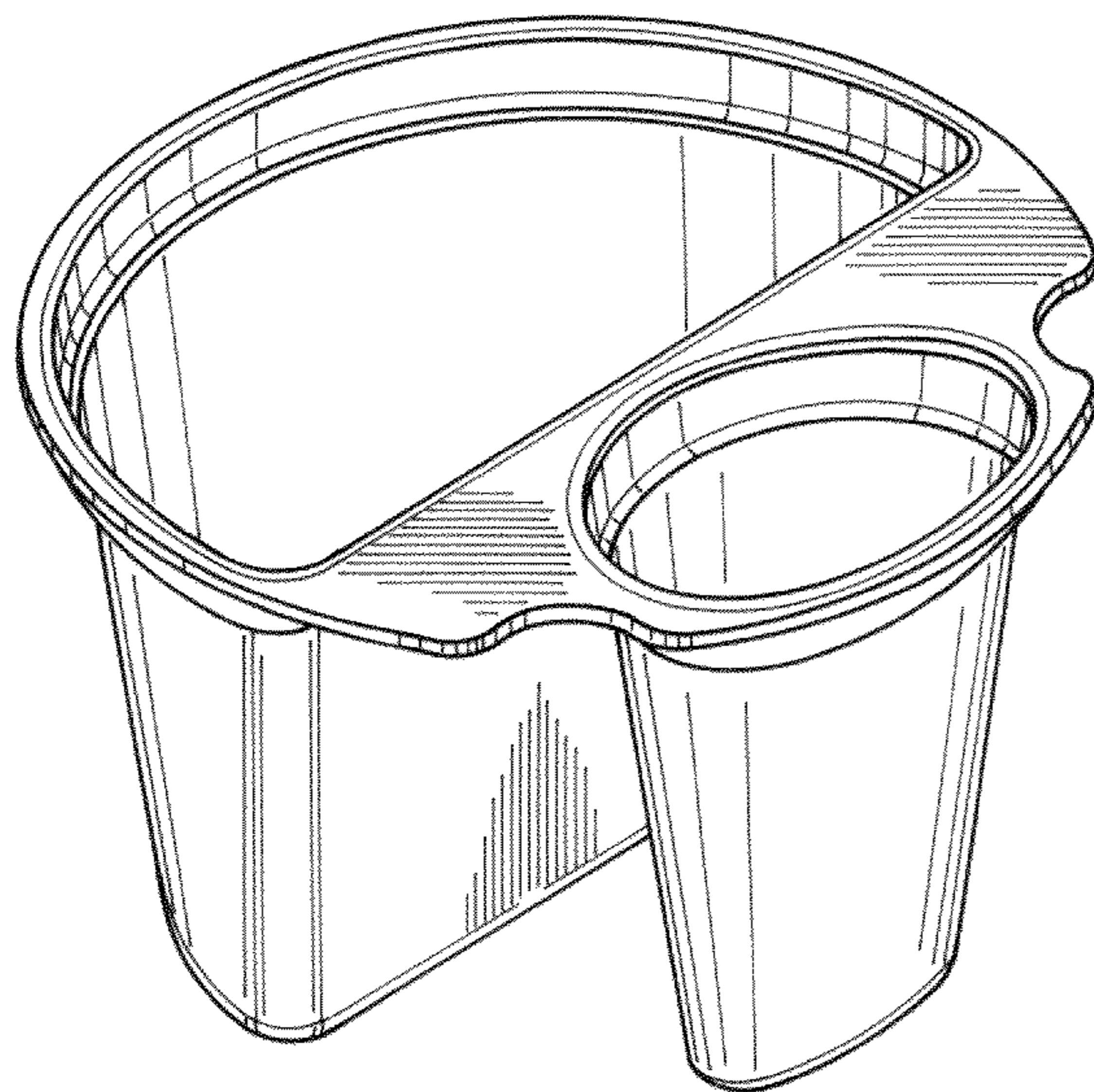
(57) **CLAIM**

The ornamental design for a dual chamber cup for packaging purposes, as shown and described.

DESCRIPTION

FIG. 1 is a right front perspective view of a dual chamber cup for packaging purposes showing my new design; FIG. 2 is a rear perspective view thereof; FIG. 3 is a bottom rear perspective view thereof; FIG. 4 is a bottom front perspective view thereof; FIG. 5 is a top plan view thereof; FIG. 6 is a front view thereof; FIG. 7 is a right side view thereof; FIG. 8 is a left side view thereof; FIG. 9 is a rear view thereof; and, FIG. 10 is a bottom plan view thereof.

1 Claim, 10 Drawing Sheets



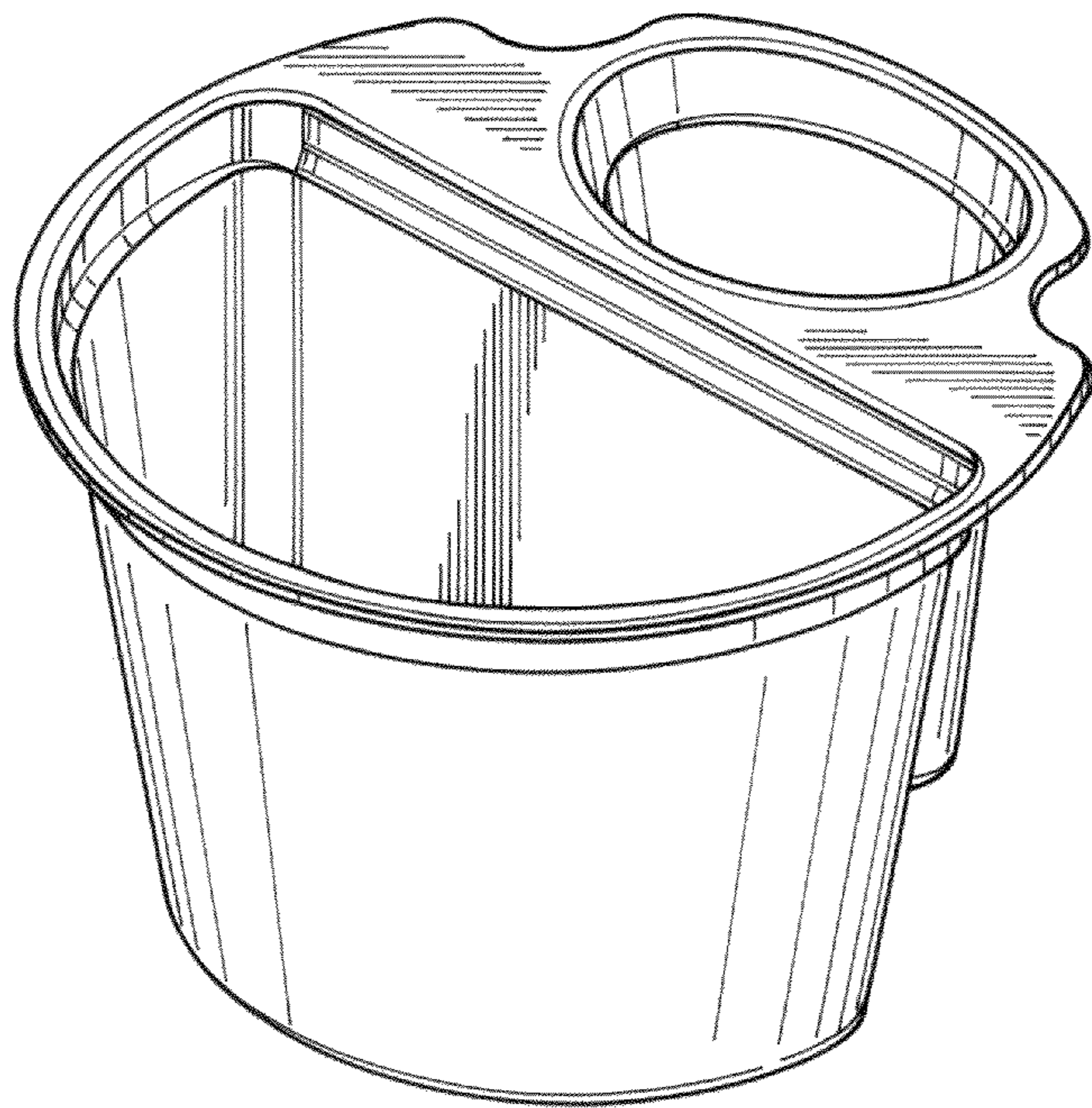


Fig. 1

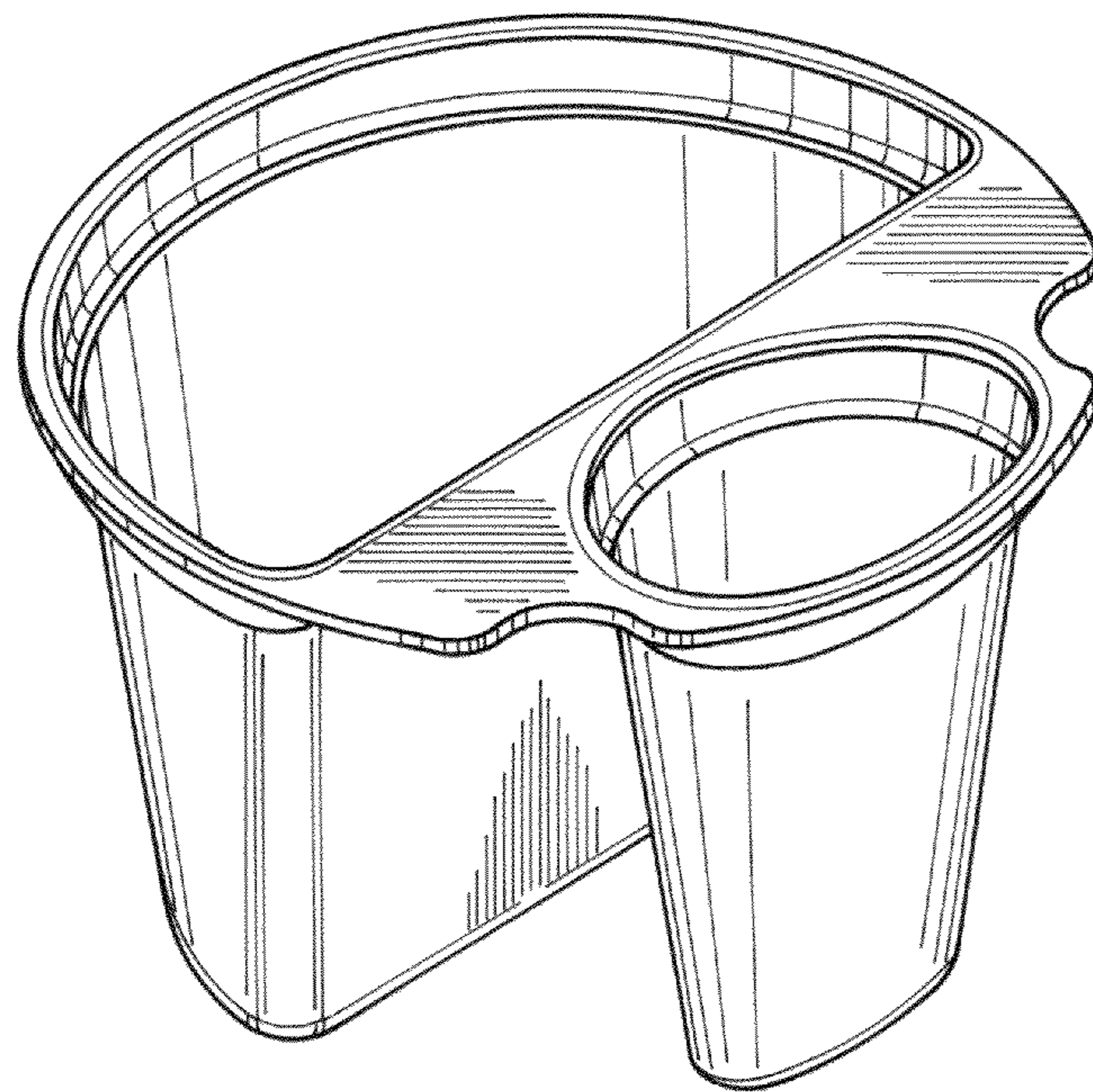


Fig. 2

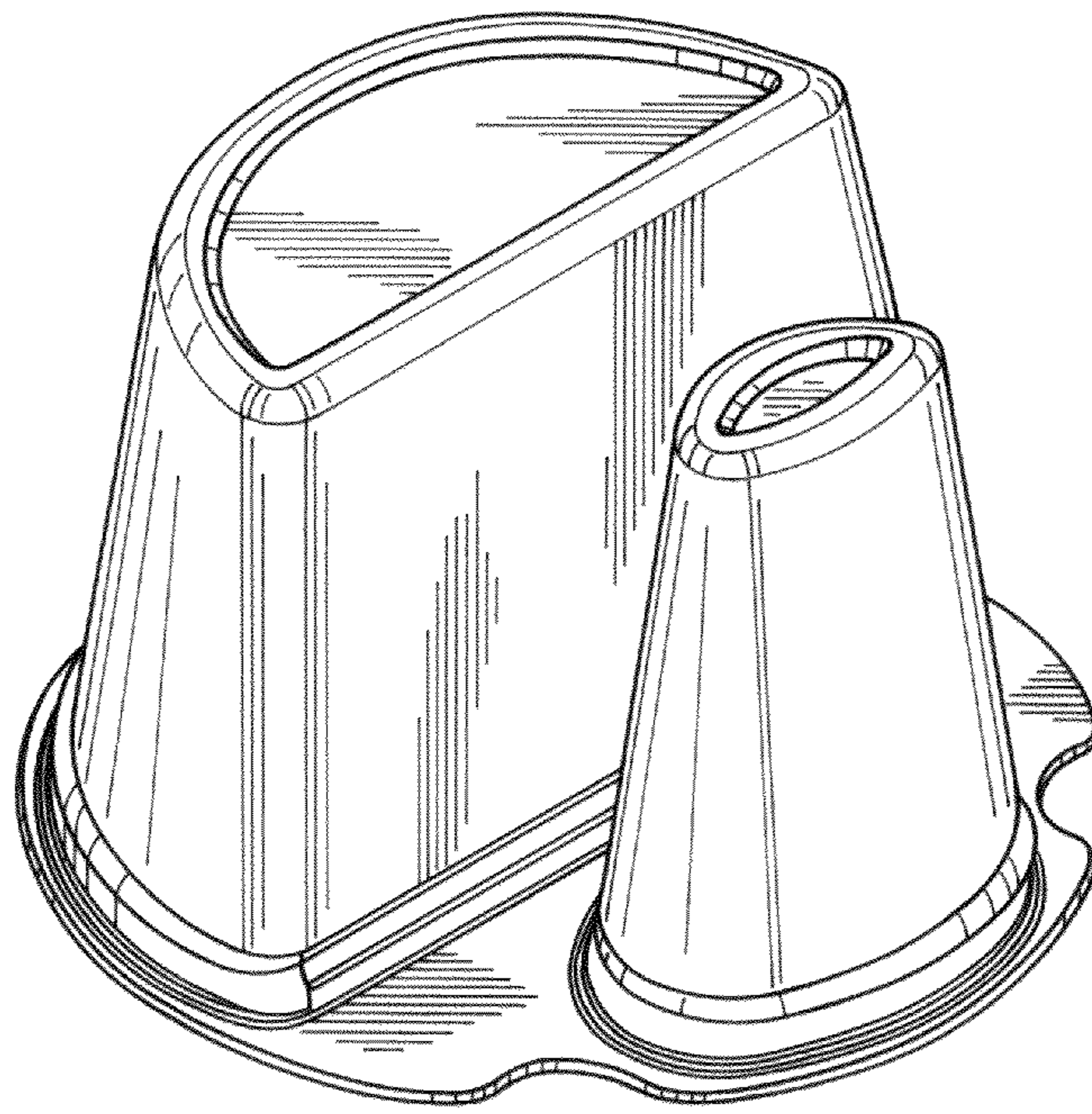


Fig. 3

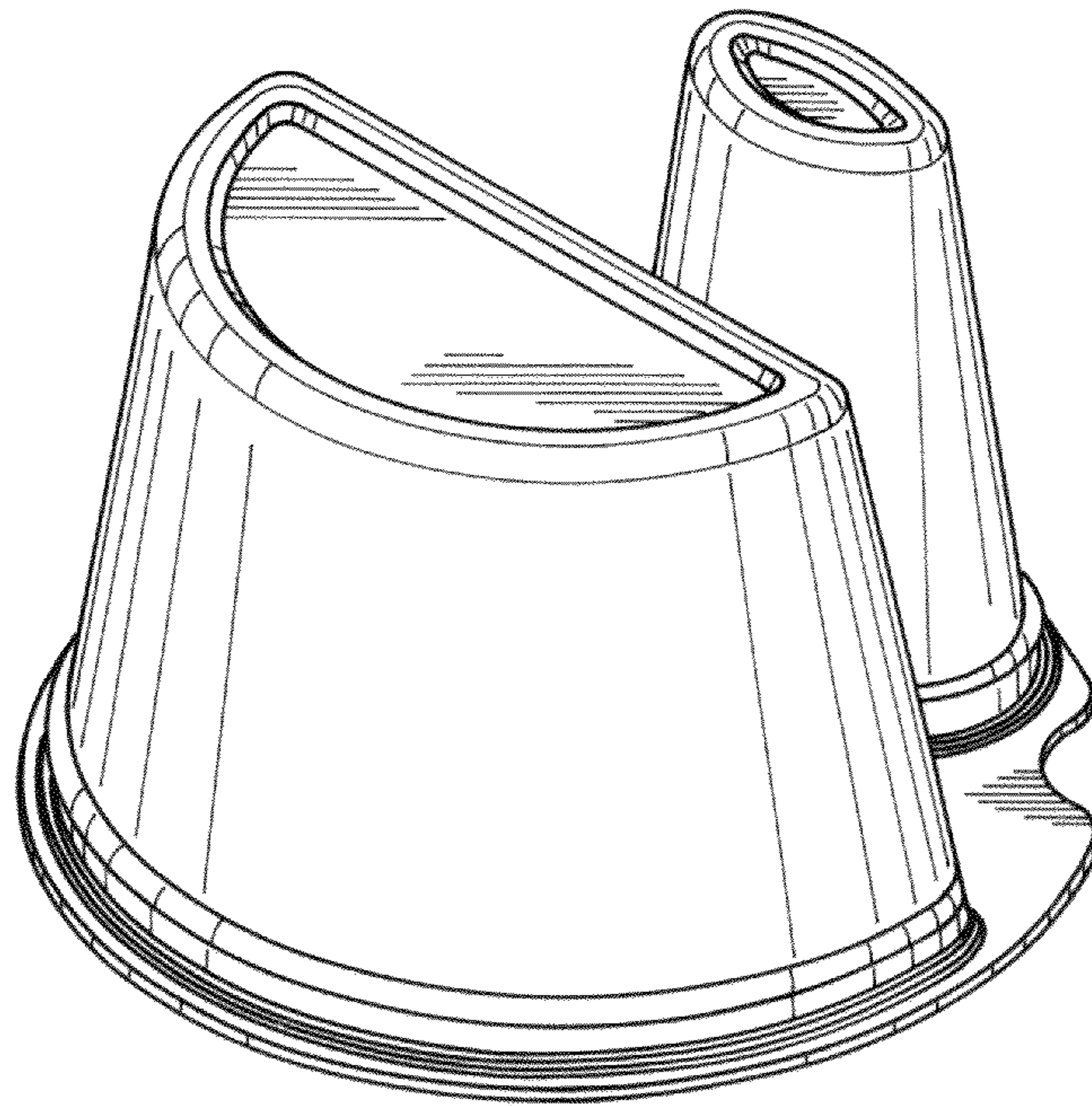


Fig. 4

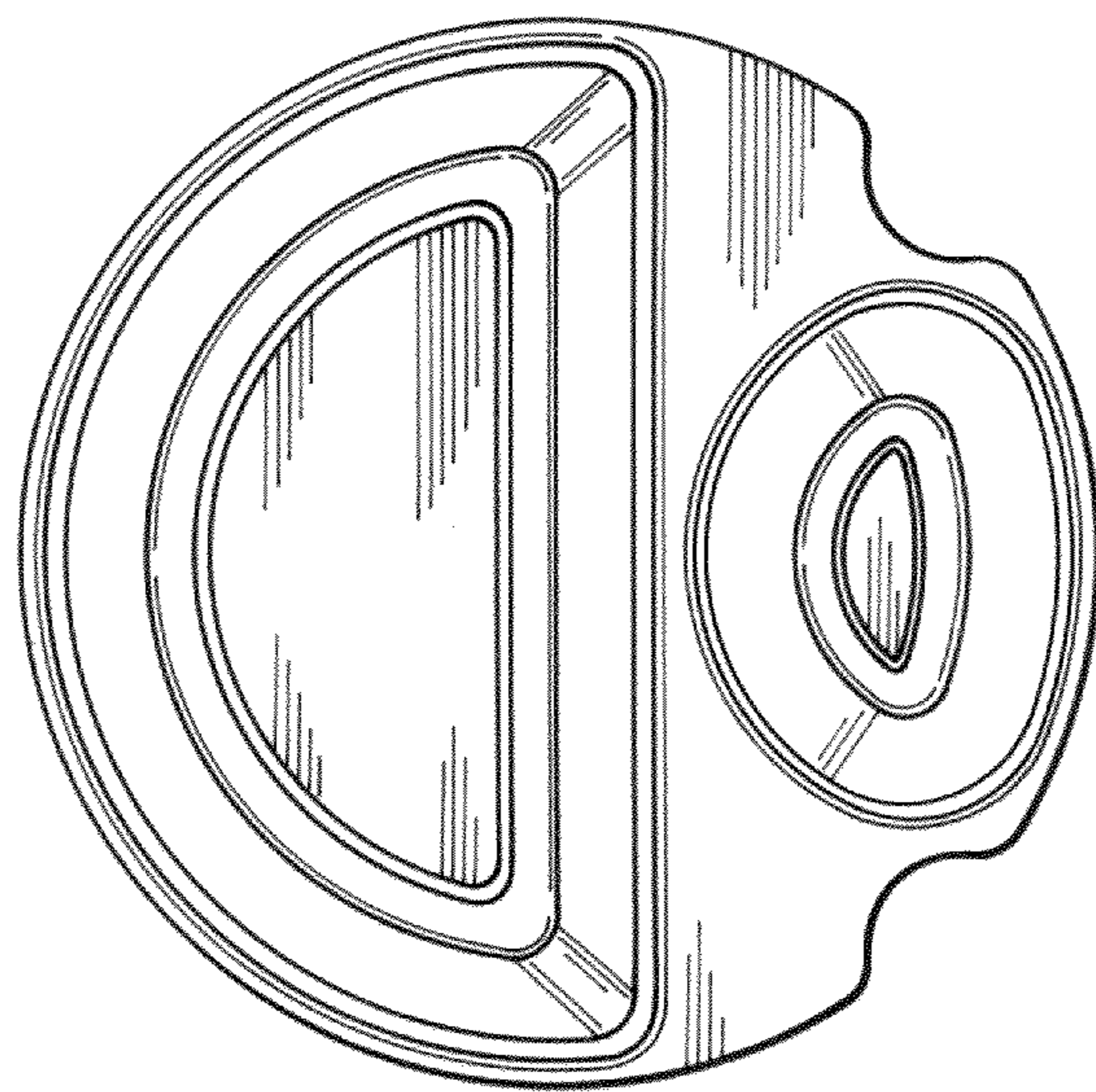


Fig. 5

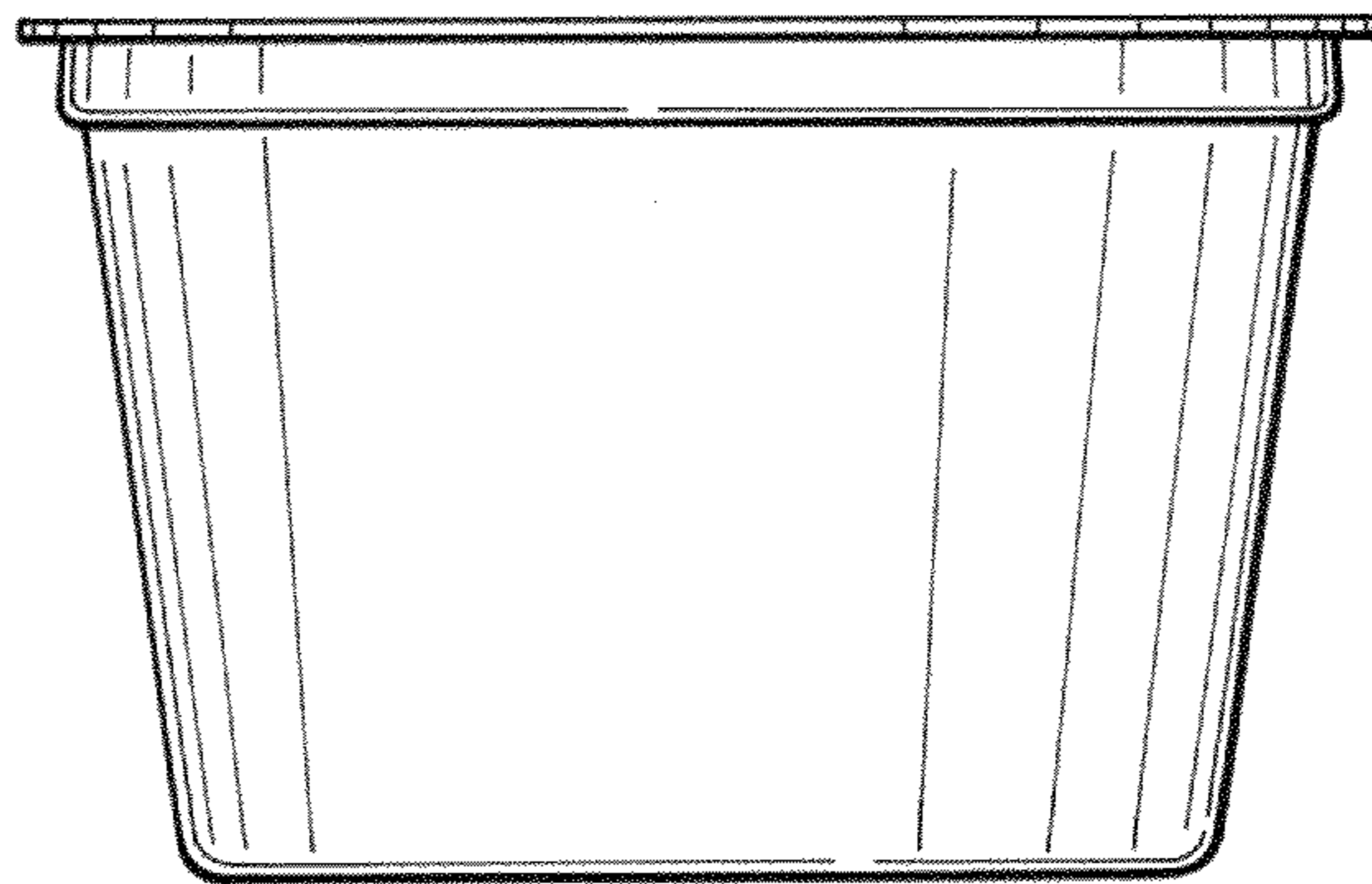


Fig. 6

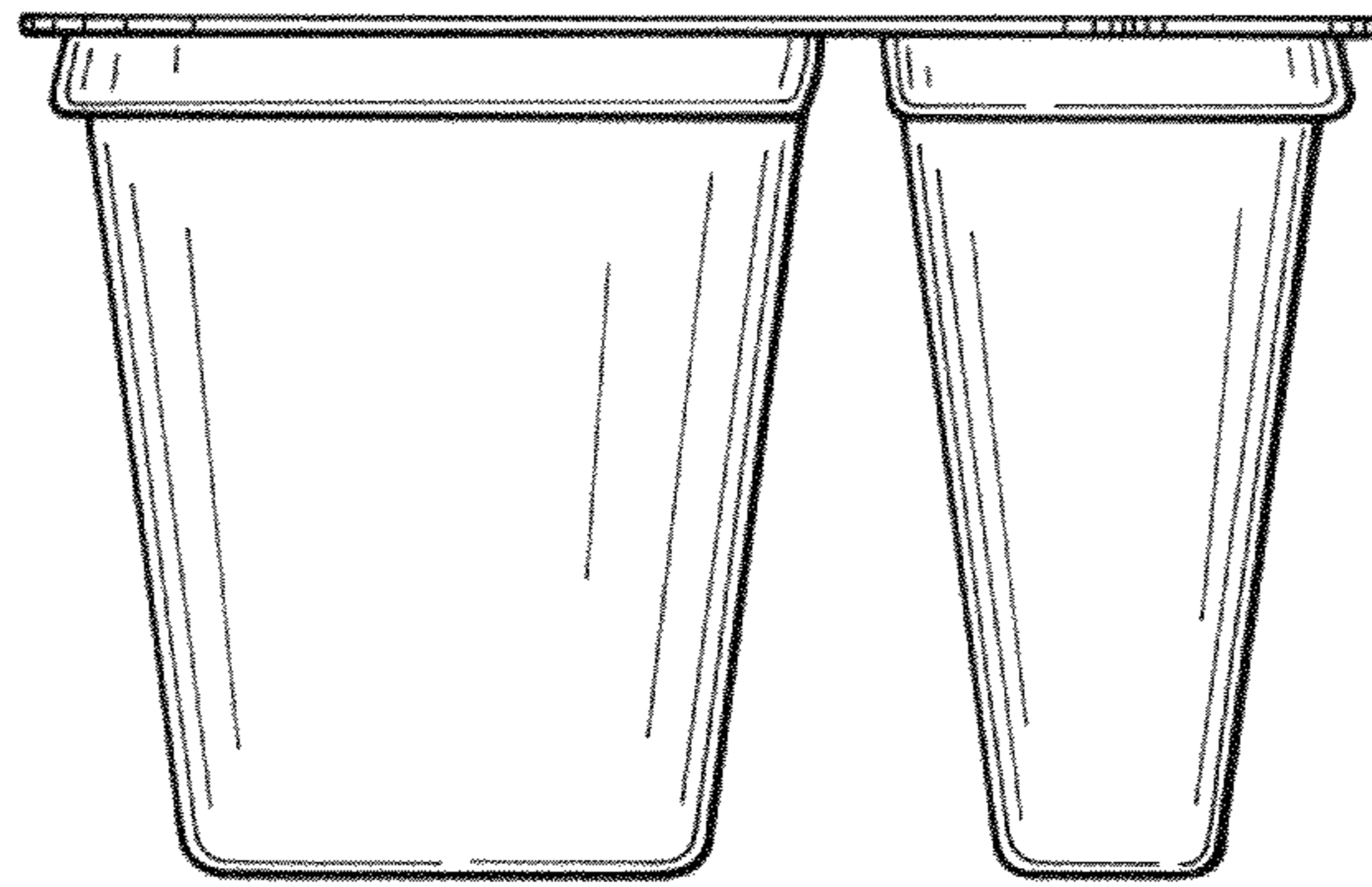


Fig. 7

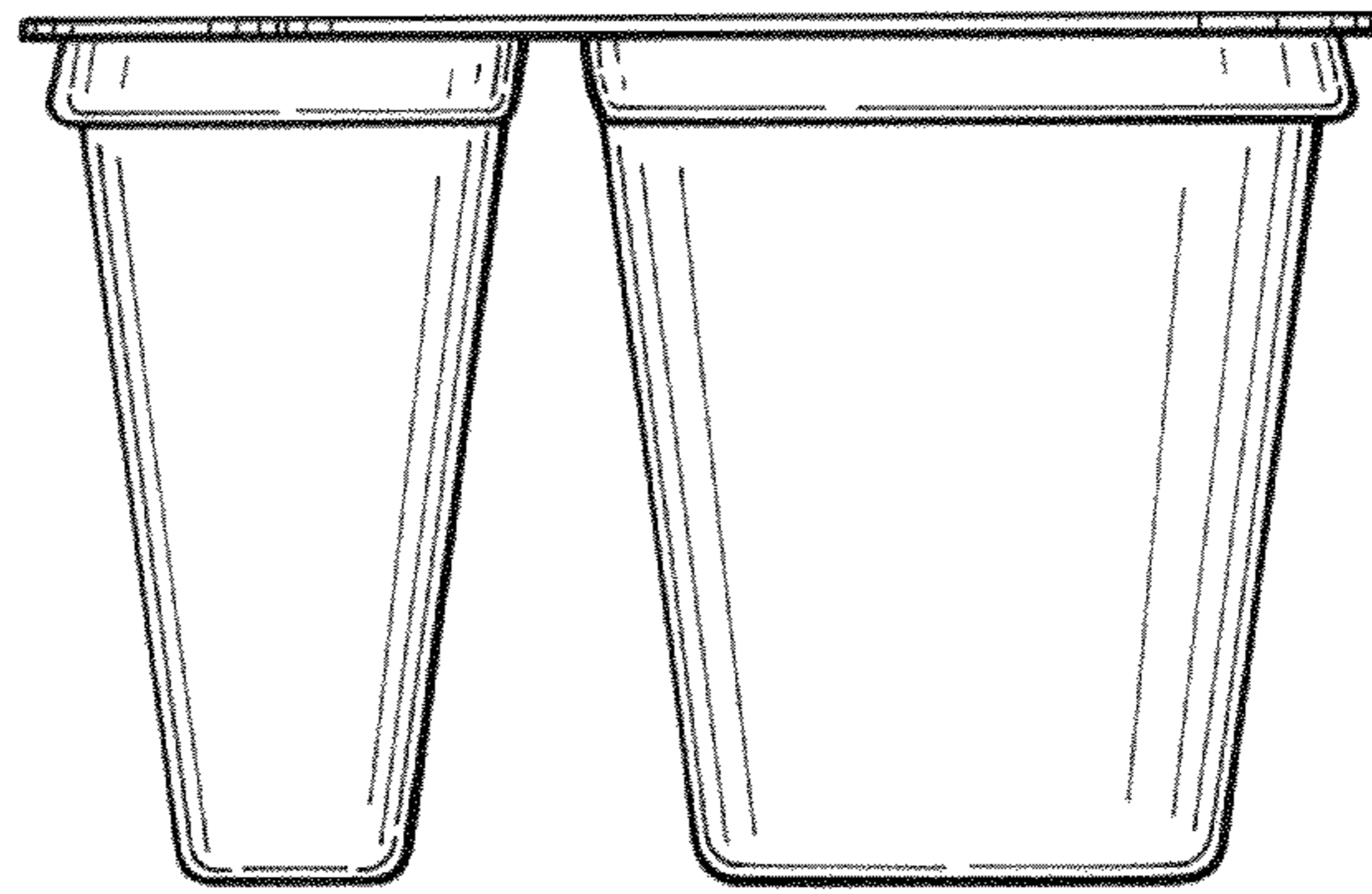


Fig. 8

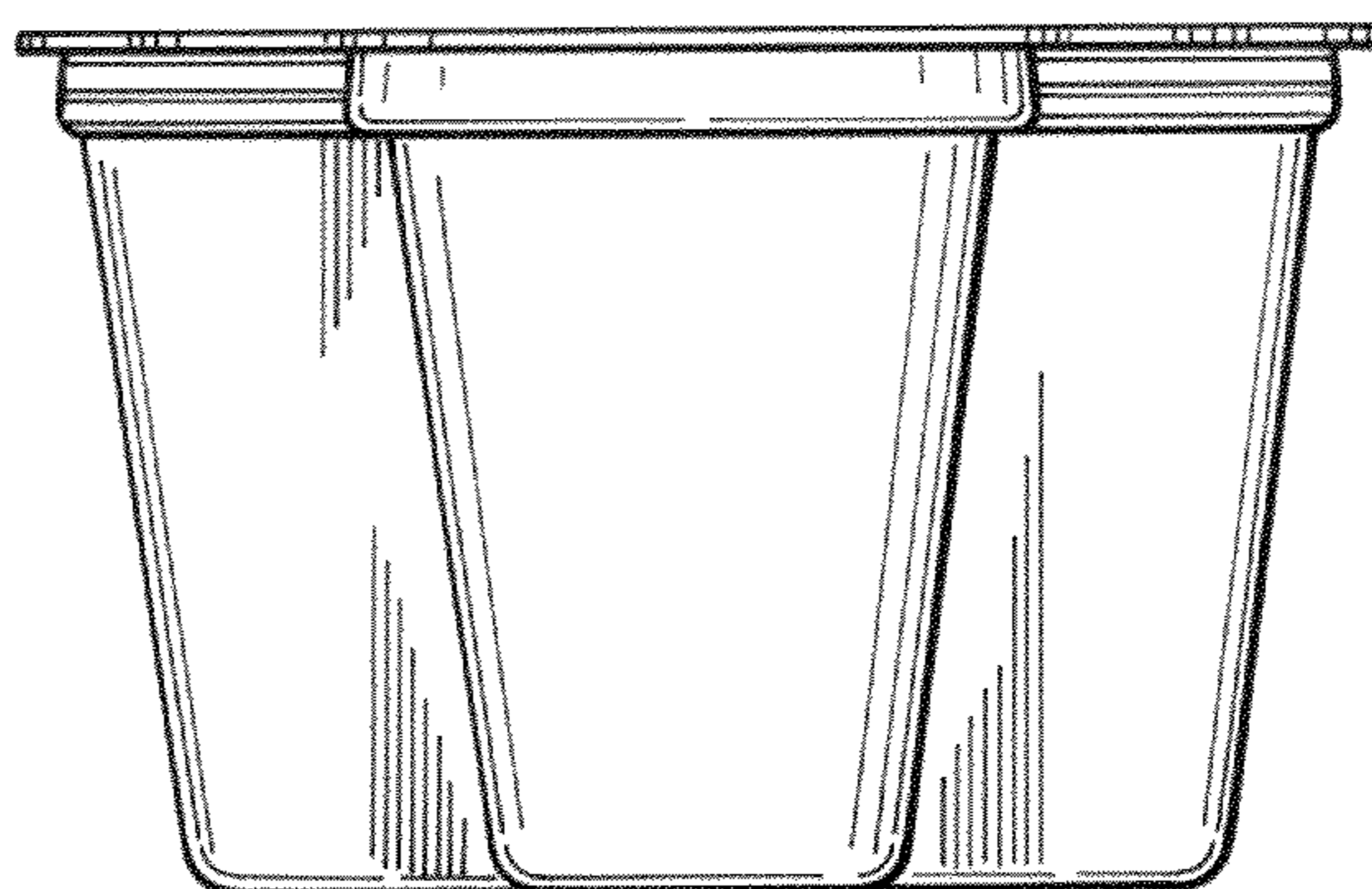


Fig. 9

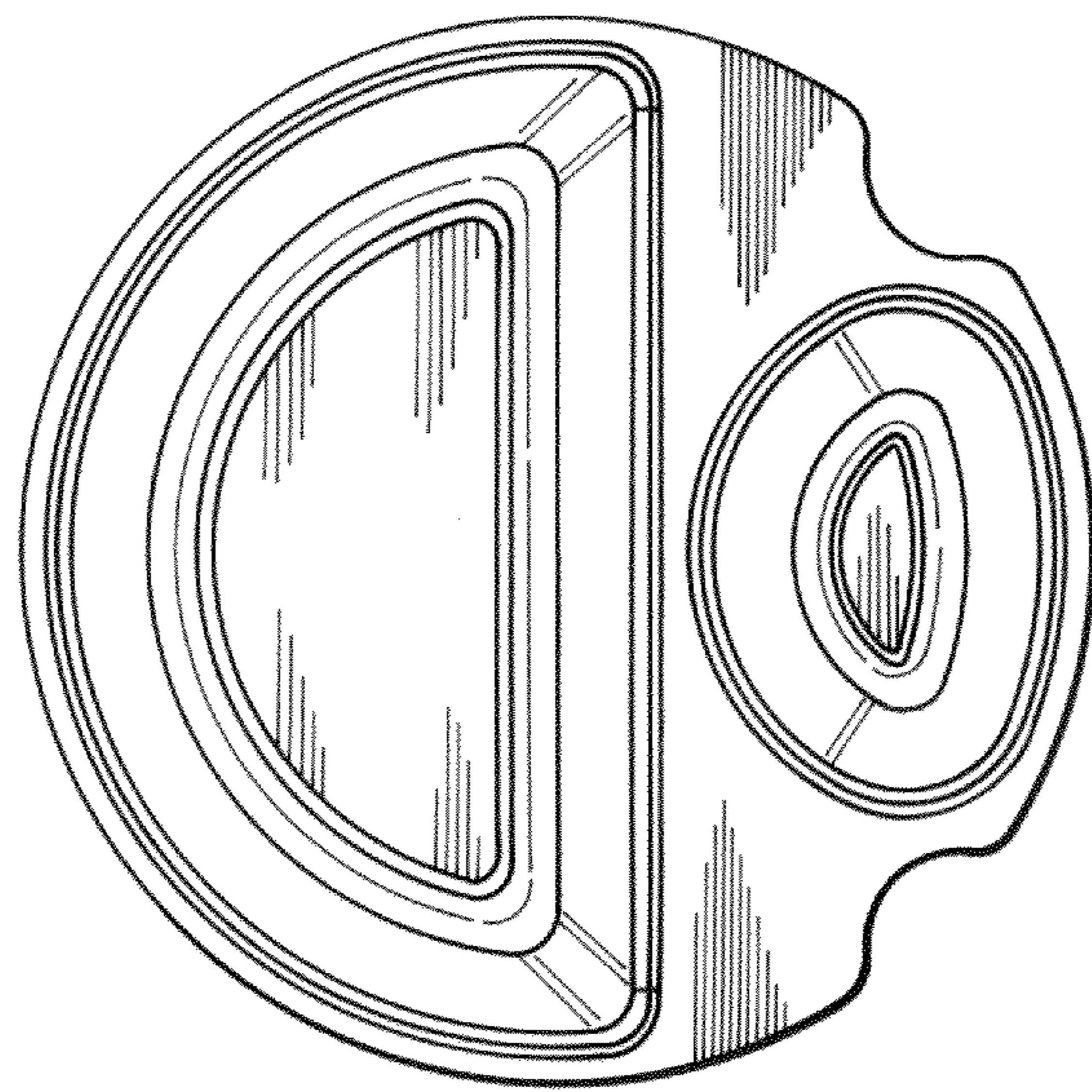


Fig. 10