



US00D669367S

(12) **United States Design Patent**
McDermott et al.

(10) **Patent No.:** **US D669,367 S**

(45) **Date of Patent:** **** Oct. 23, 2012**

- (54) **CONDIMENT CONTAINER**
- (75) Inventors: **Dave McDermott**, Waddington (GB);
Luc Vets, Lille (BE)
- (73) Assignee: **H.J. Heinz Company**, Pittsburgh, PA
(US)
- (**) Term: **14 Years**
- (21) Appl. No.: **29/406,289**

- 4,673,085 A 6/1987 Badouard et al.
- 4,717,046 A 1/1988 Brogli
- 4,762,124 A 8/1988 Kerch et al.
- 4,765,463 A 8/1988 Chanel
- 4,863,036 A 9/1989 Heijenga
- 4,871,091 A 10/1989 Preziosi
- 4,872,597 A 10/1989 Hanafusa
- 4,921,137 A 5/1990 Heijenga
- 4,963,045 A 10/1990 Willcox
- 4,989,419 A 2/1991 Brando et al.
- D317,690 S 6/1991 Thomsen
- D318,795 S 8/1991 Christine

(Continued)

(22) Filed: **Nov. 11, 2011**

(51) **LOC (9) Cl.** **09-05**

(52) **U.S. Cl.** **D9/707**

(58) **Field of Classification Search** D9/702-714,
D9/761, 731, 414, 418, 430-432, 520-521,
D9/438, 695-699, 416, 732, 701; D7/590,
D7/600.1; 215/328; 222/92, 105, 215, 145.1,
222/95, 183, 107; 383/9, 22, 59-60, 901,
383/207, 209; D24/118, 207, 108, 104; 128/114.1,
128/DIG. 24

See application file for complete search history.

(56) **References Cited**

U.S. PATENT DOCUMENTS

- 2,705,579 A 4/1955 Mason
- 2,898,003 A 8/1959 Wilson et al.
- 3,315,801 A 4/1967 Lowry
- 3,370,757 A 2/1968 Foster
- 3,407,969 A 10/1968 Klein et al.
- 3,453,661 A 7/1969 Repko
- 3,660,960 A 5/1972 Inman
- 3,722,754 A 3/1973 Struble
- 3,873,735 A 3/1975 Chalin et al.
- 4,090,660 A 5/1978 Schram et al.
- 4,301,926 A 11/1981 Chung
- 4,463,869 A 8/1984 Lewis
- 4,566,613 A 1/1986 Anscomb
- 4,648,506 A 3/1987 Campbell

FOREIGN PATENT DOCUMENTS

FR 2801570 6/2001

(Continued)

Primary Examiner — Caron D Veynar

Assistant Examiner — Abraham Bahta

(74) *Attorney, Agent, or Firm* — Daune Morris LLP

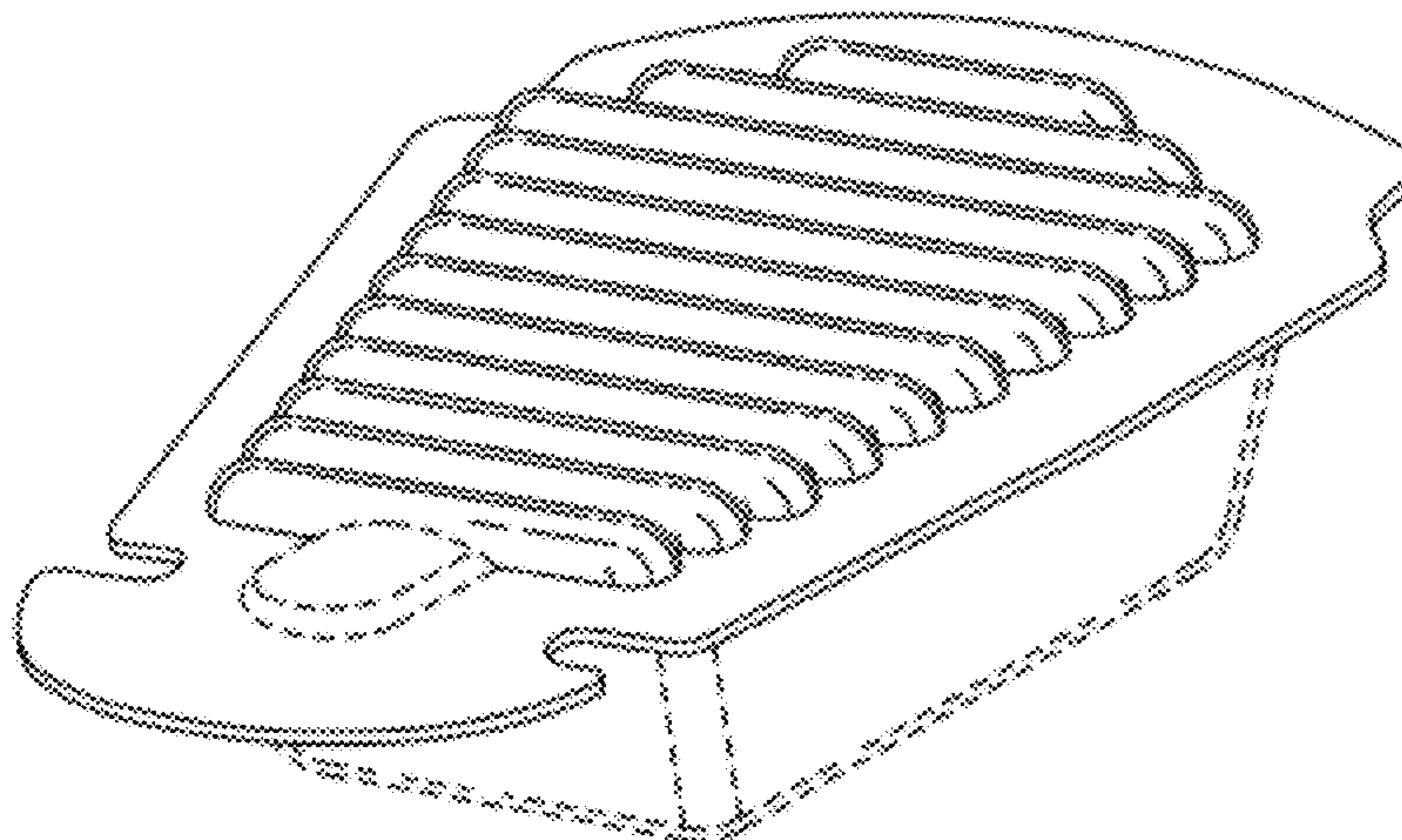
(57) **CLAIM**

The ornamental design for a condiment container, as shown and described.

DESCRIPTION

FIG. 1 is a perspective view of the condiment container; FIG. 2 is a top view of the condiment container; FIG. 3 a bottom view of the condiment container; FIG. 4 is a front view of the condiment container, the left-side view being a mirror image thereof; FIG. 5 is a rear view of the condiment container; and FIG. 6 is a right-side view of the condiment container; and, FIG. 7 is a left-side view of the condiment container. The broken line showing of structure is for illustrative purposes only, and forms no part of the claimed design.

1 Claim, 3 Drawing Sheets



US D669,367 S

Page 2

U.S. PATENT DOCUMENTS

5,038,974	A	8/1991	DaCosta
5,111,932	A	5/1992	Campbell
5,141,136	A	8/1992	Tignor
5,156,329	A	10/1992	Farrell
D336,034	S	6/1993	Rebilas
5,235,149	A	8/1993	Boehrer
5,277,920	A	1/1994	Weaver, Jr.
D351,228	S	10/1994	Weiler et al.
D354,906	S	1/1995	Lane, Jr. et al.
5,411,178	A	5/1995	Roders et al.
D362,595	S	9/1995	Schneider
5,482,172	A	1/1996	Braddock
5,529,224	A	6/1996	Chan et al.
5,546,728	A	8/1996	Dekeyser
5,613,517	A	3/1997	Handler
5,662,245	A	9/1997	Grant
5,706,961	A	1/1998	Morano
5,799,838	A	9/1998	Miller
5,806,726	A	9/1998	Ho
5,839,609	A	11/1998	Zakensberg
D416,477	S	11/1999	Flint
5,996,845	A	12/1999	Chan
6,007,264	A	12/1999	Koptis
6,051,263	A	4/2000	Gorlich et al.
6,062,413	A	5/2000	Redmond
6,085,942	A	7/2000	Redmond
6,089,375	A	7/2000	Johnson et al.
D435,440	S	12/2000	Croft et al.
6,220,311	B1	4/2001	Litto
D442,078	S	5/2001	Fuquen
D448,661	S	10/2001	Kerr et al.
6,357,631	B1	3/2002	Zaksenberg
6,419,118	B1	7/2002	Rees et al.
6,435,374	B1	8/2002	Tabaroni
6,460,781	B1	10/2002	Garcia et al.
6,557,731	B1	5/2003	Lyon et al.
6,601,737	B1	8/2003	Sandler
6,648,140	B2	11/2003	Petricca
6,663,019	B2	12/2003	Garcia et al.
D484,972	S	1/2004	Steele, IV et al.
6,702,462	B2	3/2004	Richardson

6,811,057	B2	11/2004	Duquet et al.
6,854,888	B1	2/2005	Brown et al.
6,863,178	B2	3/2005	Sokolsky et al.
D505,861	S	6/2005	Risgalla
6,955,028	B1	10/2005	Dunaway
D512,648	S	12/2005	Smith et al.
7,004,322	B1	2/2006	Bartoli
D523,758	S	6/2006	Risgalla
D537,341	S	2/2007	Liebe et al.
RE39,520	E	3/2007	Hess, III et al.
D553,007	S	10/2007	Goodwin et al.
D555,011	S	11/2007	Spanjaard
D580,782	S	11/2008	Murray
7,506,762	B2	3/2009	Nelson et al.
D598,299	S	8/2009	Isogai et al.
D604,637	S	11/2009	Ueda
D621,719	S *	8/2010	Caldwell et al. D9/707
D628,903	S *	12/2010	Caldwell et al. D9/711
D632,565	S *	2/2011	Caldwell et al. D9/435
D632,566	S *	2/2011	Caldwell et al. D9/435
D632,567	S *	2/2011	Caldwell et al. D9/435
D632,570	S *	2/2011	Caldwell et al. D9/435
D634,643	S *	3/2011	Caldwell et al. D9/707
D641,642	S *	7/2011	Caldwell et al. D9/707
2001/0045374	A1	11/2001	Selker
2002/0100760	A1	8/2002	Rinks
2002/0148855	A1	10/2002	Sokolsky et al.
2003/0015605	A1	1/2003	Garcia et al.
2003/0183637	A1	10/2003	Zappa et al.
2006/0278562	A1	12/2006	Van Puijenbroek
2007/0034647	A1	2/2007	Patrick
2007/0164045	A1	7/2007	Wydler et al.
2007/0228073	A1	10/2007	Mazzarino
2010/0008602	A1	1/2010	Risgalla

FOREIGN PATENT DOCUMENTS

WO	WO9728054	8/1997
WO	WO02070352	9/2002
WO	WO2004063048	7/2004
WO	WO2007126817	11/2007

* cited by examiner

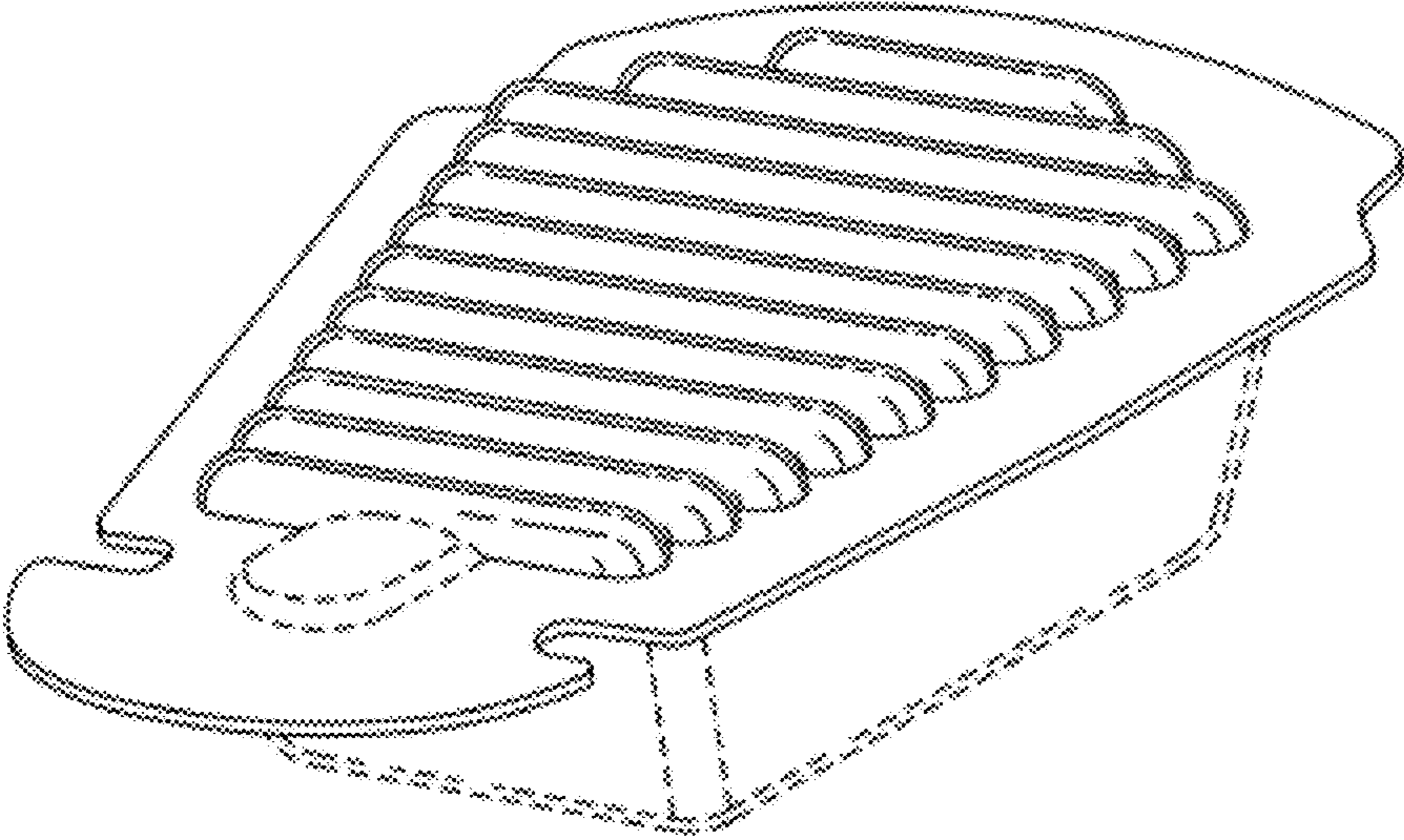


FIG. 1

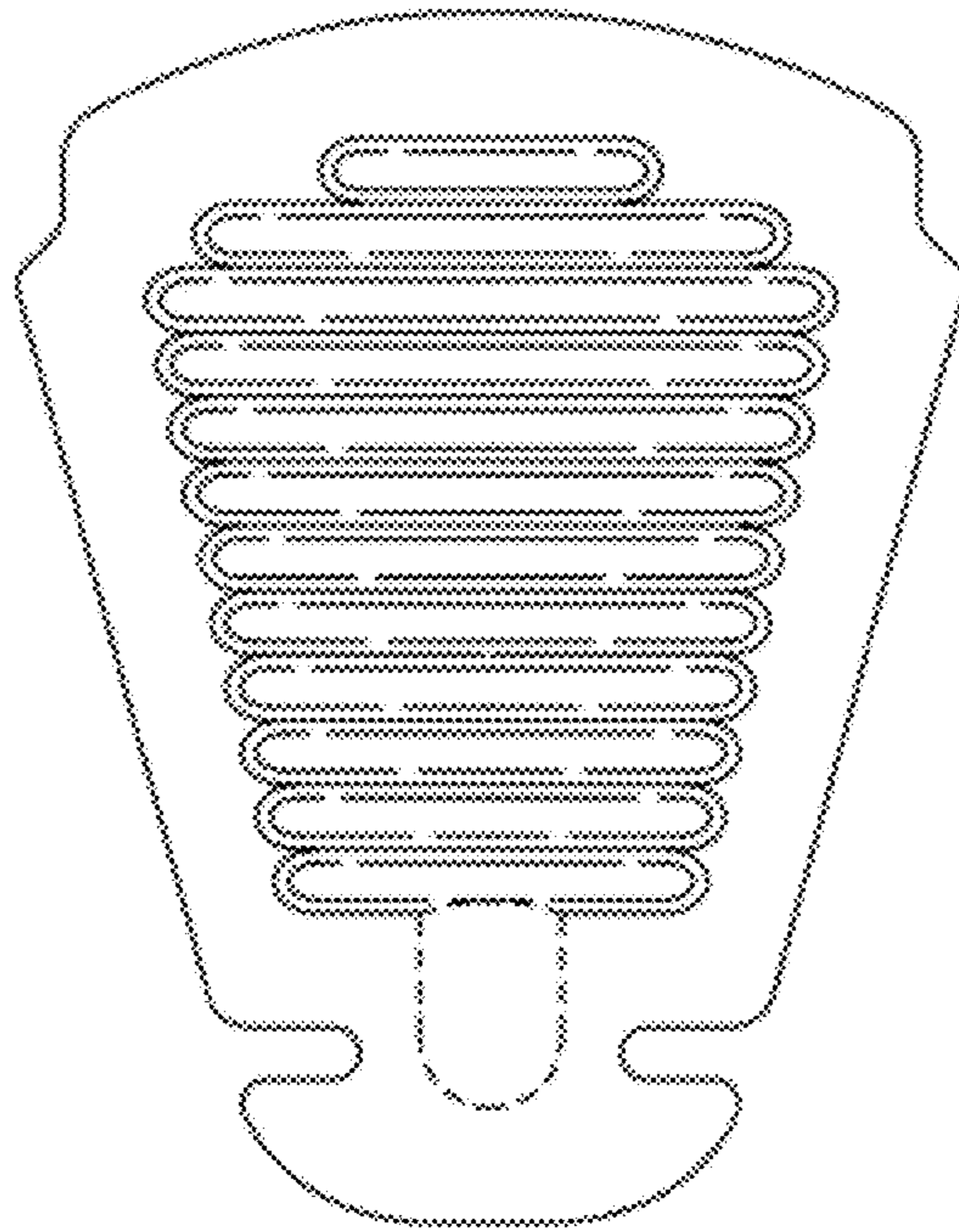


FIG. 2

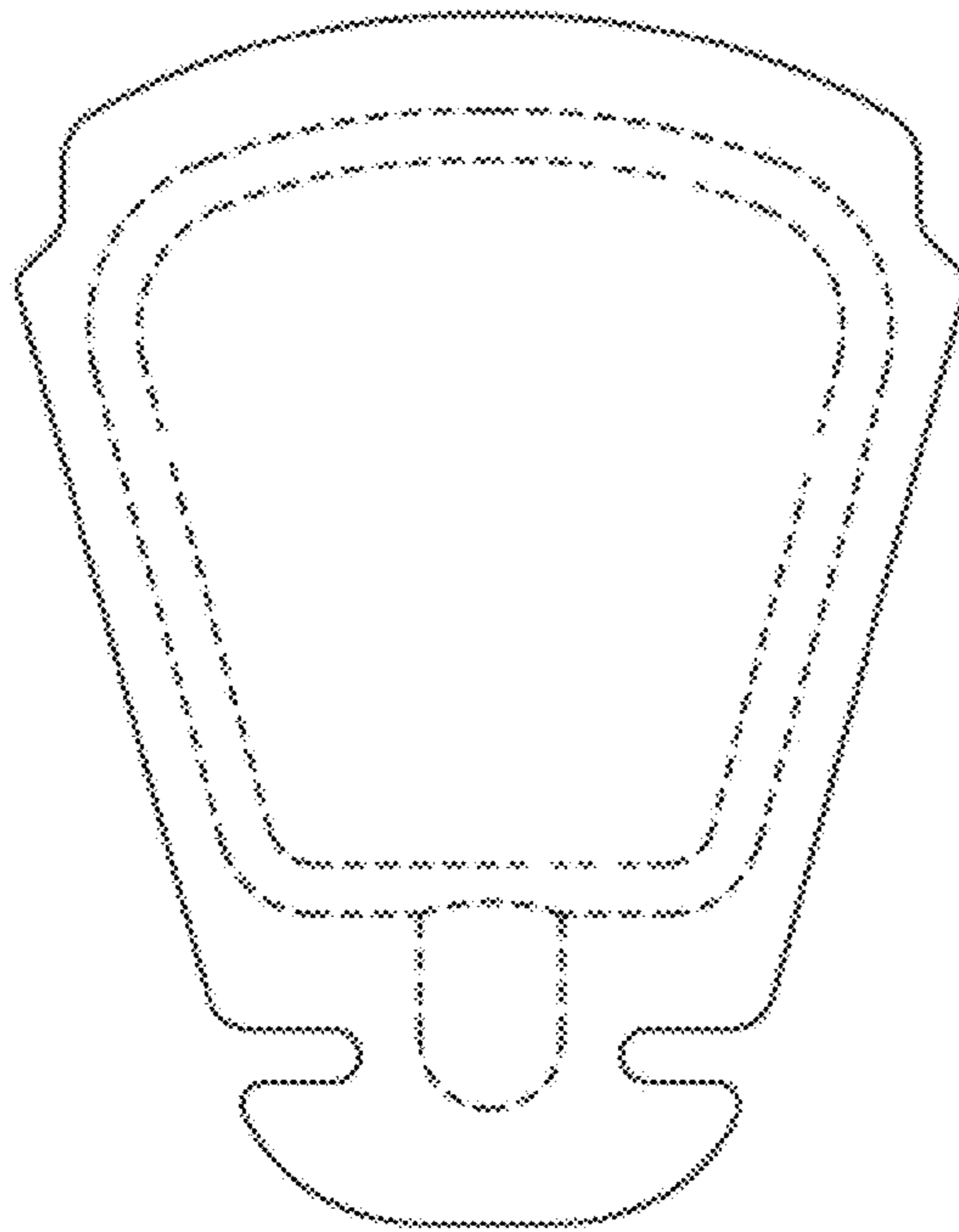


FIG. 3

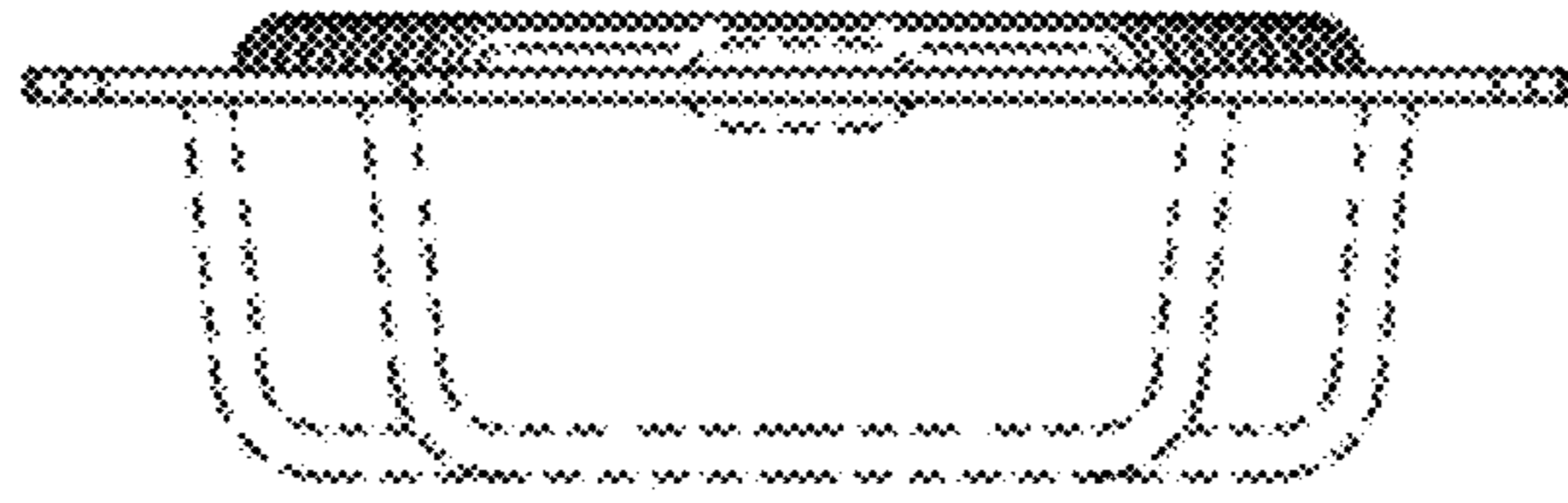


FIG. 4

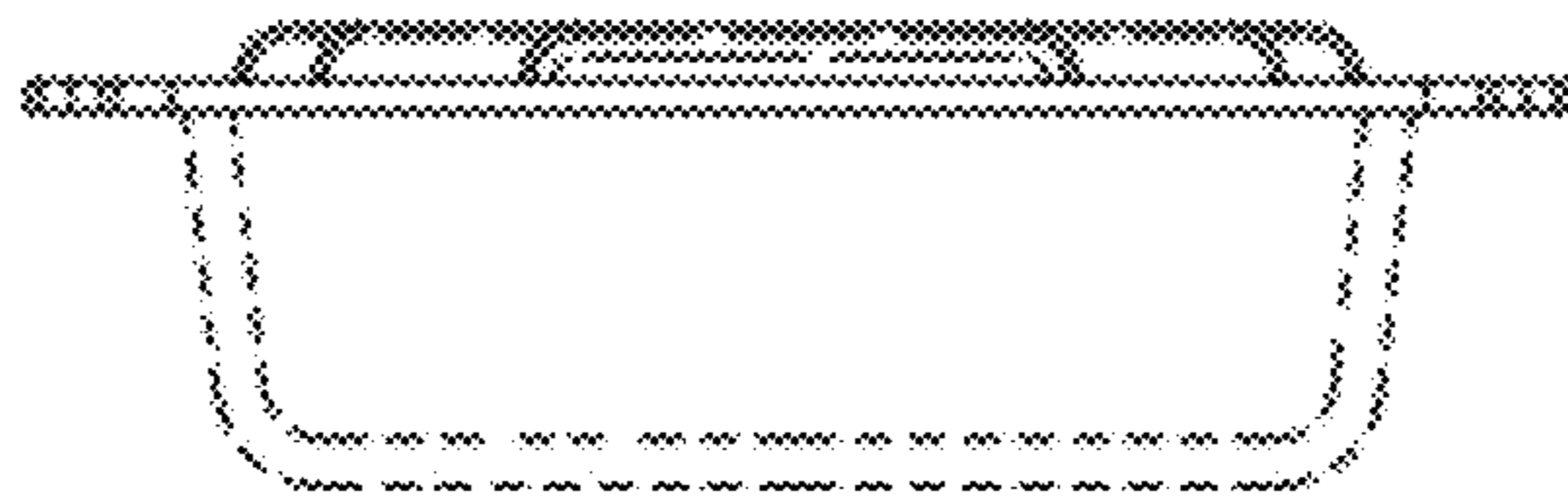


FIG. 5

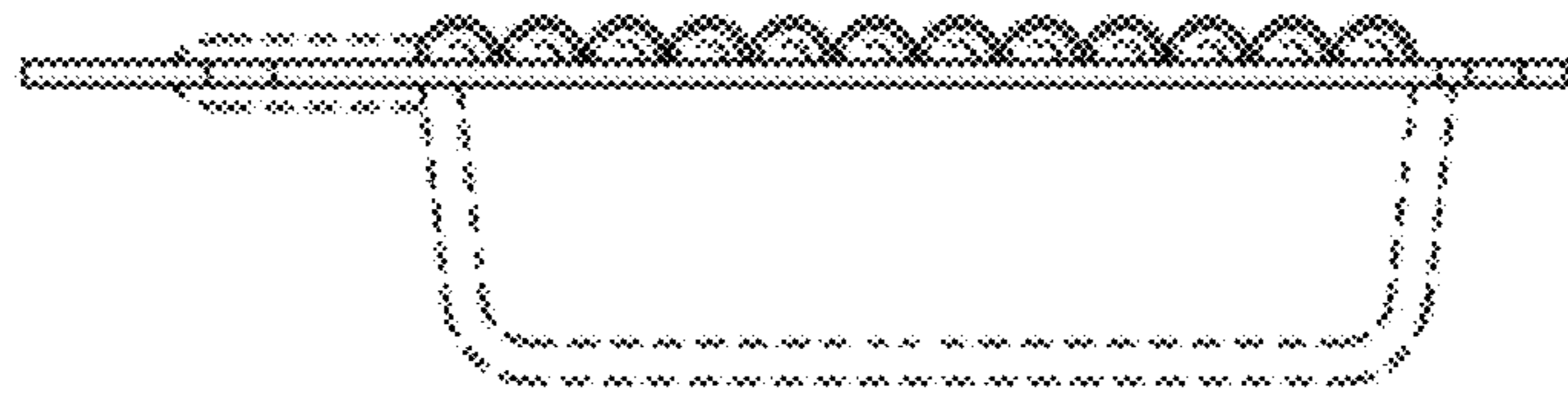


FIG. 6

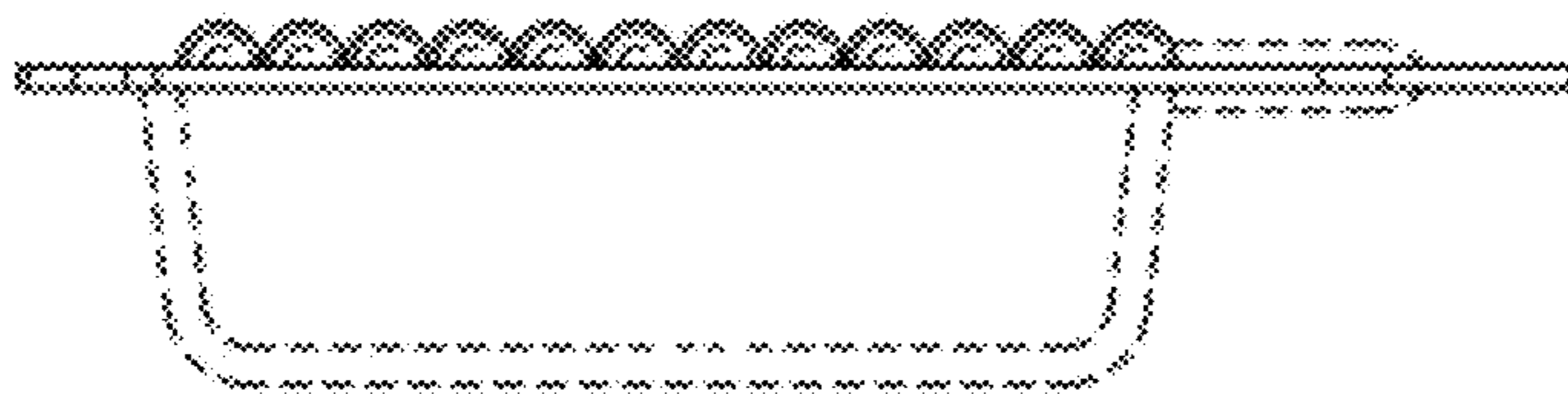


FIG. 7