

US00D669362S

(12) **United States Design Patent**
Lam

(10) **Patent No.:** **US D669,362 S**
(45) **Date of Patent:** **** Oct. 23, 2012**

(54) **SOUR BLAST CANDY SPRAYER BOTTLE**

(76) Inventor: **Samy Hak Tang Lam, Kowloon (HK)**

(**) Term: **14 Years**

(21) Appl. No.: **29/382,179**

(22) Filed: **Dec. 29, 2010**

(51) **LOC (9) Cl.** **09-01**

(52) **U.S. Cl.** **D9/680; D9/685**

(58) **Field of Classification Search** D9/643-647,
D9/657, 680, 682-694, 715, 719, 503, 504,
D9/516-575, 434-450, 453; D26/223-226;
D7/505-507, 511, 300.1, 302, 305, 312, 313,
D7/320-322, 589, 598, 599; D21/570, 572;
D6/542; D1/102, 104, 105; D22/112; 222/129,
222/135, 153.01, 153.03, 153.04, 153.09,
222/153.11-153.14, 182, 631, 635, 209,
222/211-213, 215, 321.7-321.9, 372, 373,
222/378, 379, 383.1, 384-386, 398, 400.7,
222/400.8, 401, 402.1-402.25; 215/379-385;
220/669-675; 426/104, 112, 115, 116, 132,
426/135; 446/76, 267, 473, 475

See application file for complete search history.

(56) **References Cited**

U.S. PATENT DOCUMENTS

D189,557 S * 1/1961 Soffer D9/453
D208,885 S * 10/1967 Roehrich D9/503
D242,773 S * 12/1976 Licari et al. D9/448
D296,229 S * 6/1988 Cunning D23/214
4,787,560 A * 11/1988 DeYoreo 239/373

D328,025 S * 7/1992 Farricielli D9/691
D418,061 S * 12/1999 Starker D9/520
6,187,352 B1 * 2/2001 Crosbie 426/104
D472,800 S * 4/2003 Levanen et al. D9/680
D484,403 S * 12/2003 Crawford D9/682
D541,659 S * 5/2007 Fischer D9/529
D596,950 S * 7/2009 Nevins et al. D9/690
D616,718 S * 6/2010 van der Lande D8/85
2006/0006198 A1 * 1/2006 Lasserre et al. 222/383.1

FOREIGN PATENT DOCUMENTS

EM 000024971-0001 * 9/2003
EM 000317128-0001 * 5/2005
EM 001756404-0001 * 10/2010
WO D032520-001 * 5/1995

* cited by examiner

Primary Examiner — Catherine Tuttle

(74) *Attorney, Agent, or Firm* — Gloria Tsui-Yip, Esq.

(57) **CLAIM**

I claim the ornamental design for a sour blast candy spray bottle, as shown and described.

DESCRIPTION

FIG. 1 is a front view of the sour blast candy spray bottle showing my new design;

FIG. 2 is a rear view thereof;

FIG. 3 is a left side view thereof;

FIG. 4 is a right side view thereof;

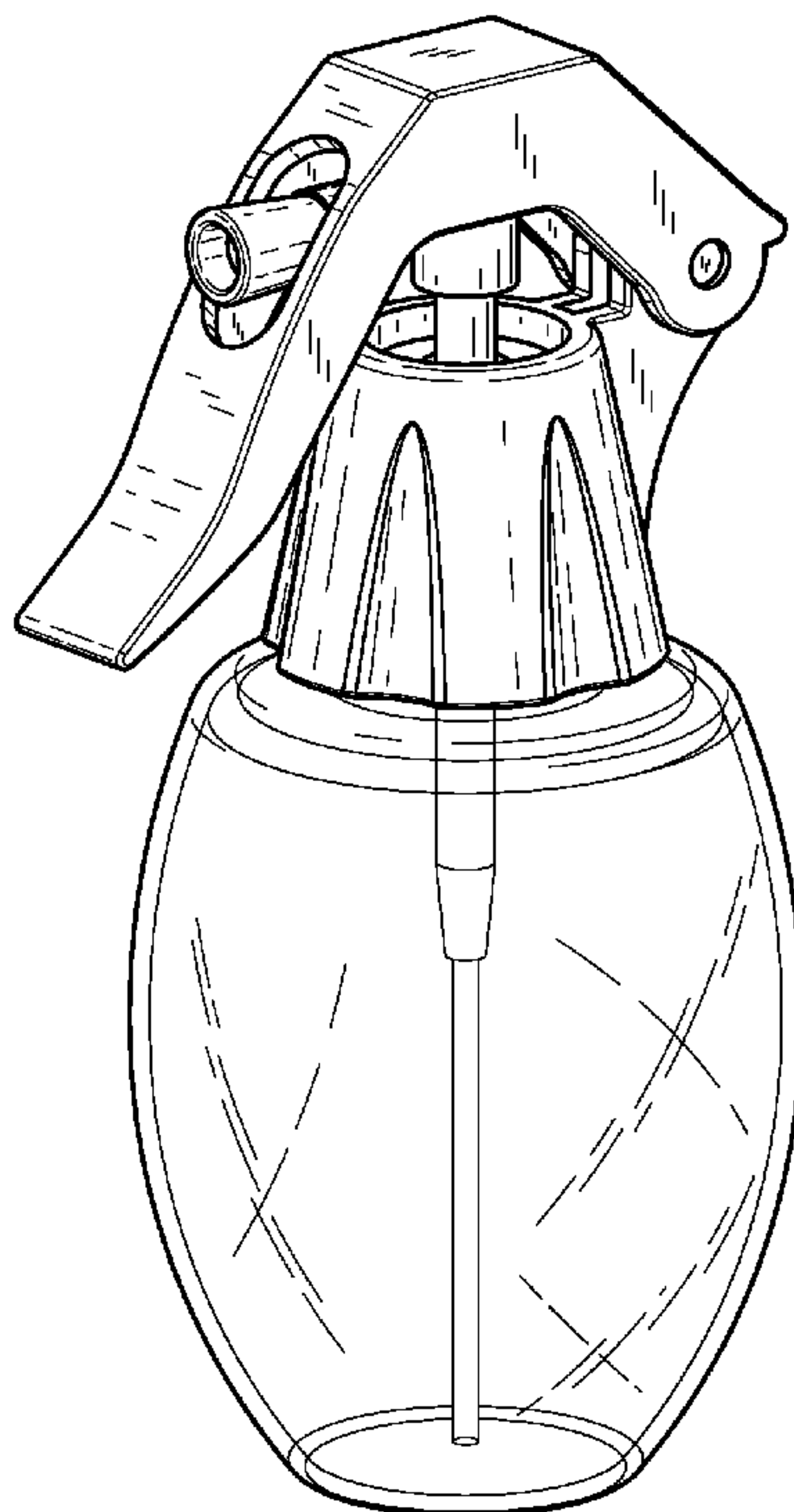
FIG. 5 is a top view thereof;

FIG. 6 is a bottom view thereof;

FIG. 7 is a perspective view thereof; and,

FIG. 8 is an open perspective view thereof.

1 Claim, 5 Drawing Sheets



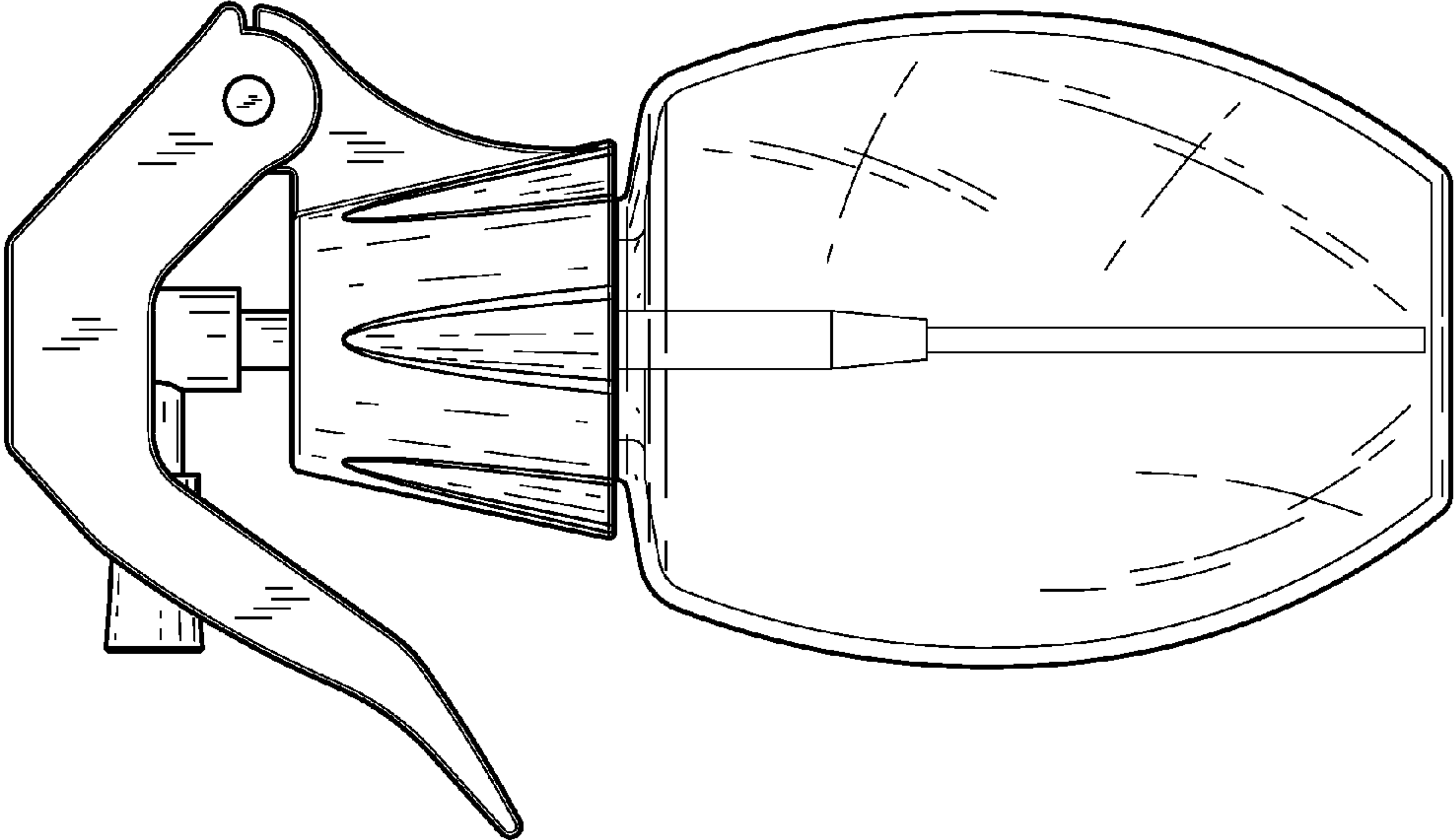


Fig.2

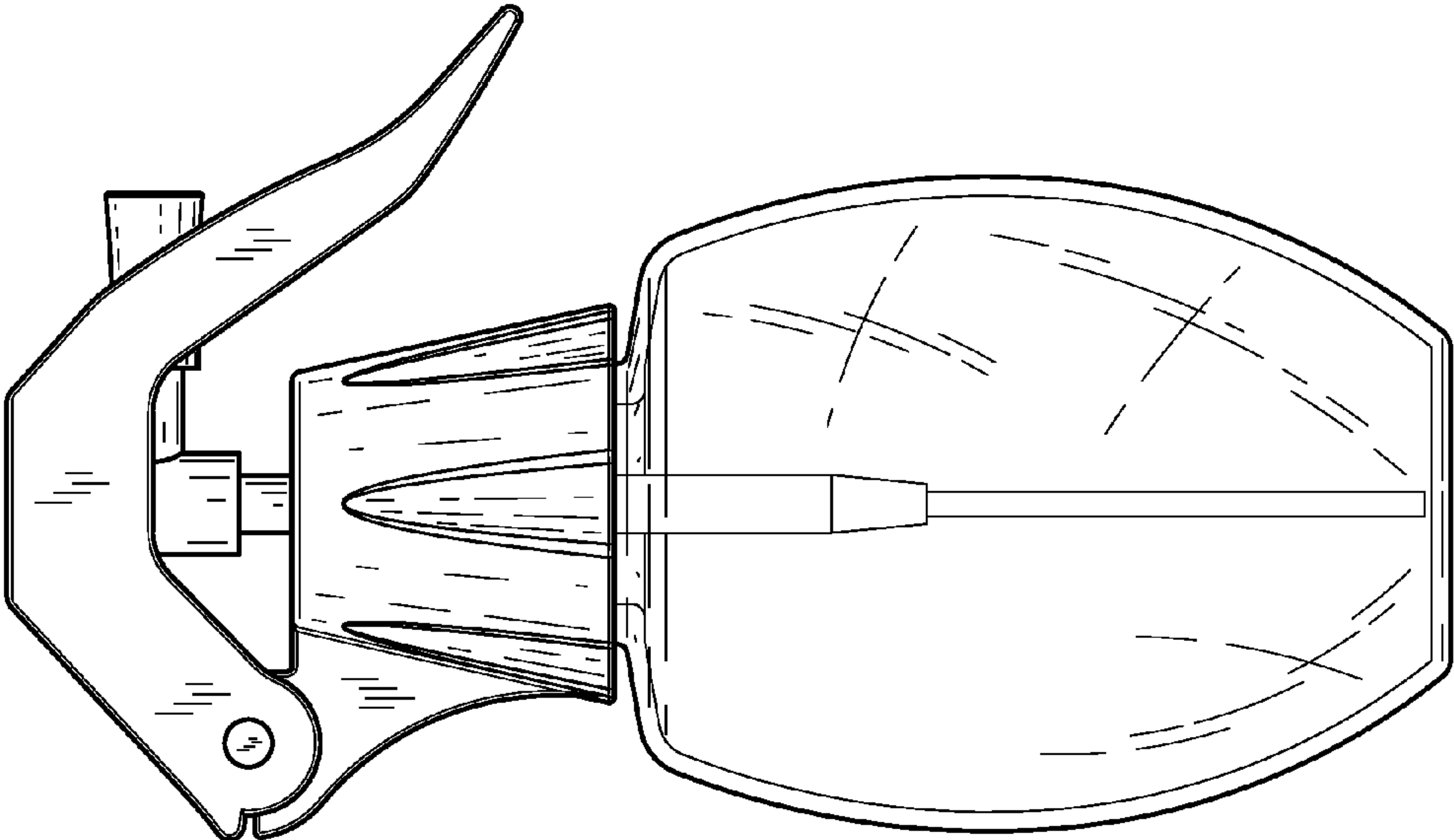


Fig.1

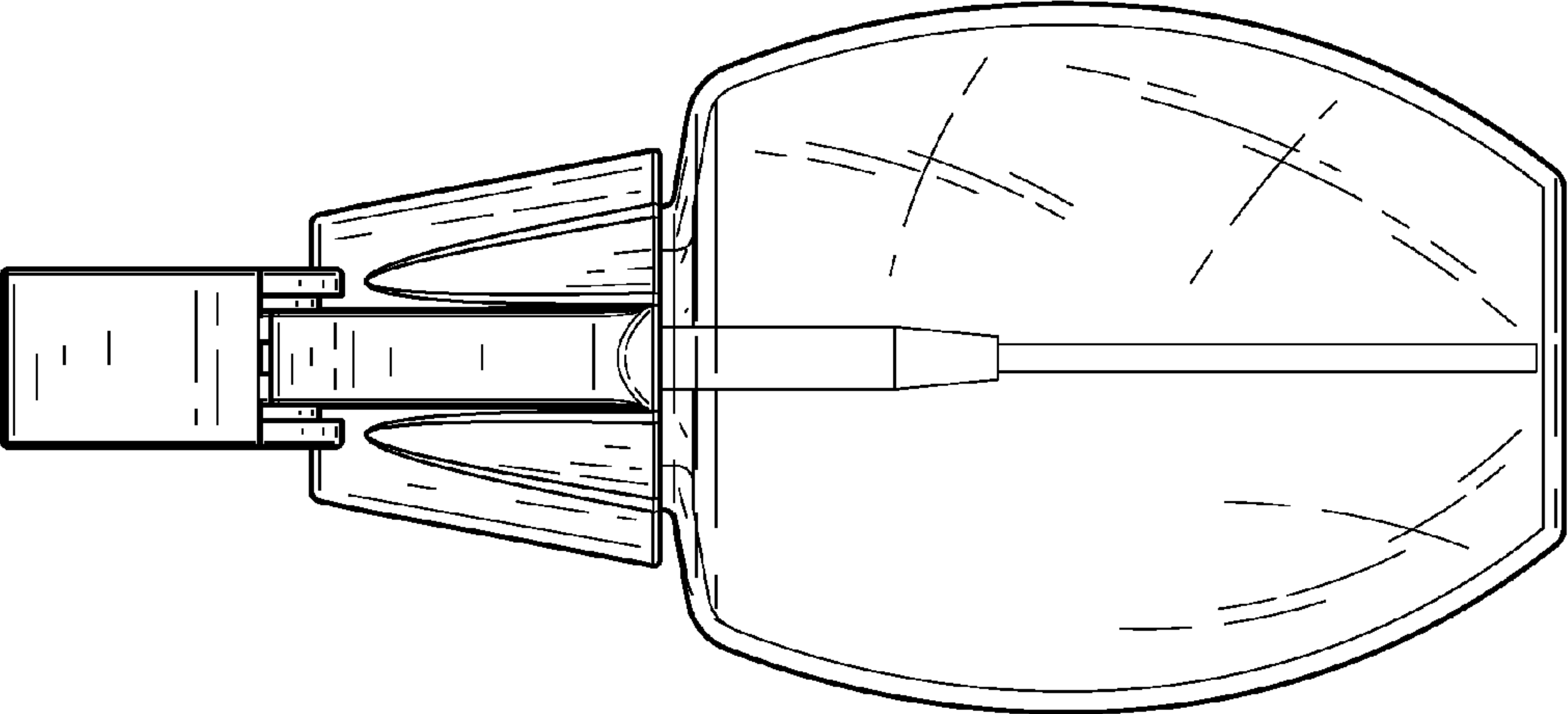


Fig.4

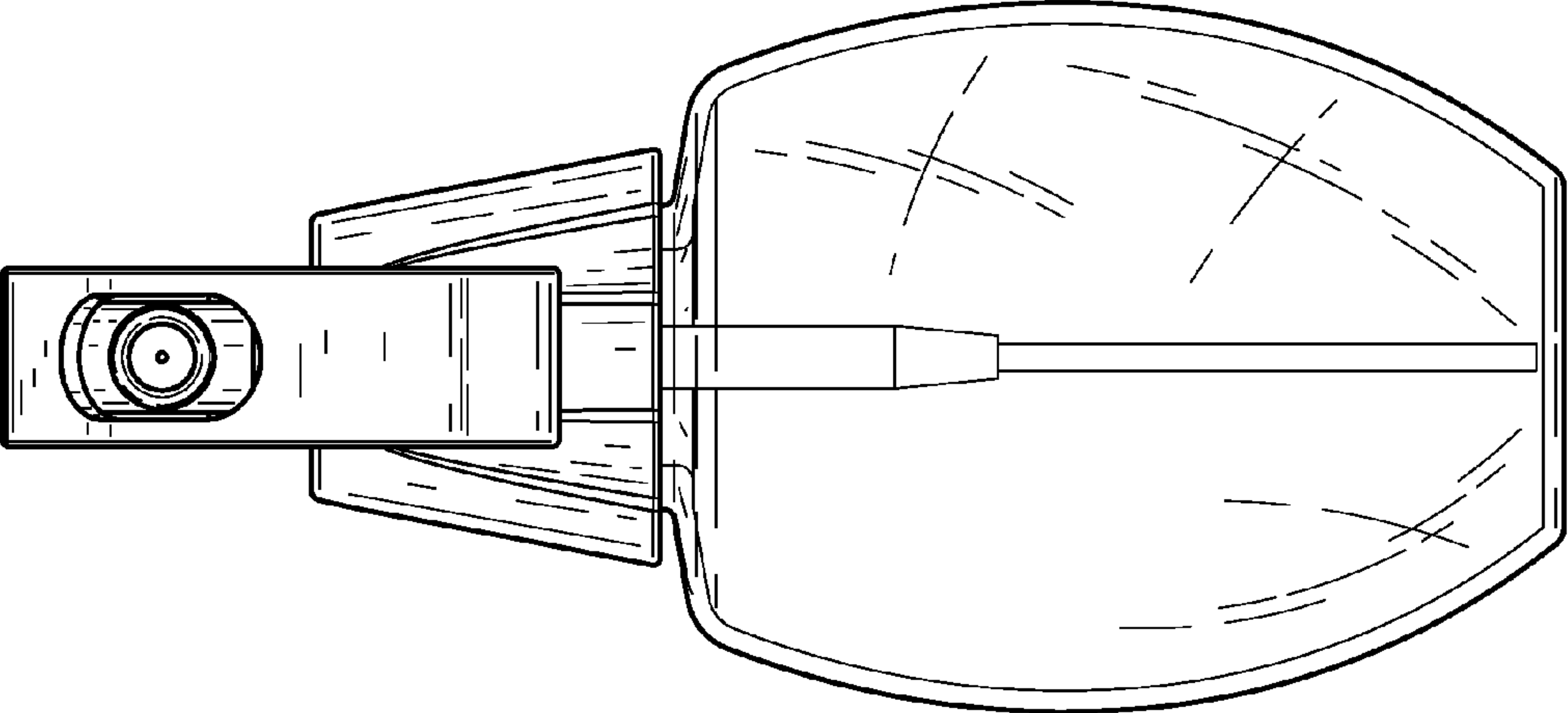


Fig.3

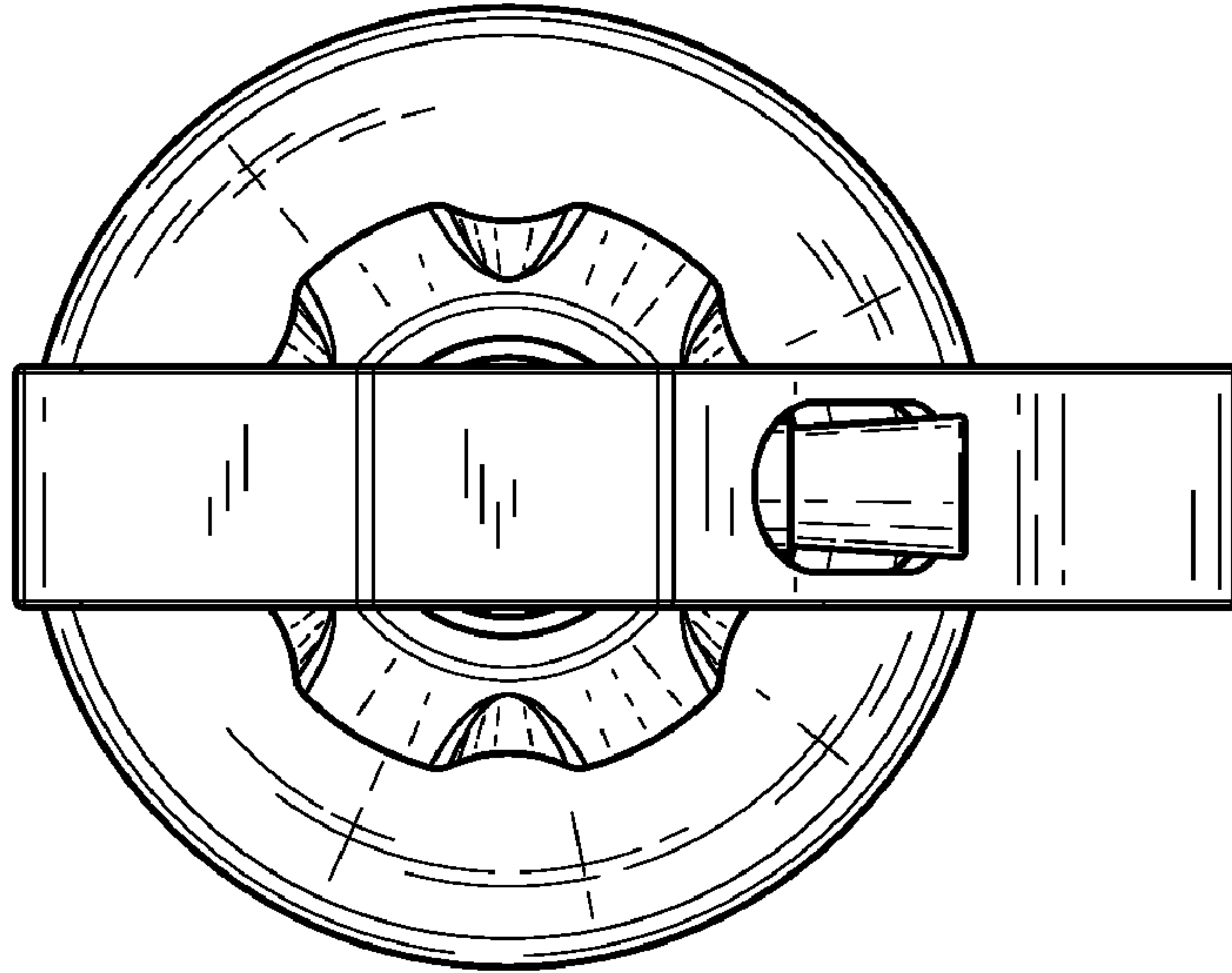


Fig.5

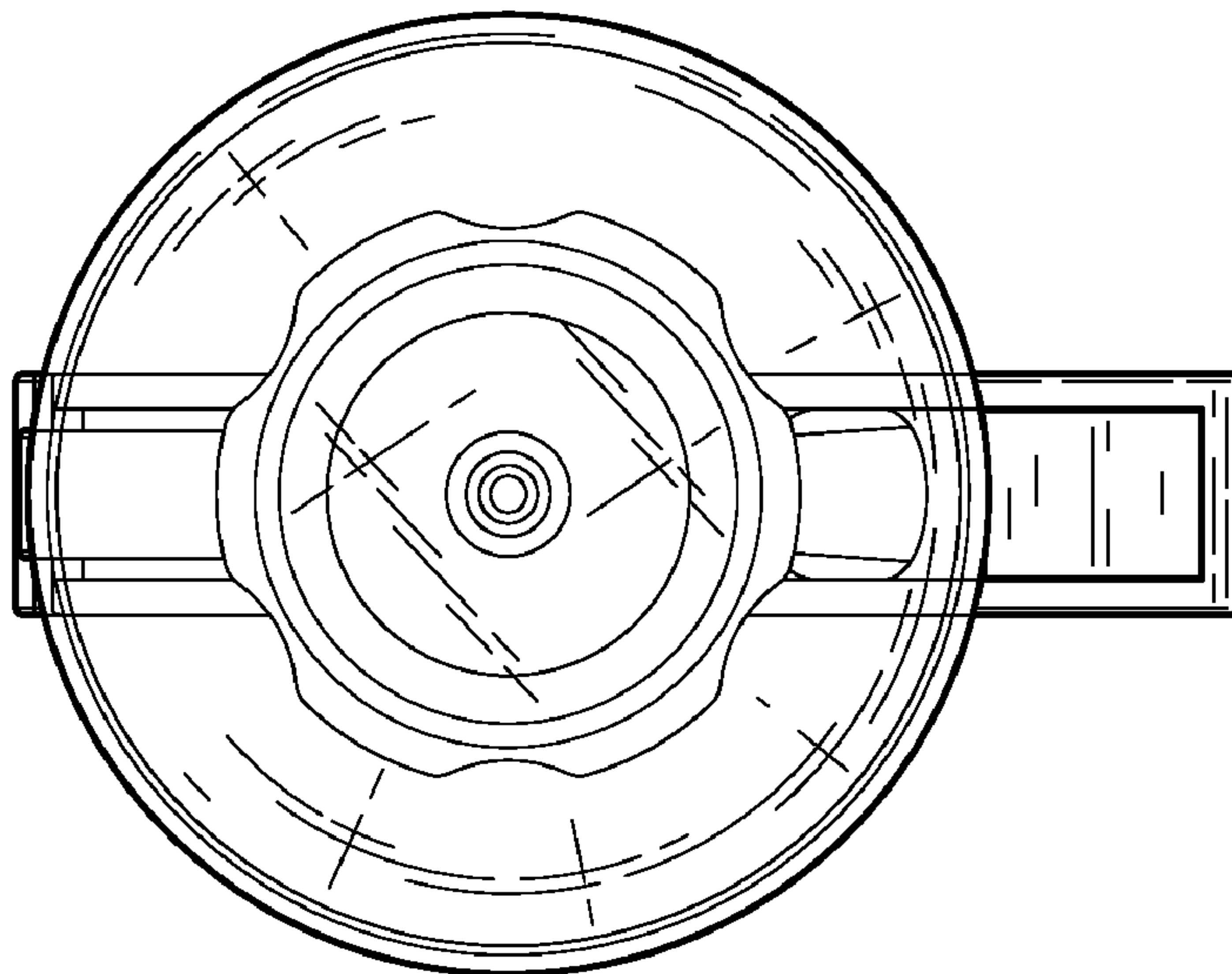


Fig.6

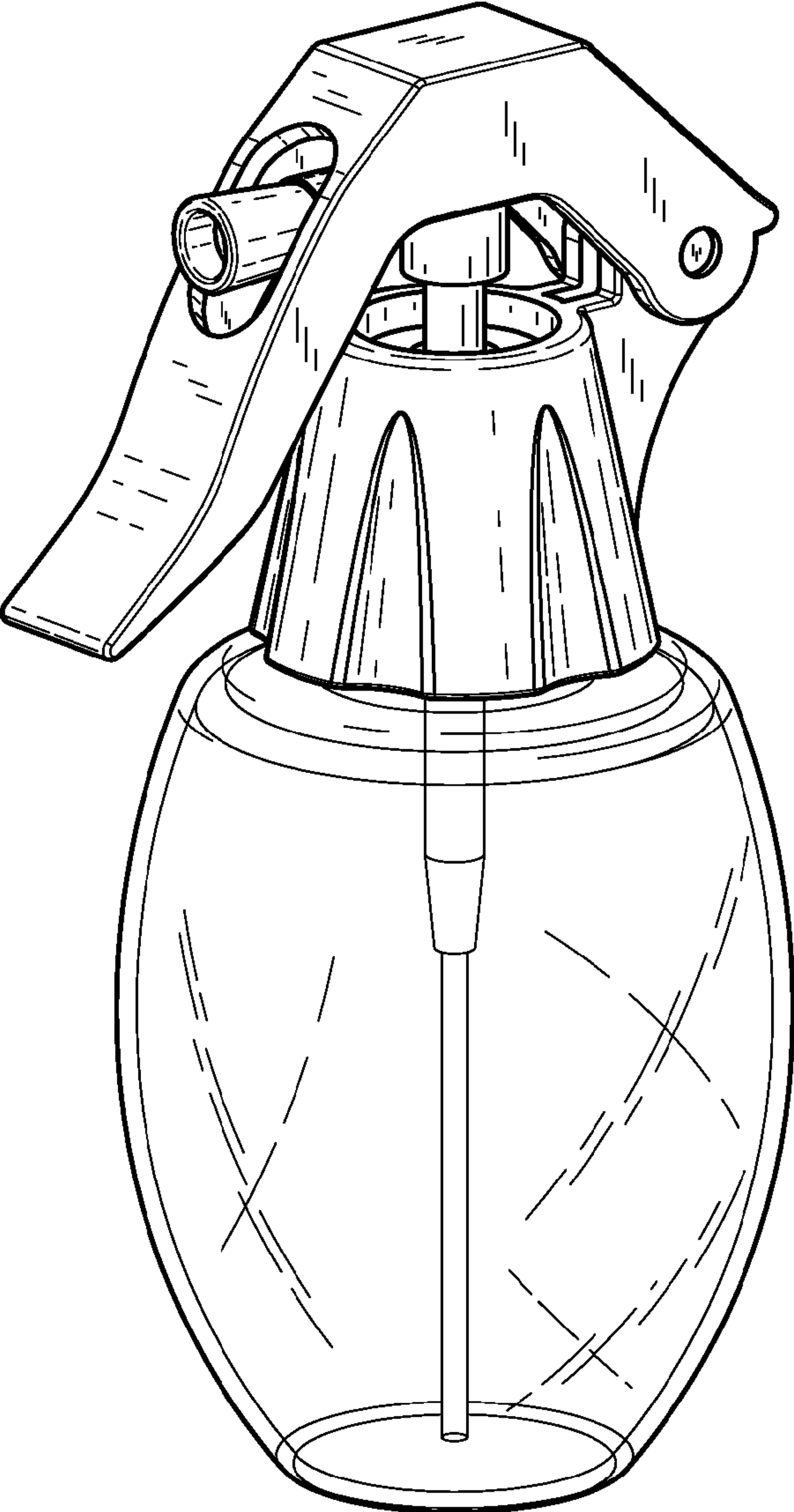


Fig.7

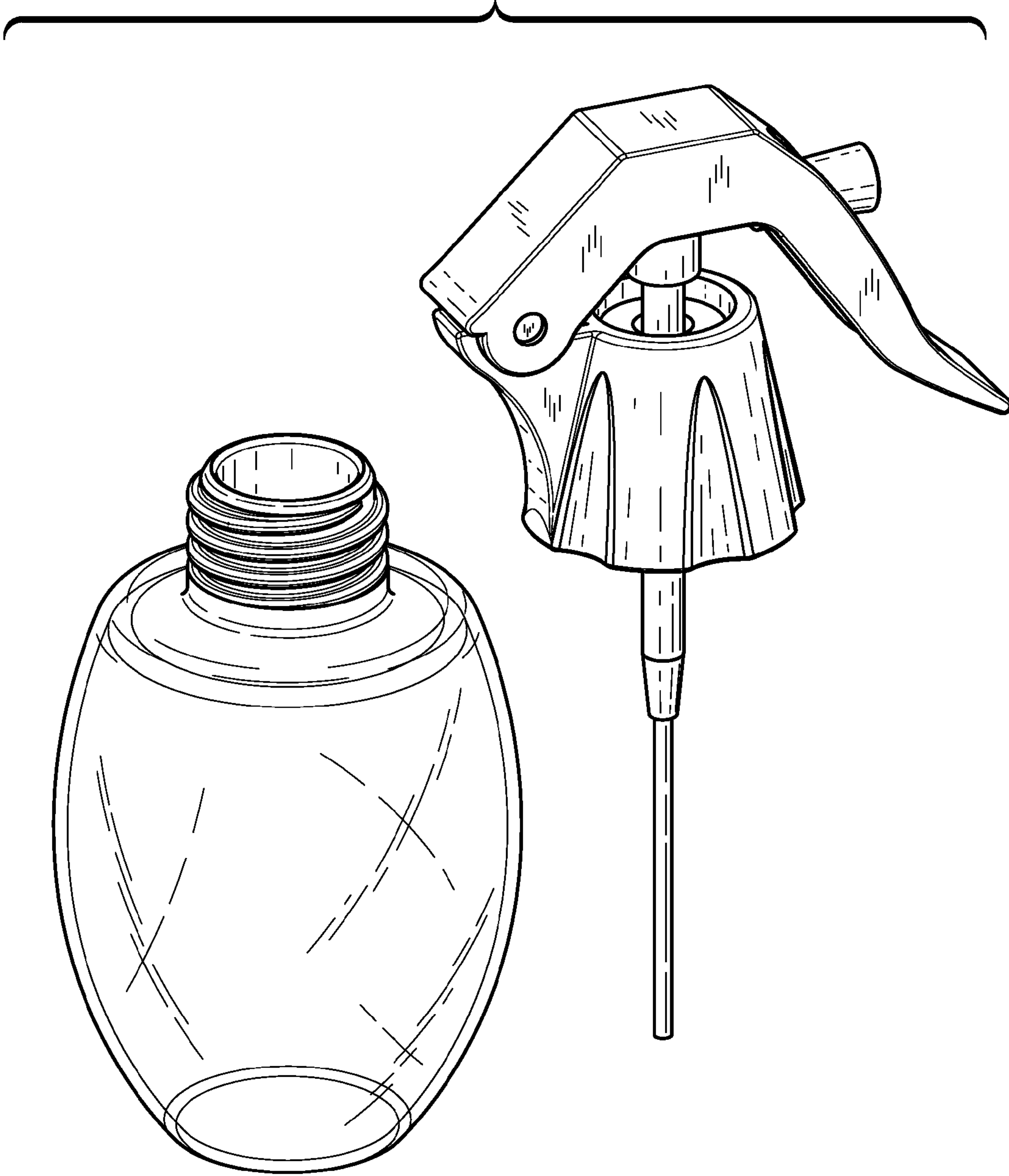


Fig.8