



US00D669357S

(12) **United States Design Patent**  
**Dorn**

(10) **Patent No.:** **US D669,357 S**  
(45) **Date of Patent:** **\*\* Oct. 23, 2012**

(54) **PLASTIC CONTAINER**

(75) Inventor: **James Christopher Dorn**, Sterling, OH (US)

(73) Assignee: **Plastipak Packaging, Inc.**, Plymouth, MI (US)

(\*\*) Term: **14 Years**

(21) Appl. No.: **29/422,607**

(22) Filed: **May 22, 2012**

**Related U.S. Application Data**

(62) Division of application No. 29/351,360, filed on Dec. 4, 2009, now Pat. No. Des. 662,421.

(51) **LOC (9) Cl.** ..... **09-01**

(52) **U.S. Cl.** ..... **D9/531; D9/543; D9/551; D9/555; D9/557; D9/560**

(58) **Field of Classification Search** ..... **D9/516, D9/530, 531, 541, 543, 555-557, 559, 560, D9/568-570, 575; 215/381-385; 220/660, 220/662, 675**

See application file for complete search history.

(56) **References Cited**

**U.S. PATENT DOCUMENTS**

D203,226 S *	12/1965	Schnur et al.	.....	D9/531
D213,821 S *	4/1969	Platte	.....	D9/531
D256,664 S *	9/1980	Burrington et al.	.....	D9/520
D332,747 S *	1/1993	Darr et al.	.....	D9/520
D392,188 S *	3/1998	Darr et al.	.....	D9/520

D409,494 S *	5/1999	Frazer	.....	D9/520
D502,098 S *	2/2005	Haley	.....	D9/434
D511,462 S *	11/2005	Haley et al.	.....	D9/531
D512,320 S *	12/2005	Haley et al.	.....	D9/531
D515,932 S *	2/2006	Sinclair et al.	.....	D9/527
D528,008 S *	9/2006	Lovelace et al.	.....	D9/560
D604,623 S *	11/2009	Baker, III	.....	D9/531
D612,734 S *	3/2010	Sarsfield-Thomas et al.	.....	D9/516
D652,729 S *	1/2012	Young et al.	.....	D9/531
D662,421 S *	6/2012	Dorn	.....	D9/531
2010/0326872 A1 *	12/2010	Rivera et al.	.....	206/509
2011/0132863 A1 *	6/2011	Dorn	.....	215/10

\* cited by examiner

*Primary Examiner* — Keli L Hill

(74) *Attorney, Agent, or Firm* — Dykema Gossett PLLC

(57) **CLAIM**

The ornamental design for a plastic container, as shown and described.

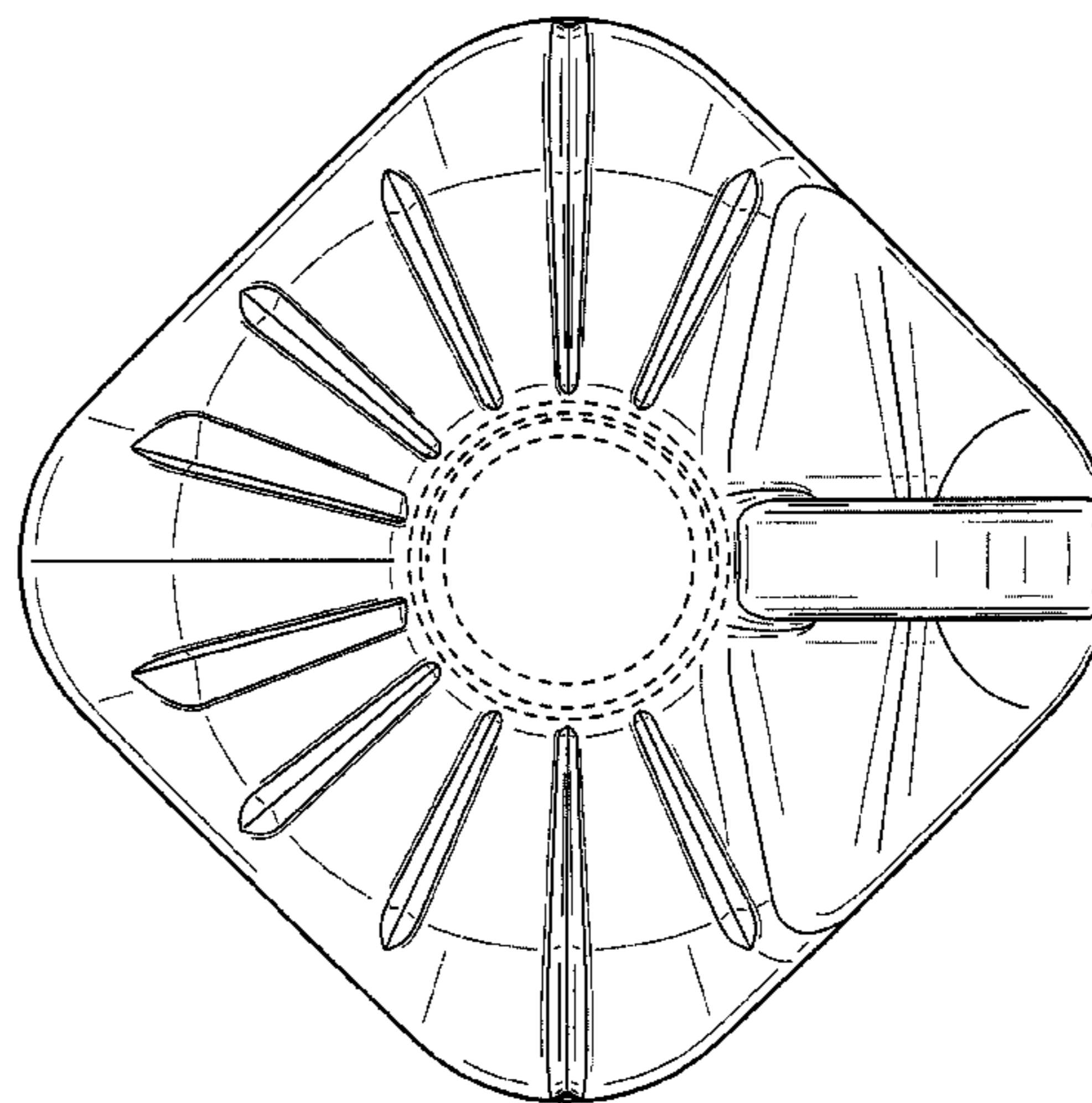
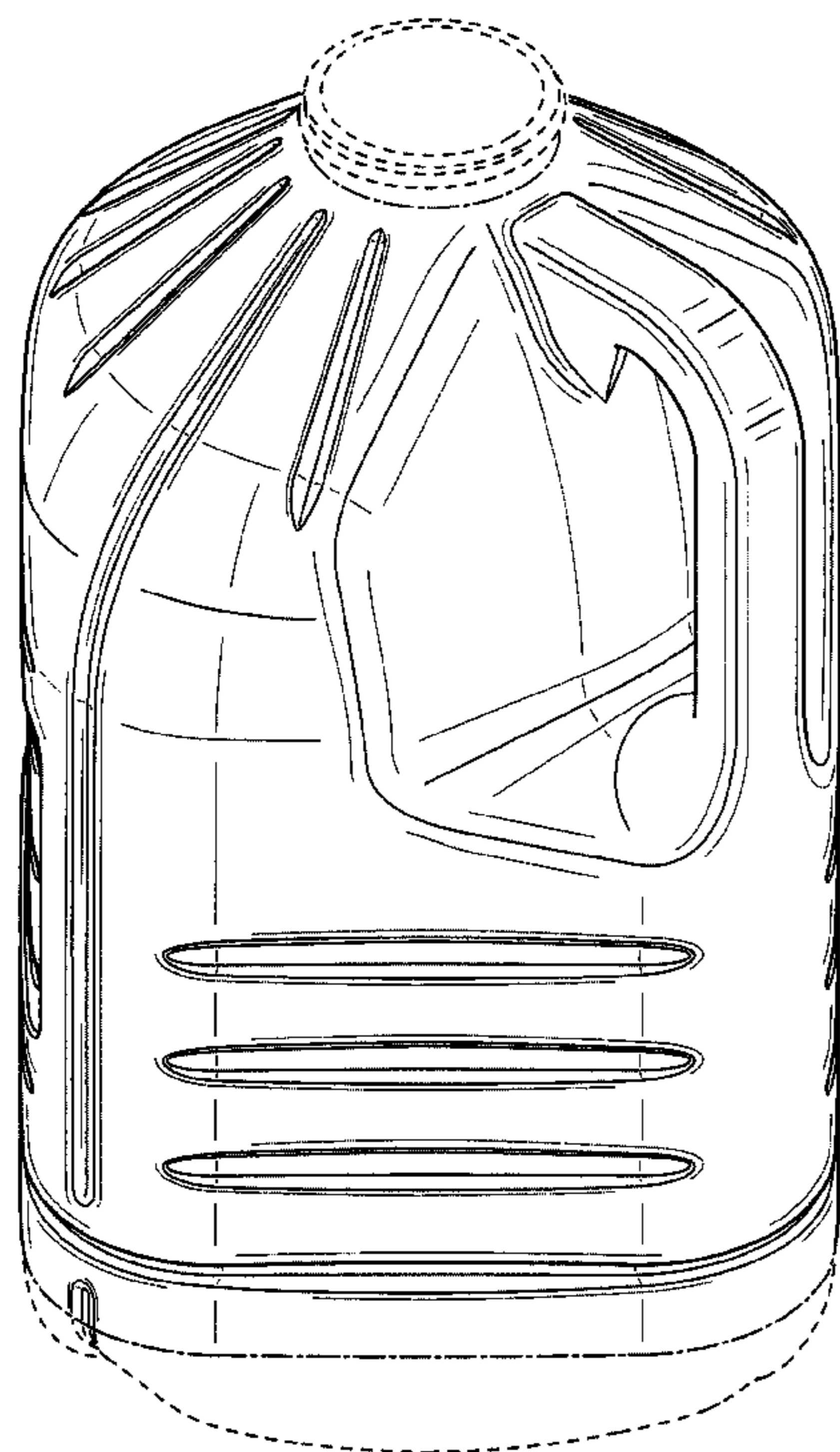
**DESCRIPTION**

FIG. 1 is a top-rear-right perspective view of the design; FIG. 2 is a front elevational view thereof; FIG. 3 is a rear elevational view thereof; FIG. 4 is a right side elevational view thereof; FIG. 5 is a left side elevational view thereof; FIG. 6 is a top plan view thereof; and, FIG. 7 is a bottom plan view thereof.

The dash-dash-dash-dash broken lines shown in the drawing views are for environmental purposes only and form no part of the claimed design.

The dot-dash-dot-dash broken lines shown in the drawings represent the boundary lines of the claimed design.

**1 Claim, 7 Drawing Sheets**



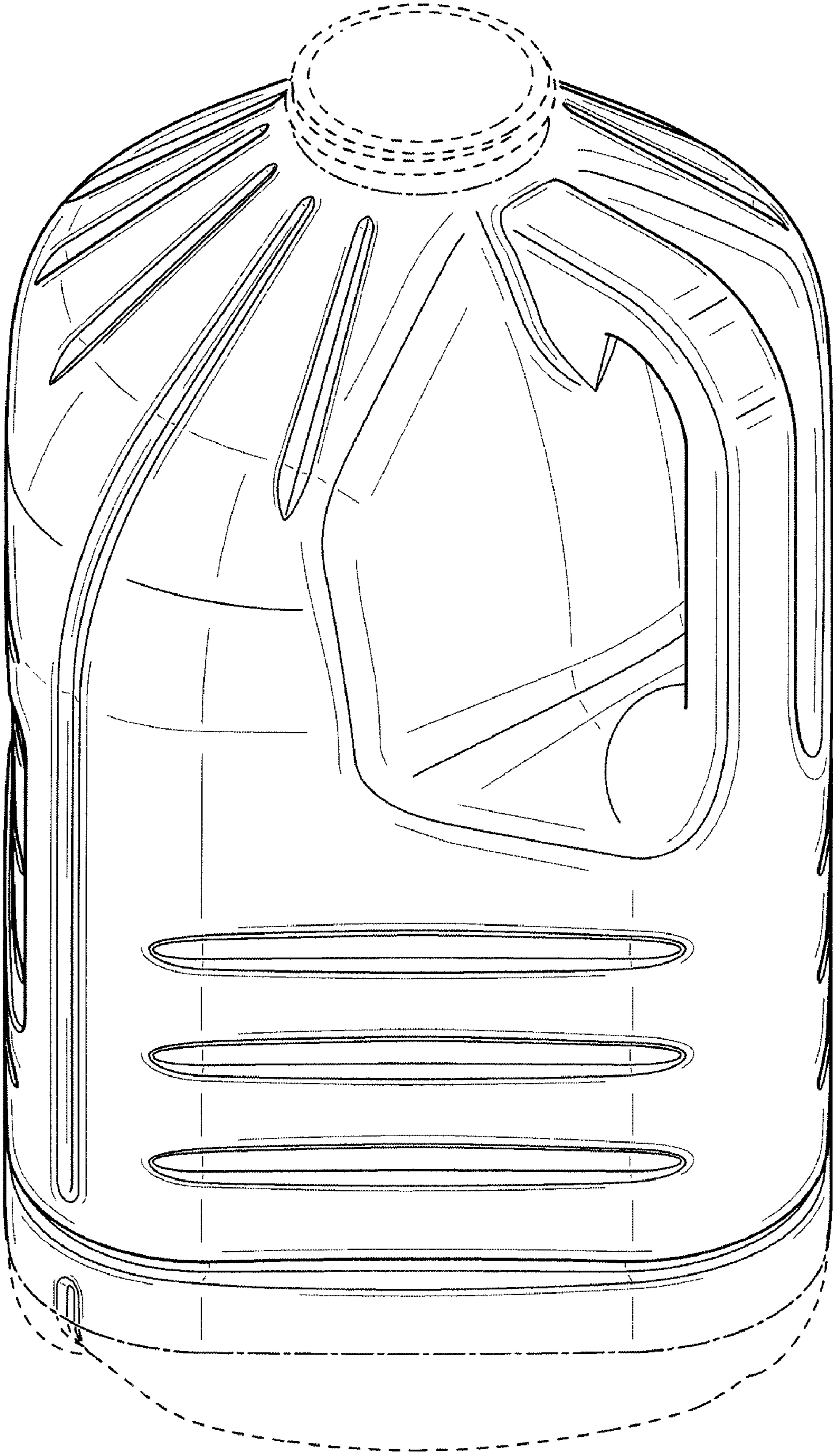


FIG. 1

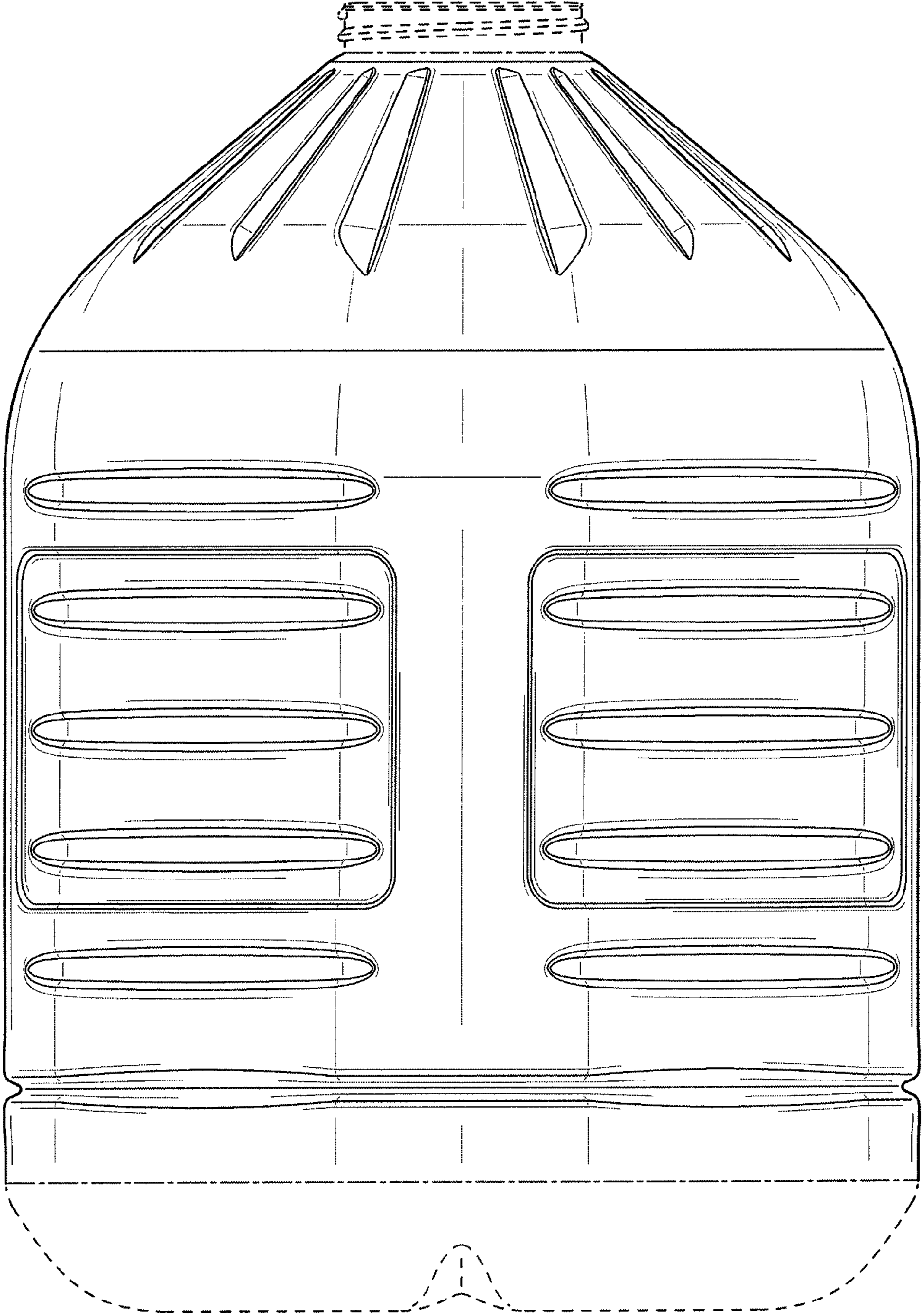


FIG. 2

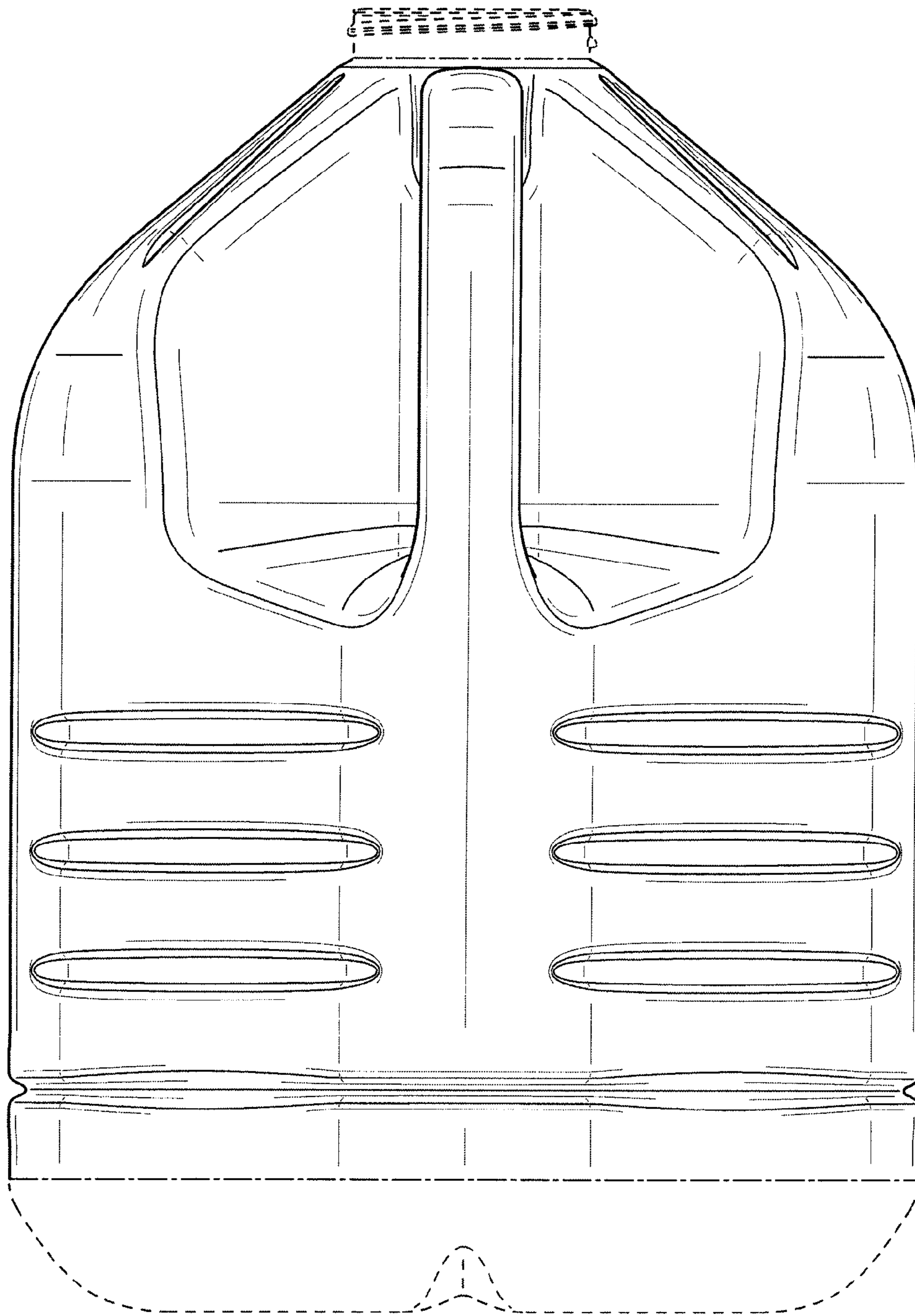


FIG. 3

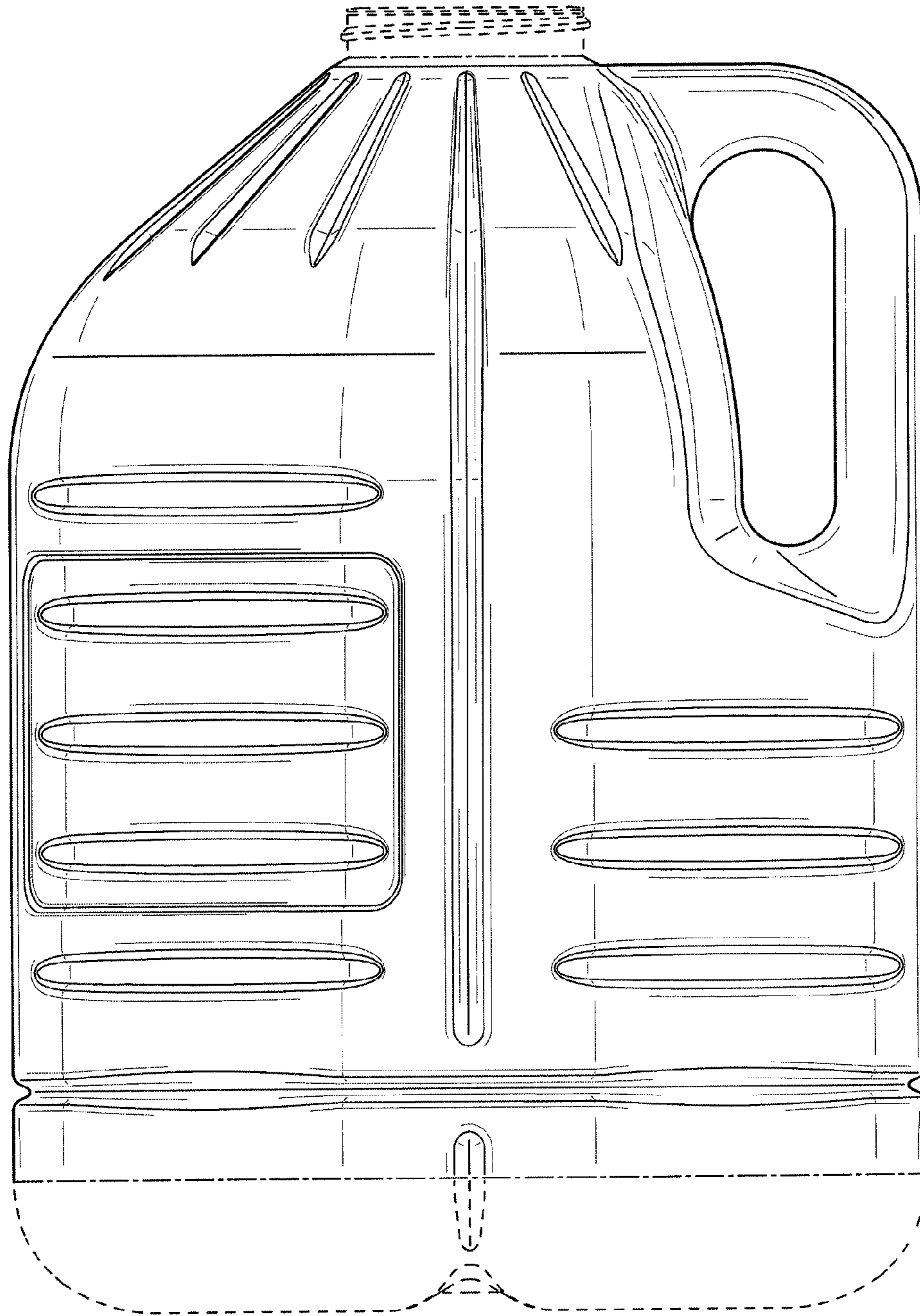


FIG. 4

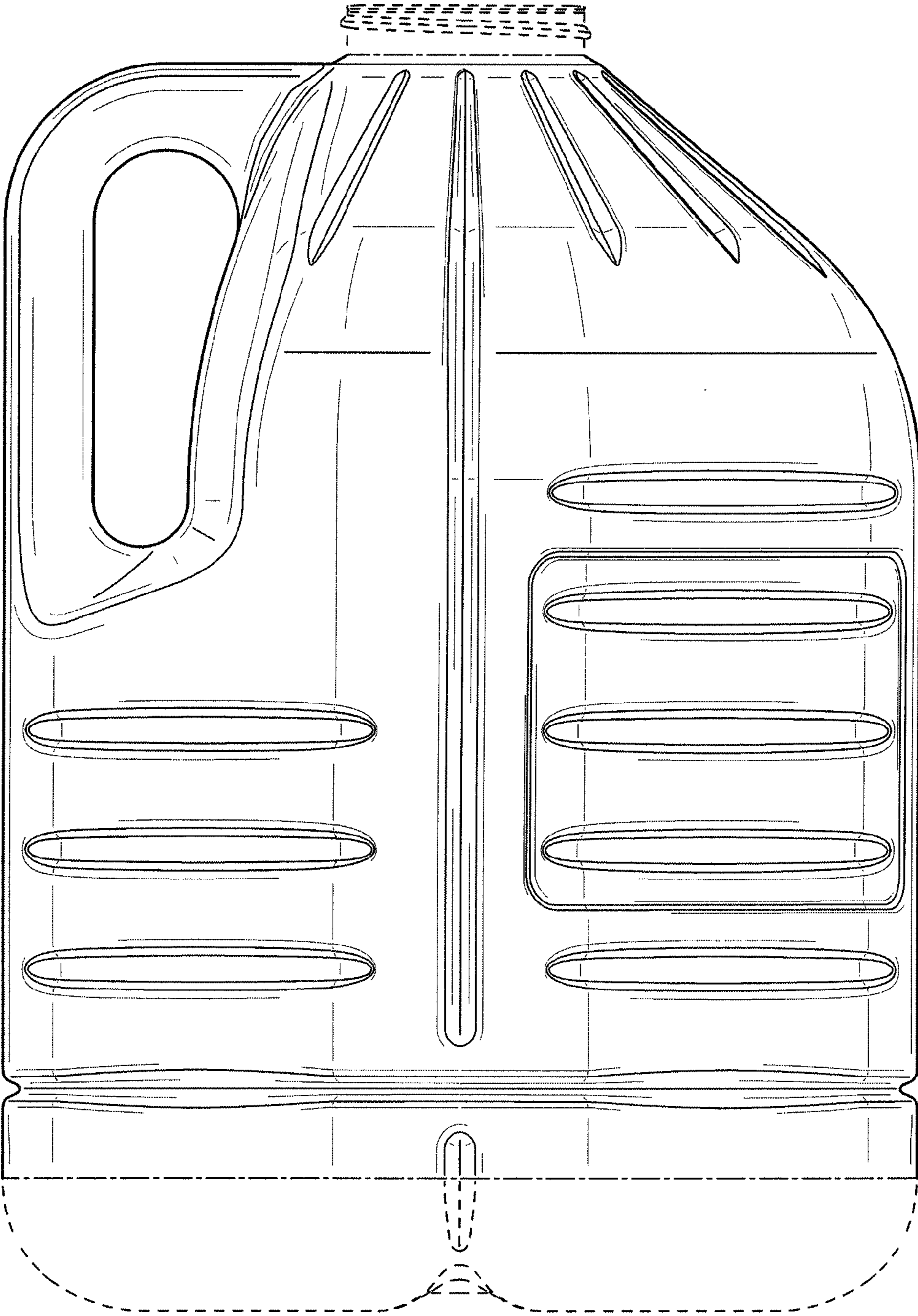


FIG. 5

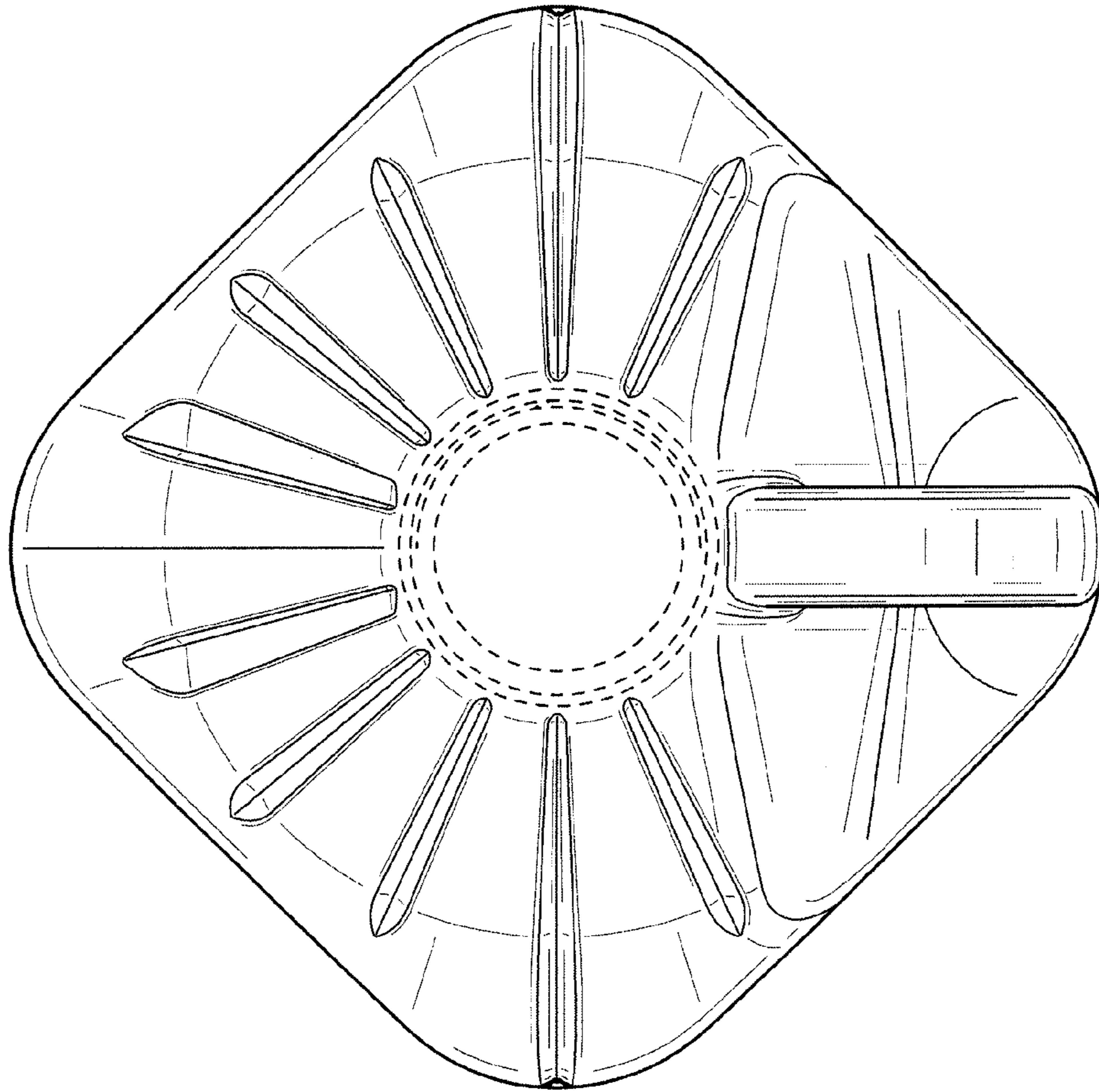


FIG. 6

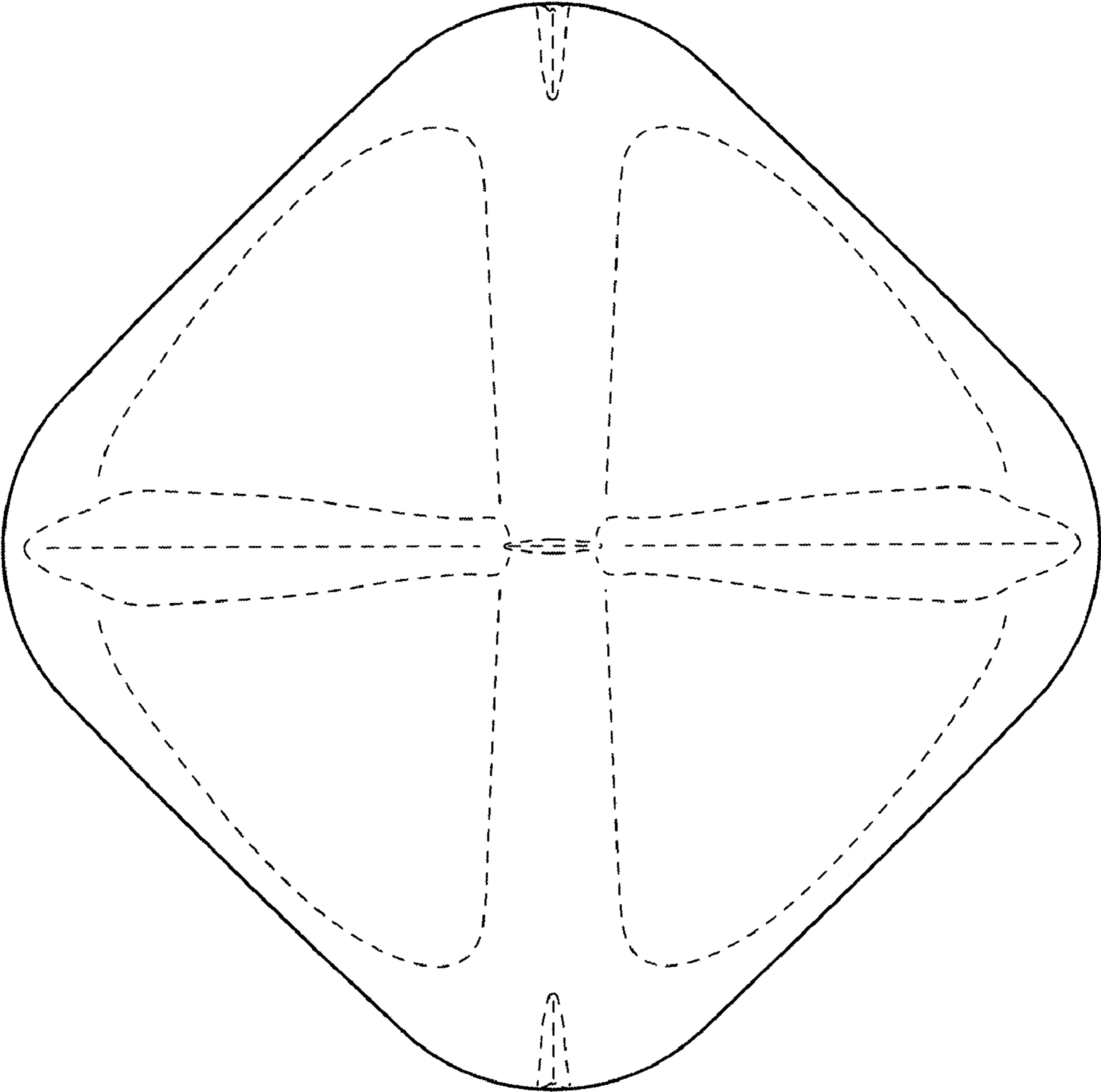


FIG. 7