



US00D669354S

(12) **United States Design Patent**
Davis et al.

(10) **Patent No.:** **US D669,354 S**
(45) **Date of Patent:** **** Oct. 23, 2012**

(54) **BOTTLE CAP**

(75) Inventors: **William John Davis**, Bath (GB); **An De Coninck**, Eppegem (BE); **David James McNeill**, Bath (GB); **Cezary Adam Pieczetowski**, Sint Genesius Rode (BE); **Paul Robert Scott**, Brussels (BE); **Filip Dominique Hubert Vangeel**, Vilvoorde (BE)

(73) Assignee: **The Procter & Gamble Company**, Cincinnati, OH (US)

(**) Term: **14 Years**

(21) Appl. No.: **29/422,670**

(22) Filed: **May 23, 2012**

Related U.S. Application Data

(62) Division of application No. 29/357,950, filed on Mar. 19, 2010.

(30) **Foreign Application Priority Data**

Sep. 21, 2009 (WO) DM/72547

(51) **LOC (9) Cl.** **09-07**

(52) **U.S. Cl.** **D9/454**

(58) **Field of Classification Search** D9/435,
D9/444, 445, 454; D7/391, 392.1, 396.2,
D7/509, 511; D24/193, 197, 199; D23/366;
215/228

See application file for complete search history.

(56) **References Cited**

U.S. PATENT DOCUMENTS

D191,124 S *	8/1961	Barron et al.	D7/540
D205,734 S *	9/1966	Du Pree	D9/529
D214,263 S *	5/1969	McConnell	D9/450
D255,528 S *	6/1980	Seager	D7/392.1
D289,379 S *	4/1987	DeVaughn	D9/454 X
5,139,163 A *	8/1992	Diaz	220/258.2
D410,389 S *	6/1999	Niedospial, Jr.	D9/454
6,409,034 B2	6/2002	Schorner	
D495,060 S *	8/2004	Hellstrom	D24/224
D513,986 S *	1/2006	Healy et al.	D9/445

D548,005 S *	8/2007	Curtin	D7/392
D556,582 S *	12/2007	Heijdenrijk	D9/454 X
7,404,495 B2	7/2008	Keung	
D588,913 S *	3/2009	Bakic	D9/435
D598,755 S *	8/2009	Bull	D9/454
D608,197 S *	1/2010	Gotsmich	D9/449
D611,346 S *	3/2010	Camomile	D9/504
D617,192 S *	6/2010	Casey et al.	D9/453
D619,004 S *	7/2010	Fallat et al.	D9/454
D623,518 S *	9/2010	Camomile	D9/454
D642,918 S *	8/2011	Taylor	D9/453
D642,921 S *	8/2011	Endert	D9/454
D643,288 S *	8/2011	Taylor	D9/453
D660,700 S *	5/2012	MacNeill et al.	D9/445 X

FOREIGN PATENT DOCUMENTS

WO WO 2006/102601 9/2006

OTHER PUBLICATIONS

U.S. Appl. No. 13/150,601, filed Jun. 1, 2011, David William Ingram, et al.

U.S. Appl. No. 61/388,126, filed Sep. 30, 2010, Filip Dominique Hubert Vangeel, et al.

U.S. Appl. No. 13/247,351, filed Sep. 28, 2011, Filip Dominique Hubert Vangeel, et al.

* cited by examiner

Primary Examiner — Carol P Rademaker

(74) *Attorney, Agent, or Firm* — Melissa G Krasovec; Leonard W Lewis

(57) **CLAIM**

The ornamental design for a bottle cap, as shown and described.

DESCRIPTION

FIG. 1 is a top, front, and left side isometric view of the bottle cap, embodying the new design;

FIG. 2 is a left side elevational view thereof;

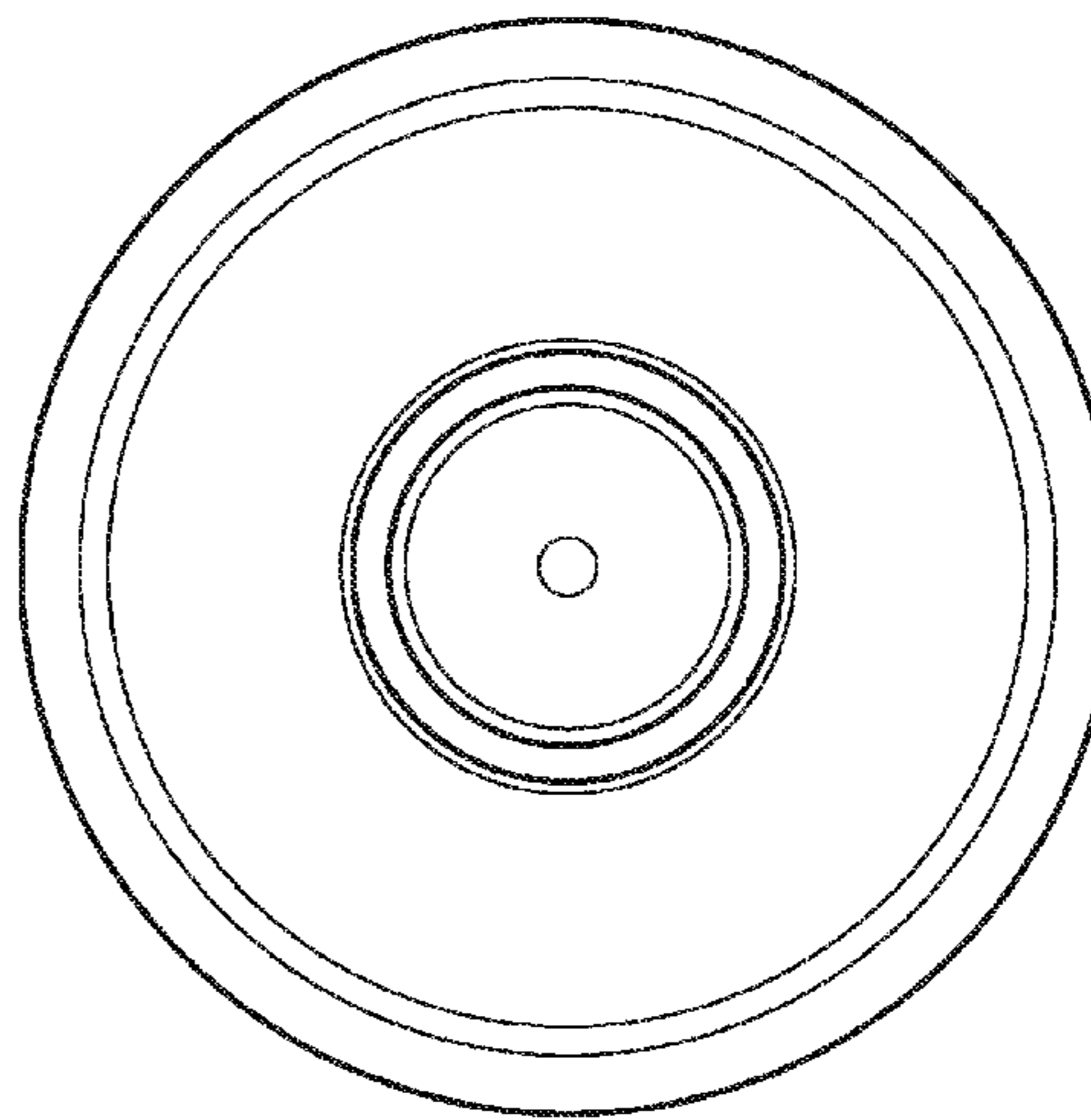
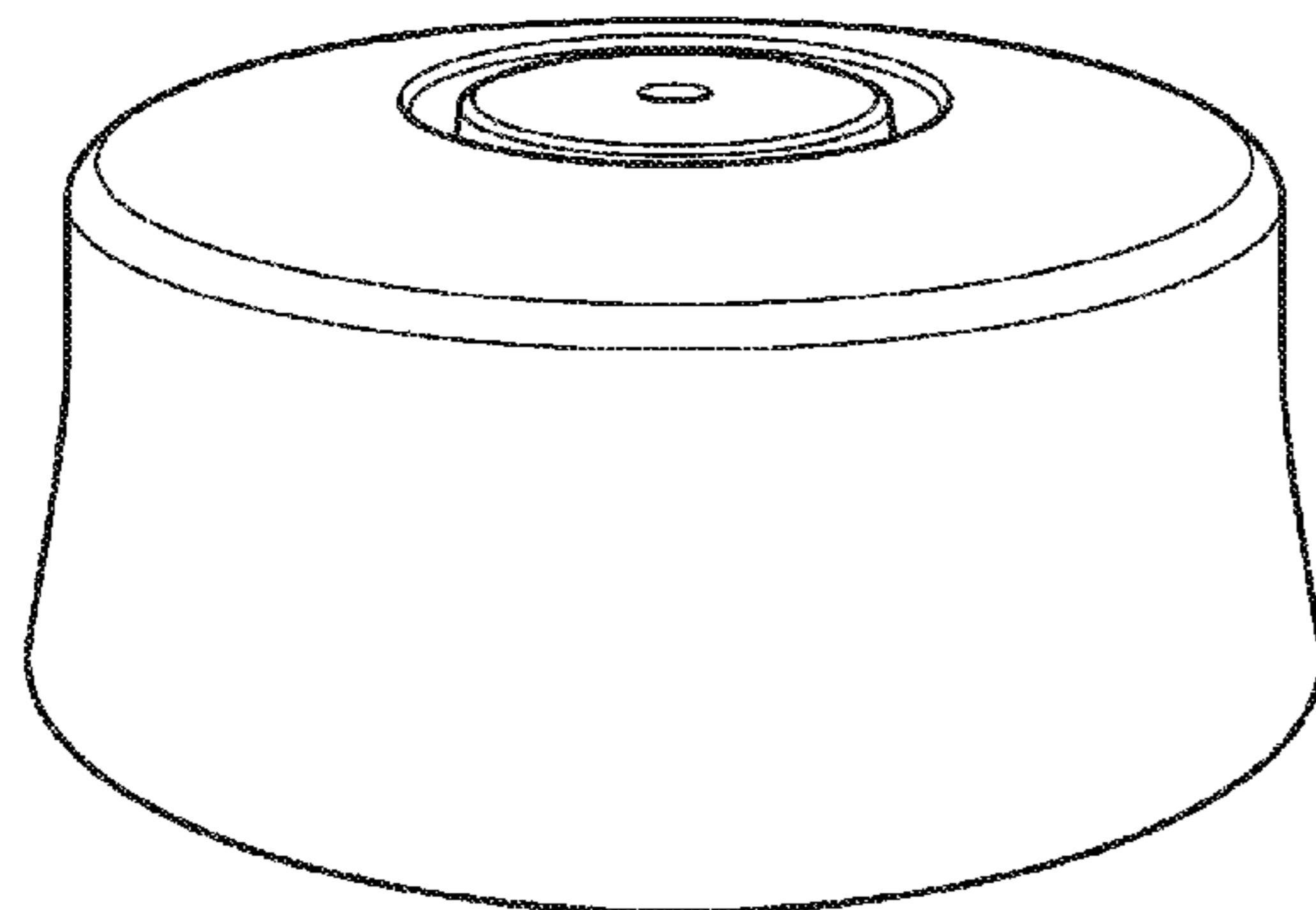
FIG. 3 is a right side elevational view thereof;

FIG. 4 is a front elevational view thereof;

FIG. 5 is a back elevational view thereof; and,

FIG. 6 is a top plan view thereof.

1 Claim, 2 Drawing Sheets



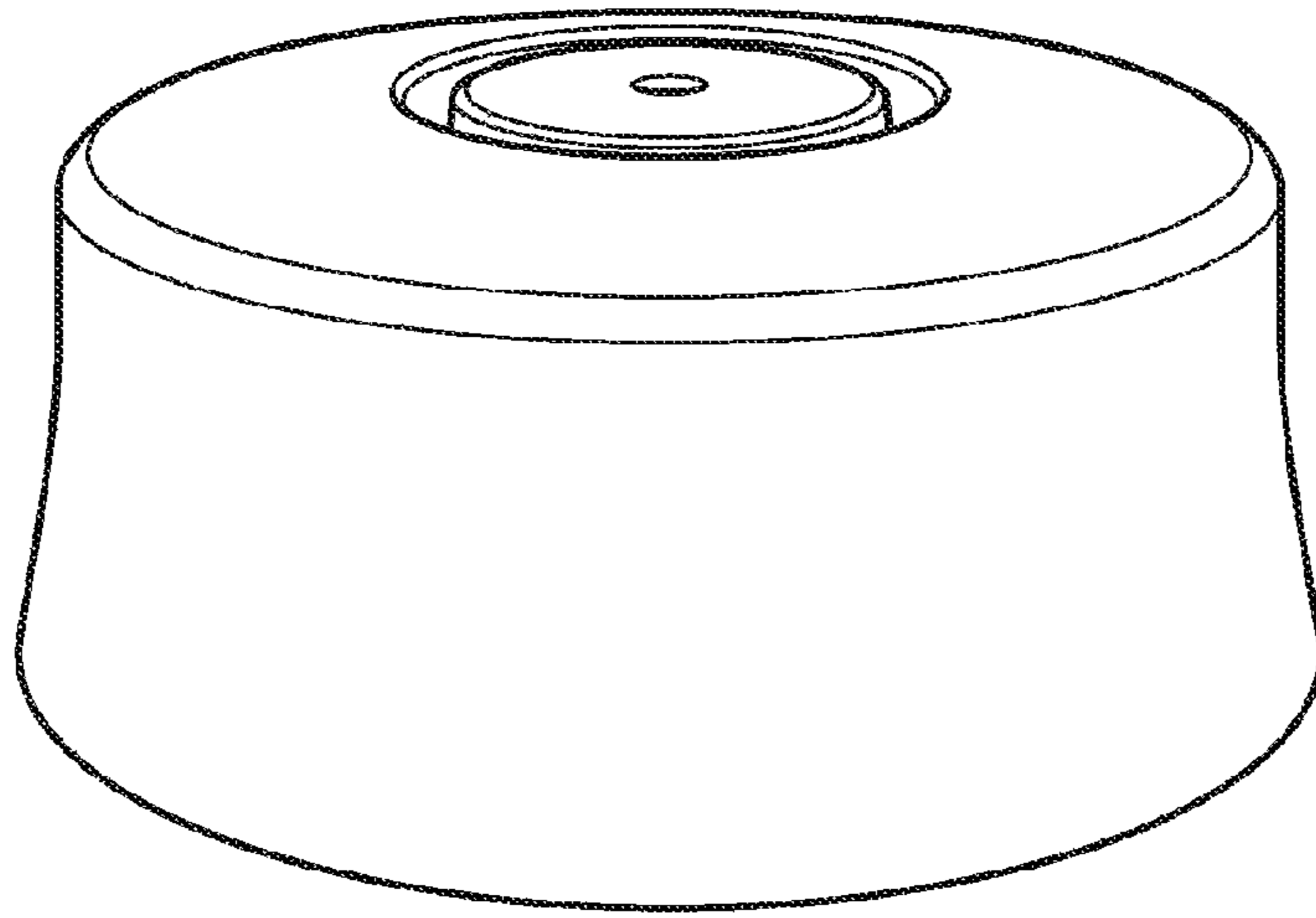


FIG. 1

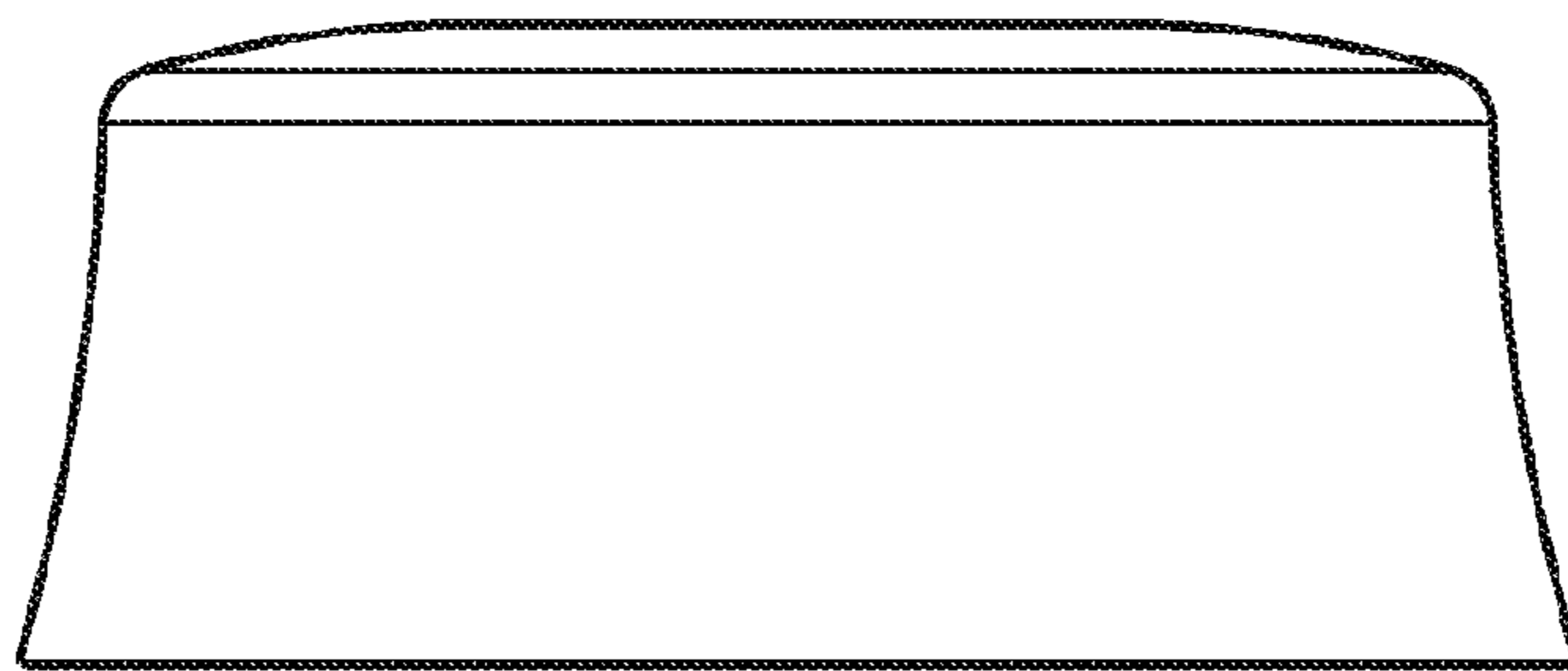


FIG. 2

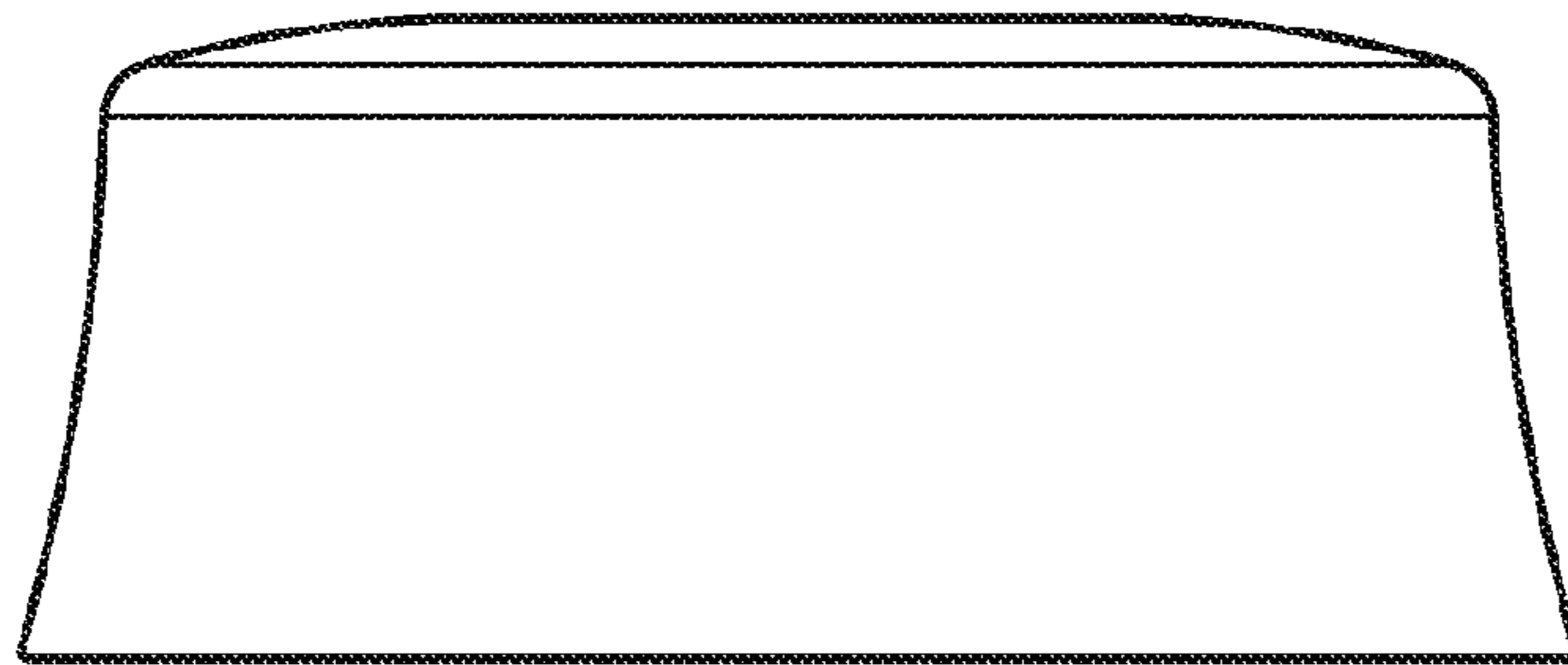


FIG. 3

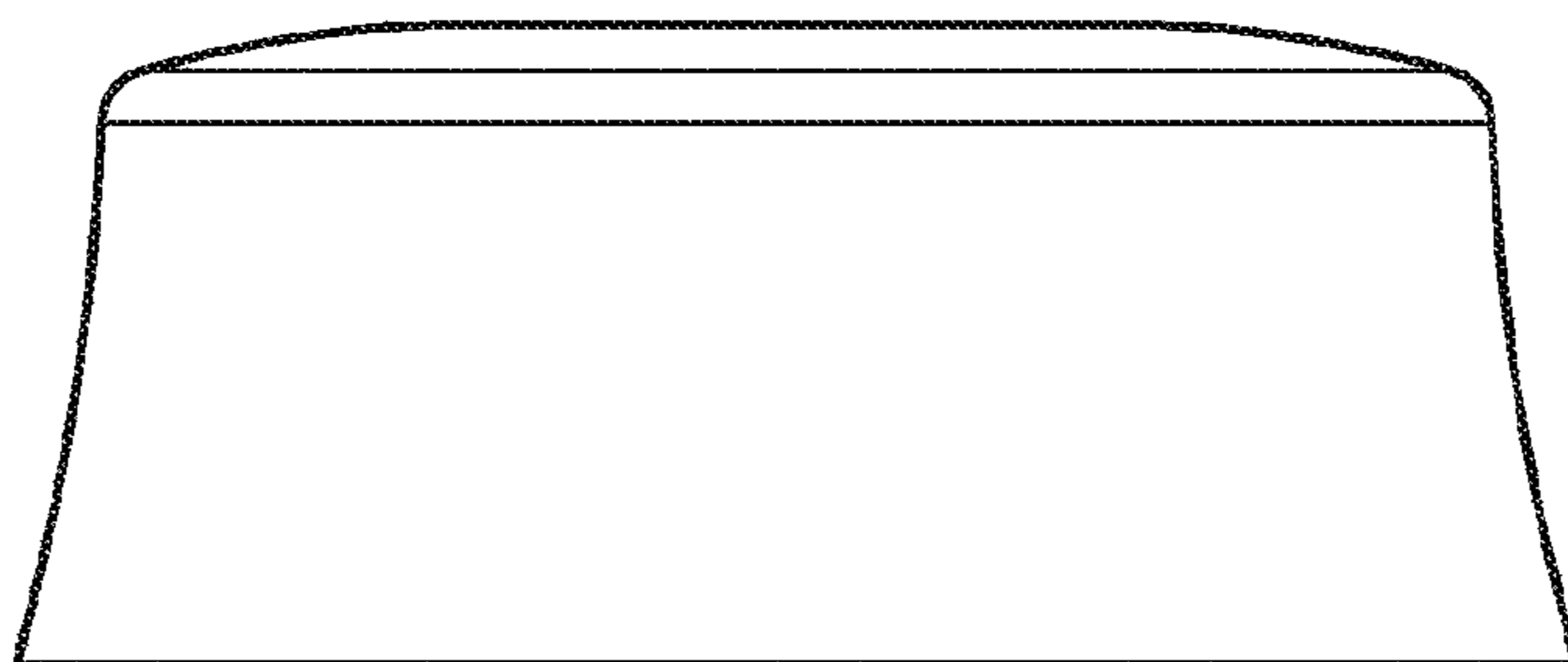


FIG. 4

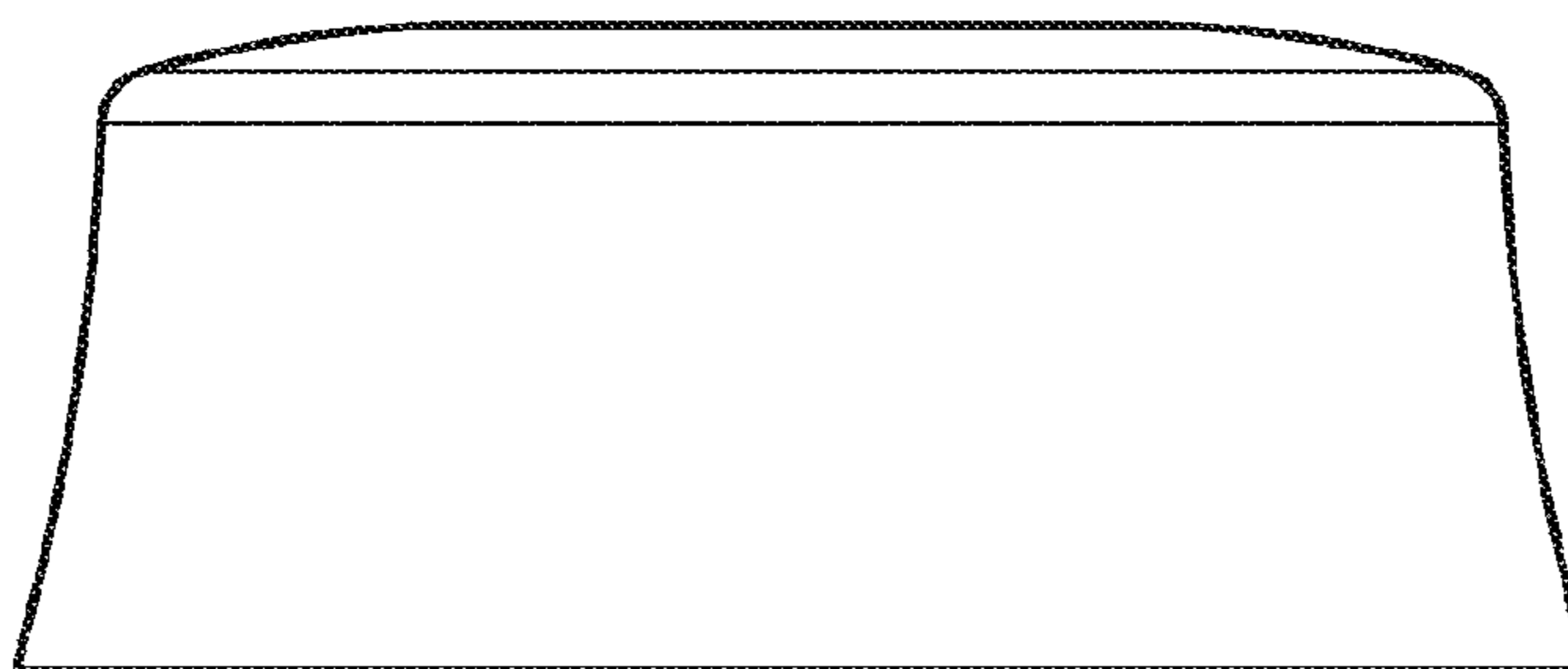


FIG. 5

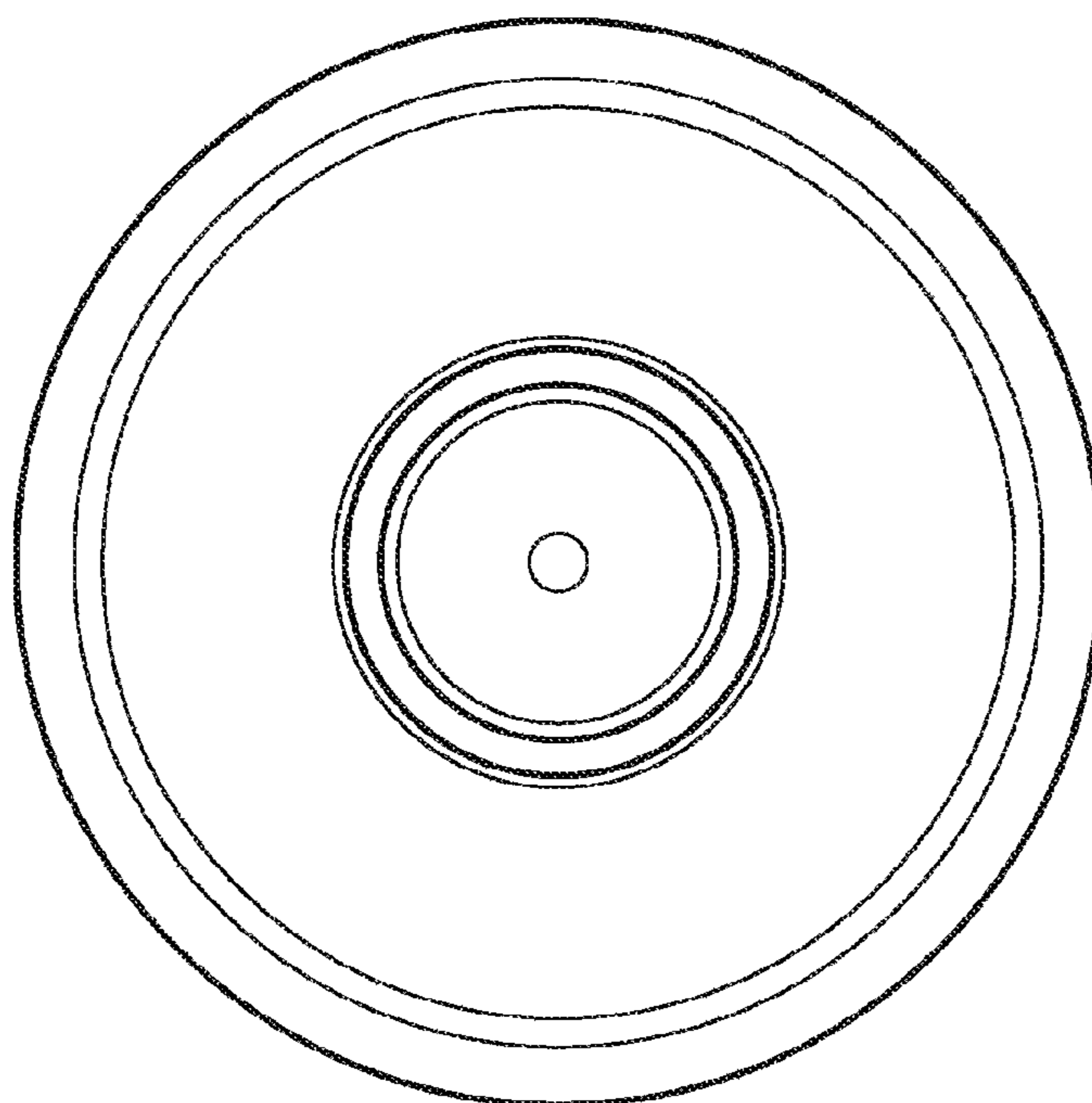


FIG. 6