



US00D669351S

(12) **United States Design Patent**
Au

(10) **Patent No.:** **US D669,351 S**

(45) **Date of Patent:** **** Oct. 23, 2012**

(54) **BUILDING BLOCK SHAPED WATCH
DISPLAY BOX**

(76) Inventor: **Kinsen Ka Fai Au**, Tuen Mun (HK)

(**) Term: **14 Years**

(21) Appl. No.: **29/374,293**

(22) Filed: **Jul. 25, 2011**

(51) **LOC (9) Cl.** **09-03**

(52) **U.S. Cl.** **D9/423; D9/418**

(58) **Field of Classification Search** D9/414,
D9/415, 420, 421, 423, 425, 430, 432; D3/273-294;
206/472, 387.13, 308.7; D6/632, 634; D24/121
See application file for complete search history.

(56) **References Cited**

U.S. PATENT DOCUMENTS

D254,720 S *	4/1980	Schuander	D9/423
D267,778 S *	2/1983	Nagata	D9/424
D299,474 S *	1/1989	Klodt	D19/76
D330,853 S *	11/1992	Koytuk	D9/421
D387,982 S *	12/1997	Kaplan	D9/423
D394,820 S *	6/1998	Sniadach et al.	D10/106.2
D401,146 S *	11/1998	Srinual	D9/423
D401,850 S *	12/1998	Srinual	D9/423
D408,145 S *	4/1999	Au	D3/294
D493,107 S *	7/2004	Bergne	D9/432
D543,453 S *	5/2007	Fu et al.	D3/302

D606,857 S *	12/2009	Stewart	D9/432
D606,859 S *	12/2009	Stewart	D9/432
D623,512 S *	9/2010	Stewart	D9/423

* cited by examiner

Primary Examiner — Thomas Johannes

(74) *Attorney, Agent, or Firm* — Raymond Y. Chan; David and Raymond Patent Firm

(57) **CLAIM**

The ornamental design for a building block shaped watch display box, as shown and described.

DESCRIPTION

FIG. 1 is a front perspective view of building block shaped watch display box showing my new design.

FIG. 2 is a front view thereof.

FIG. 3 is a rear view thereof.

FIG. 4 is a left end view thereof.

FIG. 5 is a right end view thereof.

FIG. 6 is a top view thereof.

FIG. 7 is a bottom view thereof.

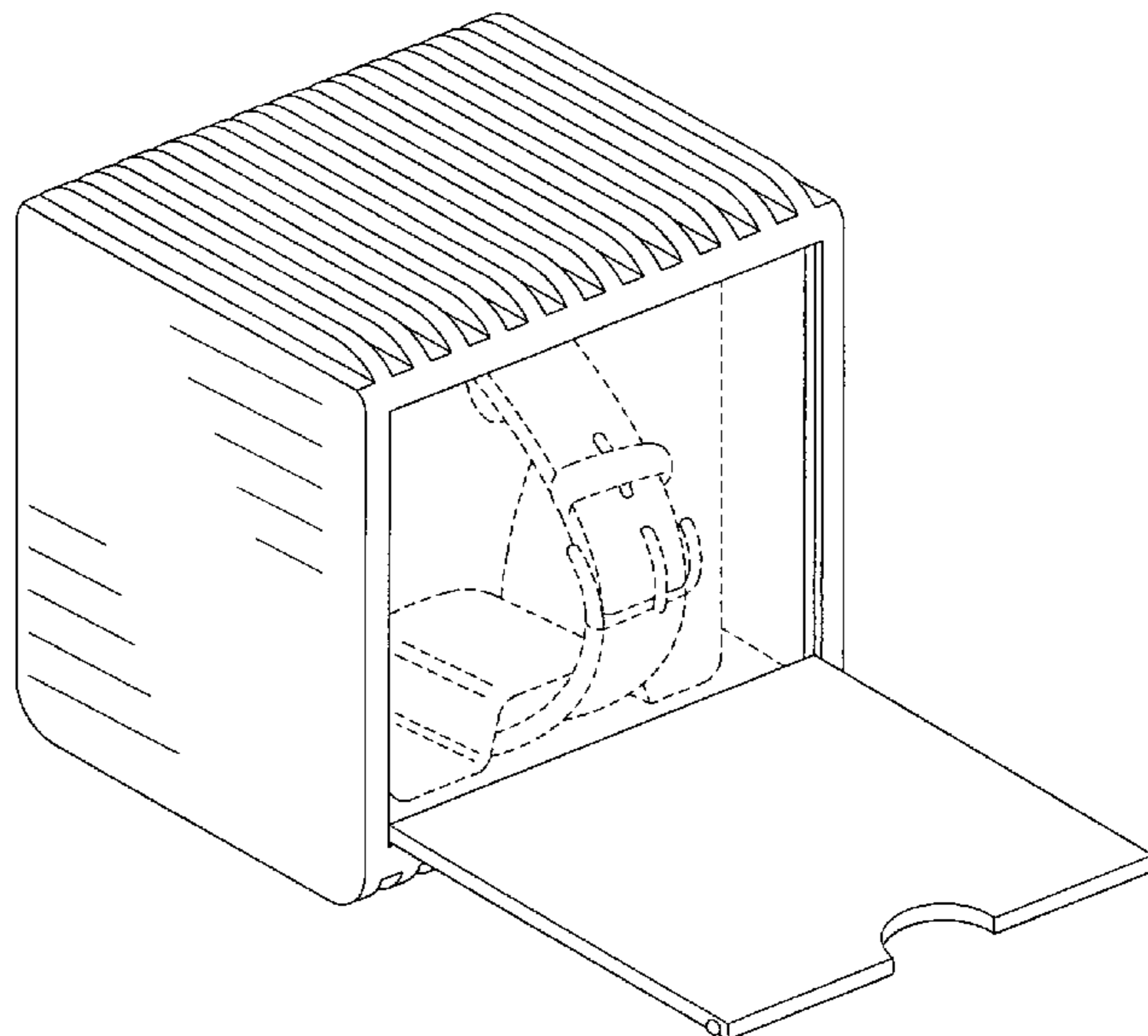
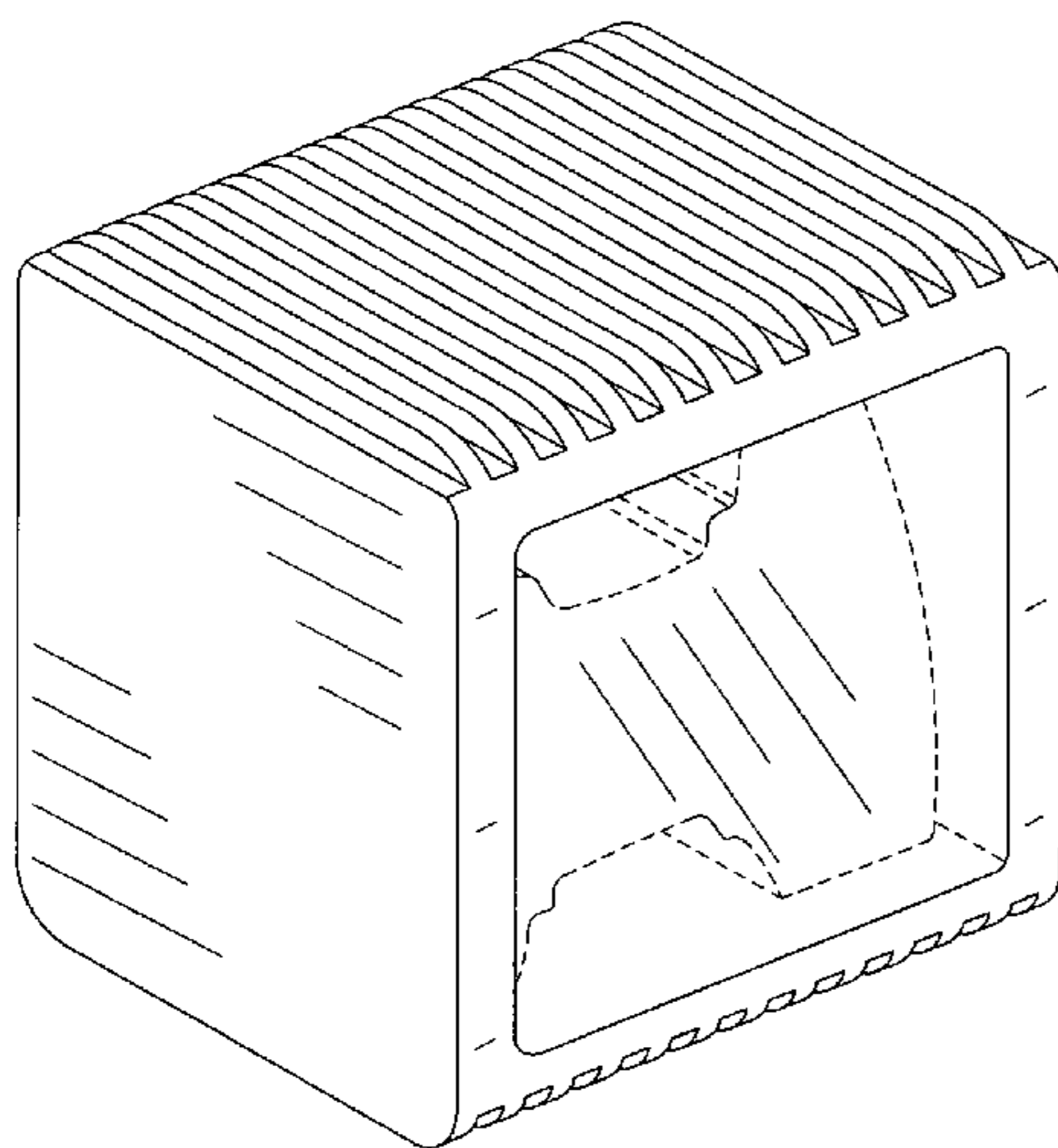
FIG. 8 is a front perspective view thereof.

FIG. 9 is a rear perspective view thereof; and,

FIG. 10 is a rear perspective view thereof.

The broken line portion of the figure drawings is included to show unclaimed subject matter only and forms no part of the claimed design.

1 Claim, 10 Drawing Sheets



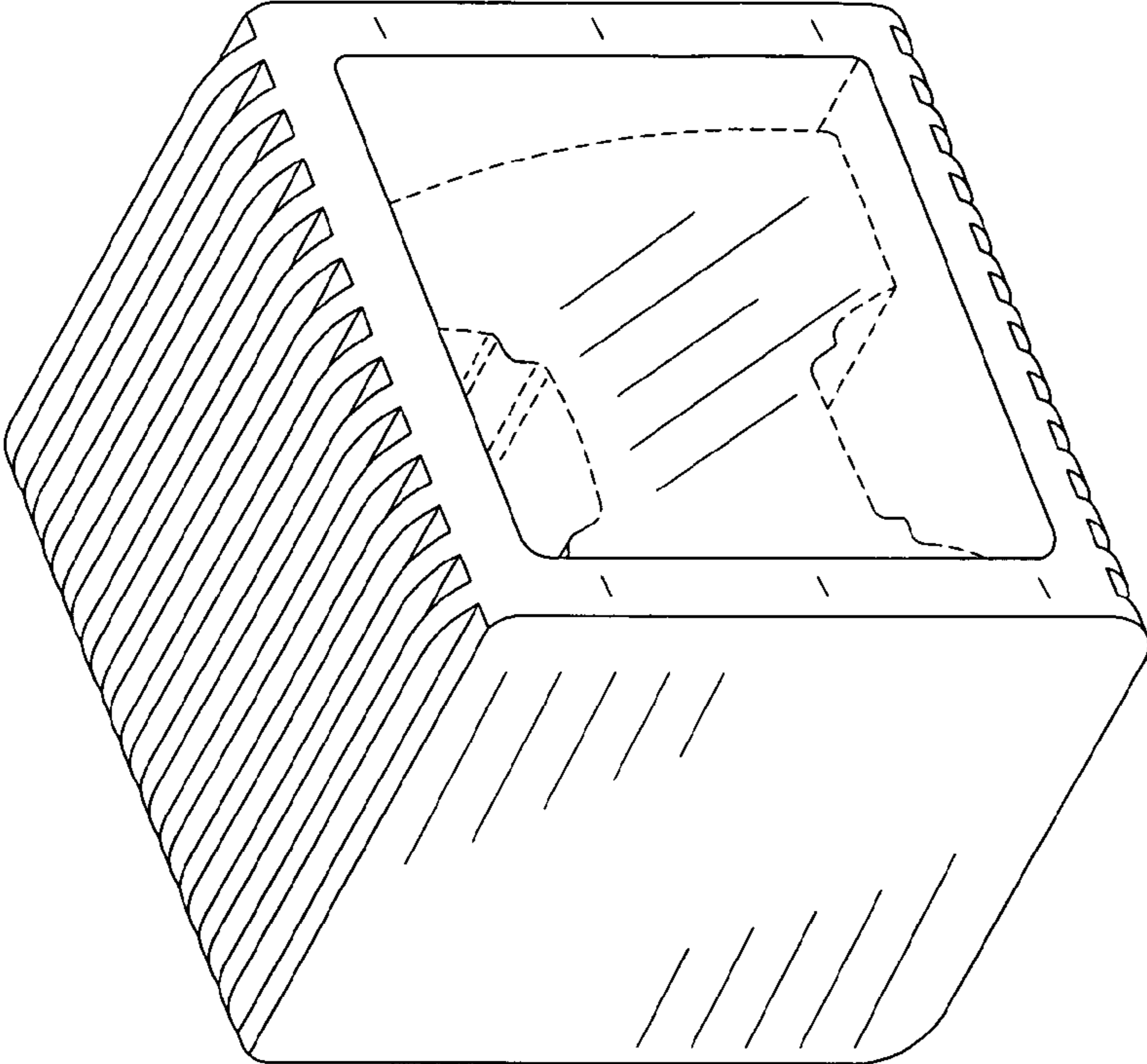


FIG.1

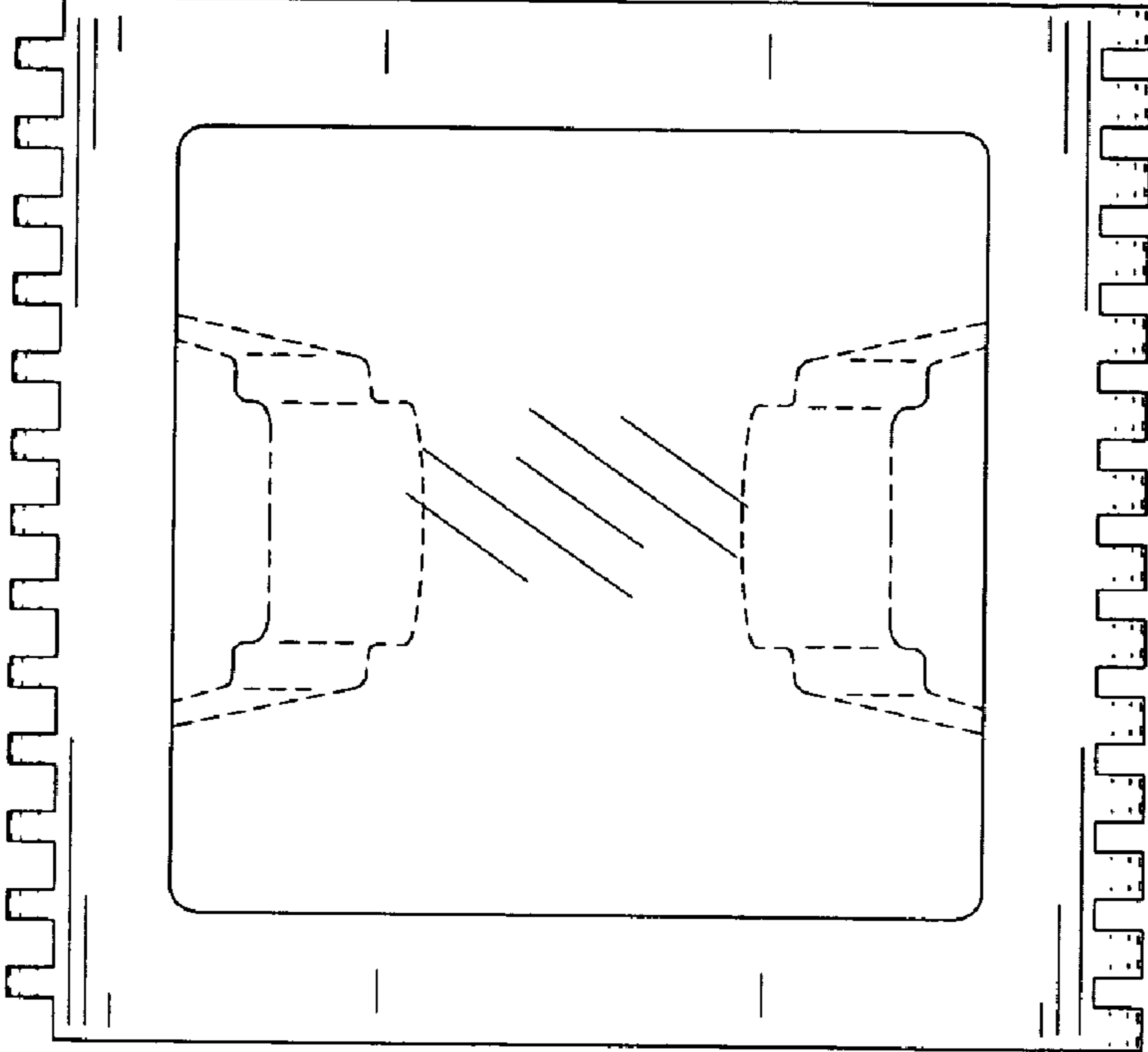


FIG.2

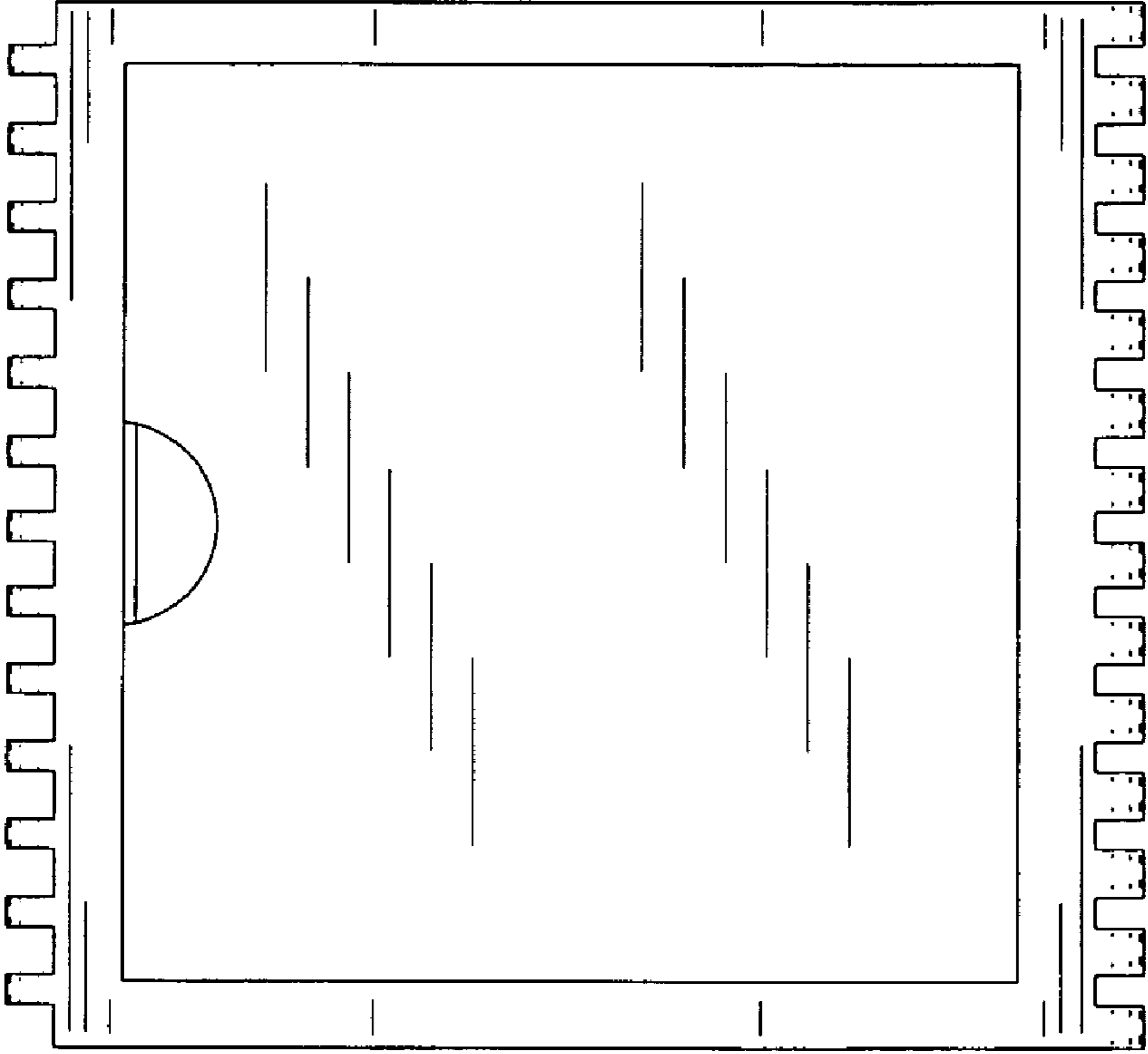


FIG. 3

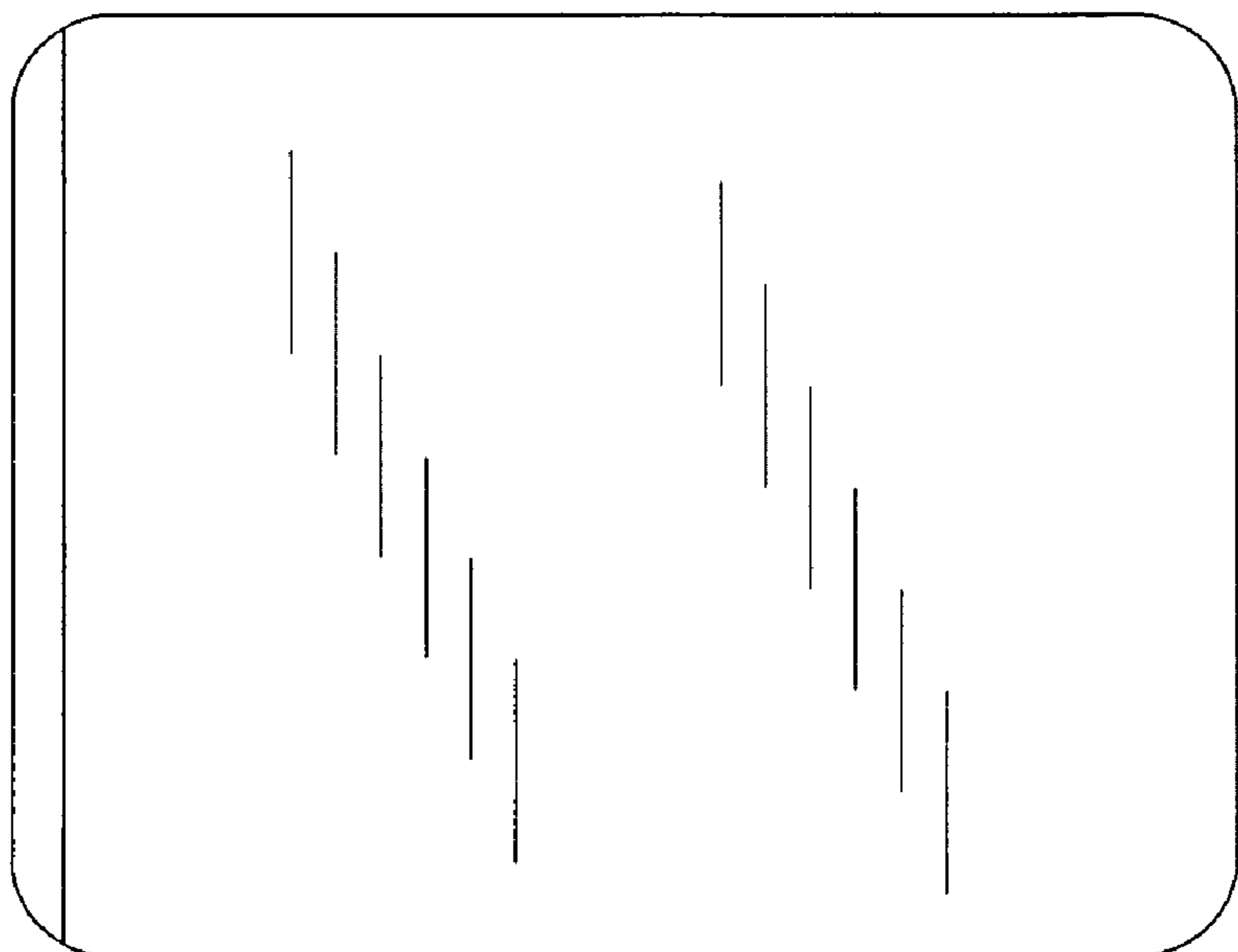


FIG. 4

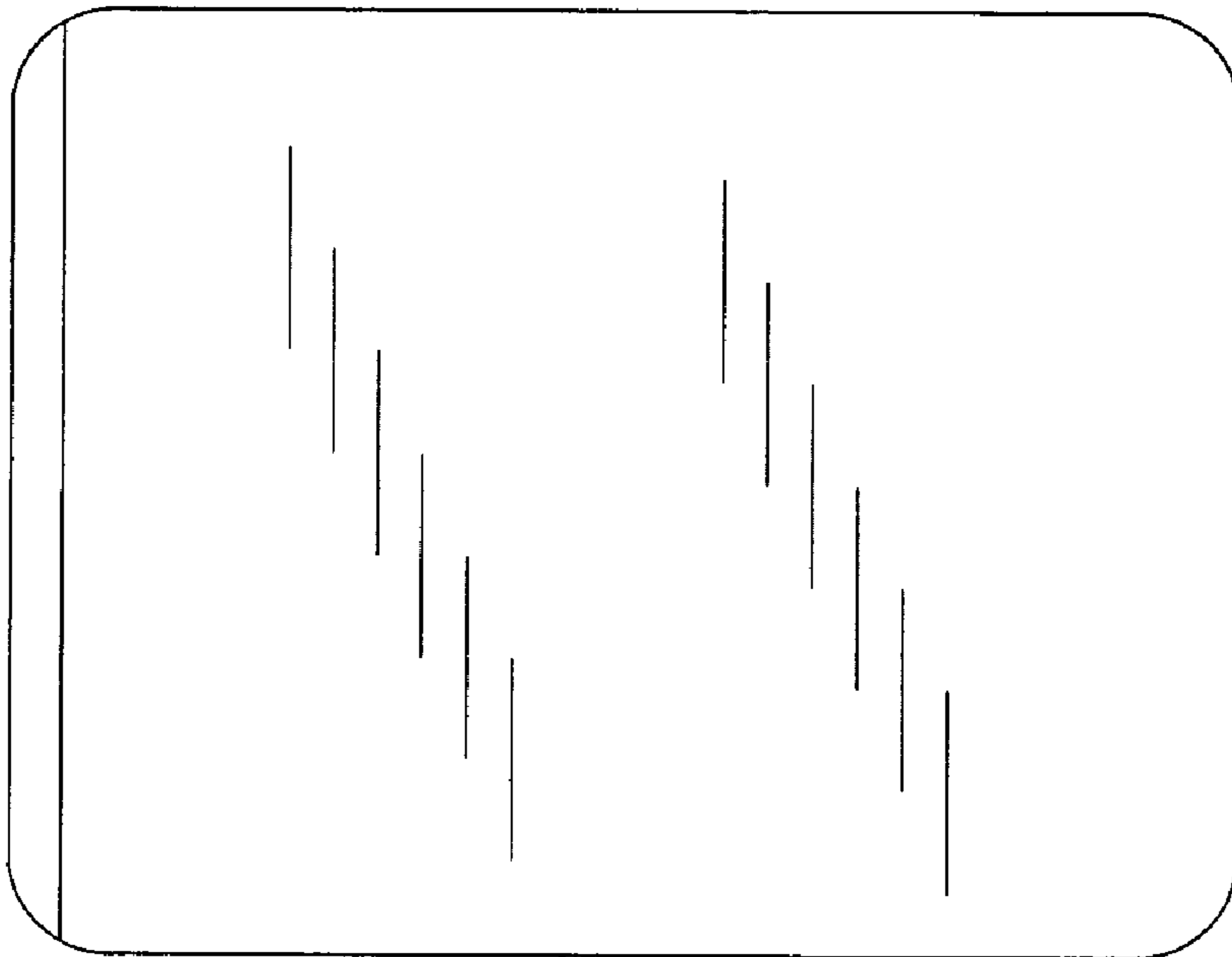


FIG. 5

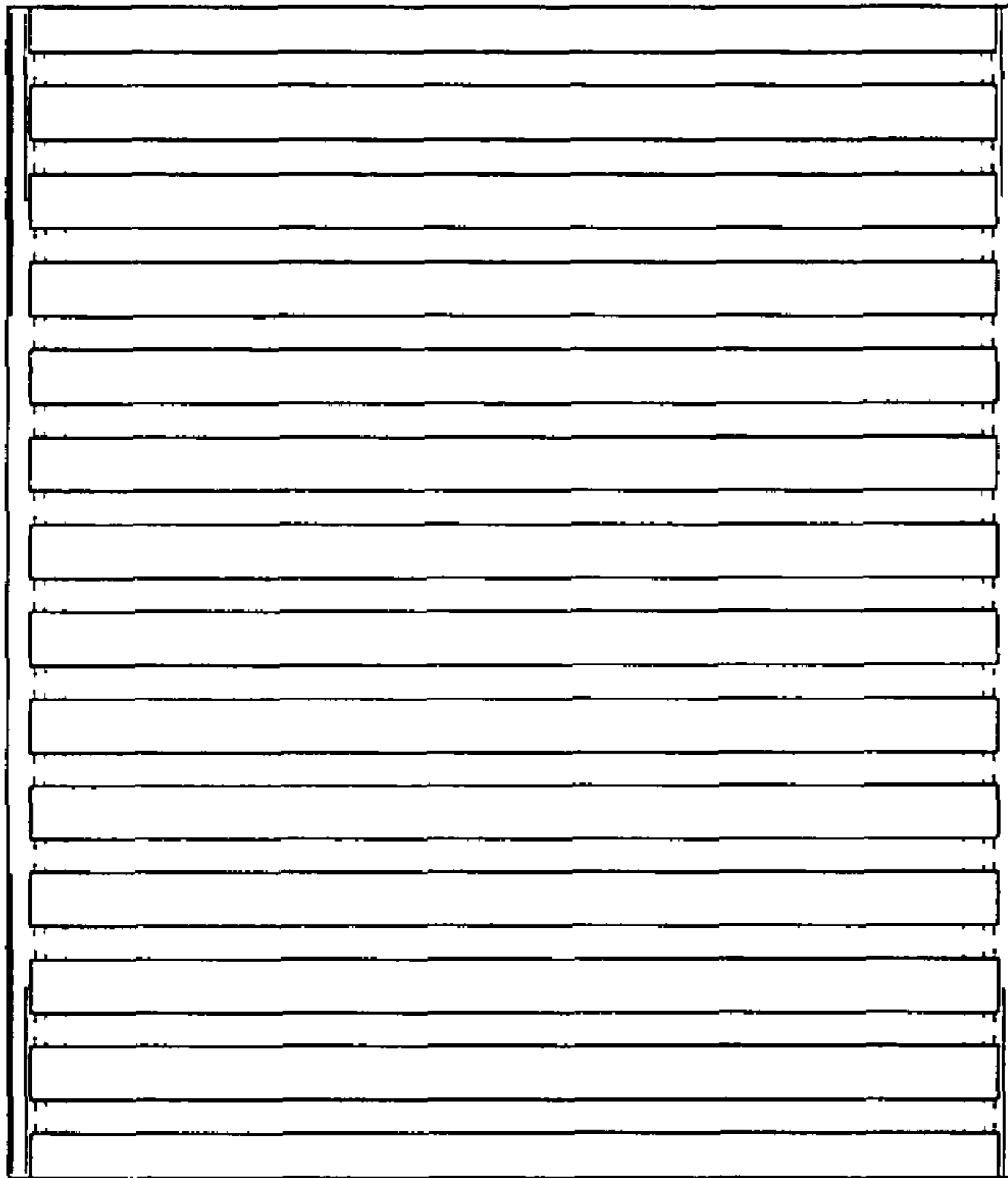


FIG. 6

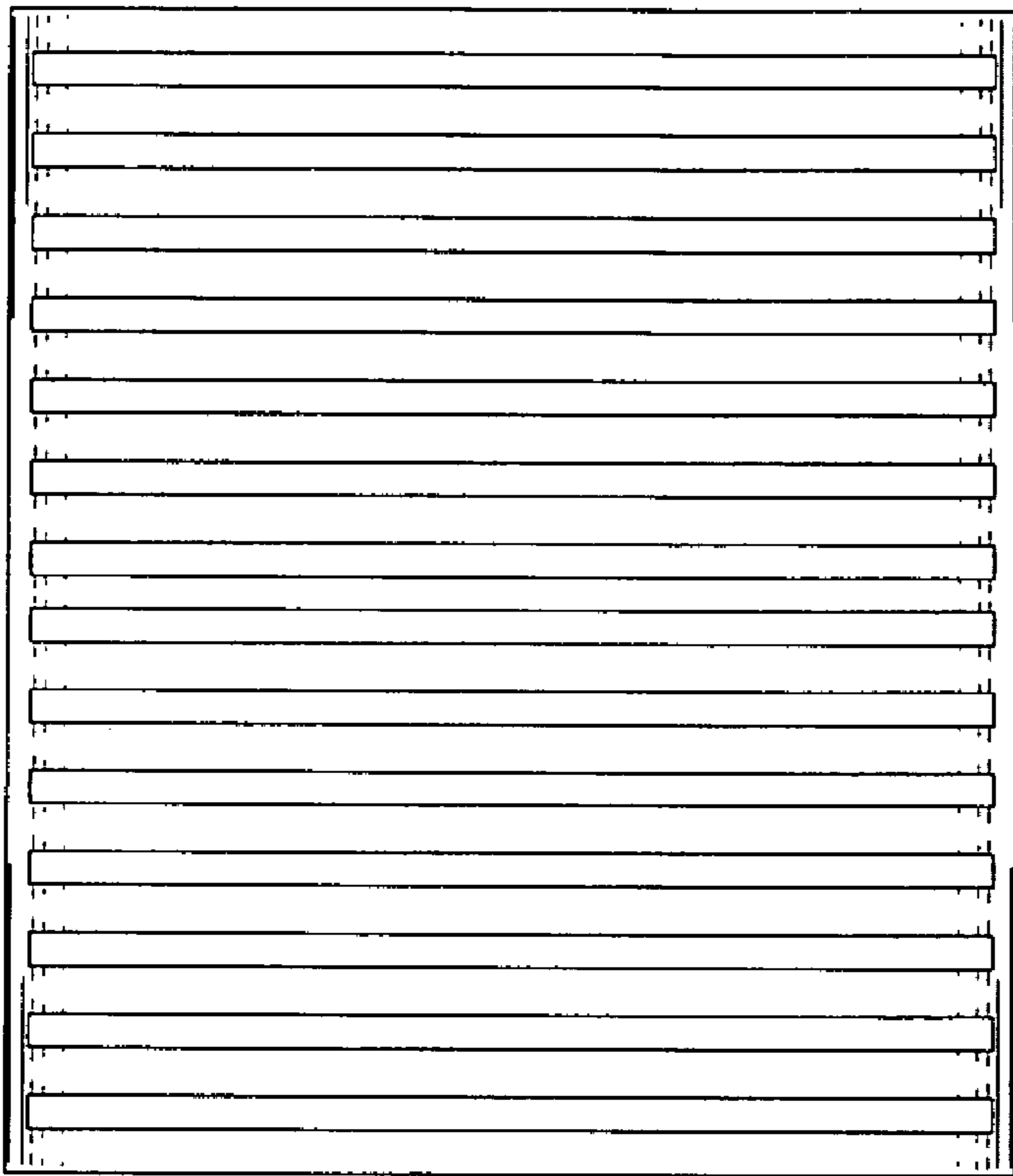


FIG. 7

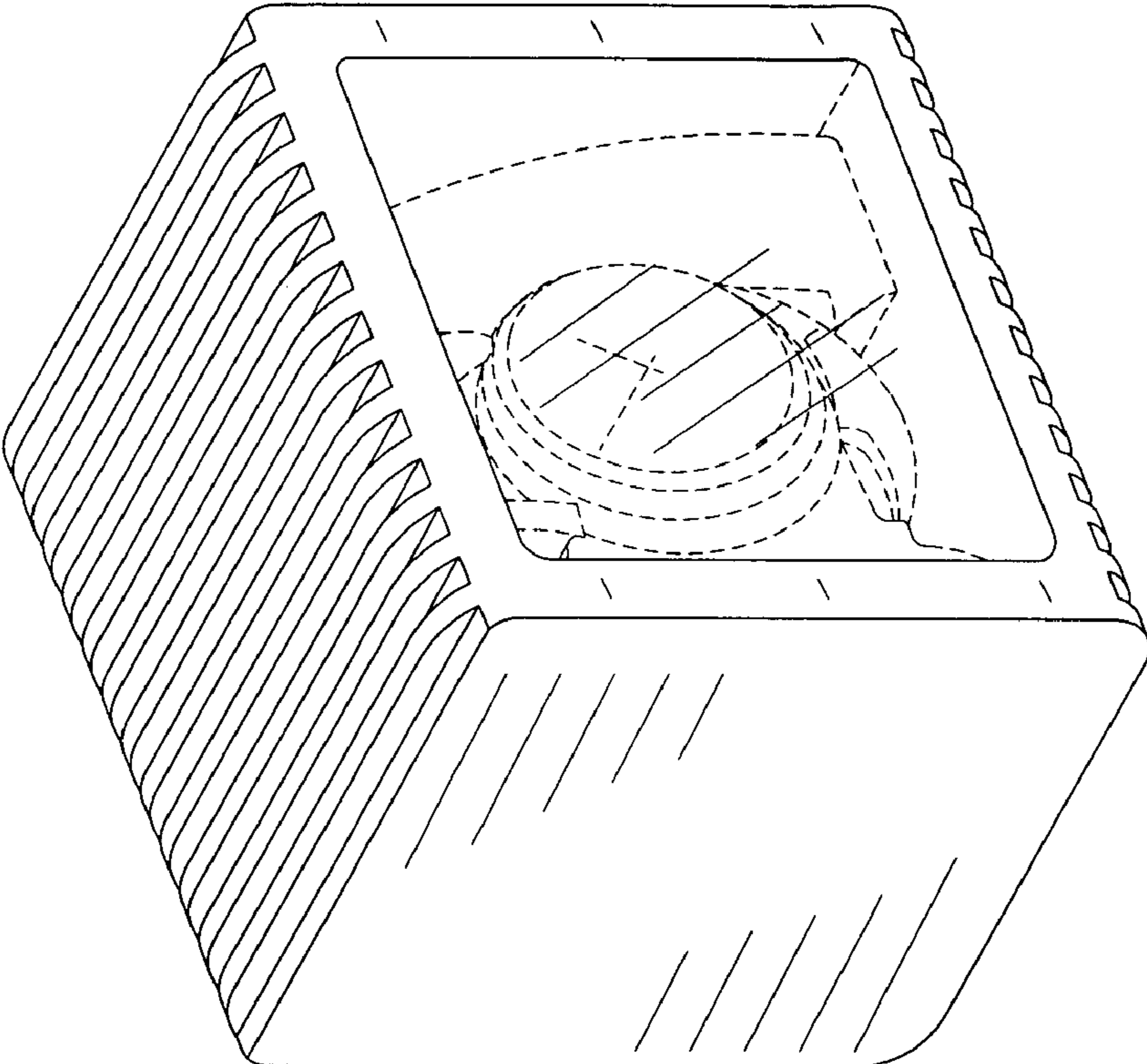


FIG. 8

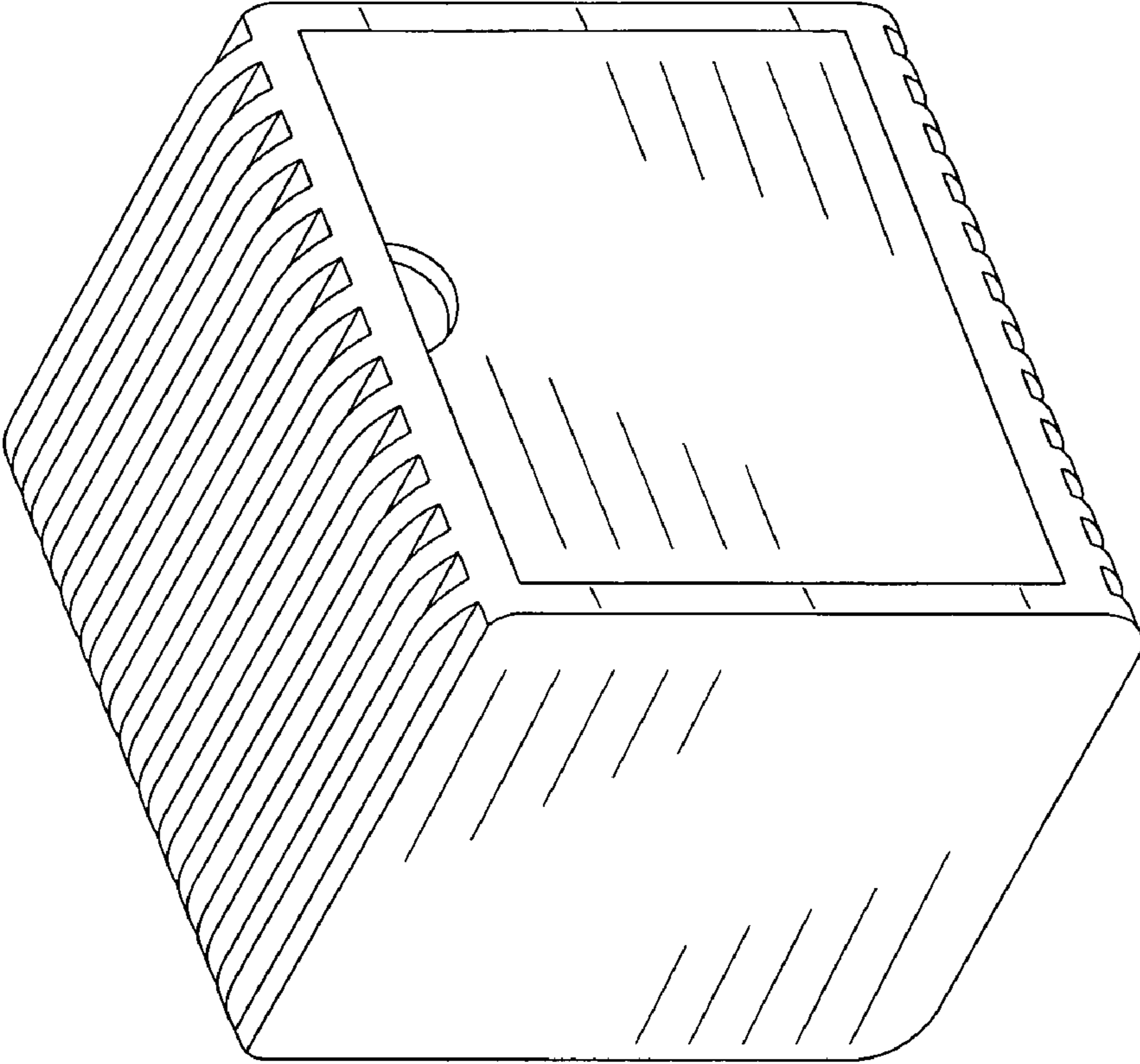


FIG. 9

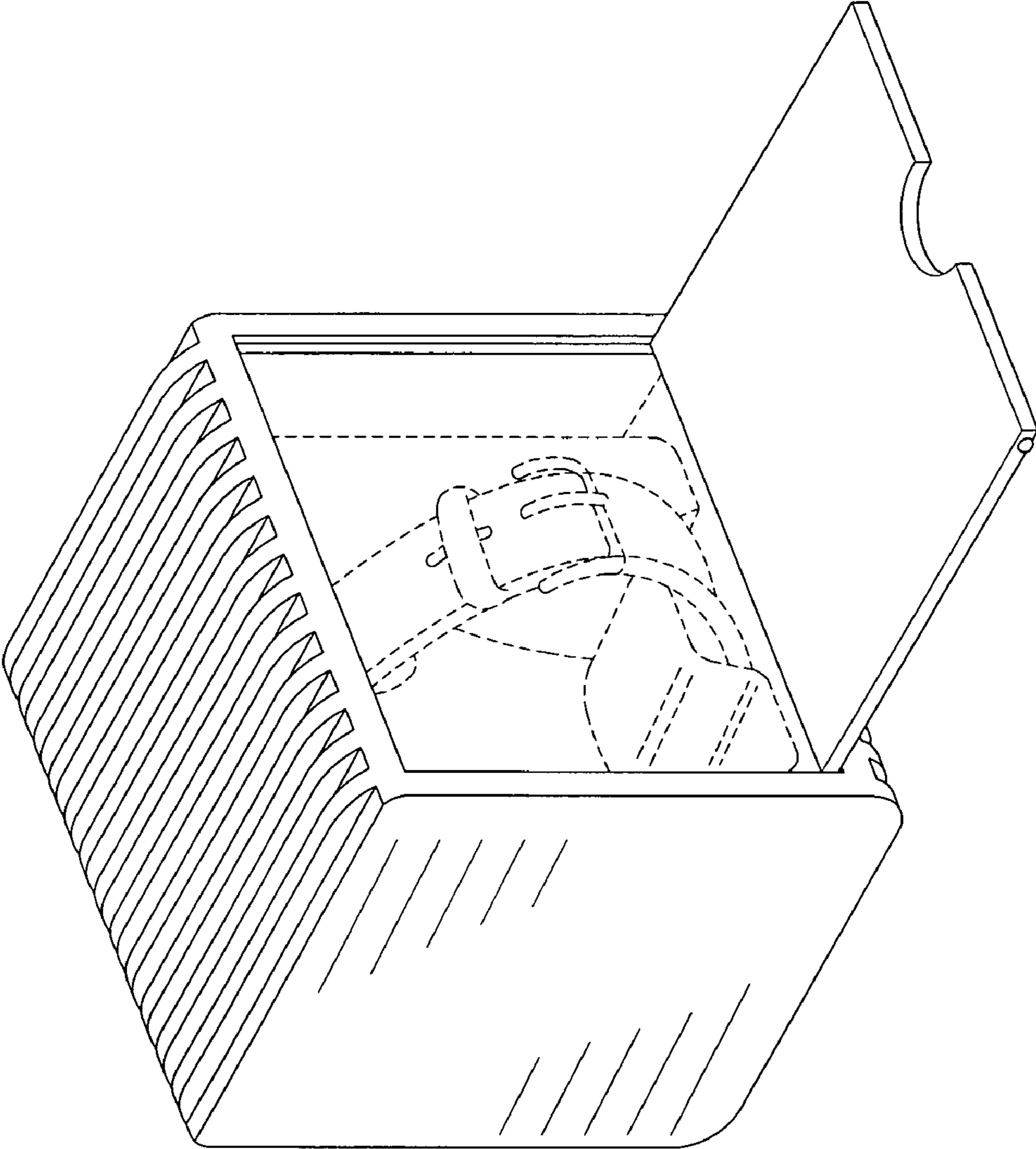


FIG.10