



US00D669347S

(12) **United States Design Patent**
Anderson et al.

(10) **Patent No.:** **US D669,347 S**
(45) **Date of Patent:** **** Oct. 23, 2012**

(54) **PERSONAL CARE PRODUCT PACKAGE**

(75) Inventors: **James Joseph Anderson**, Boston, MA (US); **Clifford James Bowler**, South Croydon (GB)

(73) Assignee: **The Gillette Company**, Boston, MA (US)

(**) Term: **14 Years**

(21) Appl. No.: **29/424,949**

(22) Filed: **Jun. 18, 2012**

2,111,884 A	3/1938	Cahaney	
2,584,379 A	2/1952	Chmielewski	
2,941,664 A	6/1960	Palmer	
3,047,143 A	7/1962	Voigt	
3,307,693 A	3/1967	Bittner	
D210,323 S	2/1968	Hurley	
3,605,374 A	9/1971	Mueller et al.	
3,623,650 A	11/1971	Watts	
3,800,998 A *	4/1974	Gask	229/406
D232,348 S *	8/1974	Cloud	D9/415
RE29,185 E	4/1977	Tolaas	
D264,791 S	6/1982	Conti	
4,415,084 A	11/1983	Hauser et al.	
4,911,291 A	3/1990	Iwata et al.	
D312,423 S	11/1990	Orlinsky et al.	
D317,261 S	6/1991	Brown et al.	

(Continued)

Related U.S. Application Data

(62) Division of application No. 29/377,940, filed on Oct. 28, 2010.

(51) **LOC (9) Cl.** **09-03**

(52) **U.S. Cl.** **D9/415**

(58) **Field of Classification Search** D9/414-435, D9/600-681, 715, 721, 722, 457, 499; 206/461-471, 206/235, 581, 385, 806, 822, 823; 229/100, 229/102.5, 107, 108, 111, 112, 115, 116, 229/116.1, 117.09, 117.12, 117.18, 117.23, 229/117.24, 182.1, 922

See application file for complete search history.

FOREIGN PATENT DOCUMENTS

EM 000224241-0001 4/2005

(Continued)

Primary Examiner — Catherine Tuttle

(74) *Attorney, Agent, or Firm* — John M. Lipchitz; Kevin C. Johnson; Steven W. Miller

(57) **CLAIM**

The ornamental design for a personal care product package, as shown and described.

DESCRIPTION

FIG. 1 is a perspective view of the personal care product package showing our new design; FIG. 2 is a front view thereof; FIG. 3 is a rear view thereof; FIG. 4 is a right view thereof; FIG. 5 is a left view thereof; FIG. 6 is a top view thereof; and, FIG. 7 is a bottom view thereof.

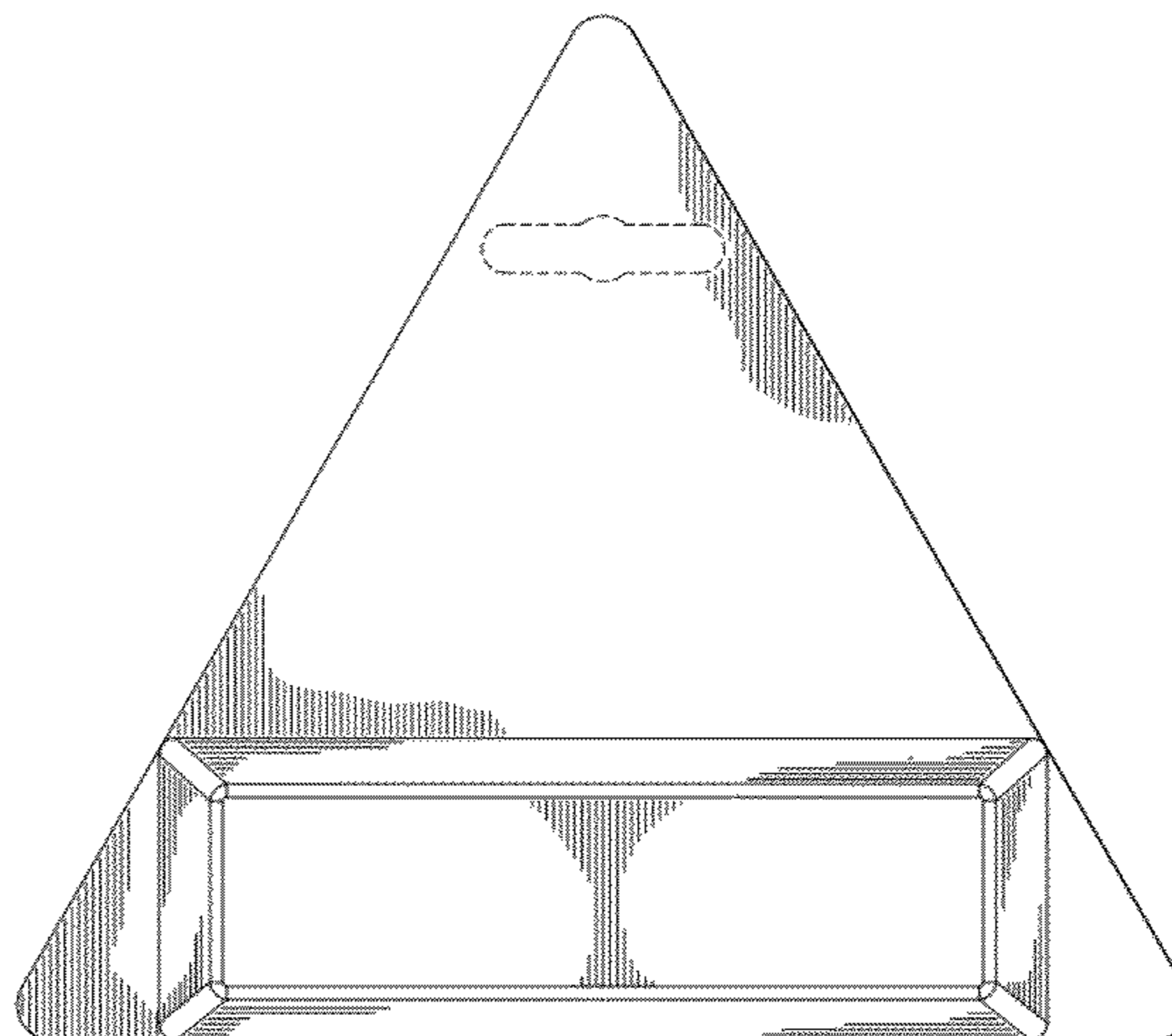
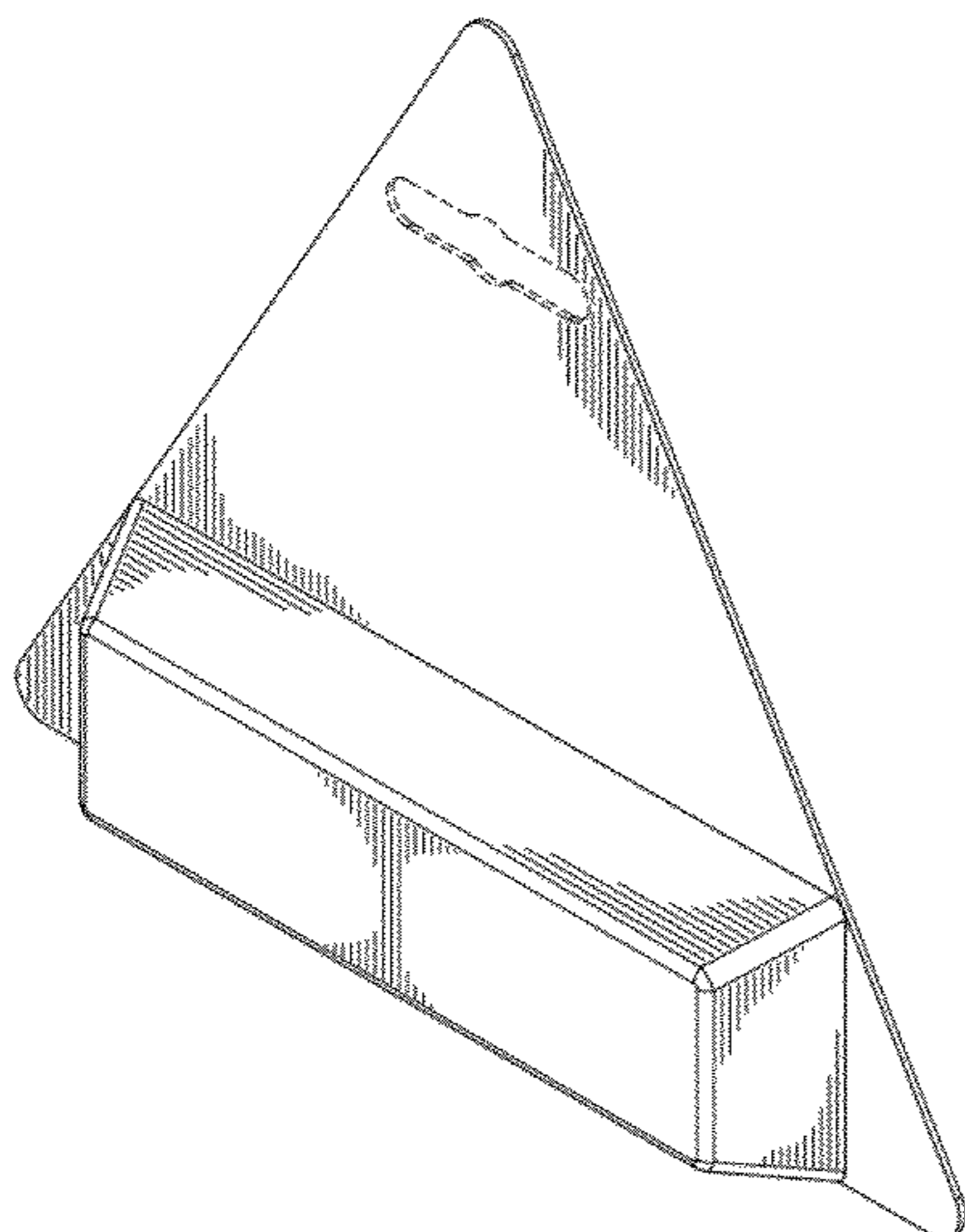
The broken lines are included for the purpose of illustrating a portion of the personal care product package that forms no part of the claimed design.

1 Claim, 5 Drawing Sheets

(56) **References Cited**

U.S. PATENT DOCUMENTS

846,683 A	3/1907	Moore et al.
1,353,689 A	9/1920	Wilkie
D57,707 S	4/1921	Morrison
1,566,964 A	12/1925	Higgins
1,673,176 A	6/1928	Benner
1,716,975 A	6/1929	Phillips
D82,181 S	9/1930	Sawin
1,814,561 A	7/1931	Krumm
1,840,053 A	1/1932	Prince
1,842,542 A	1/1932	Dailey
D92,775 S	7/1934	Sekine
2,003,600 A	6/1935	Lowenfels
2,026,626 A	1/1936	Gilfillan



US D669,347 S

Page 2

U.S. PATENT DOCUMENTS

5,209,354 A 5/1993 Thornhill et al.
5,213,255 A 5/1993 Cote
D339,013 S 9/1993 Wright
D340,861 S 11/1993 Abelson
5,375,713 A 12/1994 Horvat et al.
D356,033 S 3/1995 Horvat et al.
5,425,499 A 6/1995 Pfeiffer
D366,284 S 1/1996 Binkley
5,558,224 A 9/1996 Fogle
5,566,831 A 10/1996 Swenson
D376,501 S 12/1996 Spaseska
D376,758 S 12/1996 Bradfield
5,651,481 A 7/1997 Jensen
D416,484 S * 11/1999 Voden D9/415
D418,412 S 1/2000 Komatsu
D431,189 S 9/2000 Komatsu
D439,838 S 4/2001 Sagel et al.
6,360,941 B1 3/2002 Larsson
6,443,305 B1 9/2002 Stanford et al.
D463,976 S 10/2002 Sipinen et al.
D465,155 S 11/2002 Weinstein et al.

D471,451 S 3/2003 Haderler
6,592,023 B2 7/2003 Li Vigni et al.
D493,913 S 8/2004 Kwok
D494,859 S 8/2004 Keberlein
D505,164 S 5/2005 McCabe
D507,375 S 7/2005 Lin
6,926,196 B2 8/2005 Testerman et al.
D516,419 S 3/2006 Kellar et al.
D534,022 S 12/2006 Sab
D534,387 S 1/2007 Sab
D538,357 S 3/2007 Salmon
D591,172 S 4/2009 Keberlein et al.
D591,618 S 5/2009 Keberlein et al.
D620,794 S 8/2010 Kohno
2001/0035368 A1 11/2001 Carr

FOREIGN PATENT DOCUMENTS

EM 000454335-0001 2/2006
EM 000416672-0001 1/2008
EM 001025514-0007 11/2008
EM 001642661-0003 12/2009

* cited by examiner

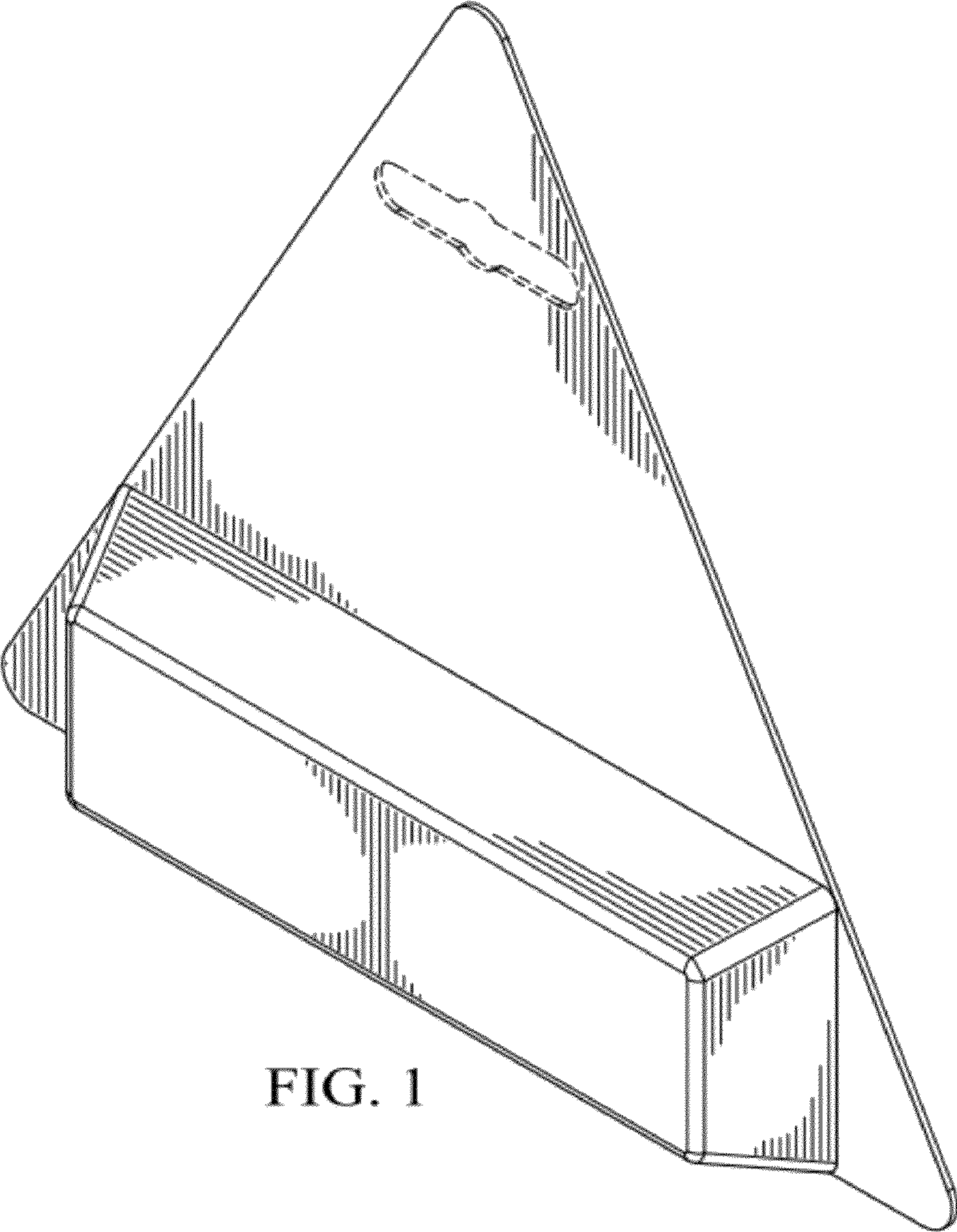


FIG. 1

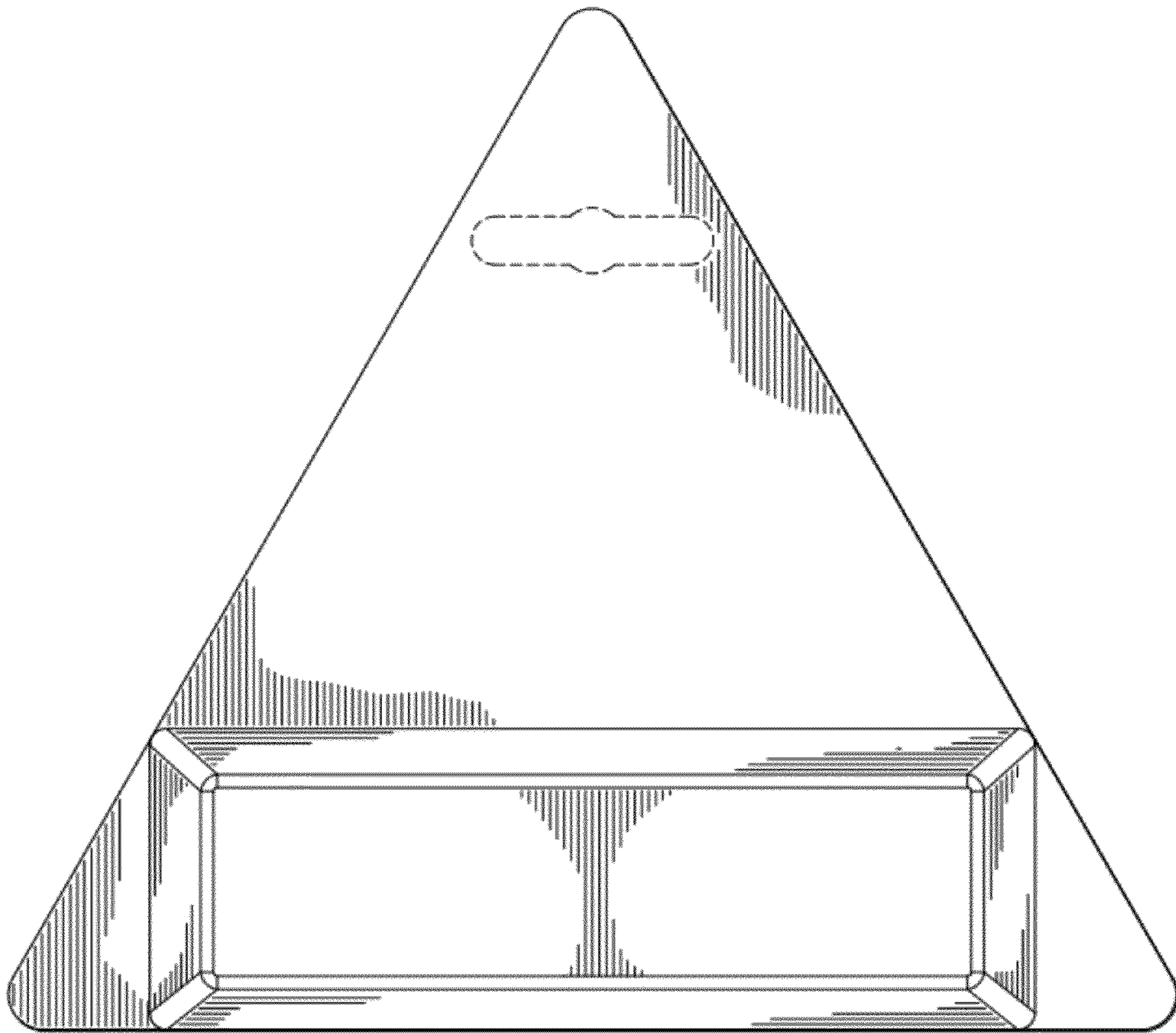


FIG. 2

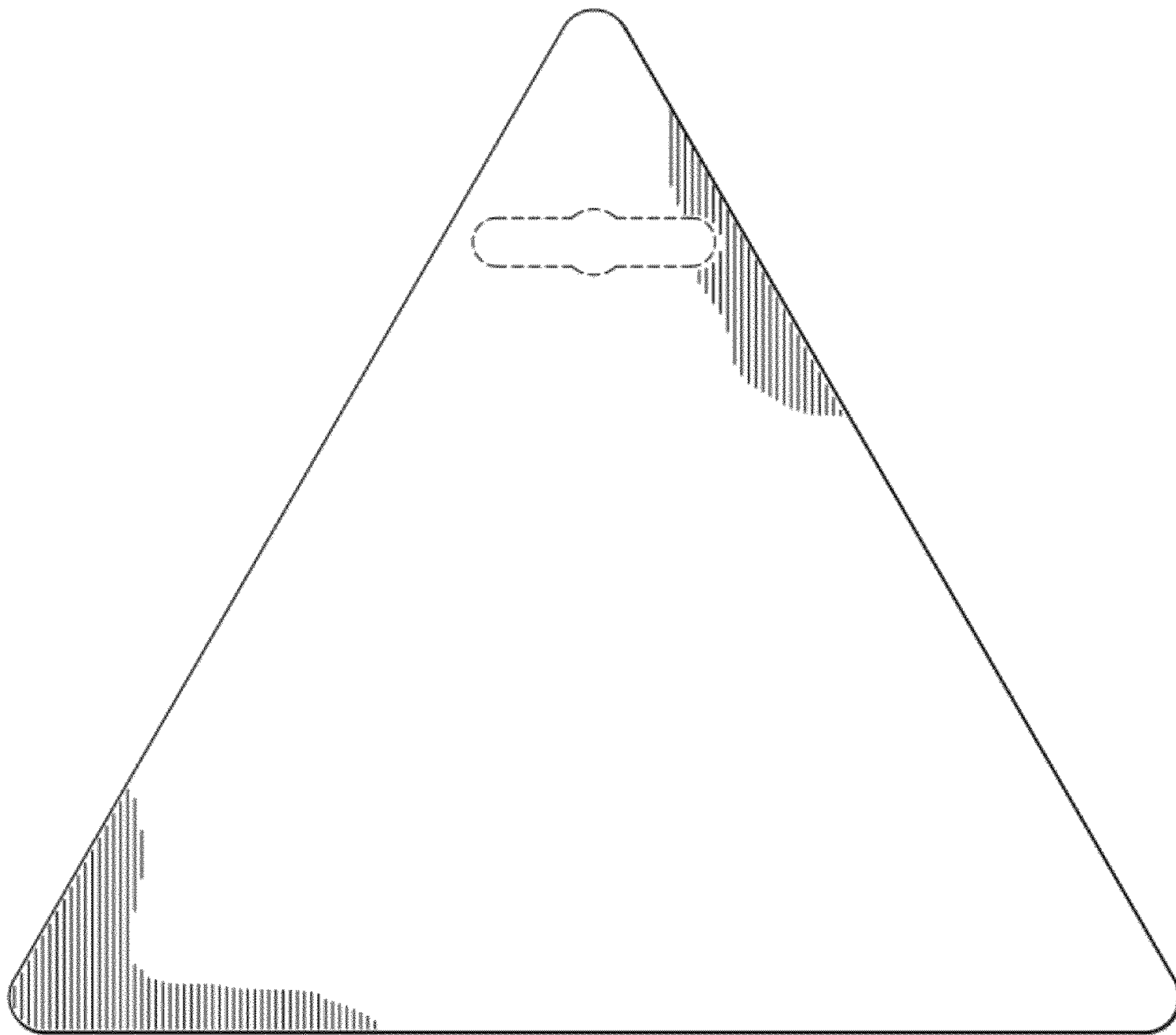


FIG. 3

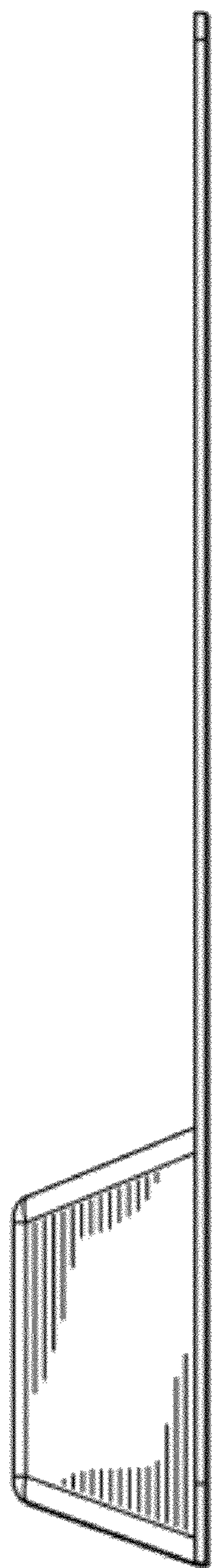


FIG. 4

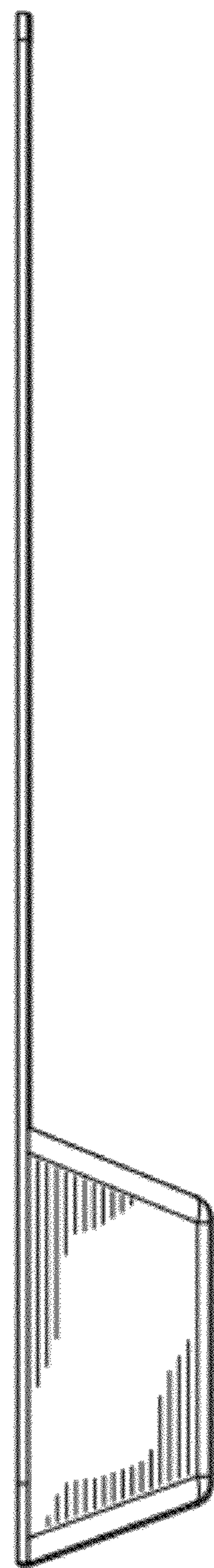


FIG. 5

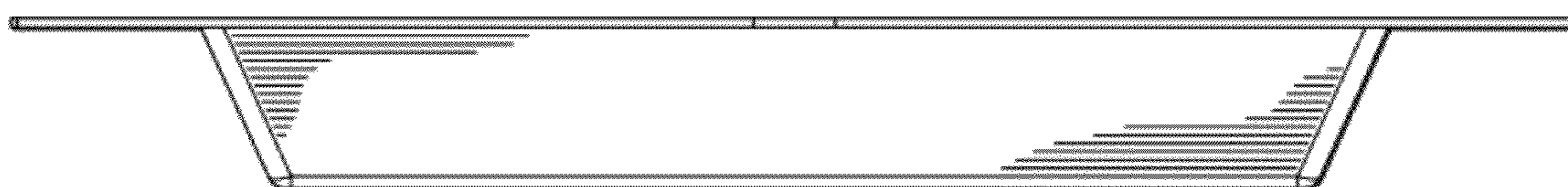


FIG. 6

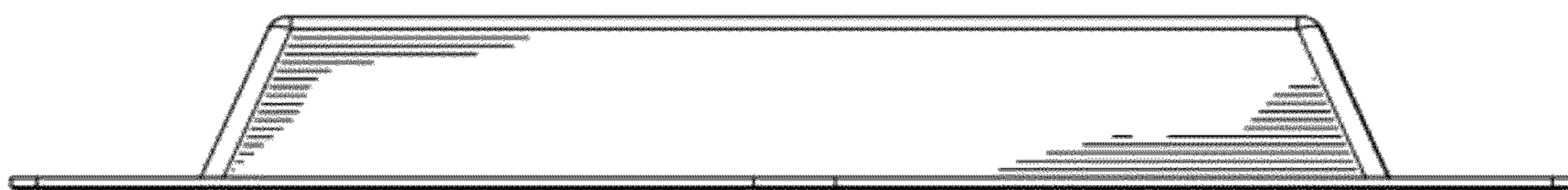


FIG. 7