



US00D669344S

(12) **United States Design Patent**
Martin et al.

(10) **Patent No.:** **US D669,344 S**
(45) **Date of Patent:** **** Oct. 23, 2012**

(54) **HOOK**

(76) Inventors: **Edward Martin**, Lawrenceville, GA (US); **Carl Martin**, Hapeville, GA (US); **Charles Martin**, Kennesaw, GA (US)

(**) Term: **14 Years**

(21) Appl. No.: **29/415,595**

(22) Filed: **Mar. 12, 2012**

Related U.S. Application Data

(63) Continuation of application No. 29/353,949, filed on Jan. 16, 2010.

(51) **LOC (9) Cl.** **08-05**

(52) **U.S. Cl.** **D8/367**

(58) **Field of Classification Search** D8/356, D8/354, 372, 367, 1, 382, 328; 63/8; D12/317, D12/162; D6/323; 248/301-304, 175, 277.2, 248/308, 215, 231.81, 227.2; 70/59; 24/588.1, 24/601, 599.9, 598.1, 599.6, 592.11, 452, 24/601.5; 402/35; 114/218, 114; 294/129 R, 294/600.9; 182/3; D11/210, 3; D9/752; D19/32; D3/207, 328; 16/256, 258
See application file for complete search history.

(56) **References Cited**

U.S. PATENT DOCUMENTS

926,798	A	7/1909	Wilson	
D365,015	S	12/1995	Avinger	
5,515,978	A *	5/1996	Moran	211/30
D423,914	S *	5/2000	Klein et al.	D8/367
6,418,595	B1 *	7/2002	Shih	24/536
6,536,730	B1	3/2003	Baer	
6,874,982	B2 *	4/2005	Rhodes	410/152

7,160,074	B2 *	1/2007	Ernst et al.	411/400
D538,137	S	3/2007	Dukes	
D565,389	S	4/2008	Harmon	
D566,532	S	4/2008	Wolff	
7,387,481	B2 *	6/2008	Suzuki et al.	410/115
D574,699	S	8/2008	Palmer	
D583,223	S	12/2008	Bunn, Sr.	
D597,921	S	8/2009	Krug	
D605,102	S	12/2009	Peschmann	
D623,576	S	9/2010	Lemieux	
D635,844	S *	4/2011	Boothby	D8/367
D649,020	S *	11/2011	Kim	D8/367
D649,437	S *	11/2011	McDuff et al.	D8/367
D654,706	S *	2/2012	Kacines	D6/323
D656,000	S *	3/2012	Halleck	D8/356
D658,484	S *	5/2012	Wall	D8/354
2004/0200940	A1	10/2004	Pacheco	
2007/0235622	A1 *	10/2007	Baran et al.	248/546

* cited by examiner

Primary Examiner — Cynthia Underwood

(74) *Attorney, Agent, or Firm* — Jones IP Law, LLC; Dennis W. Jones

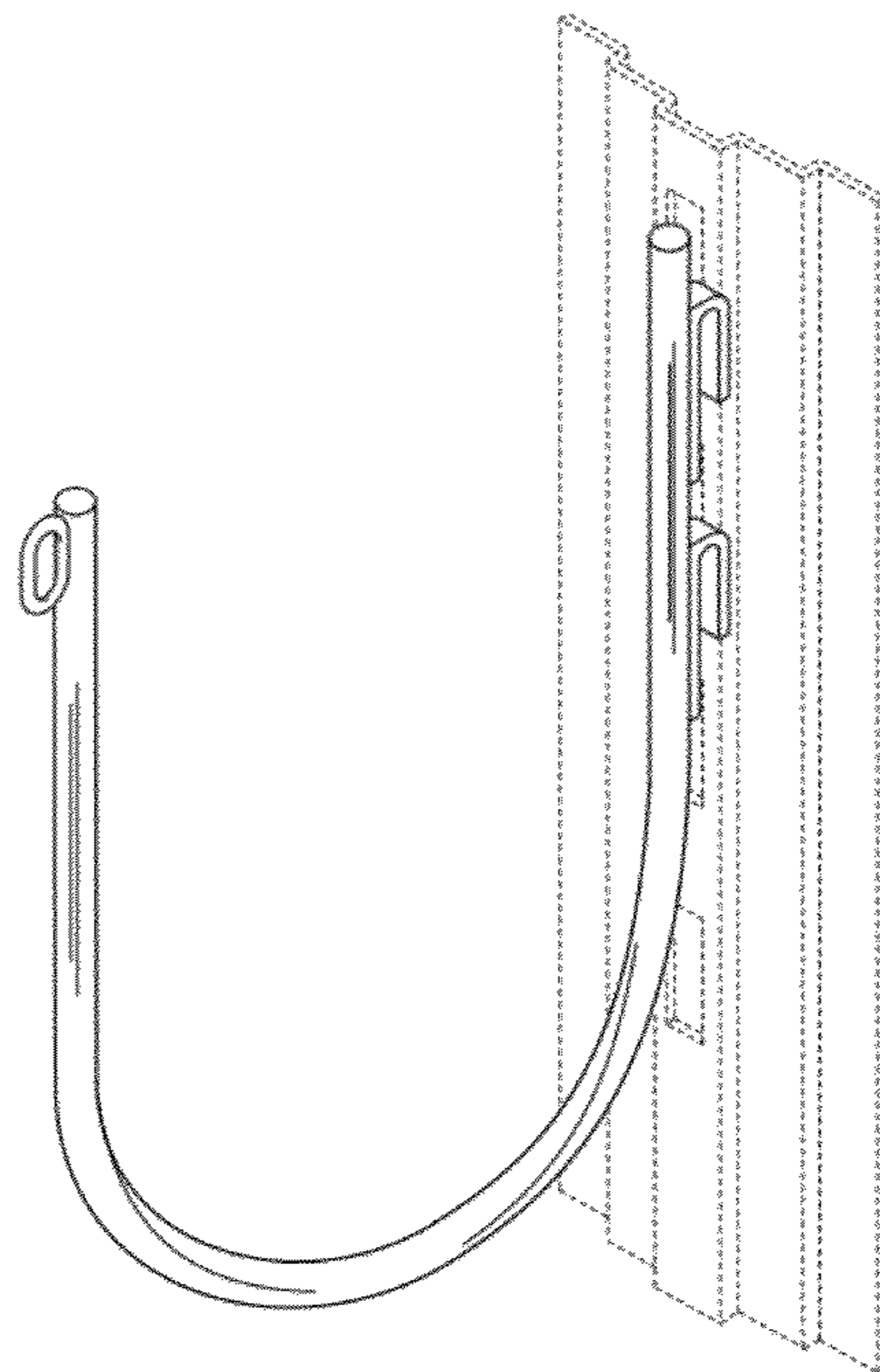
(57) **CLAIM**

The ornamental design for a hook, as shown and described.

DESCRIPTION

FIG. 1 is a perspective view of a hook;
FIG. 2 is a front view thereof;
FIG. 3 is a left side view thereof;
FIG. 4 is a rear view thereof;
FIG. 5 is a right side view thereof;
FIG. 6 is a top view thereof; and,
FIG. 7 is a bottom view thereof.
The broken lines are for illustrative purposes only and form no part of the claimed design.

1 Claim, 2 Drawing Sheets



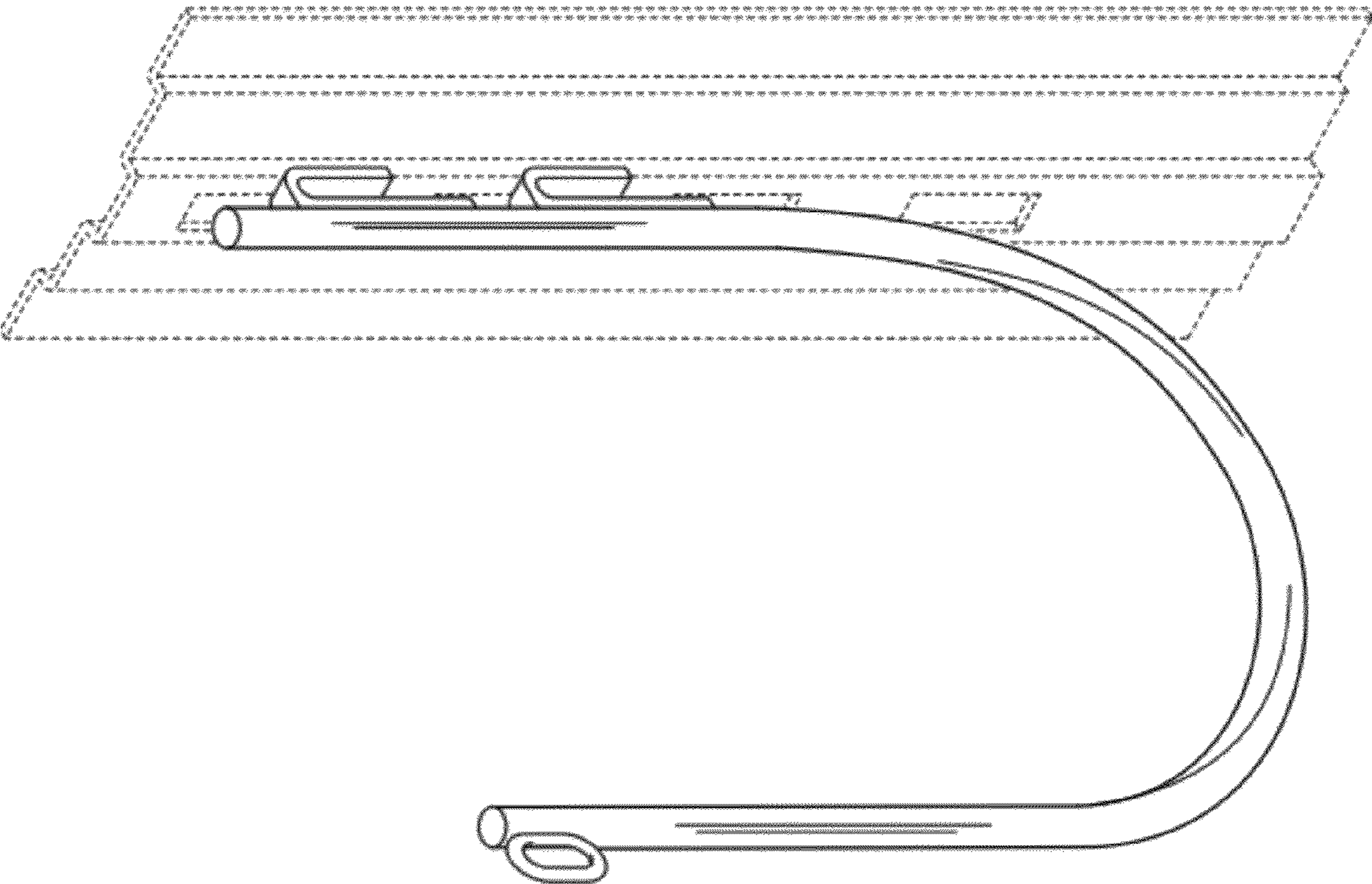


Fig. 1

Fig. 6



Fig. 2



Fig. 3

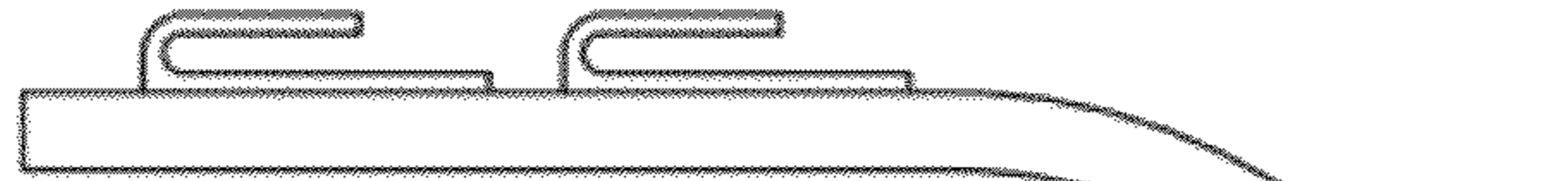


Fig. 4

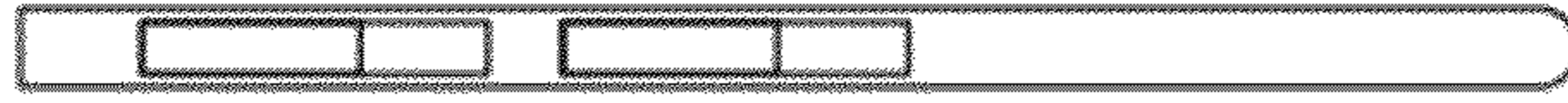


Fig. 5

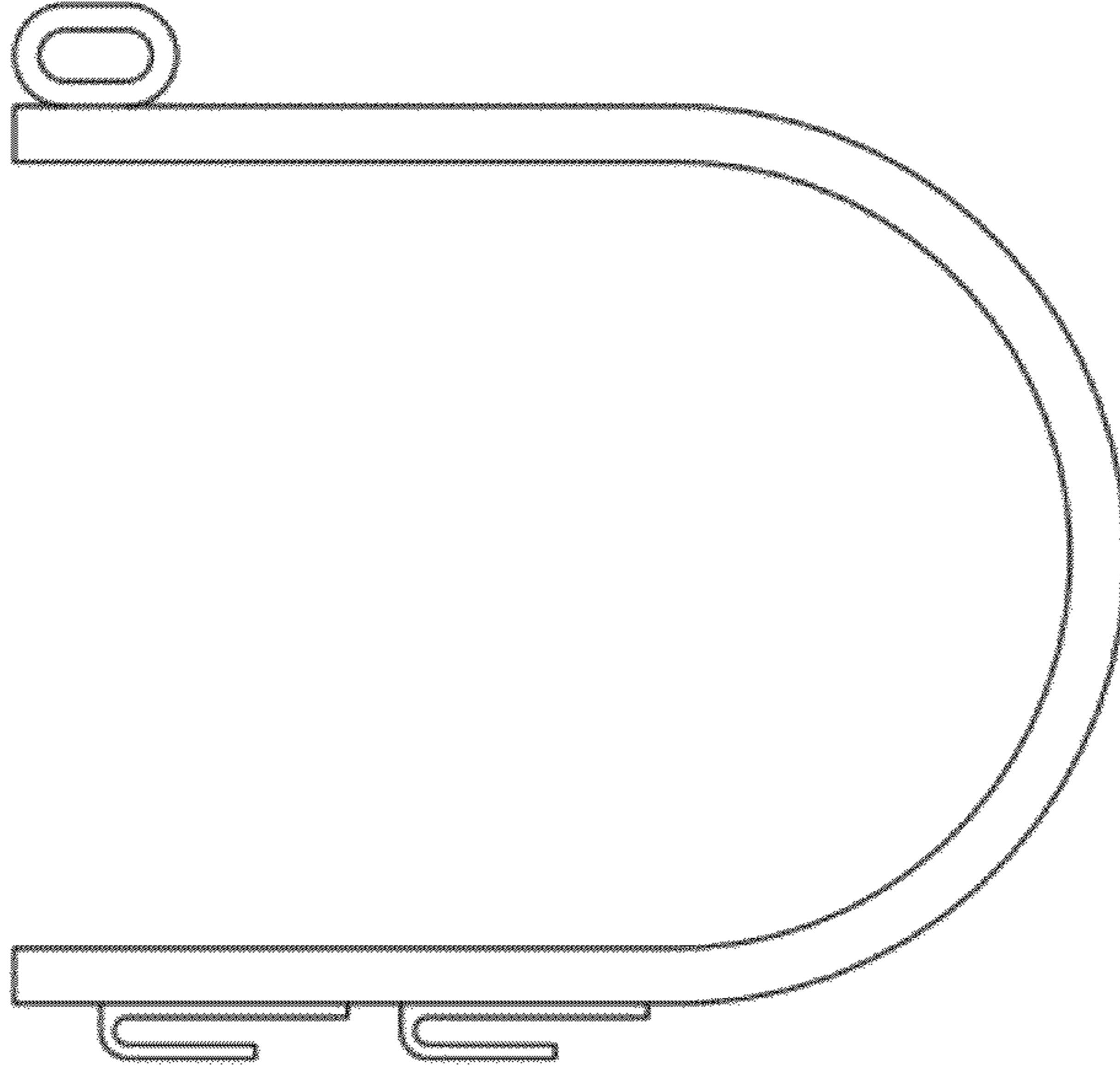


Fig. 7

