



US00D669342S

(12) **United States Design Patent**
Wach

(10) **Patent No.:** **US D669,342 S**

(45) **Date of Patent:** **** Oct. 23, 2012**

(54) **DOOR CLOSURE DEVICE**

(75) **Inventor:** **Ryan Robert Wach**, Glendale, CA (US)

(73) **Assignee:** **Anthony, Inc.**, Sylmar, CA (US)

(**) **Term:** **14 Years**

(21) **Appl. No.:** **29/419,492**

(22) **Filed:** **Apr. 27, 2012**

(51) **LOC (9) Cl.** **08-05**

(52) **U.S. Cl.** **D8/356**

(58) **Field of Classification Search** D8/323,
D8/344, 354; 16/2.1, 260, 261, 262, 263,
16/254, 379, 380, 381, 356, 386, 229; 403/154,
403/224, 161

See application file for complete search history.

(56) **References Cited**

U.S. PATENT DOCUMENTS

3,980,331	A	9/1976	Kennedy et al.	
D393,390	S *	4/1998	Gottwald	D6/550
7,025,012	B1 *	4/2006	Pecharich	114/218
D532,661	S *	11/2006	Wood	D8/14
D545,304	S *	6/2007	Sergi	D14/238
D564,869	S *	3/2008	Peterson	D8/382
D565,395	S *	4/2008	Moore et al.	D8/363
D616,727	S *	6/2010	Chou	D8/354

D628,040	S *	11/2010	Banasik et al.	D8/71
D663,609	S *	7/2012	Ogden, Jr.	D8/354
2011/0058914	A1 *	3/2011	Ogden	410/101

* cited by examiner

Primary Examiner — Cynthia Underwood

(74) *Attorney, Agent, or Firm* — Jeffer Mangels Butler & Mitchell LLP

(57) **CLAIM**

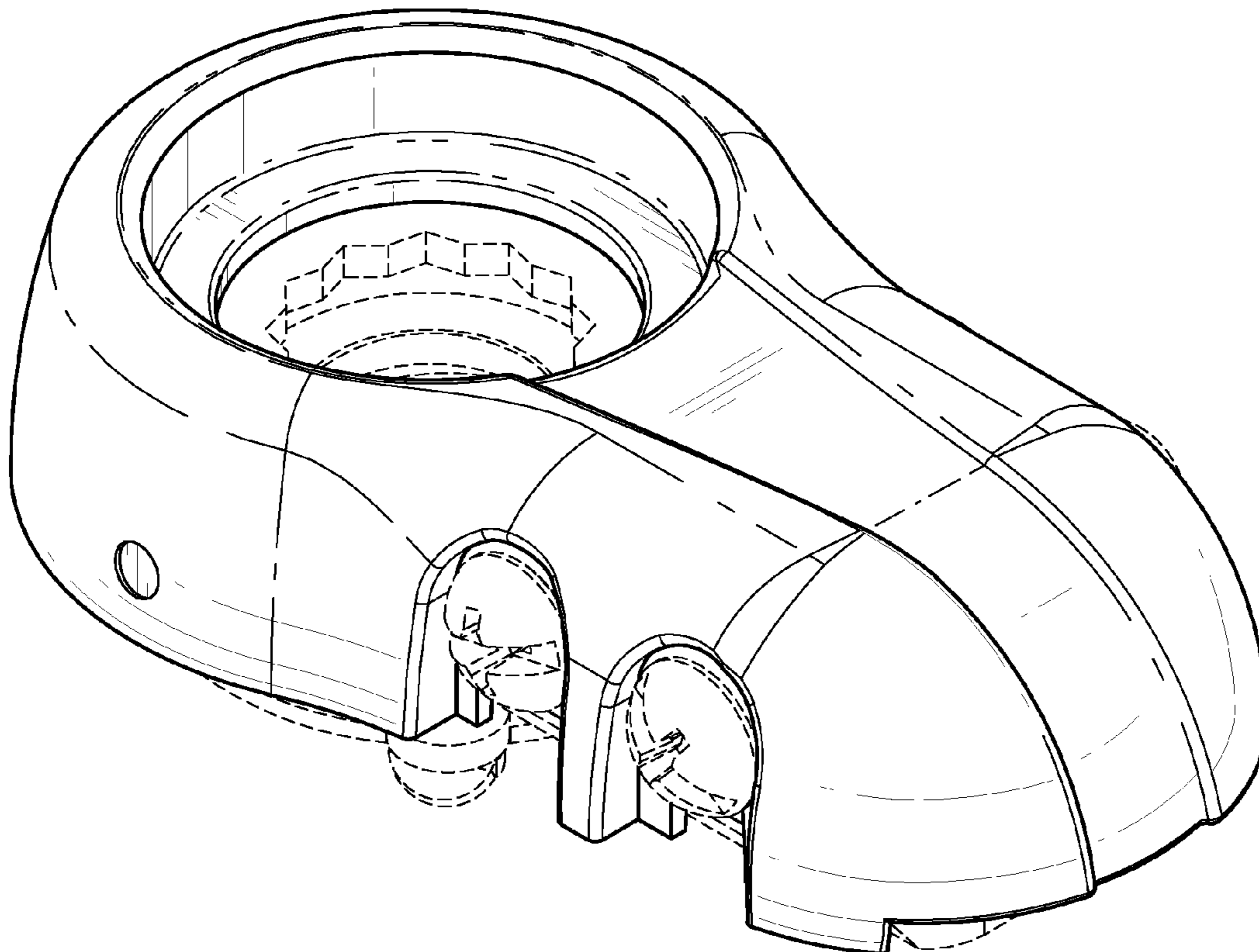
The ornamental design for a door closure device, as shown and described.

DESCRIPTION

FIG. 1 is a perspective view of the present invention; FIG. 2 is a front elevational view of the present invention; FIG. 3 is a right side elevational view of the present invention, the left side elevational view being a mirror image thereof; FIG. 4 is a rear elevational view of the present invention; FIG. 5 is a top plan view of the present invention; FIG. 6 is a bottom plan view of the present invention; and, FIG. 7 is another bottom plan view of the present invention which shows the interior of the device.

The broken lines represent portions of the structure that form no part of the claim.

1 Claim, 5 Drawing Sheets



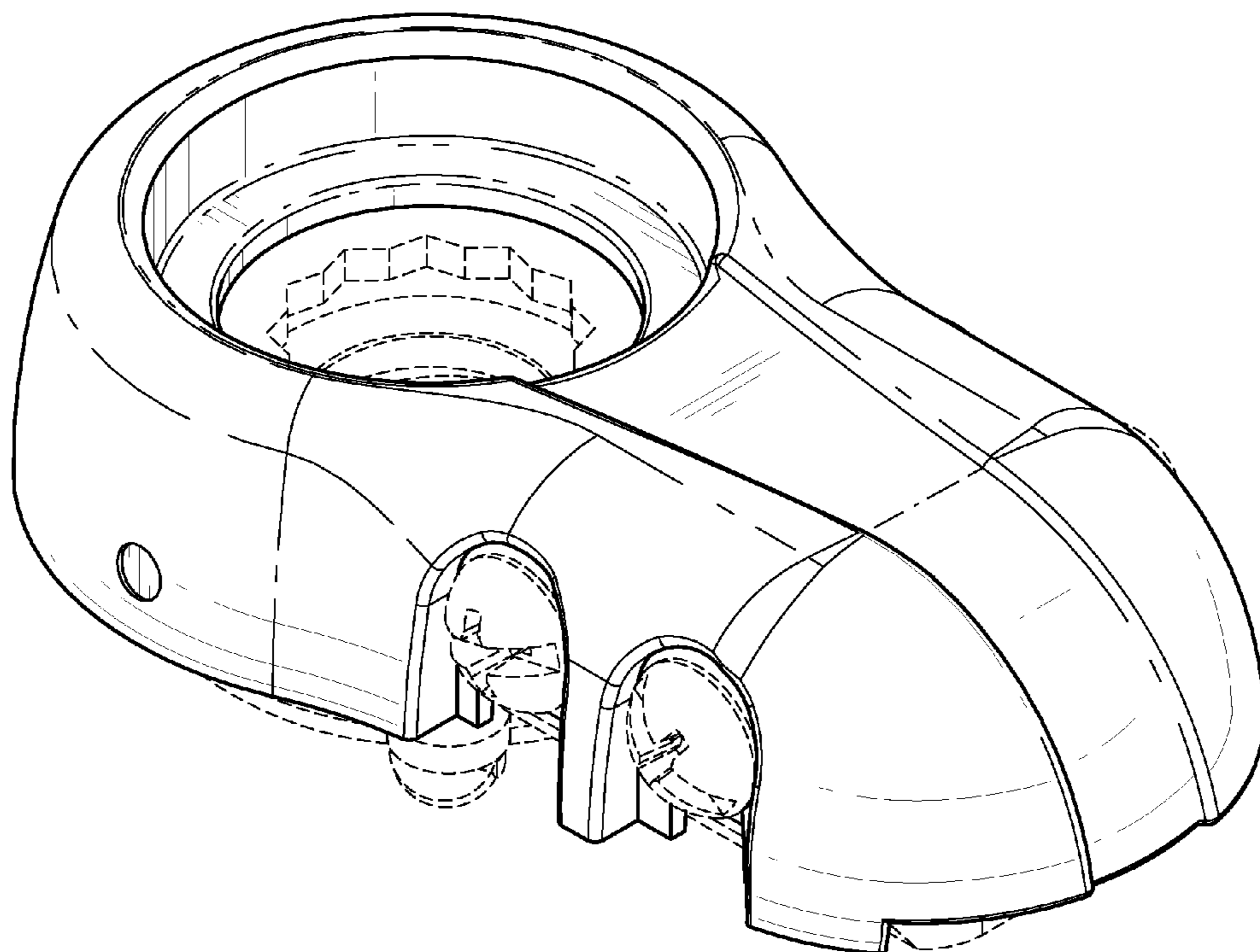


FIG. 1

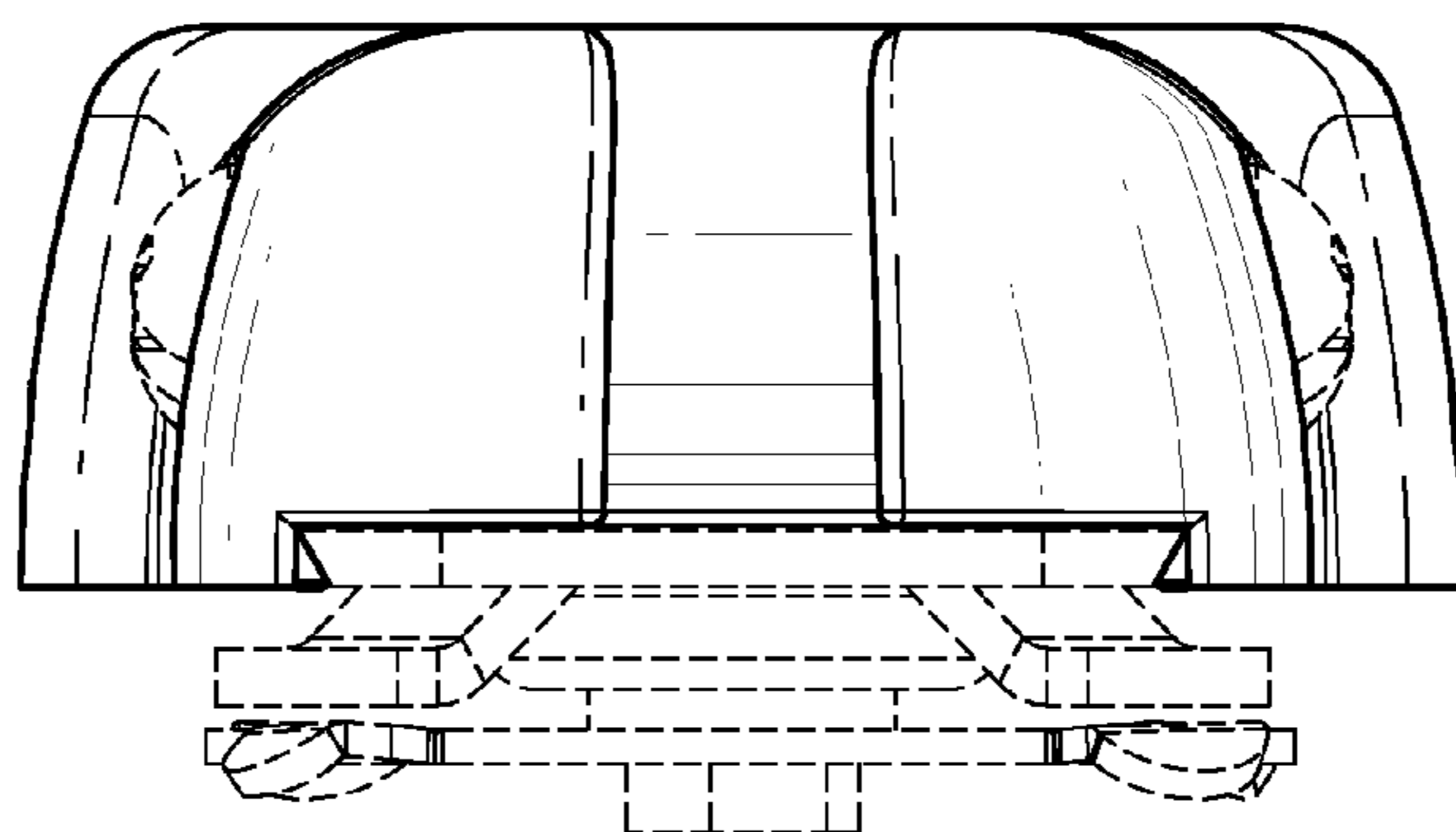


FIG. 2

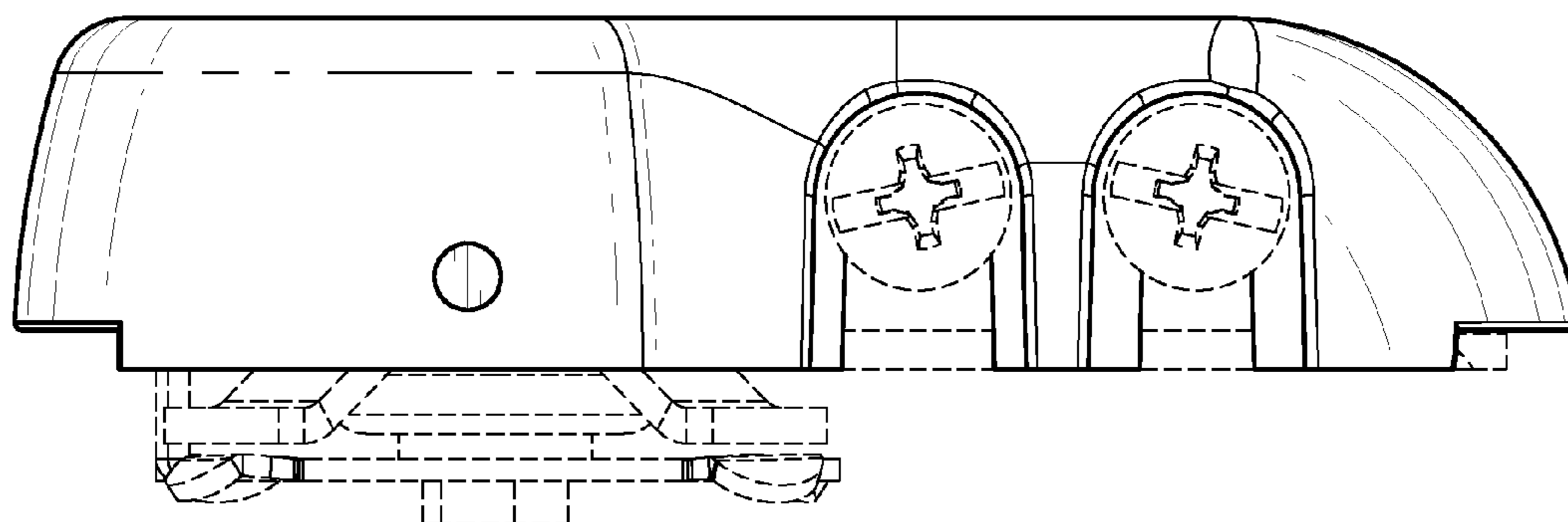


FIG. 3

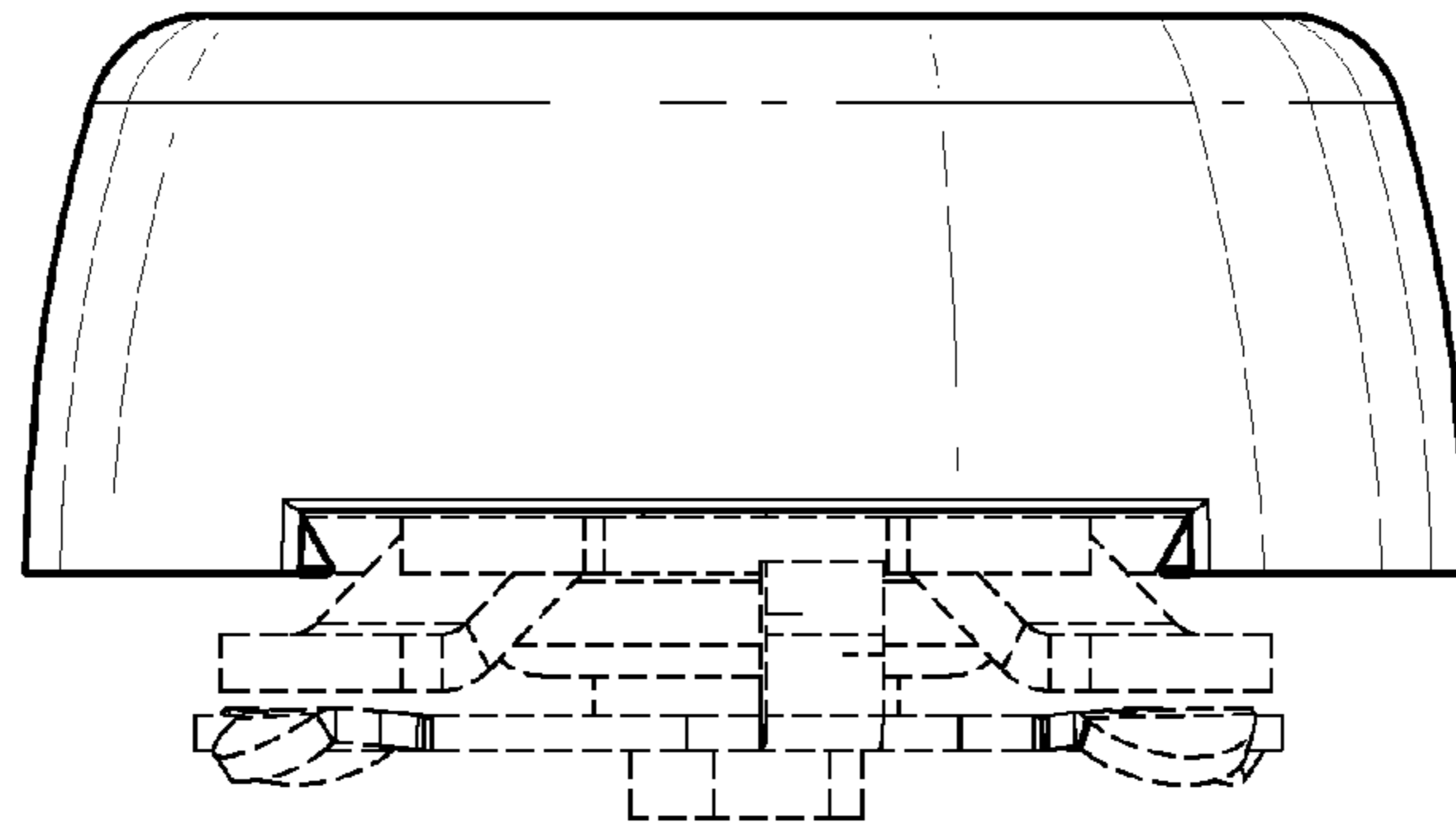


FIG. 4

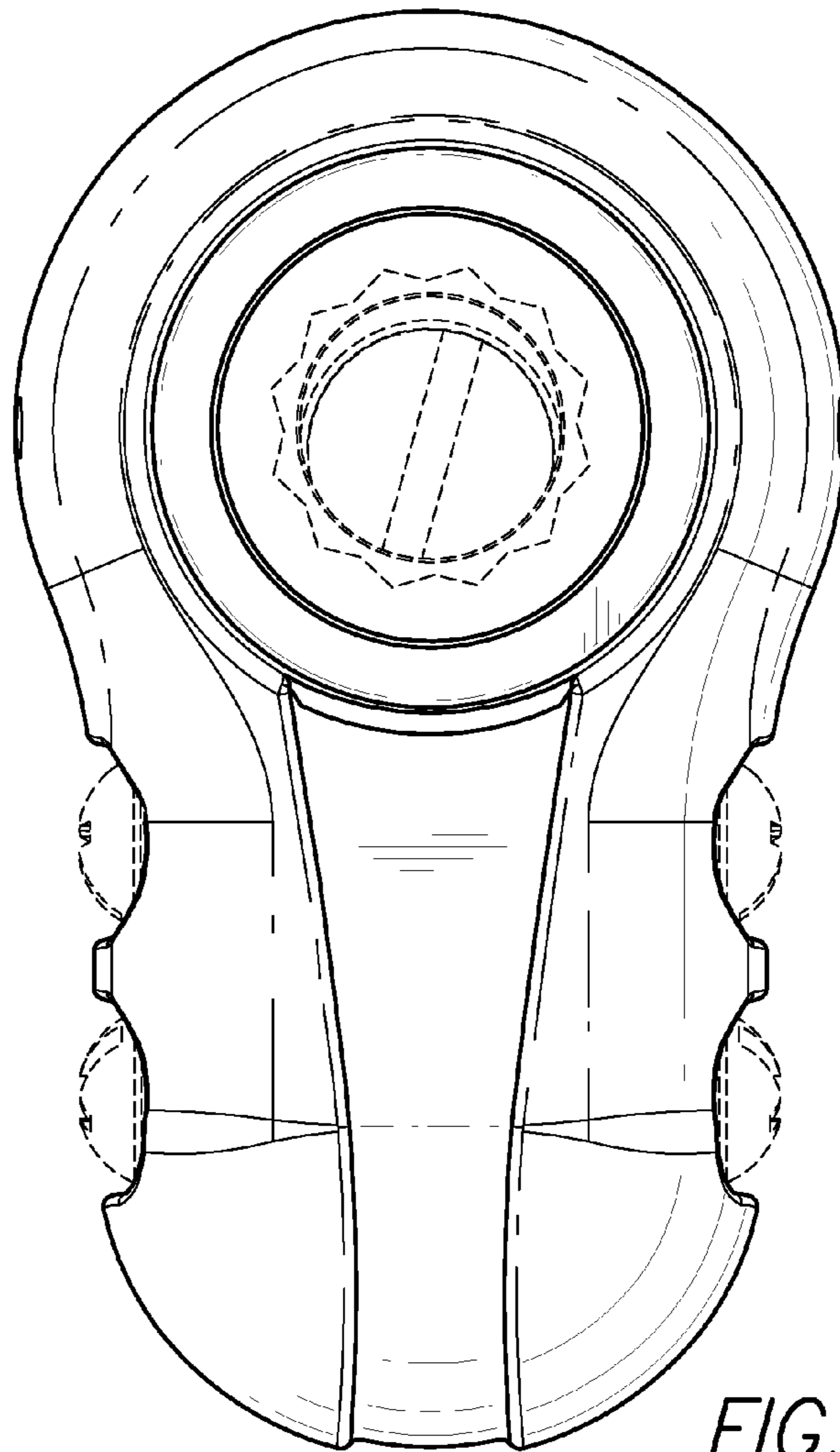


FIG. 5

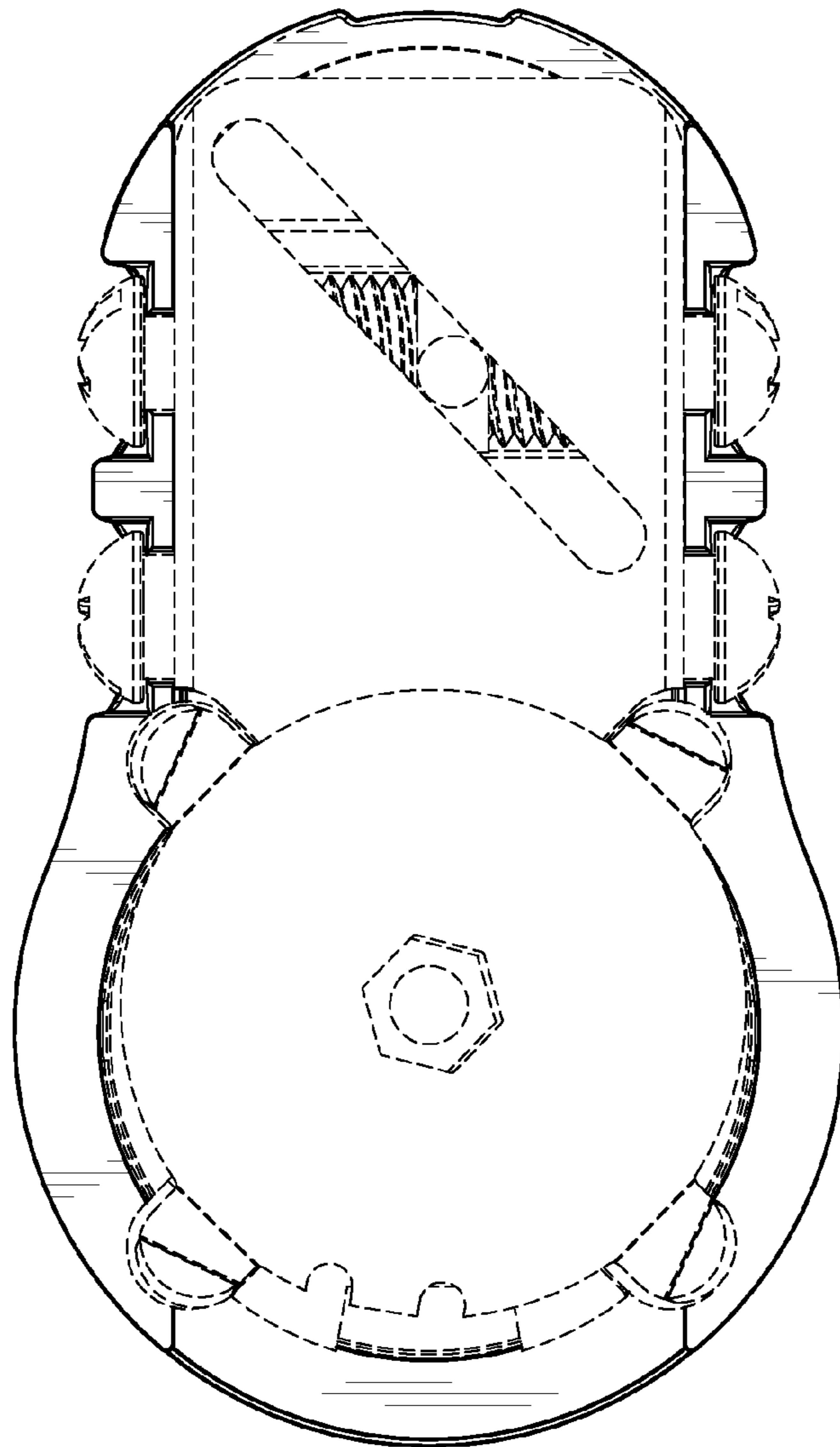


FIG. 6

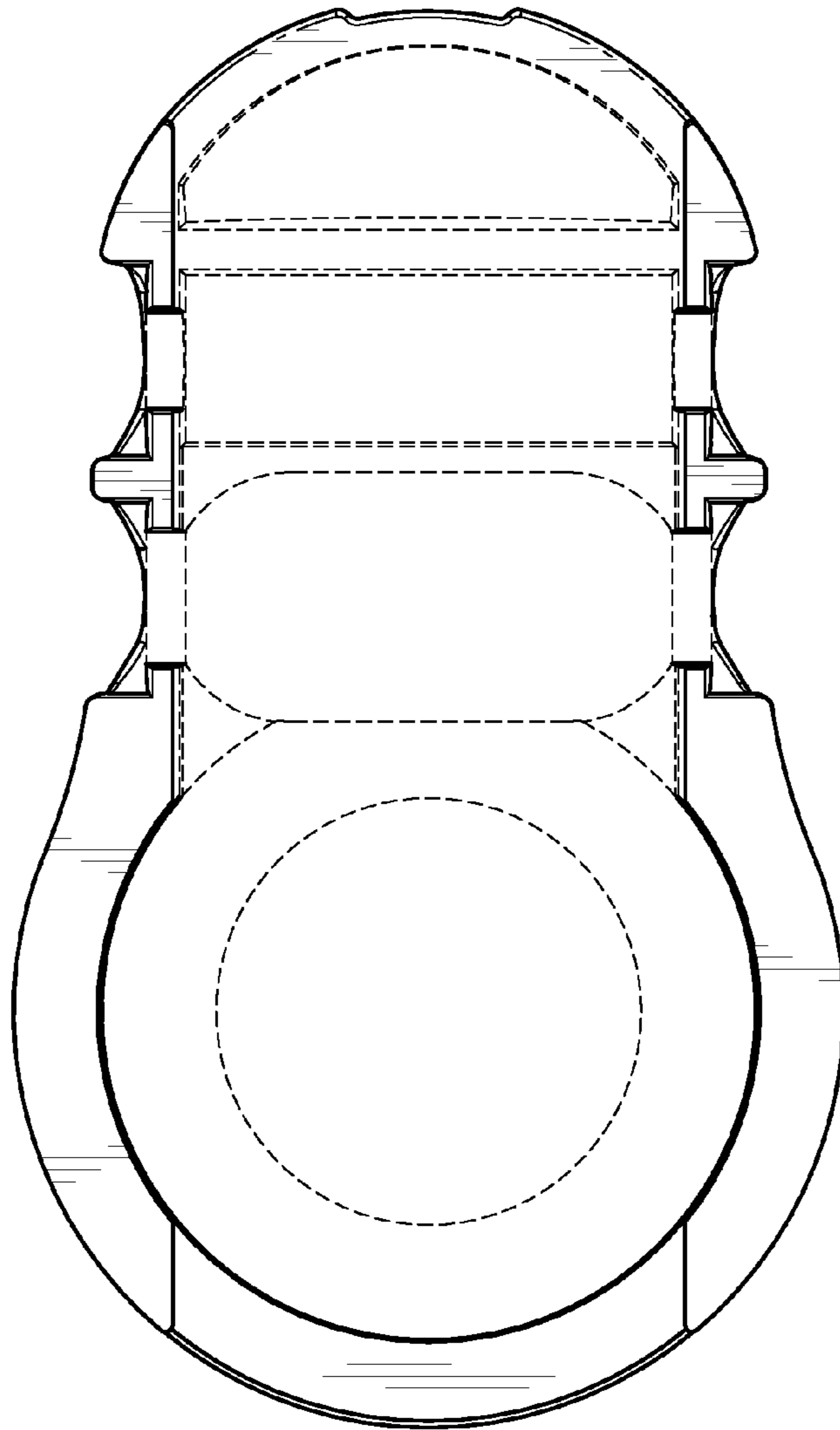


FIG. 7