



US00D669341S

(12) **United States Design Patent**  
**Hernandez**

(10) **Patent No.:** **US D669,341 S**  
(45) **Date of Patent:** **\*\* Oct. 23, 2012**

(54) **HOSE ACCESSORY CADDY**  
(76) Inventor: **Larry Hernandez**, Riverside, CA (US)  
(\*\*) Term: **14 Years**  
(21) Appl. No.: **29/415,703**  
(22) Filed: **Mar. 13, 2012**  
(51) **LOC (9) Cl.** ..... **08-05**  
(52) **U.S. Cl.** ..... **D8/356**  
(58) **Field of Classification Search** ..... D8/367,  
D8/371, 373, 354-356, 349; D6/323; 248/215,  
248/301, 339, 349.1, 49, 51, 187; 160/349.1,  
160/349.2; 24/265 H, 265 R, 599.1, 599.8,  
24/113 R, 573.5; 294/82.18; 29/525.1, 45.3;  
D3/24; 223/106; 242/615.2, 157 R  
See application file for complete search history.

7,249,728 B2 7/2007 Williamson  
D554,979 S 11/2007 Hsu  
D576,406 S 9/2008 Chan  
D589,329 S 3/2009 Plunk et al.  
7,527,227 B1 \* 5/2009 Mondello ..... 248/75  
D597,827 S 8/2009 Brassard  
D602,662 S 10/2009 Conner  
D605,032 S 12/2009 Bushey  
D608,190 S 1/2010 Jimenez  
D621,692 S 8/2010 Clarke  
D622,132 S 8/2010 DeMars et al.  
D622,585 S 8/2010 Walker, Jr.  
D622,927 S 9/2010 Griebel  
D623,048 S 9/2010 Moy  
D628,465 S \* 12/2010 Hernandez ..... D8/356  
D639,147 S \* 6/2011 Surles ..... D8/356  
8,052,098 B1 \* 11/2011 Kowaleski ..... 248/49  
D653,100 S \* 1/2012 Chen ..... D8/356  
2001/0028021 A1 \* 10/2001 Martin ..... 248/87  
\* cited by examiner

(56) **References Cited**

U.S. PATENT DOCUMENTS

441,511 A 11/1890 Segur  
803,464 A 10/1905 Beck  
2,618,465 A \* 11/1952 Austin, Jr. .... 242/615.2  
2,900,111 A 8/1959 Scheurer  
3,672,617 A 6/1972 Neyendorf  
D264,010 S 4/1982 Graf  
D308,479 S \* 6/1990 Cassity ..... D8/380  
D325,929 S 5/1992 Larson et al.  
D363,163 S 10/1995 Funatsu et al.  
5,515,593 A 5/1996 Eagler  
D395,390 S 6/1998 Etherton et al.  
6,079,675 A 6/2000 Hsu  
D431,447 S 10/2000 Meyerhoefer  
D434,886 S 12/2000 Wareham et al.  
D442,444 S 5/2001 Bowling et al.  
D462,603 S 9/2002 Wright et al.  
6,464,178 B1 \* 10/2002 Kidd, III ..... 248/51  
6,476,327 B1 11/2002 Bernard et al.  
D481,303 S 10/2003 Fell et al.  
D487,536 S 3/2004 Ågren  
6,832,408 B2 12/2004 Roney et al.  
D523,321 S 6/2006 Verbeek  
D539,638 S 4/2007 Franks, Jr.

*Primary Examiner* — Cynthia Underwood  
(74) *Attorney, Agent, or Firm* — Kirk A. Buhler; Buhler & Associates

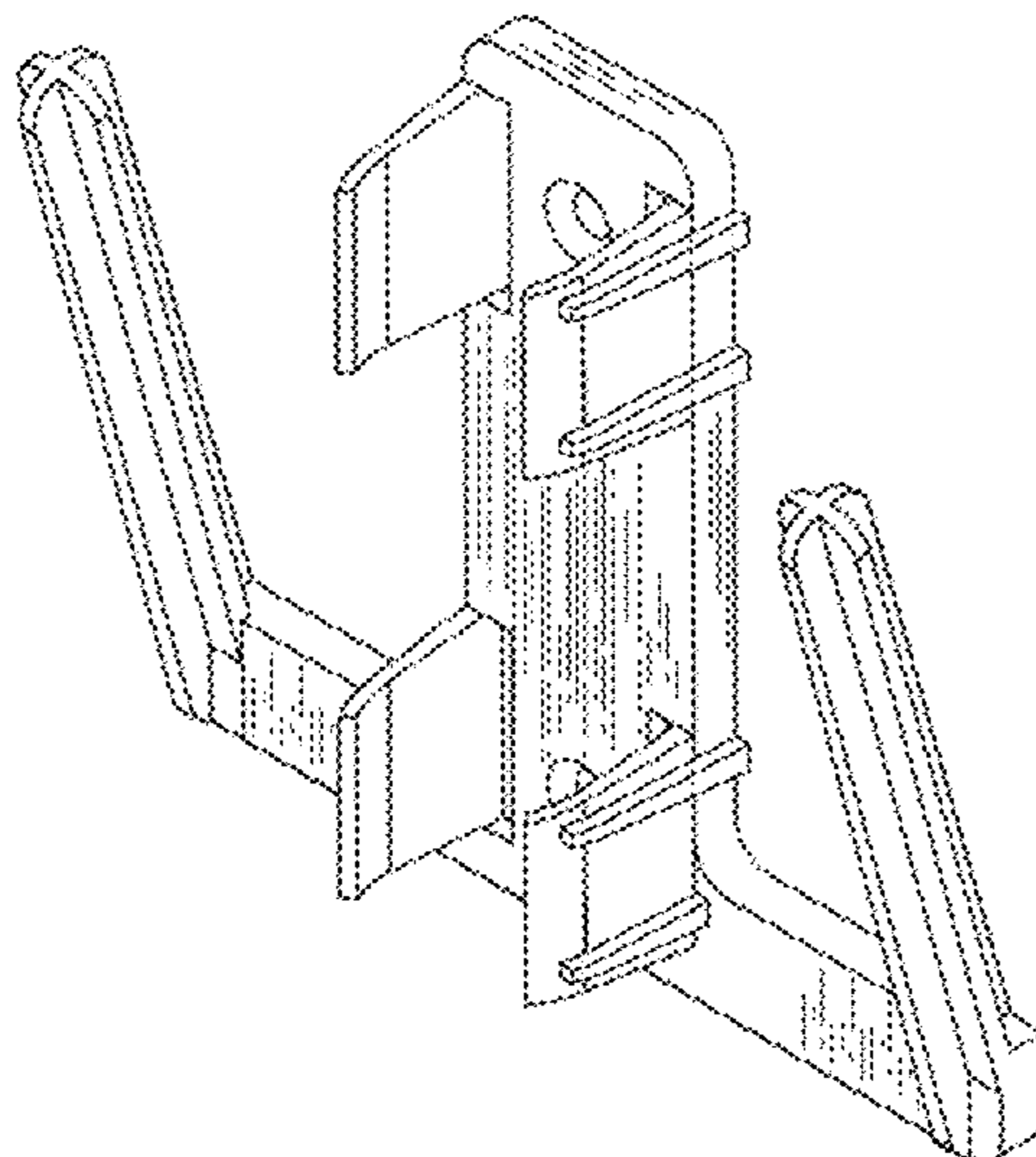
(57) **CLAIM**

The ornamental design for a hose accessory caddy, as shown and described.

**DESCRIPTION**

FIG. 1 is a perspective view for a hose accessory caddy showing my new design;  
FIG. 2 is a front side view thereof;  
FIG. 3 is a bottom view thereof;  
FIG. 4 is a back view thereof;  
FIG. 5 is a top view thereof;  
FIG. 6 is a right view thereof;  
FIG. 7 is a left view thereof; and,  
FIG. 8 is an isometric view thereof shown in an environment of use.  
The broken lines depict environmental subject matter only and form no part of the claim.

**1 Claim, 5 Drawing Sheets**



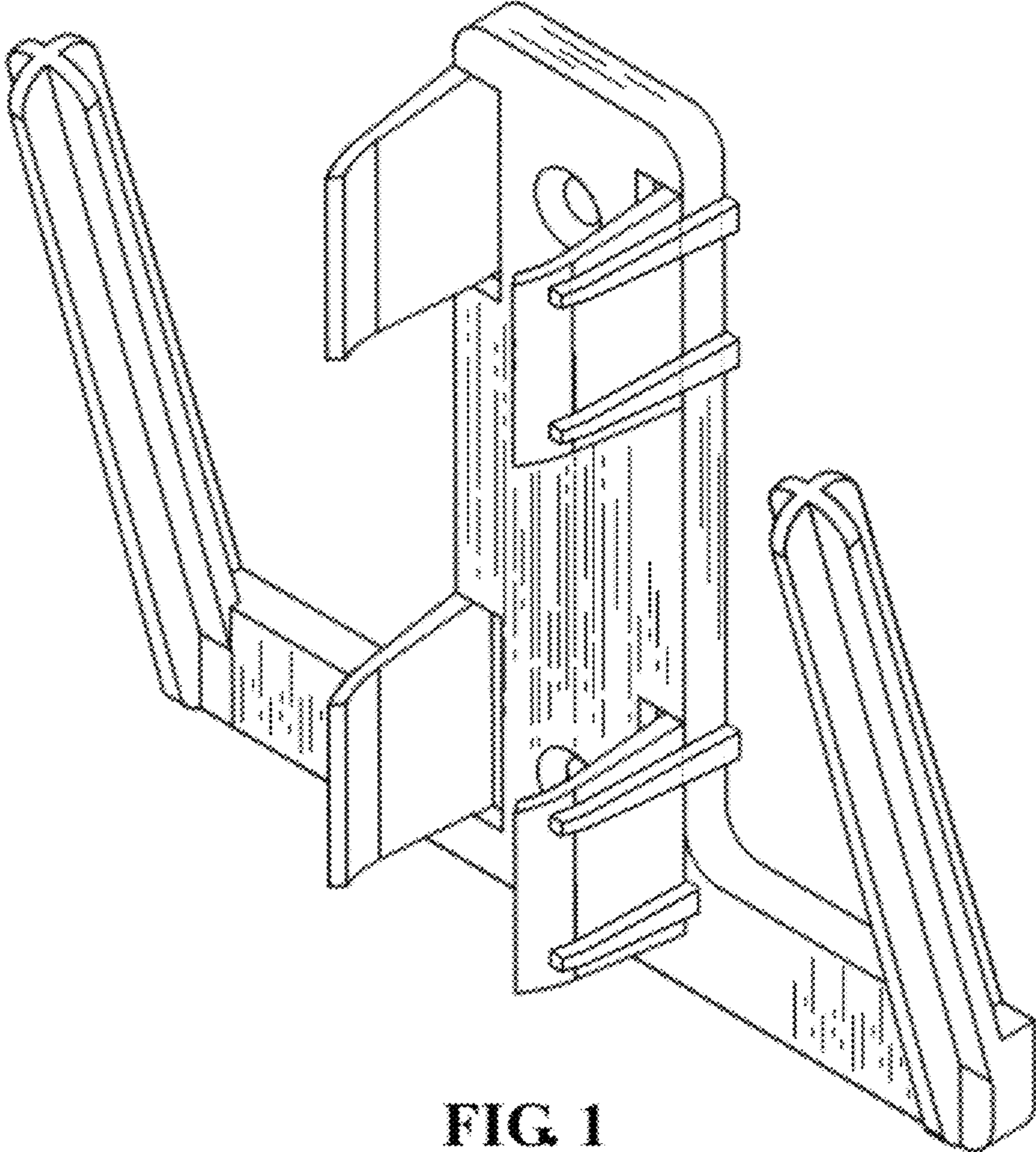


FIG 1

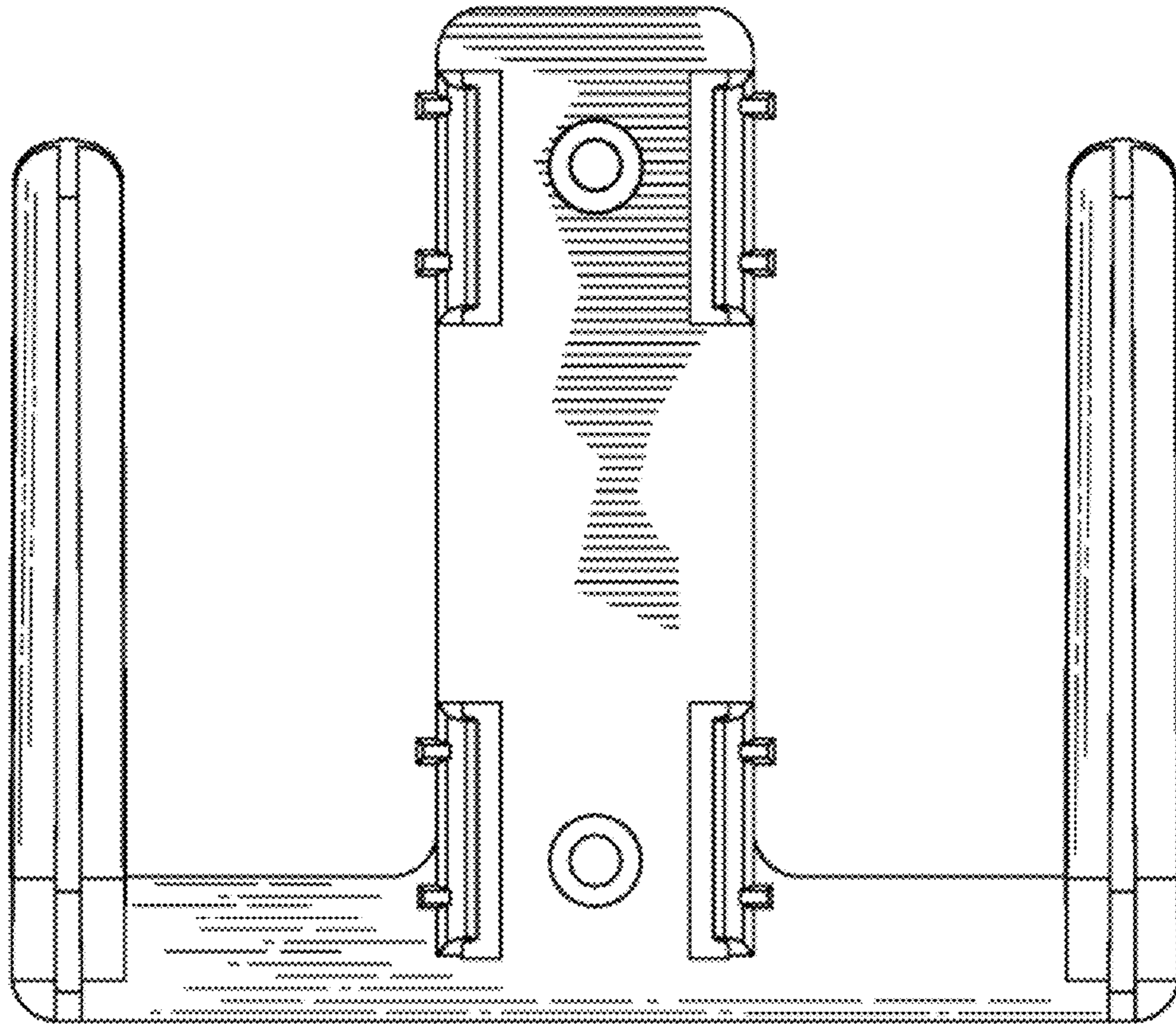


FIG. 2

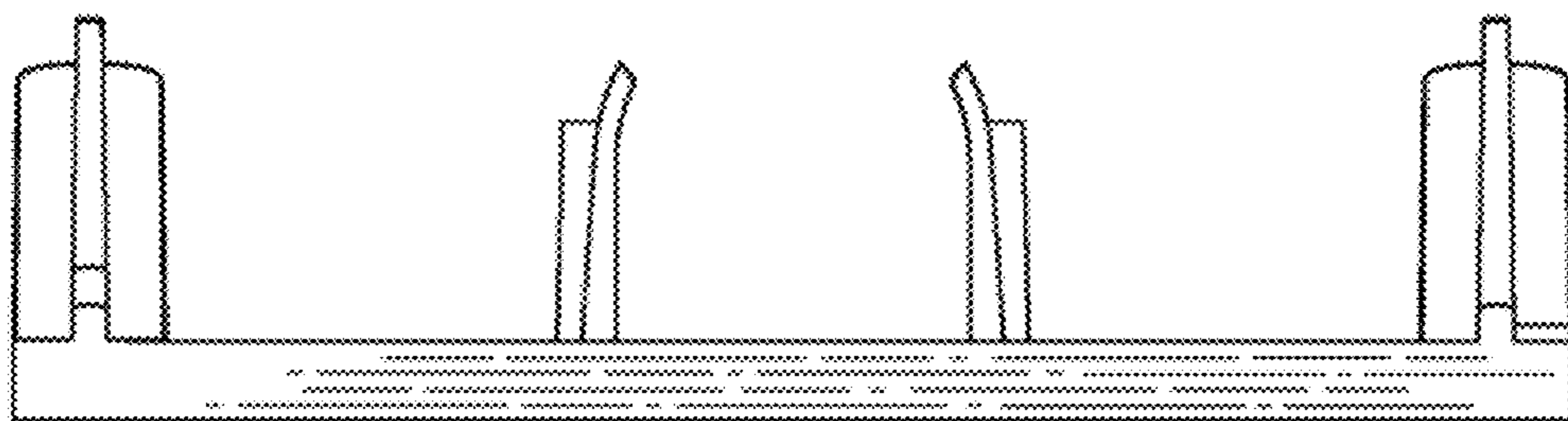
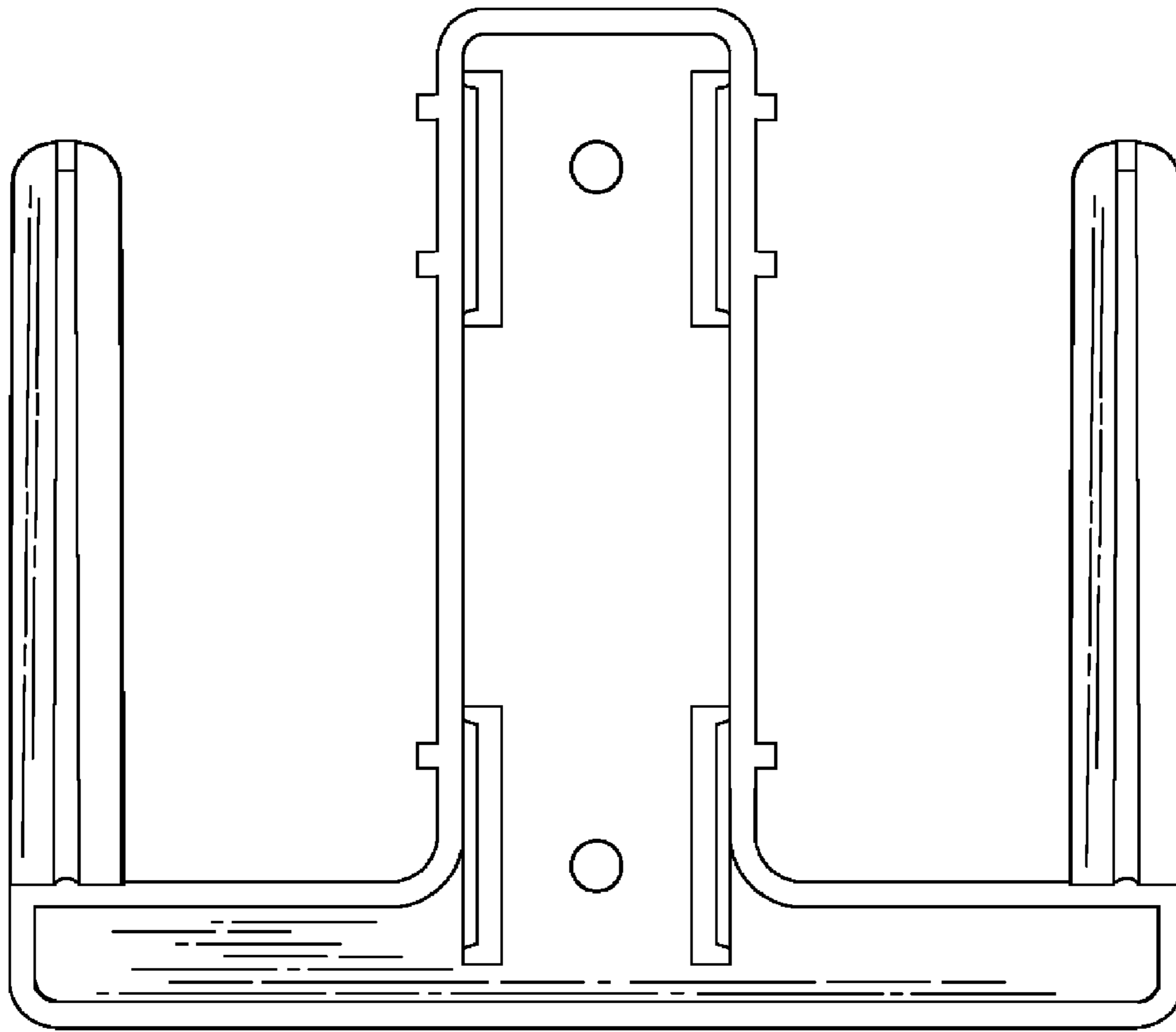
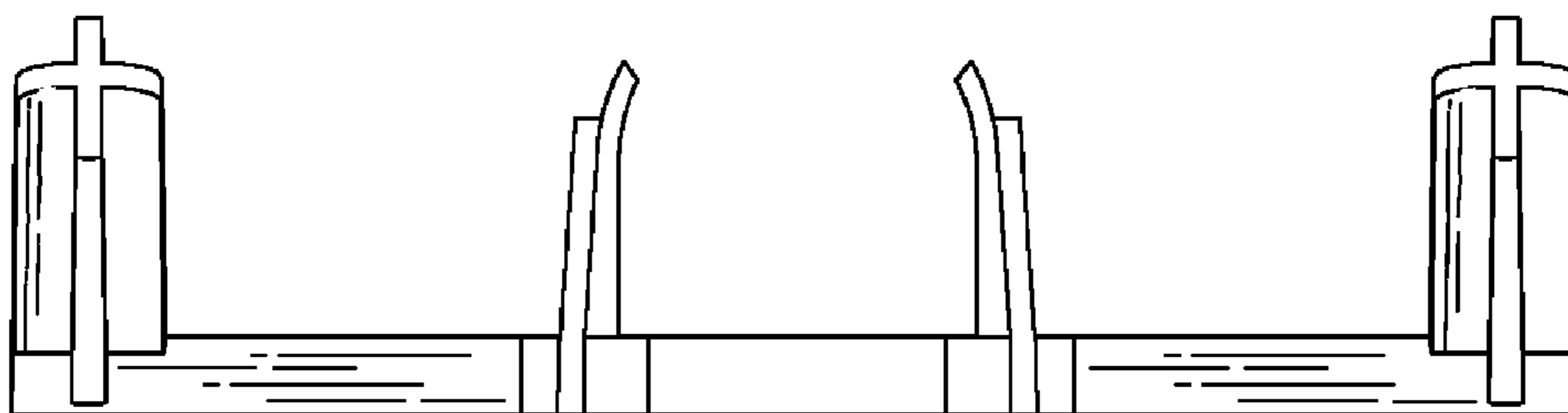


FIG. 3



**FIG 4**



**FIG 5**

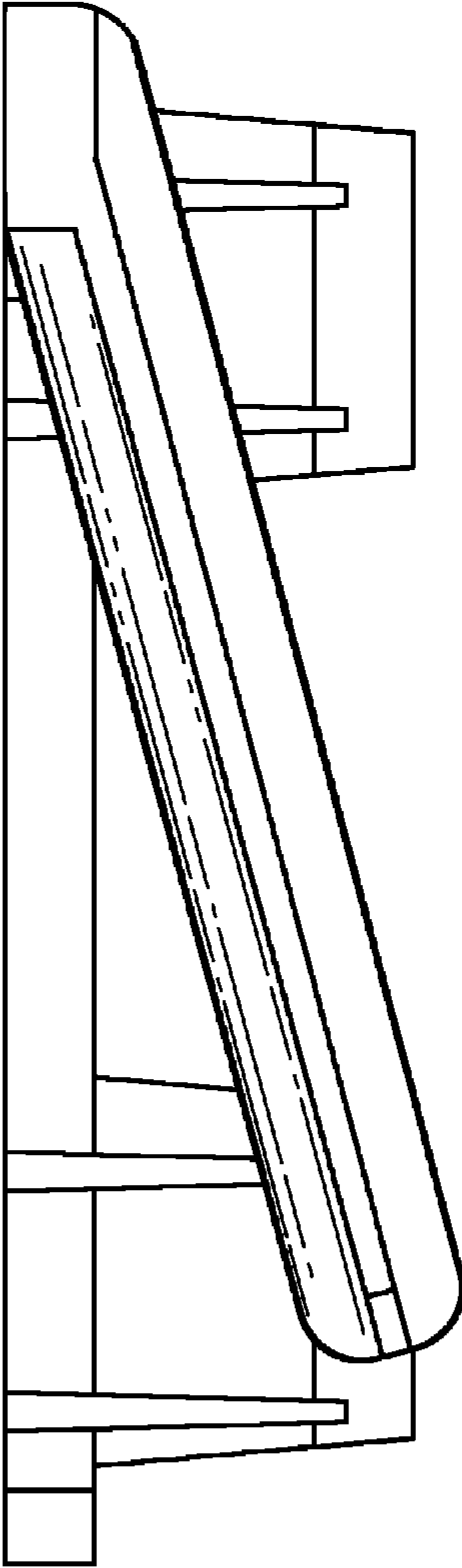


FIG 6

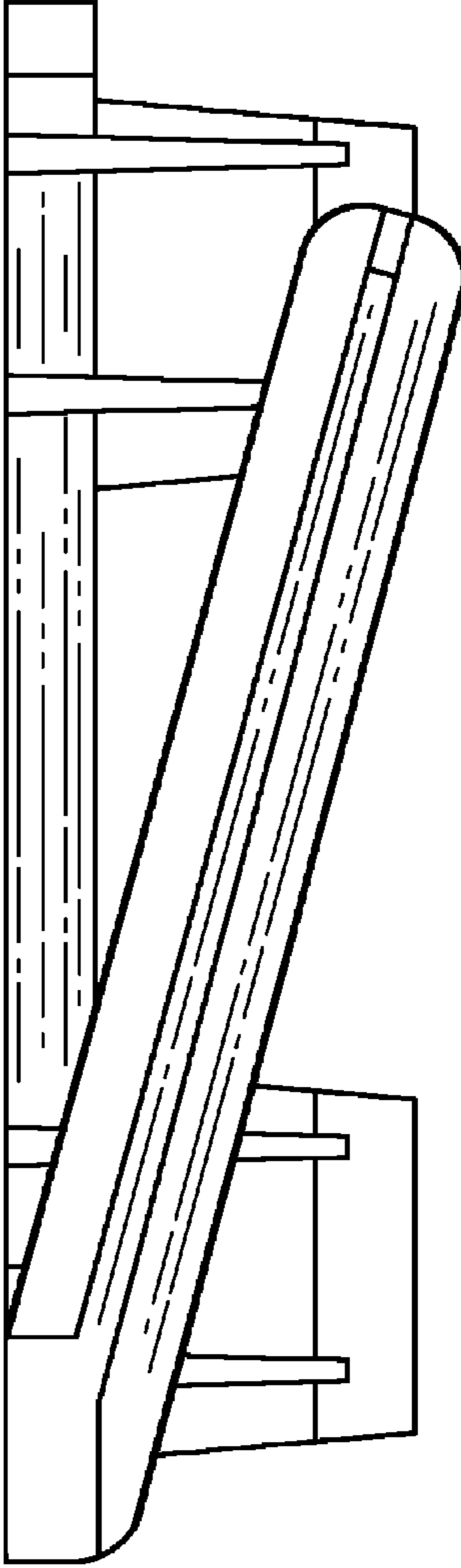


FIG 7

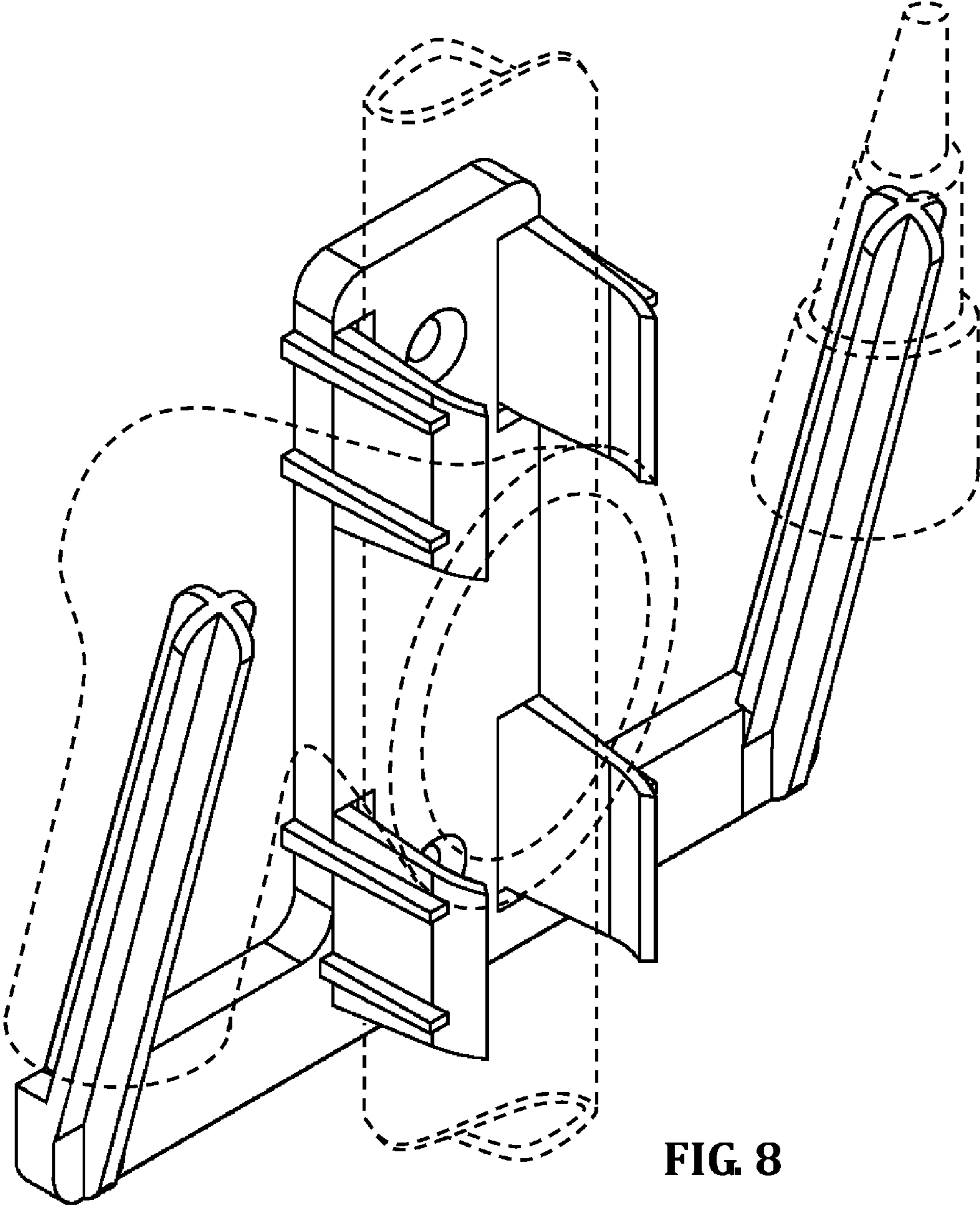


FIG. 8