

US00D669339S

(12) **United States Design Patent**
Panik

(10) **Patent No.:** **US D669,339 S**

(45) **Date of Patent:** **** Oct. 23, 2012**

(54) **LOCKING ASSEMBLY**

(75) Inventor: **David Panik**, West Bloomfield, MI (US)

(73) Assignee: **Perception, Inc.**, Plymouth, MI (US)

(**) Term: **14 Years**

(21) Appl. No.: **29/386,545**

(22) Filed: **Mar. 2, 2011**

(51) **LOC (9) Cl.** **08-07**

(52) **U.S. Cl.** **D8/343**

(58) **Field of Classification Search** D8/330,
D8/331, 339, 343, 344, 346, 349, 400; 70/14.57,
70/57.1, 52, 141, 158, 160, 416, 431
See application file for complete search history.

(56) **References Cited**

U.S. PATENT DOCUMENTS

D334,703	S	*	4/1993	Murphy	D8/331
5,404,733	A	*	4/1995	Fitzpatrick	70/14
5,802,887	A	*	9/1998	Beland	70/14
D512,627	S	*	12/2005	Okada	D8/343
7,216,903	B1	*	5/2007	Kent et al.	292/288
D552,449	S	*	10/2007	Kotze et al.	D8/330
D577,571	S	*	9/2008	Stevens	D8/343
7,474,222	B2	*	1/2009	Yang et al.	340/572.8

D620,340	S	*	7/2010	Liljeqvist et al.	D8/330
7,918,117	B2	*	4/2011	Frolov et al.	70/431
D649,431	S	*	11/2011	Shartel	D8/330

* cited by examiner

Primary Examiner — Prabhakar Deshmukh

(74) *Attorney, Agent, or Firm* — Brinks Hofer Gilson & Lione

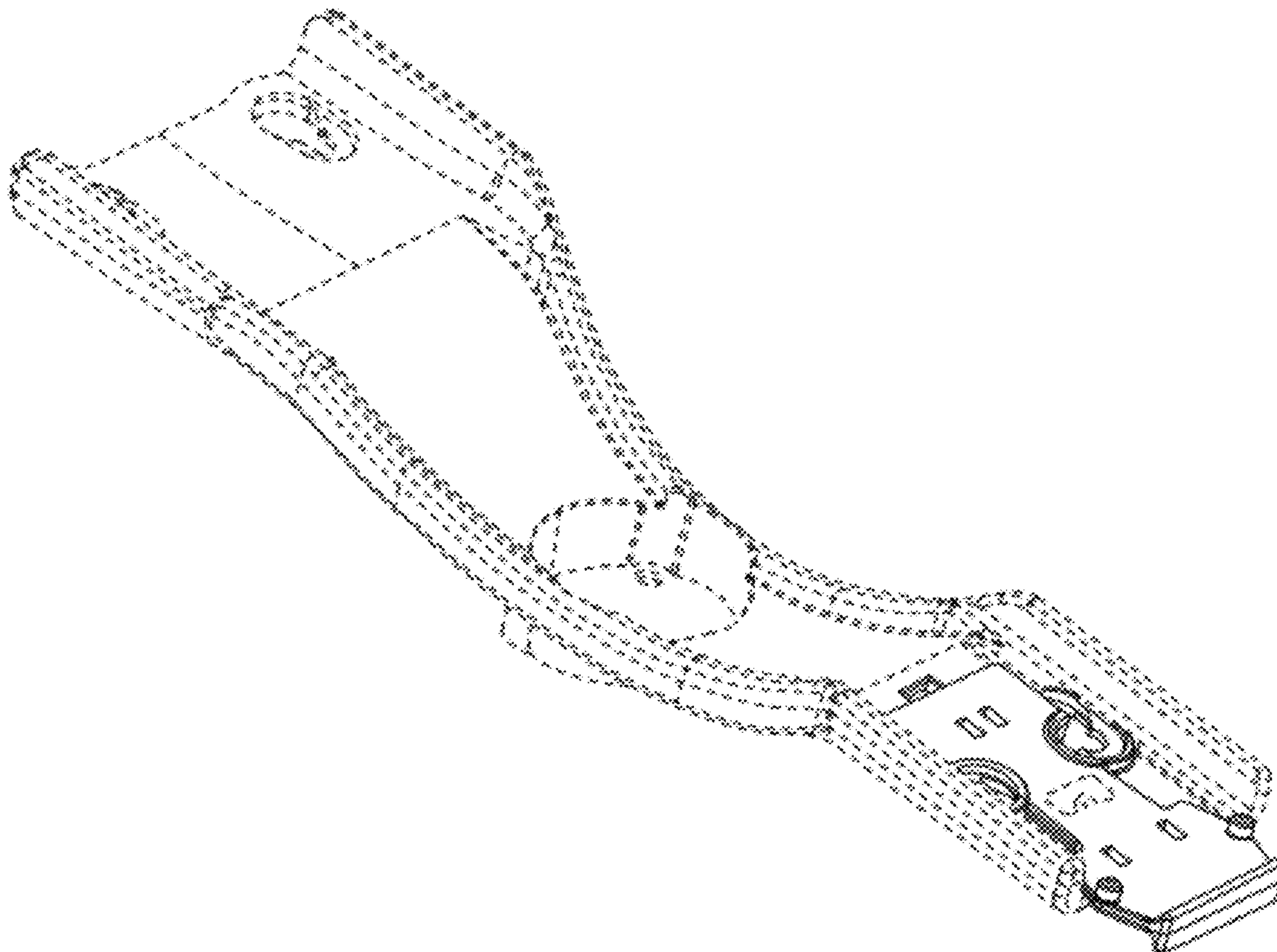
(57) **CLAIM**

The ornamental design for a locking assembly, as shown and described.

DESCRIPTION

FIG. 1 is a front perspective view of locking assembly showing my new design;
FIG. 2 is a rear perspective view thereof;
FIG. 3 is a rear elevational view thereof;
FIG. 4 is a front elevational view thereof;
FIG. 5 is a right side elevational view thereof;
FIG. 6 is a left side elevational view thereof;
FIG. 7 is an enlarged scale top plan view thereof; and,
FIG. 8 is an enlarged scale bottom plan view thereof.
The broken lines are included for the purpose of illustrating environmental structure and form no part of the claimed design.

1 Claim, 8 Drawing Sheets



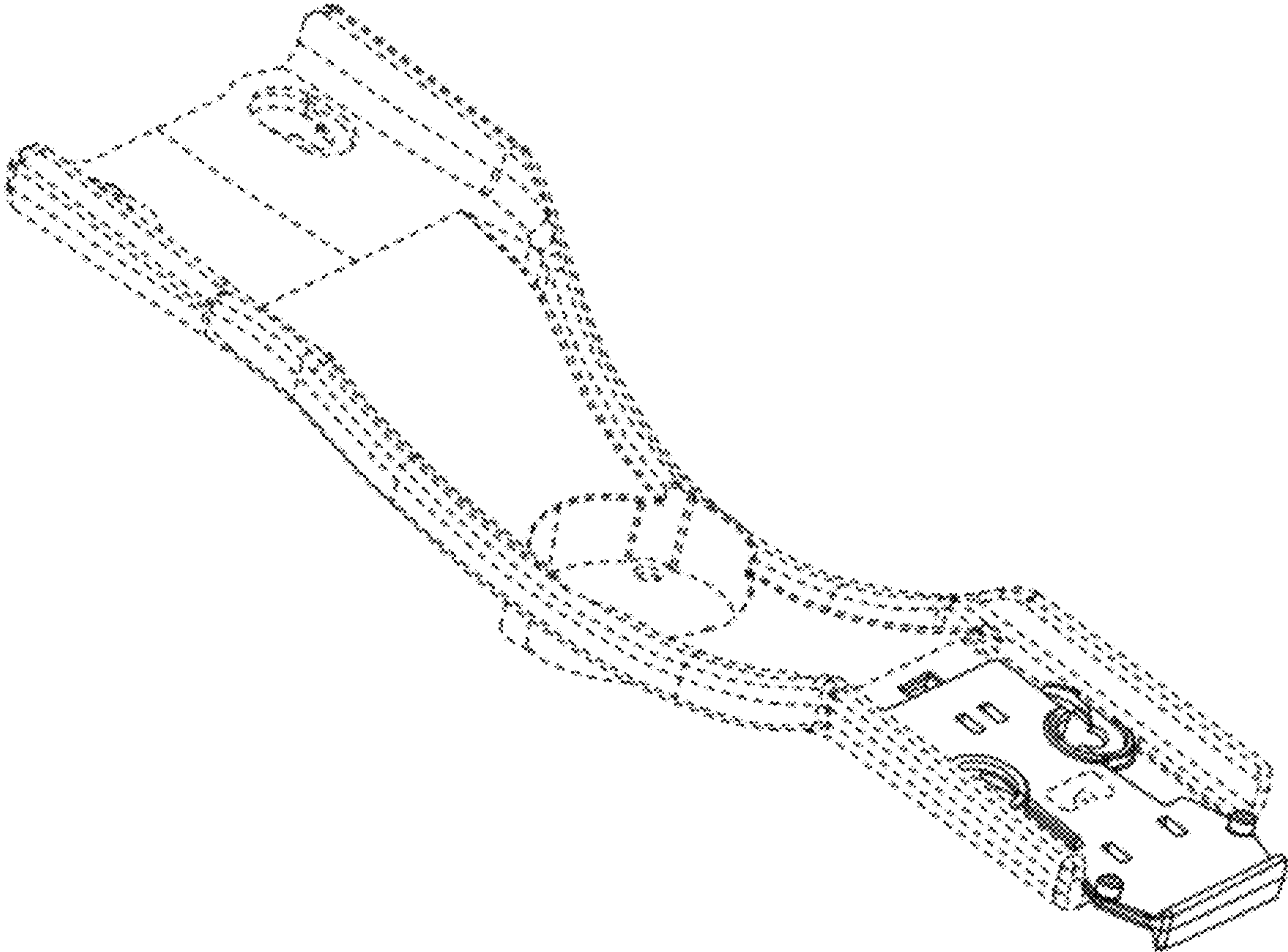


FIG. 1

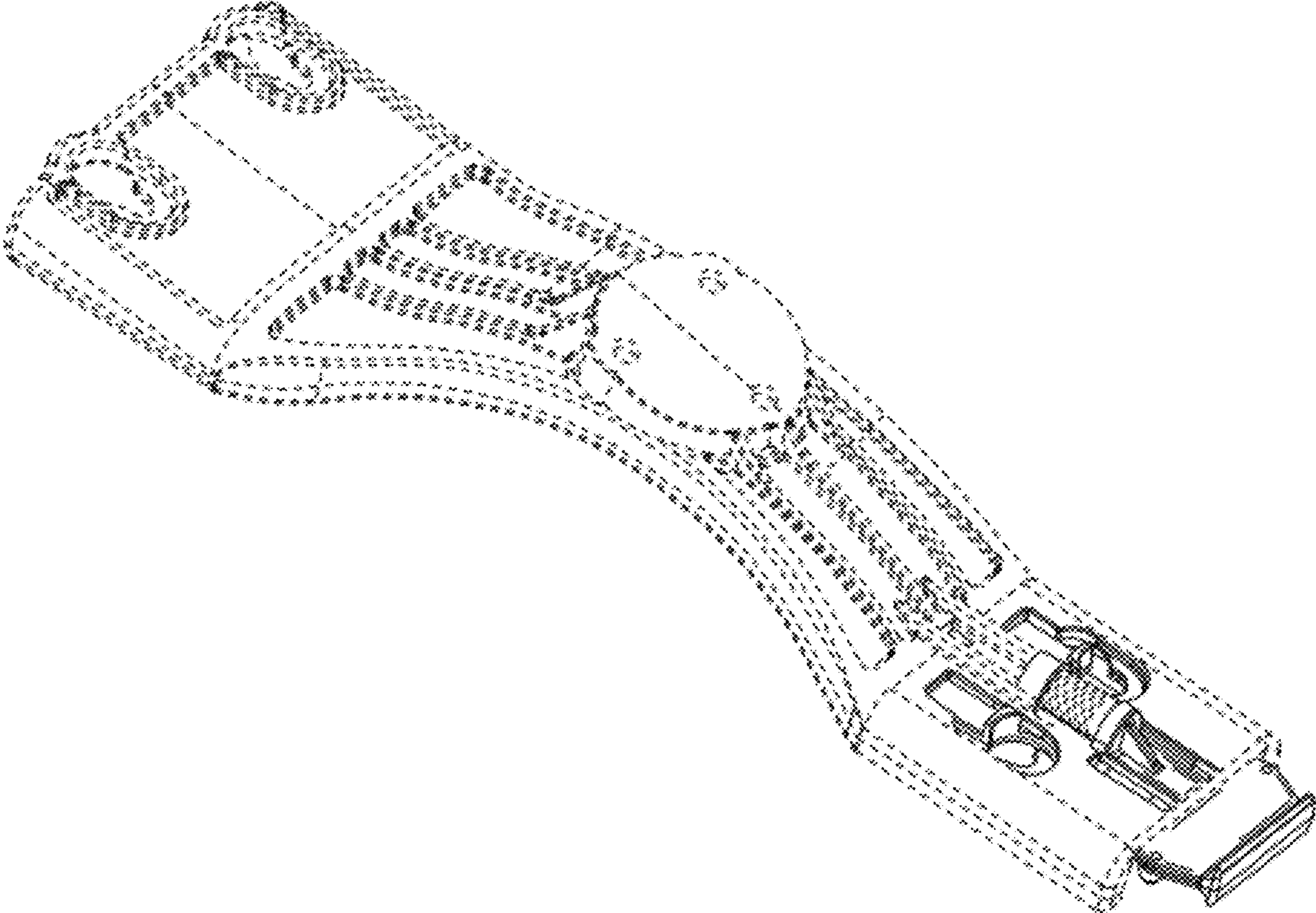


FIG. 2

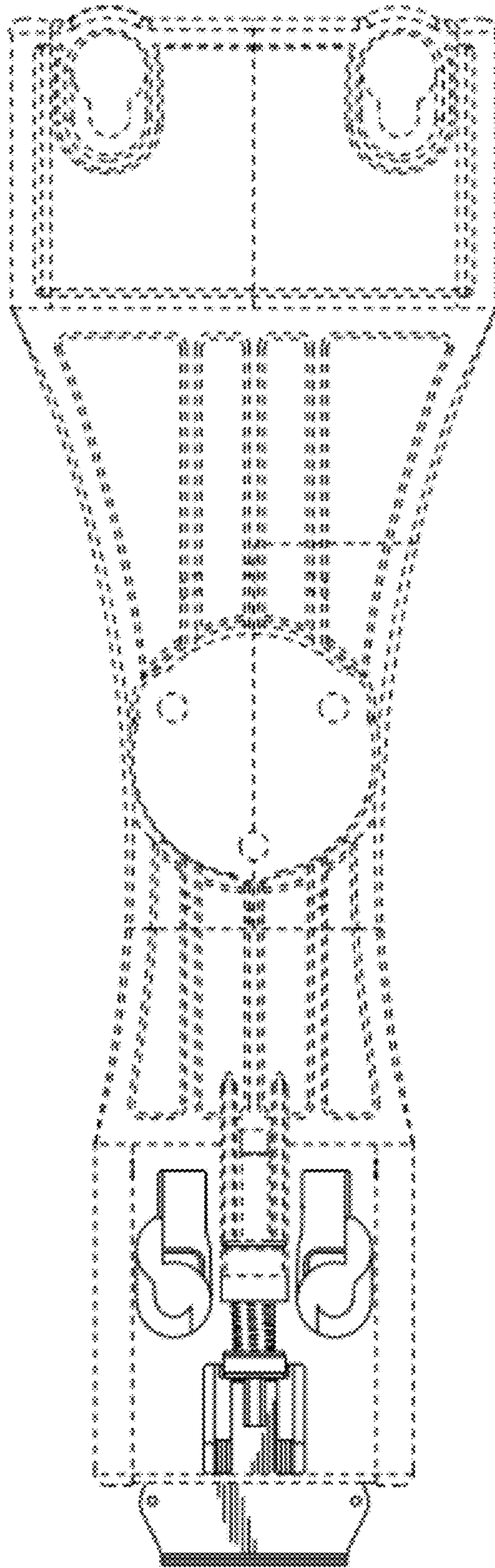


FIG. 3

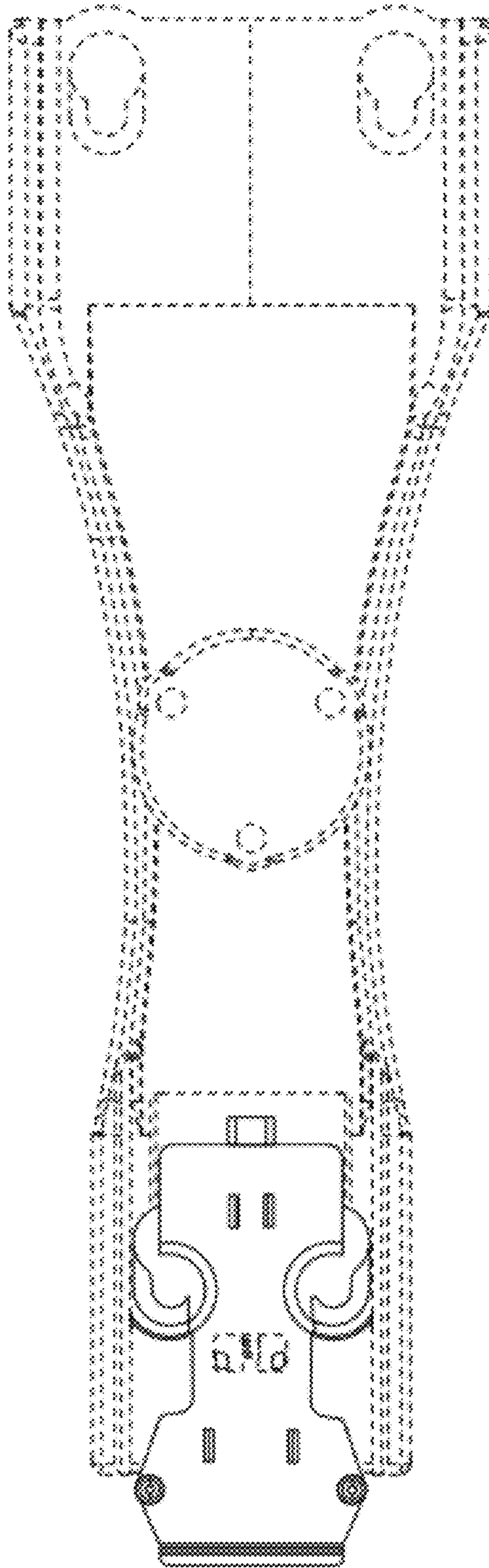


FIG. 4

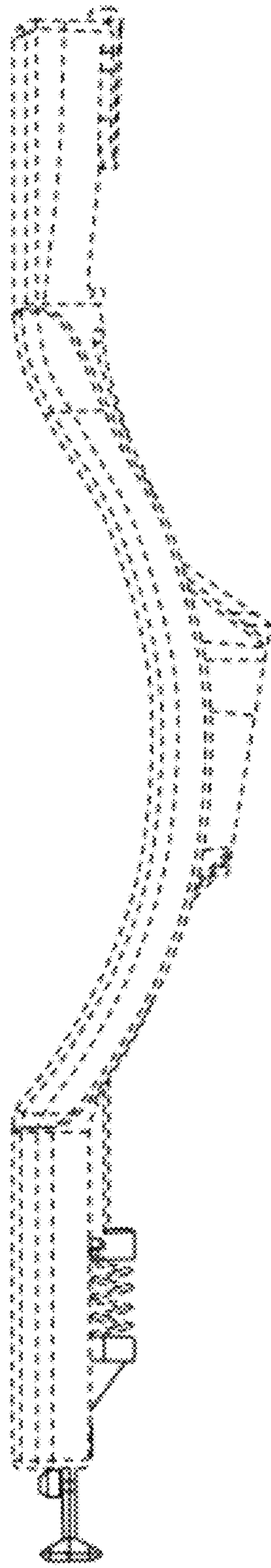


FIG. 5

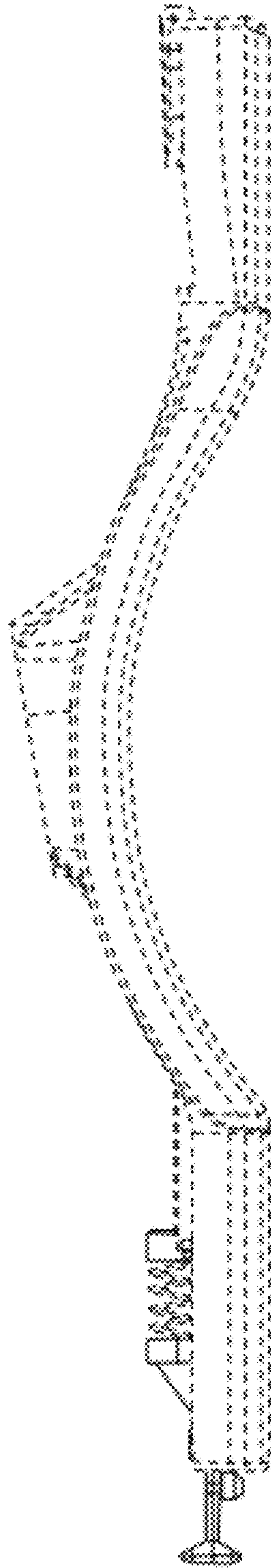


FIG. 6

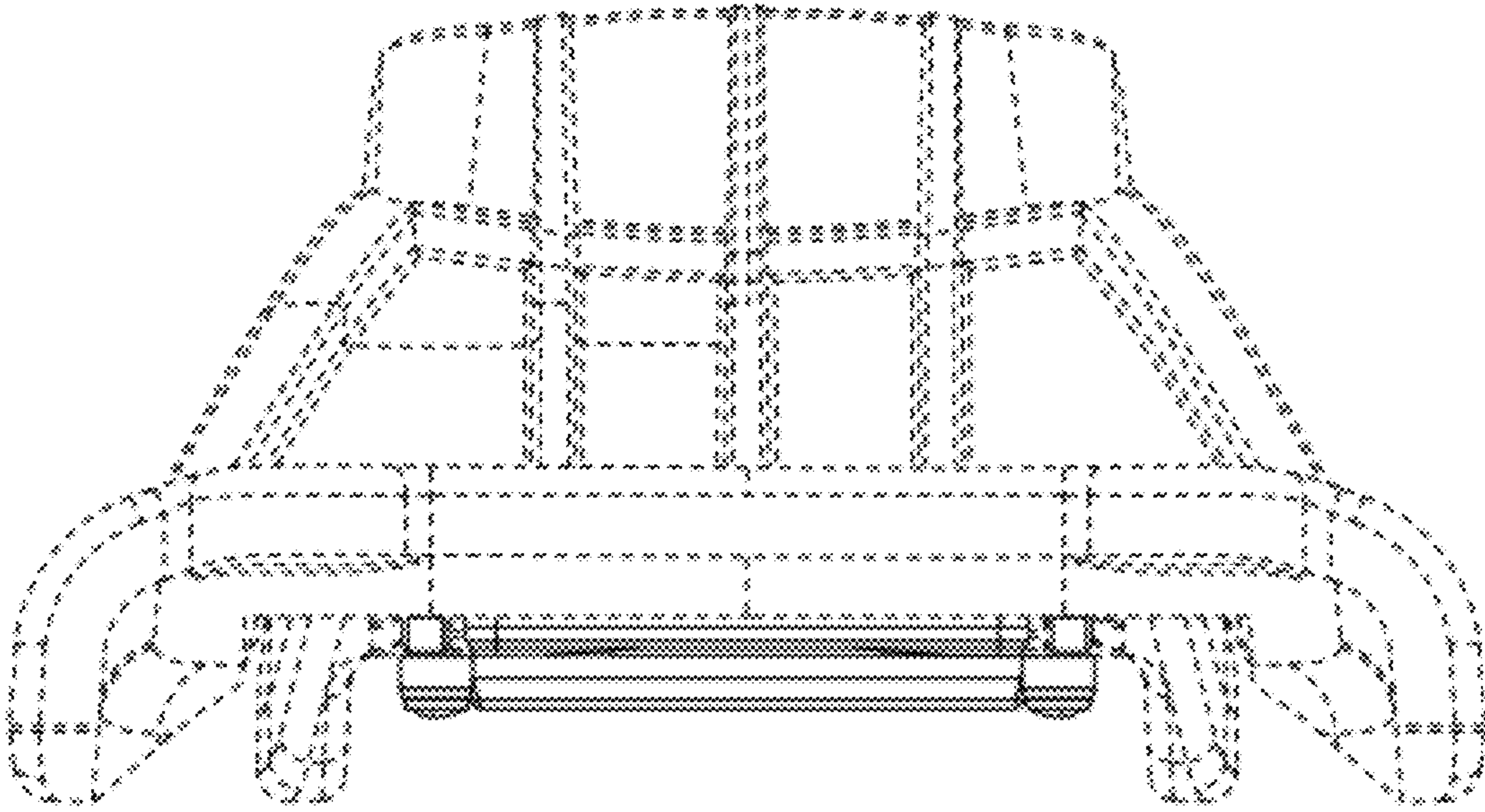


FIG. 7

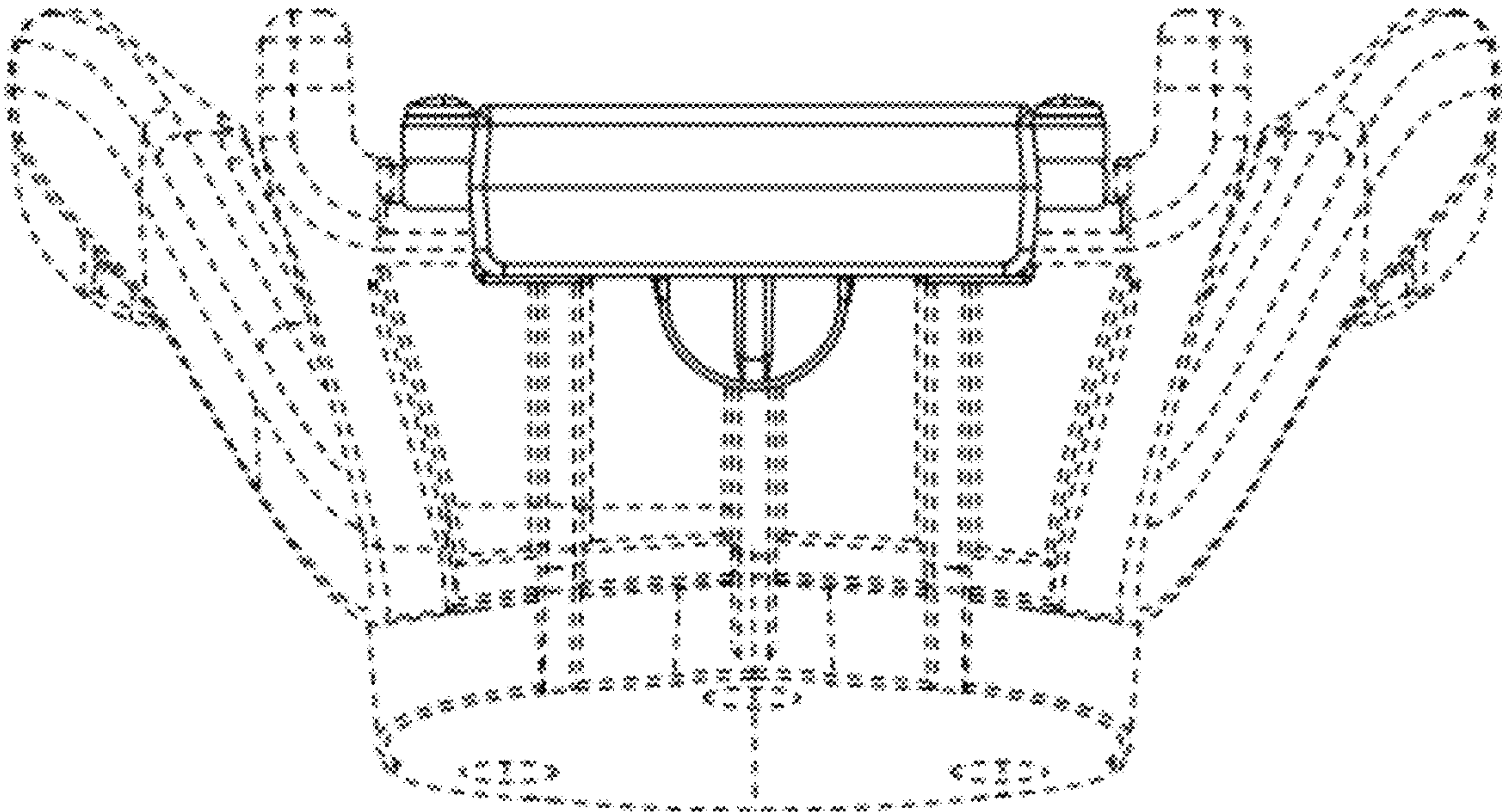


FIG. 8