



US00D669334S

(12) **United States Design Patent**  
**Tien**

(10) **Patent No.:** **US D669,334 S**

(45) **Date of Patent:** **\*\* Oct. 23, 2012**

(54) **PASSAGEWAY DOOR LOCK**

(75) Inventor: **Hung-Jen Tien**, Tainan (TW)

(73) Assignee: **I-Tek Metal Mfg. Co., Ltd.**, Tainan (TW)

(\*\*) Term: **14 Years**

(21) Appl. No.: **29/401,843**

(22) Filed: **Sep. 16, 2011**

(51) **LOC (9) Cl.** ..... **08-07**

(52) **U.S. Cl.** ..... **D8/330**

(58) **Field of Classification Search** ..... D8/300,  
D8/302, 315, 316, 319, 320, 321, 404, 330,  
D8/331, 338, 341, 349; 70/92, 450, 451,  
70/466, 57, 57.1, 141, 164, 165; 292/21,  
292/92, 93, 166, 168, 169, 227; 16/110.1,  
16/412, DIG. 5

See application file for complete search history.

(56) **References Cited**

U.S. PATENT DOCUMENTS

3,614,145	A *	10/1971	Zawadzki	.....	292/92
3,663,047	A *	5/1972	Zawadzki	.....	292/92
4,167,280	A *	9/1979	Godec et al.	.....	292/92
4,427,223	A	1/1984	Godec et al.	.....	292/92
D297,806	S *	9/1988	Mohn	.....	D8/302
4,961,330	A *	10/1990	Evans	.....	70/21
D318,410	S *	7/1991	Mohn	.....	D8/302
5,067,757	A	11/1991	Cohrs et al.	.....	292/336.3
D331,182	S *	11/1992	Hsien	.....	D8/302
5,412,961	A	5/1995	Cain et al.	.....	70/92
5,927,765	A	7/1999	Austin et al.	.....	292/92
6,205,825	B1 *	3/2001	Haeck et al.	.....	70/92
7,204,050	B2 *	4/2007	Molokotos et al.	.....	40/570
D541,633	S	5/2007	Austin et al.	.....	D8/346
D578,860	S *	10/2008	James et al.	.....	D8/302
7,469,942	B2 *	12/2008	Whitaker et al.	.....	292/92

D604,585	S *	11/2009	Veltz et al.	.....	D8/302
D623,499	S	9/2010	Tien	.....	D8/346
7,832,778	B2 *	11/2010	Whitaker et al.	.....	292/92

OTHER PUBLICATIONS

Trademark Registration No. 3,753,843 Registered Mar. 2, 2010.  
Trademark Registration No. 3,795,460 Registered Jun. 1, 2010.  
Von Duprin Parts Manual 98/99 Series Rim Exit Devices ( F ).  
Stanley Exit Devices Apex 2000 Series ( G ).  
Von Duprin XP 98/99 Rim Exit Device ( D-1 ).  
Von Duprin 98/99 Series Exit Devices ( D-3 ).  
Von Duprin 98/99 Series Exit Devices ( D-2.1 ).  
Von Duprin print advertisements in magazines, including American School and University, Buildings, Architectural Product, Construction Specifier and Doors & Hardware ( C ).

\* cited by examiner

*Primary Examiner* — Prabhakar Deshmukh

(74) *Attorney, Agent, or Firm* — Alan Kamrath; Kamrath IP Lawfirm, PA

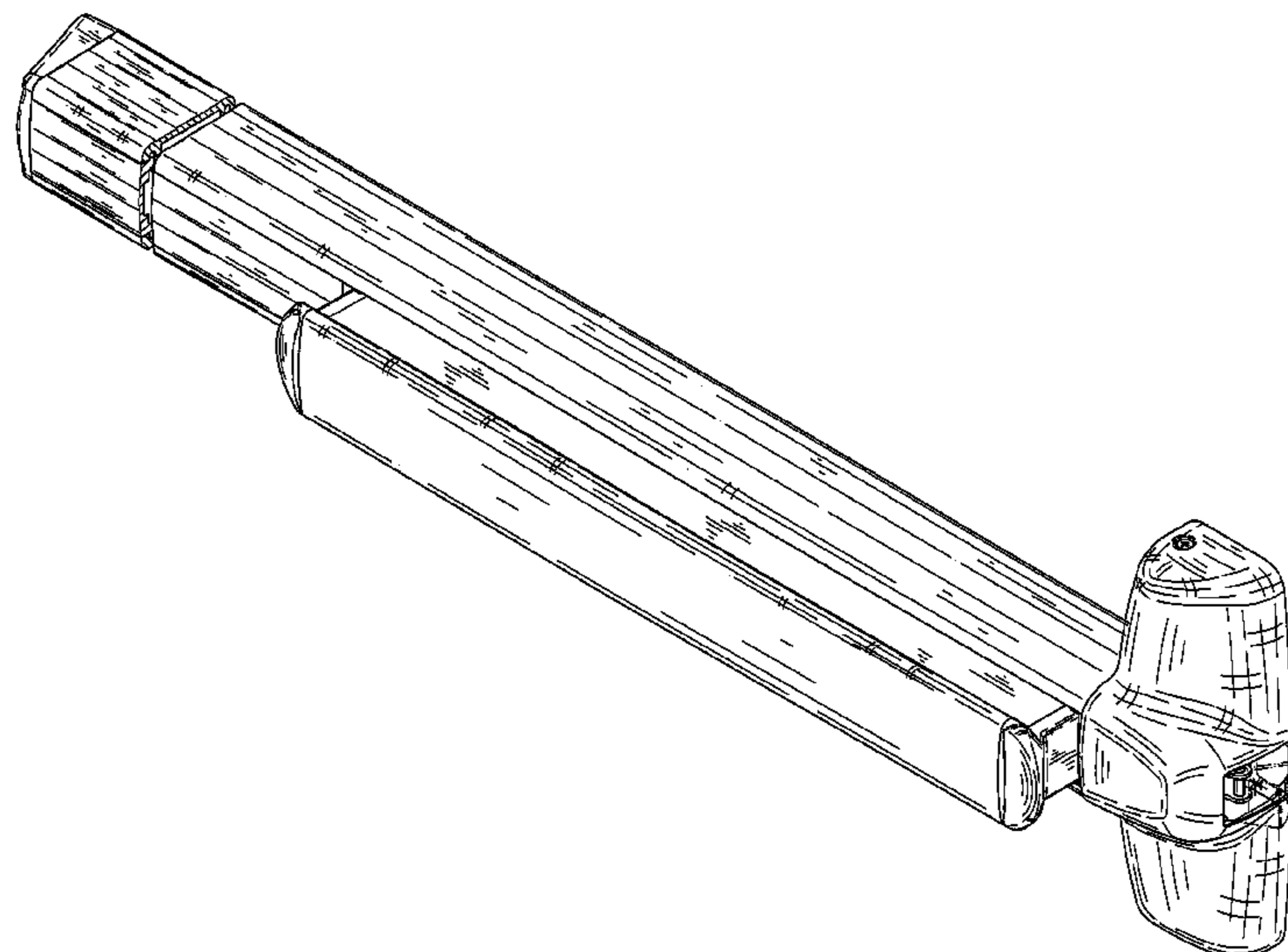
(57) **CLAIM**

The ornamental design for a passageway door lock, as shown and described.

**DESCRIPTION**

FIG. 1 is a perspective view of a passageway door lock showing my design;  
FIG. 2 is a front elevational view thereof;  
FIG. 3 is a rear elevational view thereof, with the broken lines being for illustrative purposes only and forming no part of the claimed design;  
FIG. 4 is a left elevational view thereof;  
FIG. 5 is a right elevational view thereof;  
FIG. 6 is a top plan view thereof; and,  
FIG. 7 is a bottom plan view thereof.

**1 Claim, 7 Drawing Sheets**



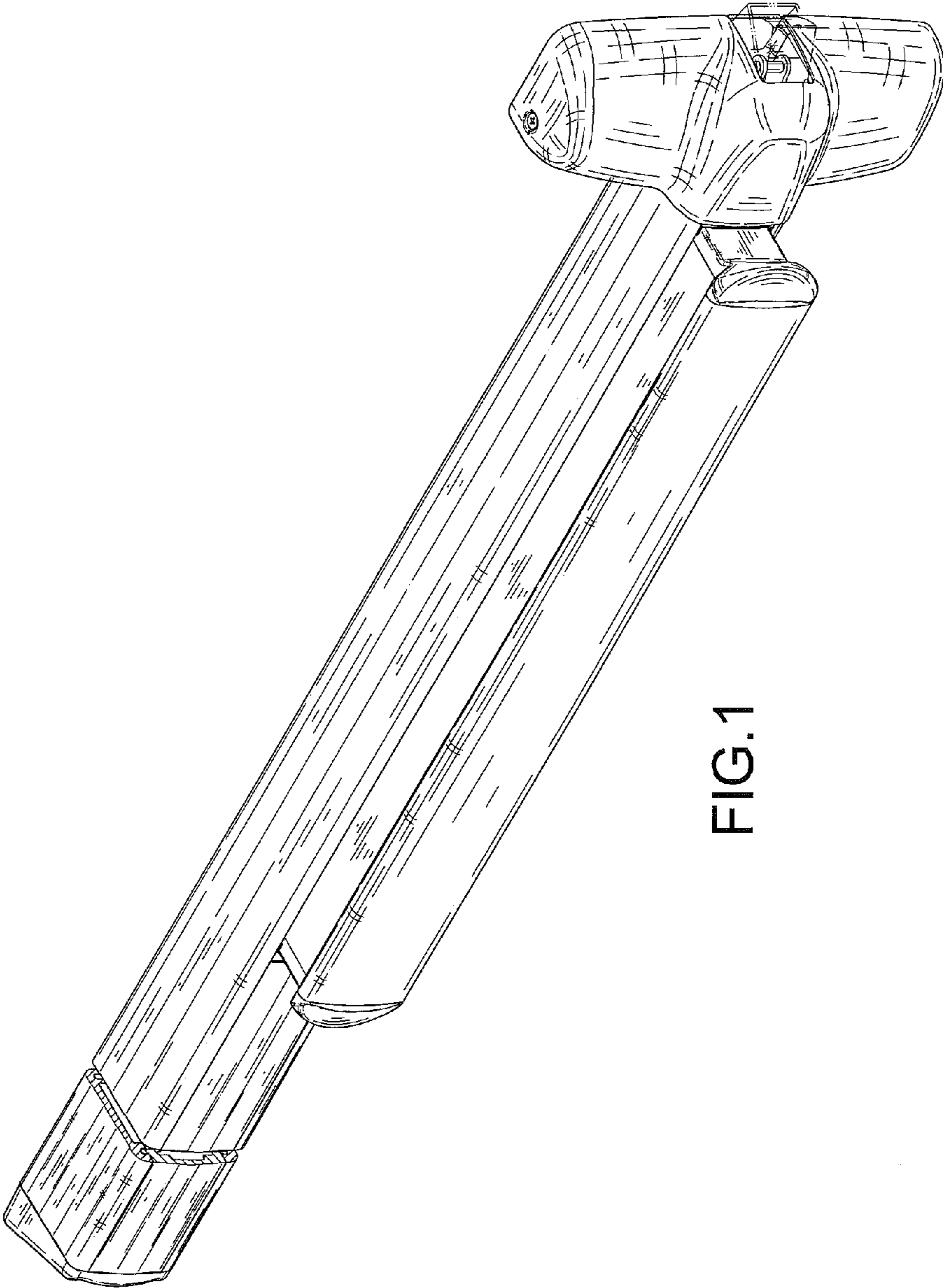


FIG.1

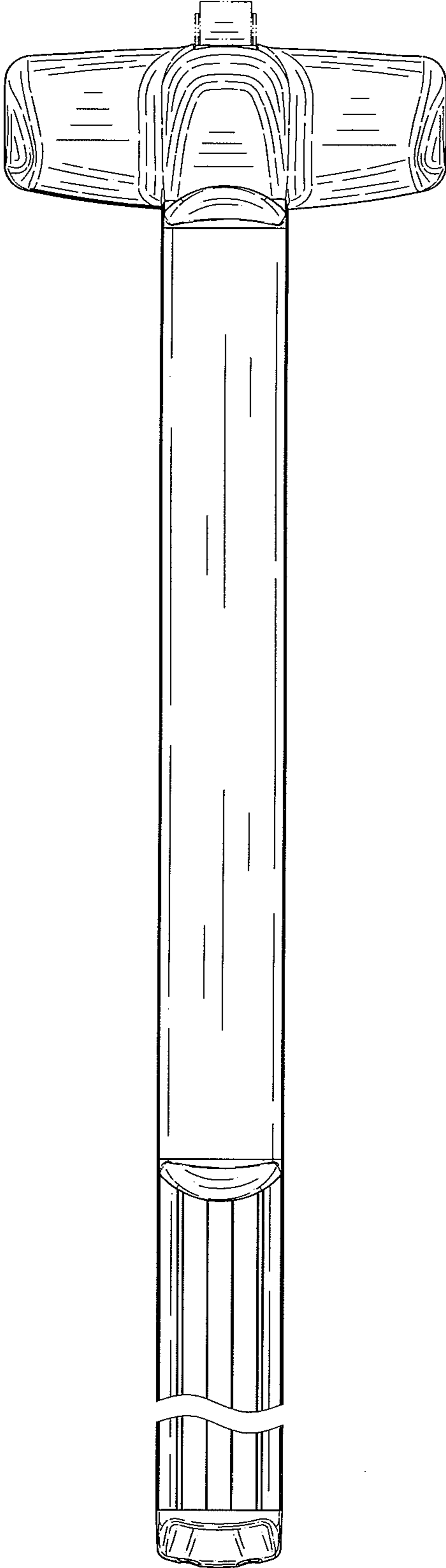


FIG. 2

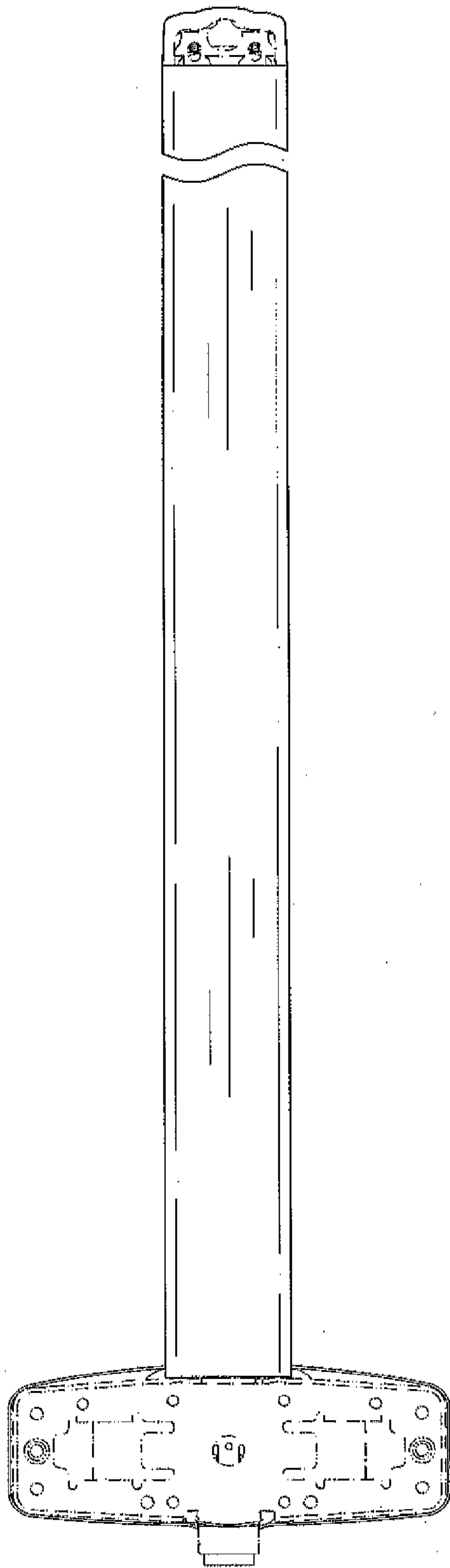


FIG.3

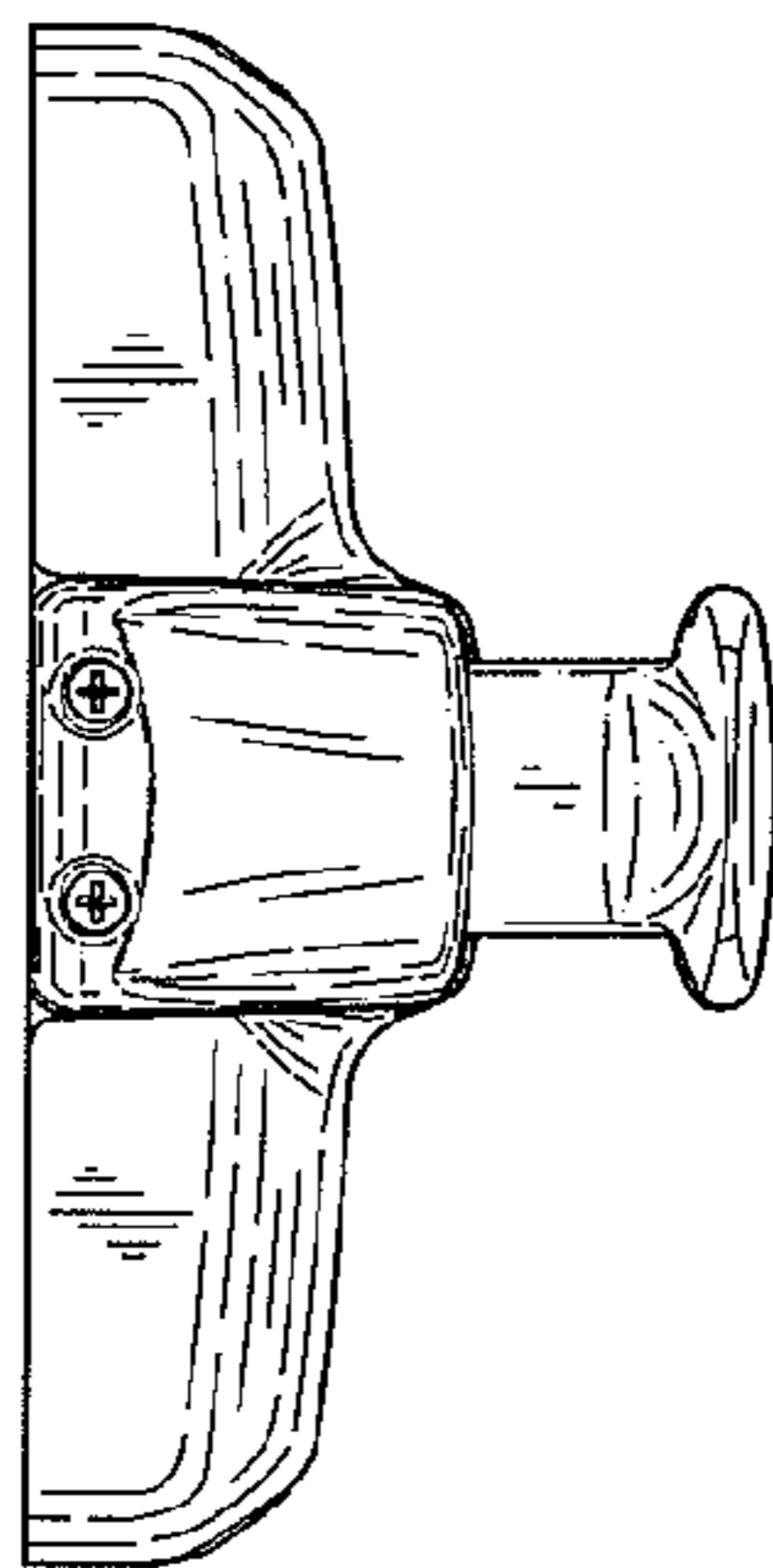


FIG.4

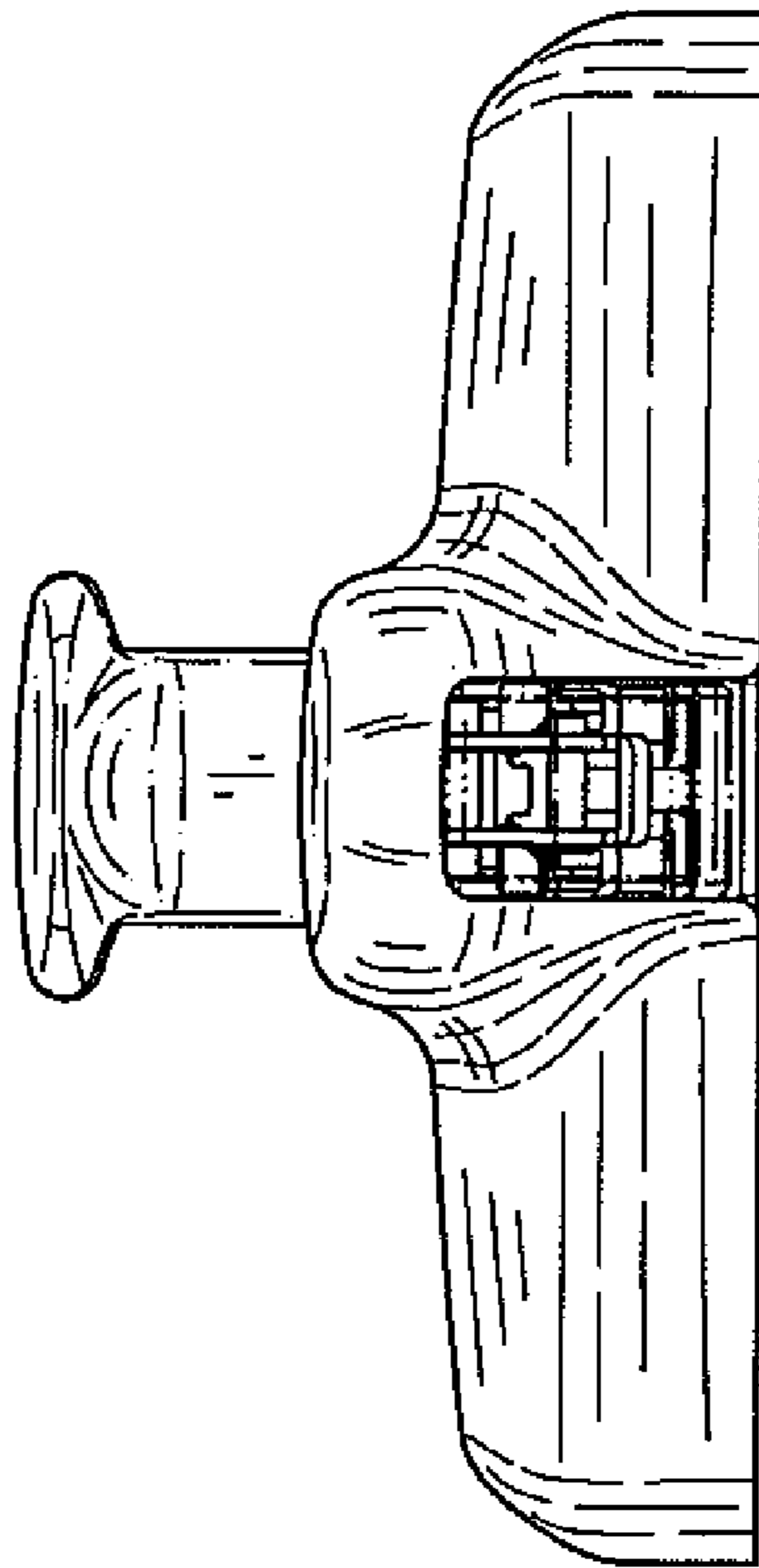


FIG. 5

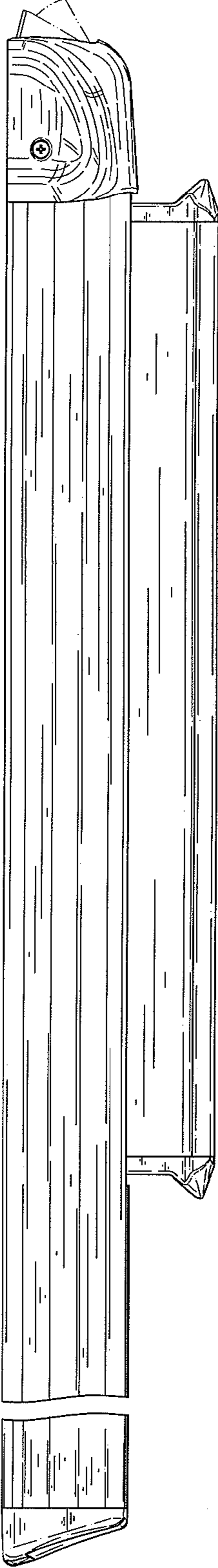


FIG.6

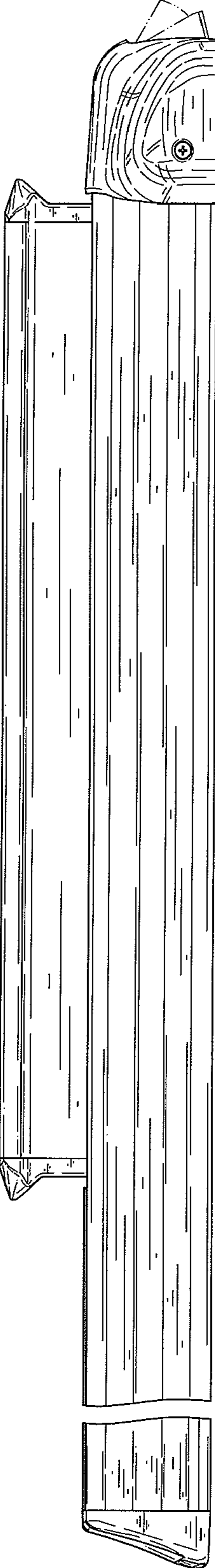


FIG. 7