



US00D669333S

(12) **United States Design Patent**  
**Tien**

(10) **Patent No.:** **US D669,333 S**  
(45) **Date of Patent:** **\*\* Oct. 23, 2012**

- (54) **PASSAGEWAY DOOR LOCK**
  - (75) Inventor: **Hung-Jen Tien**, Tainan (TW)
  - (73) Assignee: **I-Tek Metal Mfg. Co., Ltd.**, Tainan (TW)
  - (\*\*) Term: **14 Years**
  - (21) Appl. No.: **29/401,842**
  - (22) Filed: **Sep. 16, 2011**
  - (51) **LOC (9) Cl.** ..... **08-07**
  - (52) **U.S. Cl.** ..... **D8/330**
  - (58) **Field of Classification Search** ..... D8/300, D8/302, 315, 316, 319, 320, 321, 404, 330, D8/331, 338, 341, 349; 70/92, 450, 451, 70/466, 57, 57.1, 141, 164, 165; 292/21, 292/92, 93, 166, 168, 169, 227; 16/110.1, 16/412, DIG. 5
- See application file for complete search history.

- D604,585 S \* 11/2009 Veltz et al. .... D8/302
- D623,499 S 9/2010 Tien ..... D8/346
- 7,832,778 B2 \* 11/2010 Whitaker et al. .... 292/92

**OTHER PUBLICATIONS**

Von Duprin print advertisements in magazines, including *American School and University, Buildings, Architectural Product, Construction Specifier* and *Doors & Hardware (C)*.  
 Trademark Registration No. 3,753,843 Registered Mar. 2, 2010.  
 Trademark Registration No. 3,795,460 Registered Jun. 1, 2010.  
 Von Duprin Parts Manual 98/99 Series Rim Exit Devices ( F ).  
 Stanley Exit Devices Apex 2000 Series ( G ).  
 Von Duprin XP 98/99 Rim Exit Device ( D-1 ).  
 Von Duprin 98/99 Series Exit Devices ( D-3 ).  
 Von Duprin 98/99 Series Exit Devices ( D-2.1 ).

\* cited by examiner

*Primary Examiner* — Prabhakar Deshmukh  
 (74) *Attorney, Agent, or Firm* — Alan Kamrath; Kamrath IP Lawfirm, PA

(56) **References Cited**

**U.S. PATENT DOCUMENTS**

- 3,614,145 A \* 10/1971 Zawadzki ..... 292/92
- 3,663,047 A \* 5/1972 Zawadzki ..... 292/92
- 4,167,280 A \* 9/1979 Godec et al. .... 292/92
- 4,427,223 A 1/1984 Godec et al. .... 292/92
- D297,806 S \* 9/1988 Mohn ..... D8/302
- 4,961,330 A \* 10/1990 Evans ..... 70/21
- D318,410 S \* 7/1991 Mohn ..... D8/302
- 5,067,757 A 11/1991 Cohrs et al. .... 292/336.3
- D331,182 S \* 11/1992 Hsien ..... D8/302
- 5,412,961 A 5/1995 Cain et al. .... 70/92
- 5,927,765 A 7/1999 Austin et al. .... 292/92
- 6,205,825 B1 \* 3/2001 Haeck et al. .... 70/92
- 7,204,050 B2 \* 4/2007 Molokotos et al. .... 40/570
- D541,633 S 5/2007 Austin et al. .... D8/346
- D578,860 S \* 10/2008 James et al. .... D8/302
- 7,469,942 B2 \* 12/2008 Whitaker et al. .... 292/92

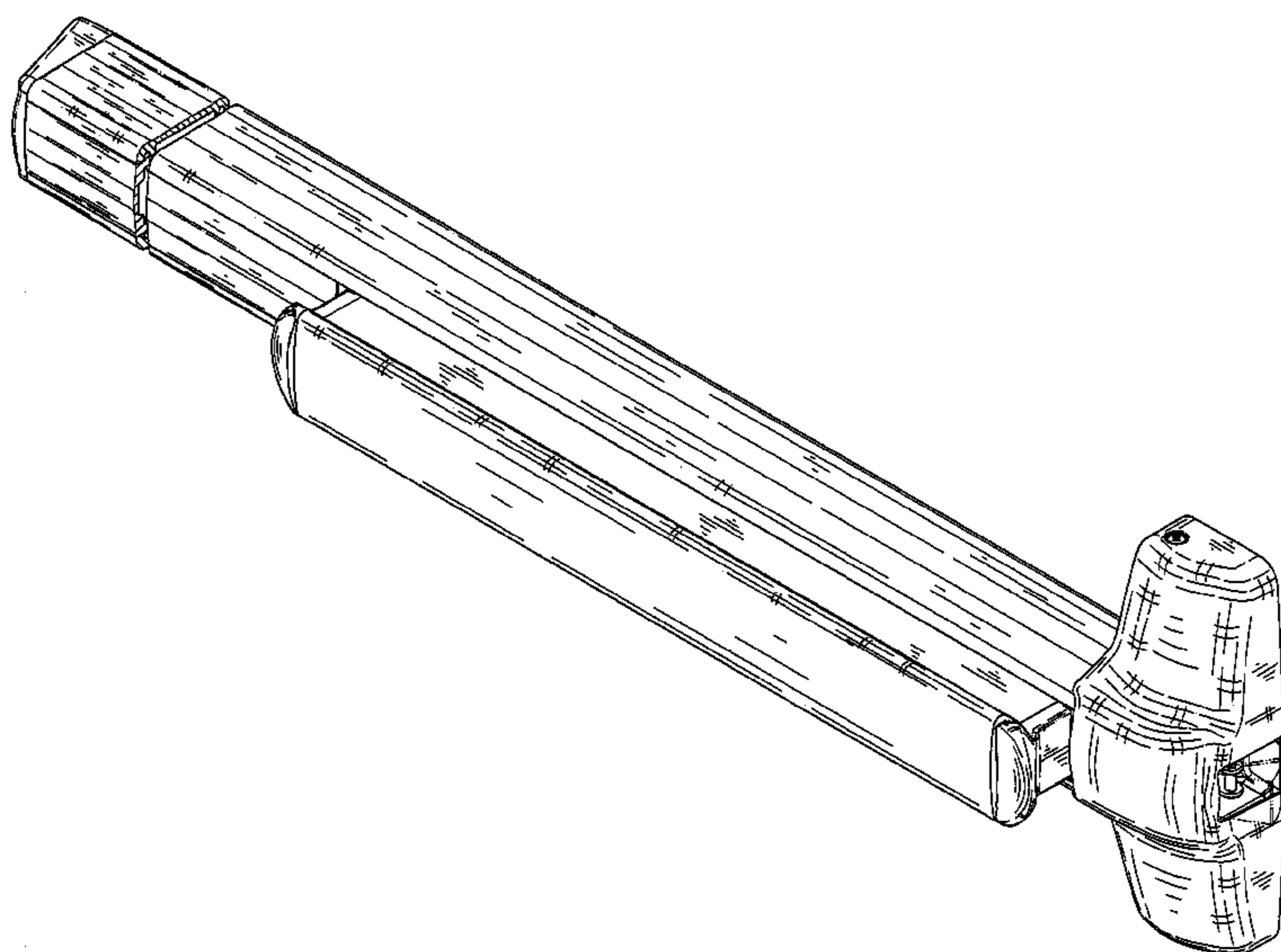
**CLAIM**

(57) The ornamental design for a passageway door lock, as shown and described.

**DESCRIPTION**

FIG. 1 is a perspective view of a passageway door lock showing my design;  
 FIG. 2 is a front elevational view thereof;  
 FIG. 3 is a rear elevational view thereof, with the broken lines being for illustrative purposes only and forming no part of the claimed design;  
 FIG. 4 is a left elevational view thereof;  
 FIG. 5 is a right elevational view thereof;  
 FIG. 6 is a top plan view thereof; and,  
 FIG. 7 is a bottom plan view thereof.

**1 Claim, 7 Drawing Sheets**



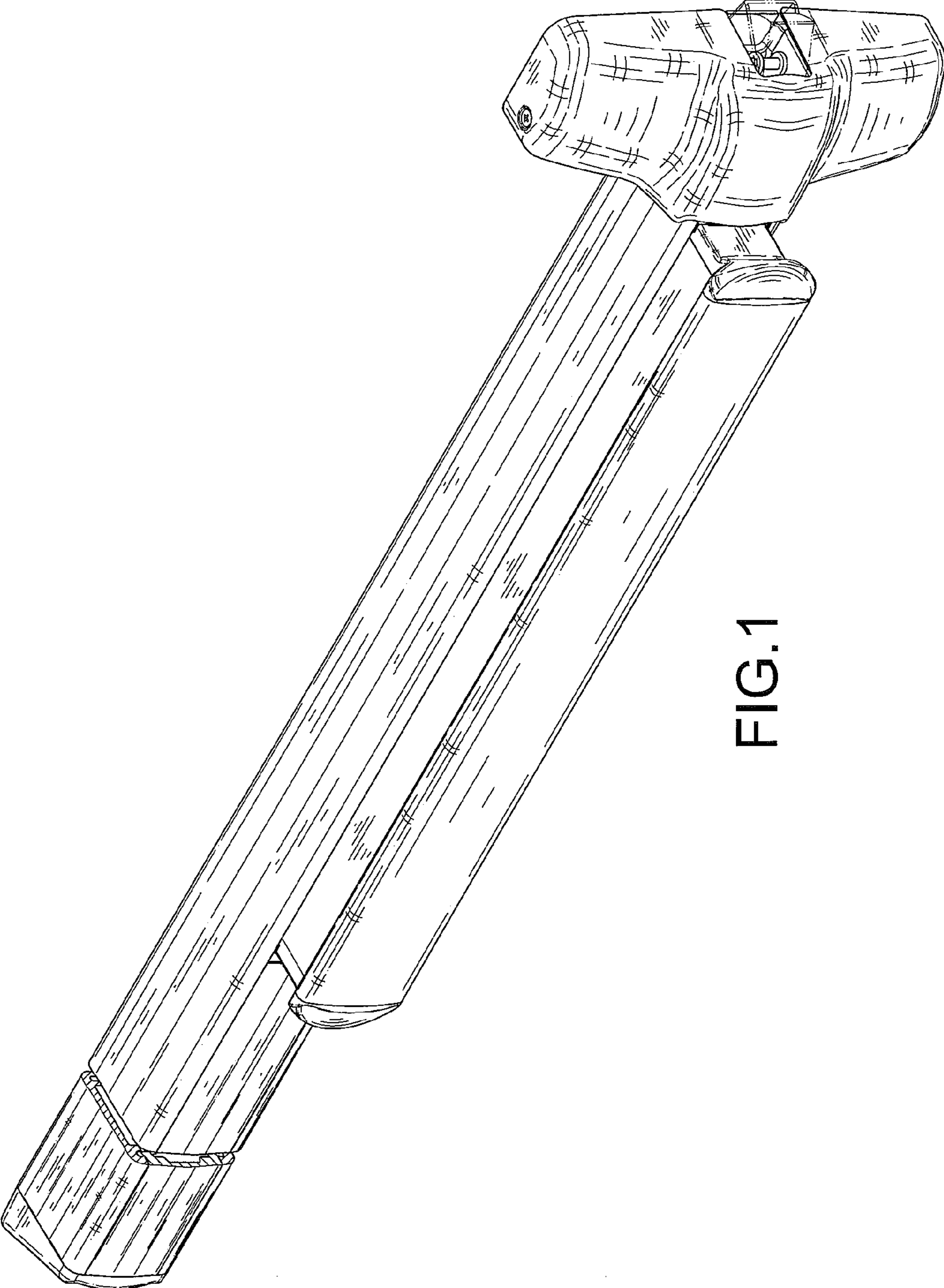


FIG.1

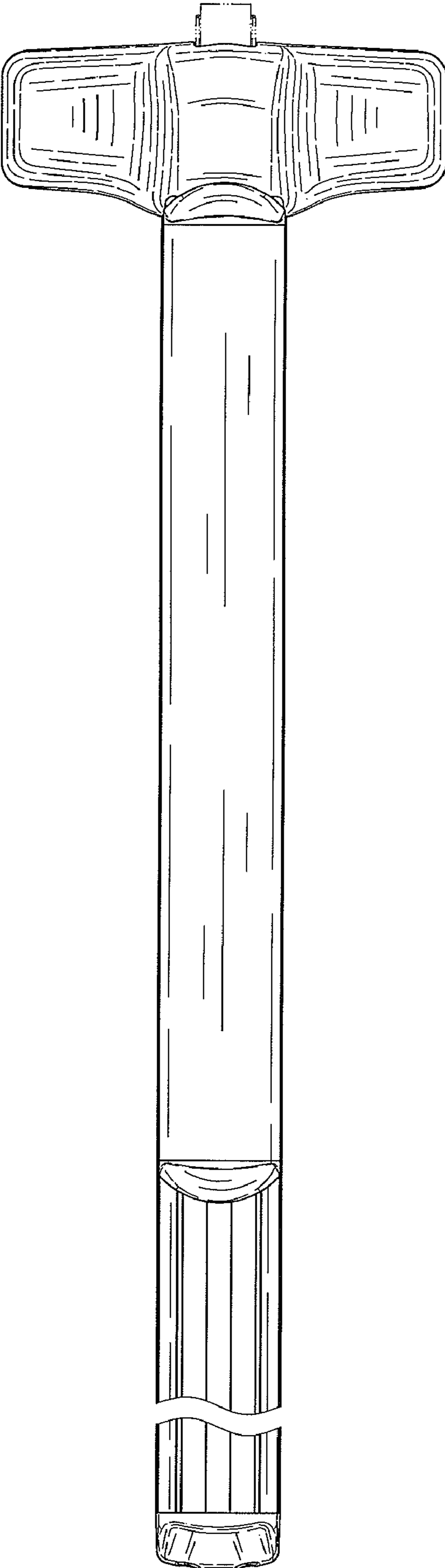


FIG.2

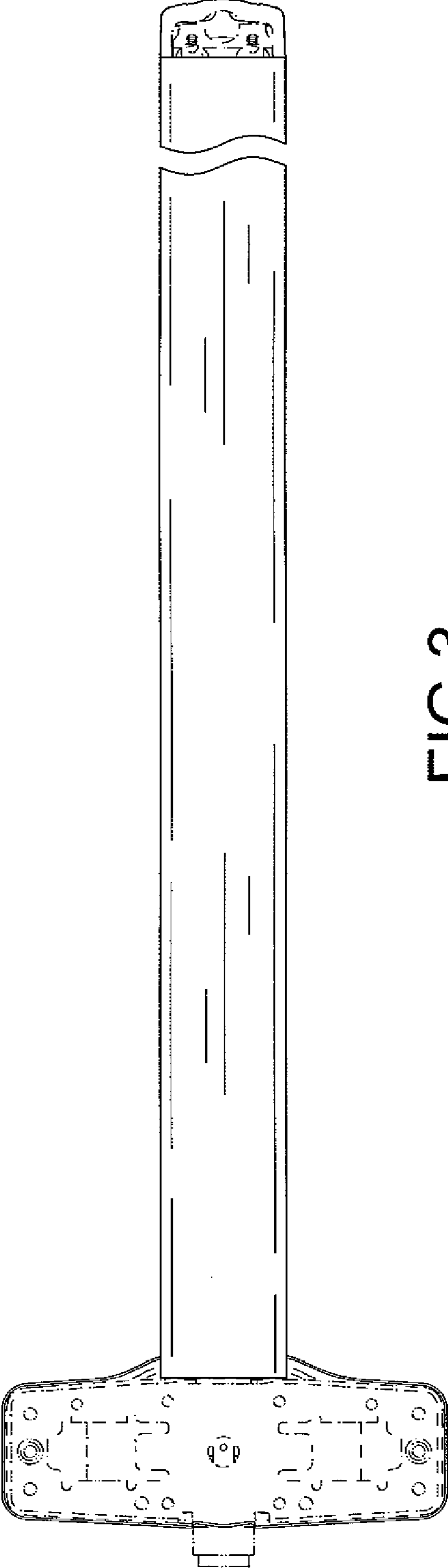
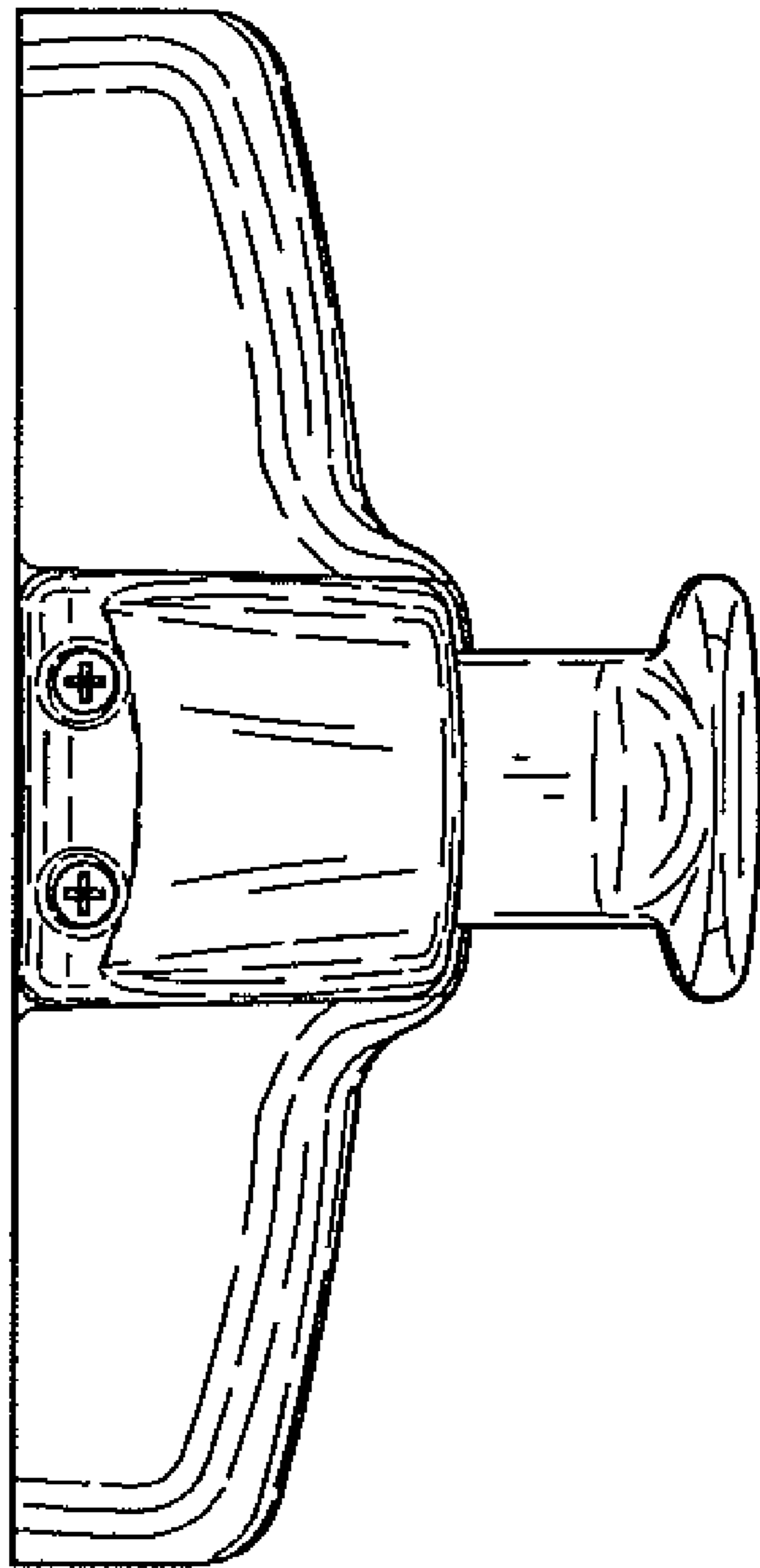


FIG.3



**FIG.4**

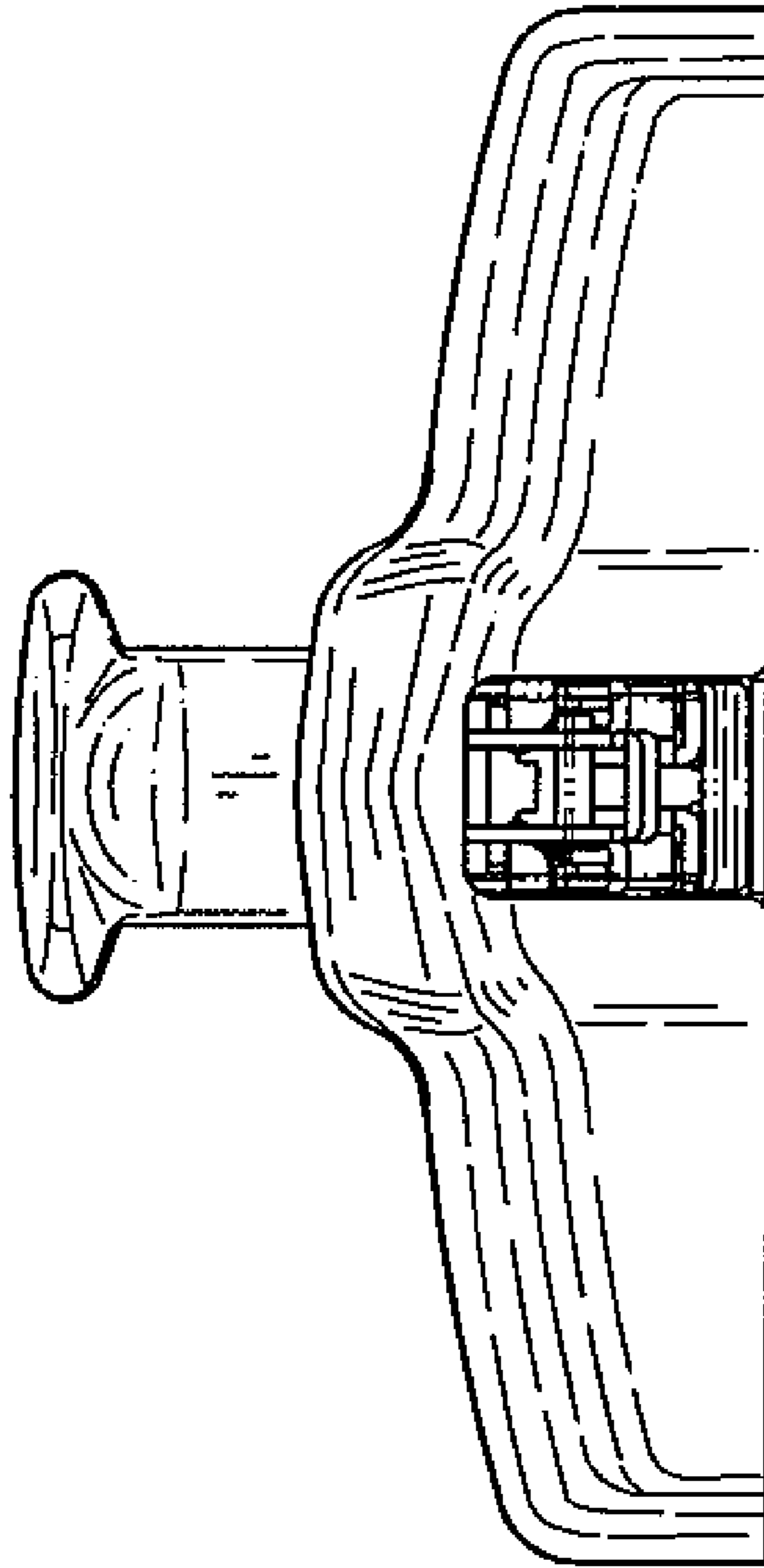


FIG. 5

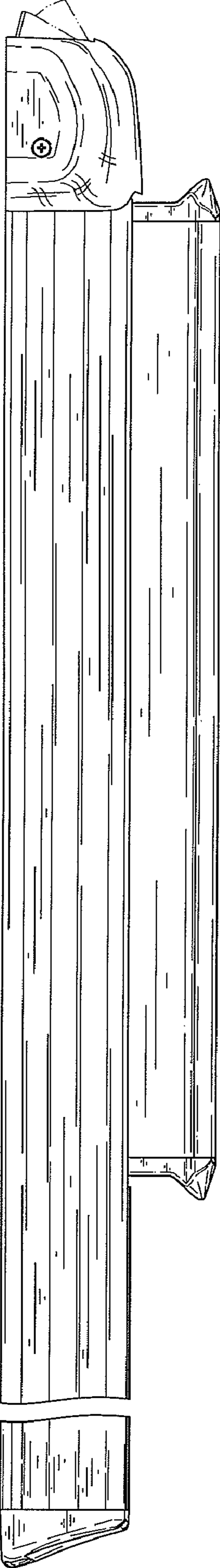


FIG.6

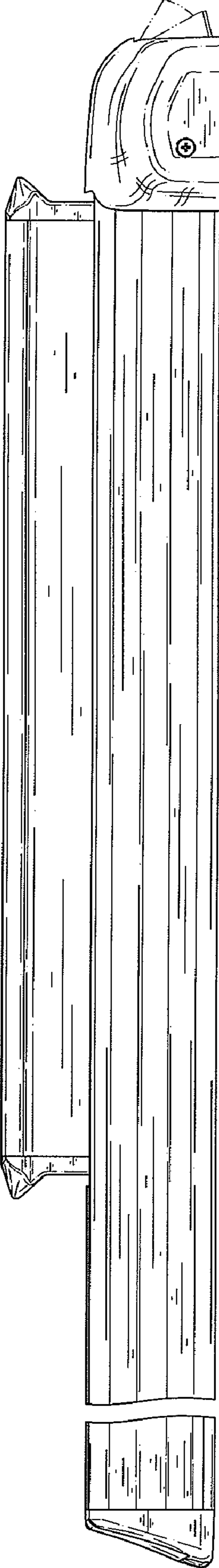


FIG.7