

US00D669330S

(12) **United States Design Patent**
Wood

(10) **Patent No.:** **US D669,330 S**

(45) **Date of Patent:** **** Oct. 23, 2012**

(54) **SLOTTED CENTERING SCREWDRIVER**

(76) **Inventor:** **Redmond Scott Wood**, Spencerville,
OH (US)

(**) **Term:** **14 Years**

(21) **Appl. No.:** **29/409,564**

(22) **Filed:** **Dec. 24, 2011**

(51) **LOC (9) Cl.** **08-04**

(52) **U.S. Cl.** **D8/82**

(58) **Field of Classification Search** D8/21,
D8/25, 29, 82-87, 107; 81/52, 177.1-177.4,
81/177.7, 489-491

See application file for complete search history.

(56) **References Cited**

U.S. PATENT DOCUMENTS

1,296,165	A	3/1919	Costuma	
1,797,390	A	3/1931	Wood	
1,971,289	A *	8/1934	Abramson et al.	74/127
D135,918	S *	7/1943	Magee	D8/82
2,324,839	A *	7/1943	Haumerson	81/177.1
2,364,849	A *	12/1944	Ibbotson et al.	144/346
D142,267	S *	8/1945	Walraven	D8/82
2,651,840	A *	9/1953	Taylor	30/151
D177,745	S *	5/1956	Moody	D8/82
3,552,452	A *	1/1971	Stigall	140/124
3,695,321	A	10/1972	Garehime, Jr.	
4,130,152	A	12/1978	Bolen	
D253,030	S *	10/1979	Breger	D8/83
4,339,971	A	7/1982	Zatorre	
D307,703	S *	5/1990	Tomasula	D8/107
5,060,993	A *	10/1991	Maier	292/241
5,244,783	A *	9/1993	Chang	430/567
5,245,749	A *	9/1993	Couch, Jr.	29/751
5,259,279	A	11/1993	Strauch	
5,353,667	A	10/1994	Wilner	
D352,648	S *	11/1994	Brewer, III	D8/87
D360,123	S *	7/1995	Shu	D8/107
D371,946	S *	7/1996	Giblin	D8/82
5,582,548	A	12/1996	Czegledi	
D398,506	S *	9/1998	Grizzaffi, Jr.	D8/82
D401,130	S *	11/1998	Maier et al.	D8/87
D405,672	S *	2/1999	Wirths	D8/86

D448,642	S *	10/2001	Hermann	D8/83
6,397,710	B1	6/2002	Baker	
D473,442	S *	4/2003	Metcalf	D8/83
D473,443	S *	4/2003	Metcalf	D8/83
D474,969	S *	5/2003	Love	D9/451
D480,618	S	10/2003	Petsorich	
D482,256	S *	11/2003	Metcalf	D8/83
D482,949	S *	12/2003	Molenaar	D8/107
D496,245	S *	9/2004	Ebert	D8/308
6,886,431	B1	5/2005	Petsorich	

(Continued)

OTHER PUBLICATIONS

Sears Craftsman Ball-Top Screwdrivers, shown as a set on p. 52 in 1980-81 Fall-Winter Catalog: Reference includes pdf of catalog cover and another pdf of p. 52.*

(Continued)

Primary Examiner — Philip S Hyder

Assistant Examiner — Roselynn Cody

(74) *Attorney, Agent, or Firm* — Christopher Wood; Premier Law Group, PLLC

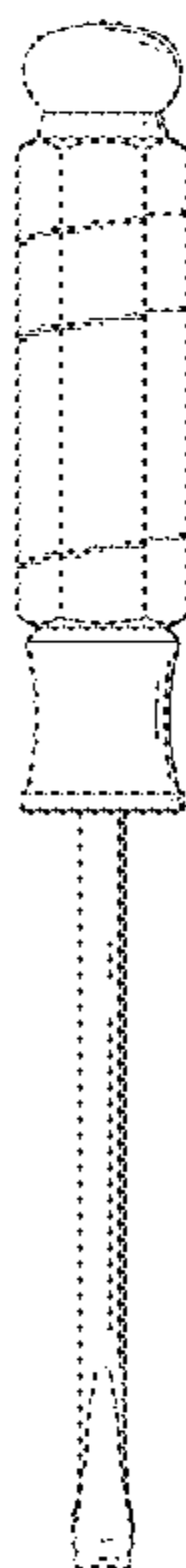
(57) **CLAIM**

The ornamental design for a slotted centering screwdriver, as shown and described.

DESCRIPTION

FIG. 1 is a perspective top view of the slotted centering screwdriver showing my new design; FIG. 2 is a perspective bottom view thereof; FIG. 3 is a top plan view thereof; FIG. 4 is a bottom plan view thereof; FIG. 5 is a front elevation view thereof; FIG. 6 is a rear elevation view thereof; FIG. 7 is a right side elevation view thereof; FIG. 8 is a left side elevation view thereof; and, FIG. 9 is an illustrative perspective view thereof. The broken lines shown in FIG. 9 are for illustrative purposes only and form no part of the claimed design.

1 Claim, 6 Drawing Sheets



US D669,330 S

Page 2

U.S. PATENT DOCUMENTS

7,040,342 B1 * 5/2006 Stehling et al. 137/382
D553,464 S * 10/2007 Rinner D8/83
7,325,470 B2 2/2008 Kay et al.
D575,128 S * 8/2008 Clampitt et al. D8/82
D575,611 S * 8/2008 Clampitt et al. D8/82
D659,501 S * 5/2012 Wood D8/86
D659,502 S * 5/2012 Wood D8/86
2007/0062046 A1 * 3/2007 Hsu 30/167

OTHER PUBLICATIONS

(Sears) Craftsman 2x8 inch Screwdriver, snagged Aug. 11, 2012 at
http://www.craftsman.com/craftsman-no-2-x-8-in-screwdriver-phillips/p-00941296000P?vName=Hand+Tools&cName=Screwdrivers&sName=Screwdrivers&prdNo=10&blockNo.*

* cited by examiner

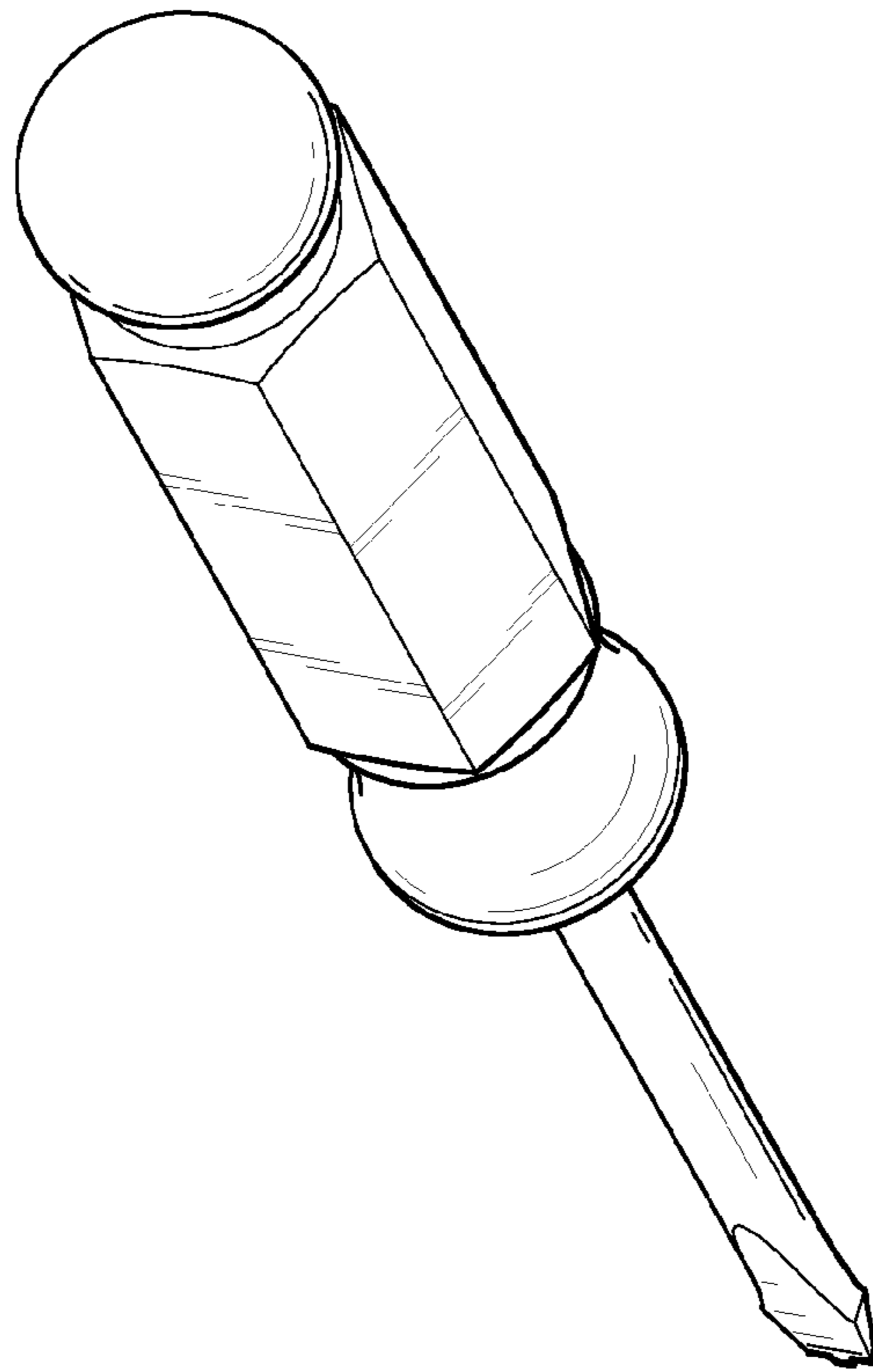


FIG. 1

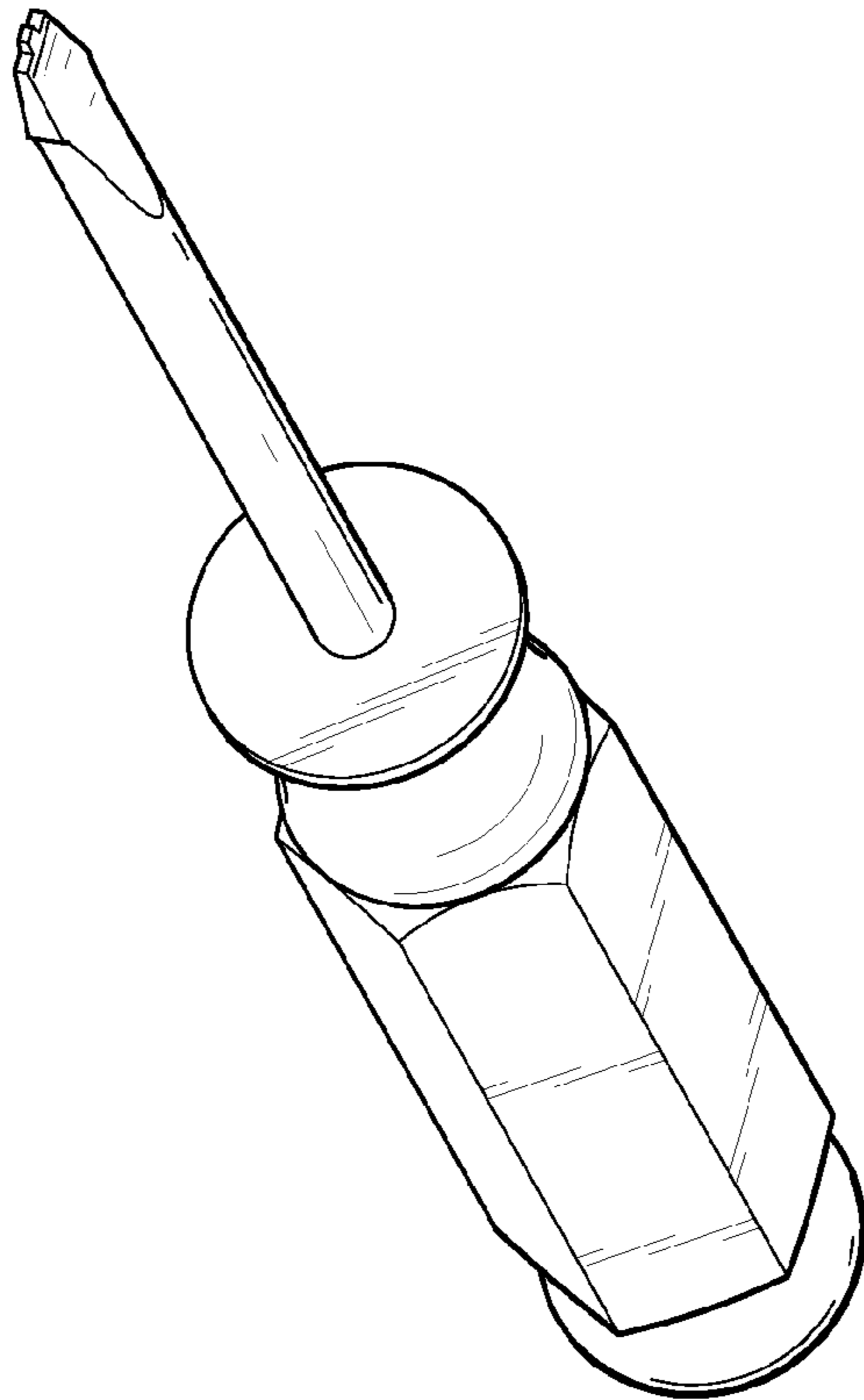


FIG. 2

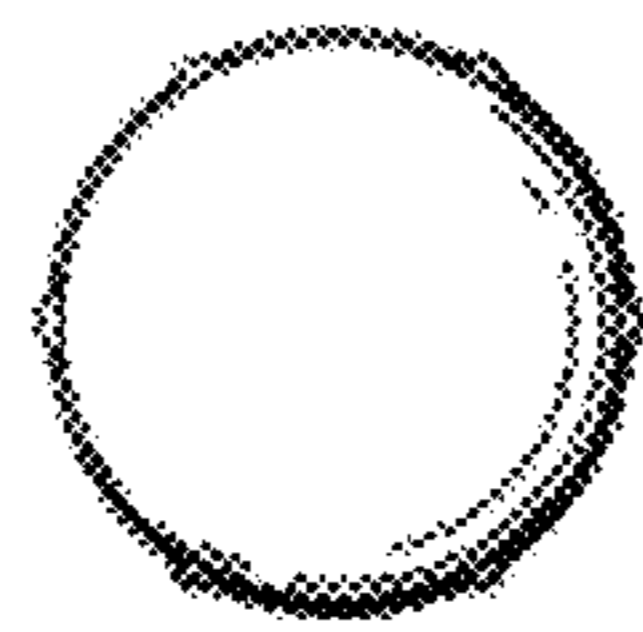


FIG. 3

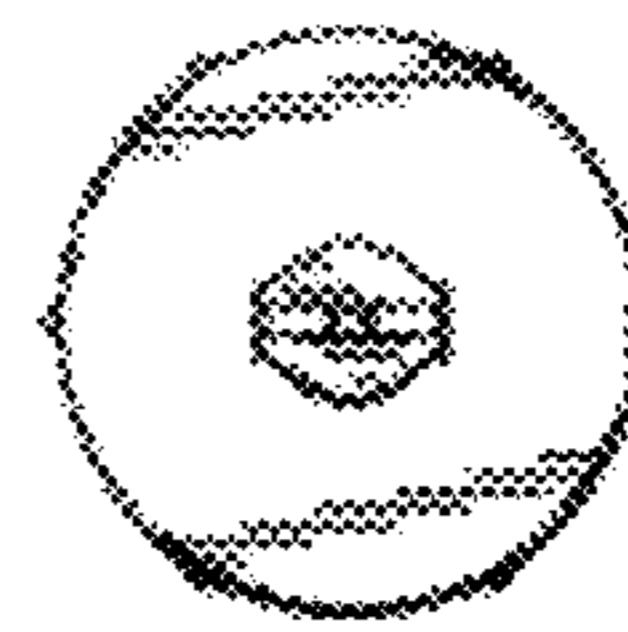


FIG. 4

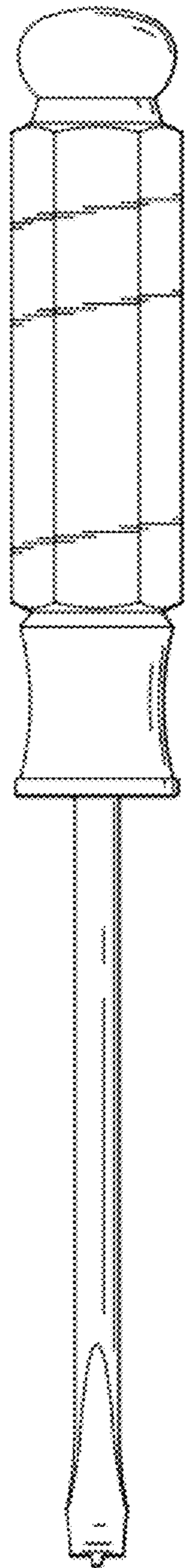


FIG. 5

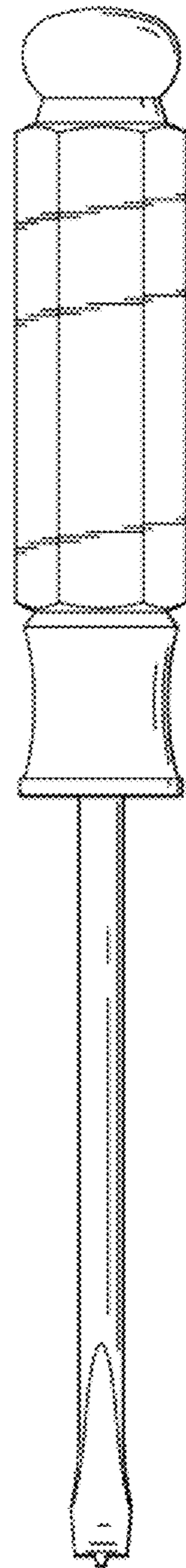


FIG. 6

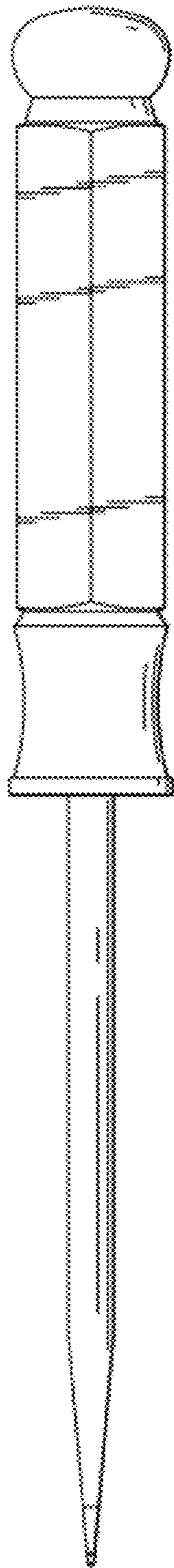


FIG. 7

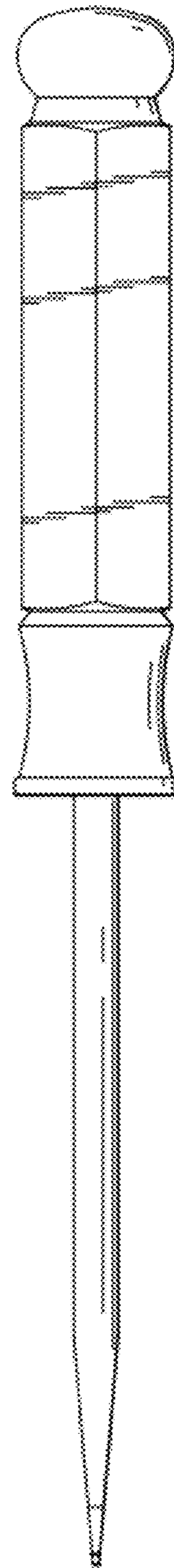


FIG. 8

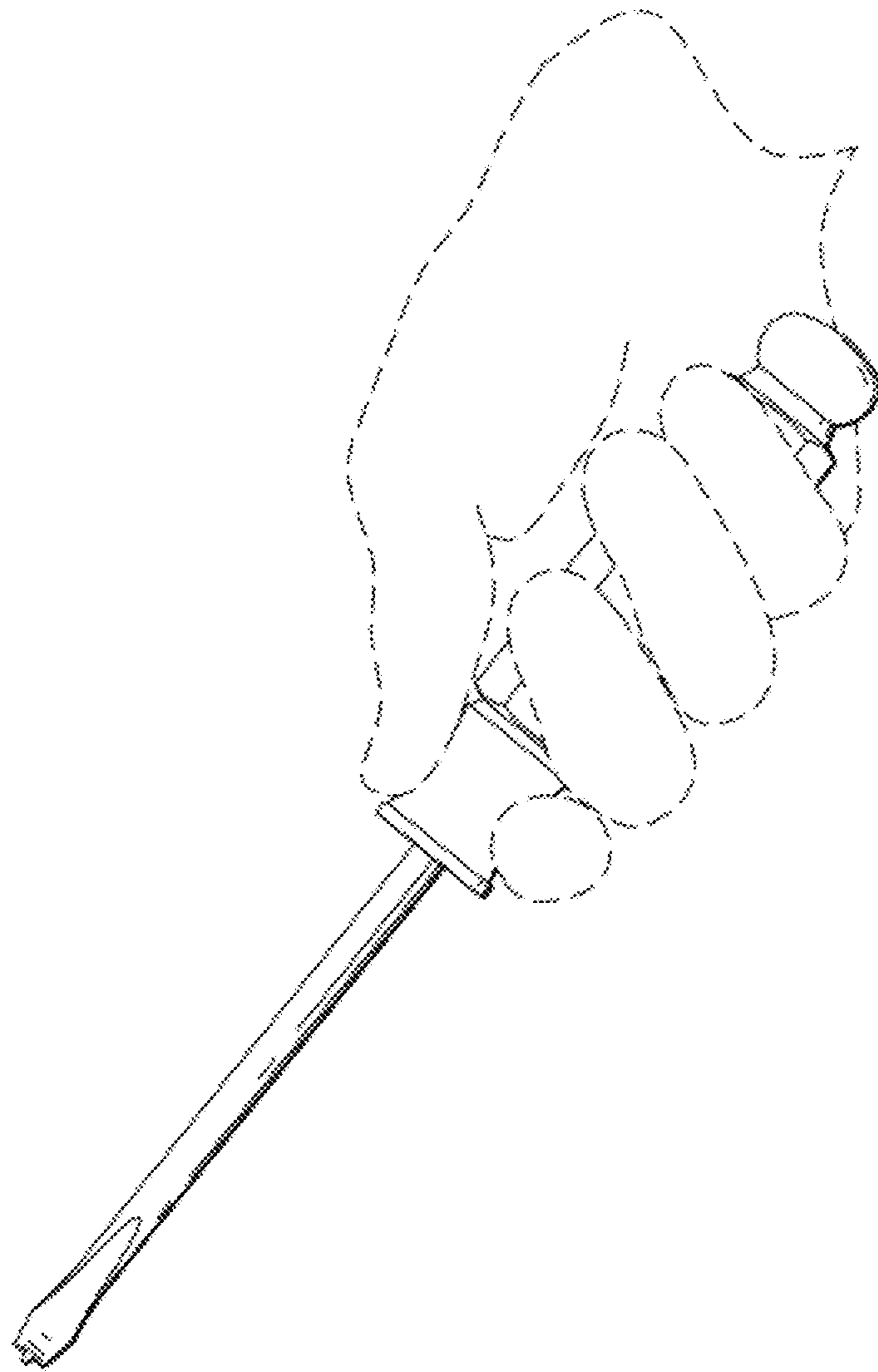


FIG. 9