

US00D669329S

(12) **United States Design Patent**  
**Tinius**

(10) **Patent No.:** **US D669,329 S**

(45) **Date of Patent:** **\*\* Oct. 23, 2012**

(54) **CUT-OFF MACHINE**

(75) Inventor: **Michael Tinius**, Ulm (DE)

(73) Assignee: **Andreas Stihl AG & Co. KG**,  
Waiblingen (DE)

(\*\*) Term: **14 Years**

(21) Appl. No.: **29/413,881**

(22) Filed: **Feb. 22, 2012**

(30) **Foreign Application Priority Data**

Aug. 25, 2011 (EM) ..... 001908468-0002

(51) **LOC (9) Cl.** ..... **08-03**

(52) **U.S. Cl.** ..... **D8/65**

(58) **Field of Classification Search** ..... D8/69,  
D8/68, 67, 66, 64, 61, 70; 83/698.41, 747,  
83/166.3, 374, 373, 375, 376, 391, 377, 390,  
83/388, 389; 30/122, 124, 329; 144/218;  
D21/532

See application file for complete search history.

(56) **References Cited**

**U.S. PATENT DOCUMENTS**

5,826,478	A *	10/1998	Zerrer	.....	83/169
5,855,067	A *	1/1999	Taomo et al.	.....	30/122
6,546,631	B2 *	4/2003	Iida et al.	.....	30/124
D530,175	S *	10/2006	Arvidsson et al.	.....	D8/66
7,137,877	B2 *	11/2006	Uhl et al.	.....	451/358
D533,039	S *	12/2006	Arvidsson et al.	.....	D8/66

D533,757	S *	12/2006	Arvidsson et al.	.....	D8/66
D561,551	S *	2/2008	Tinius	.....	D8/66
D579,742	S *	11/2008	Arvidsson et al.	.....	D8/66
D596,912	S *	7/2009	Arvidsson et al.	.....	D8/66
D609,070	S *	2/2010	Tinius	.....	D8/62
D640,110	S *	6/2011	Tinius	.....	D8/65

\* cited by examiner

*Primary Examiner* — Austin Murphy

(74) *Attorney, Agent, or Firm* — McGuireWoods LLP

(57) **CLAIM**

I claim the ornamental design for a cut-off machine, as shown and described.

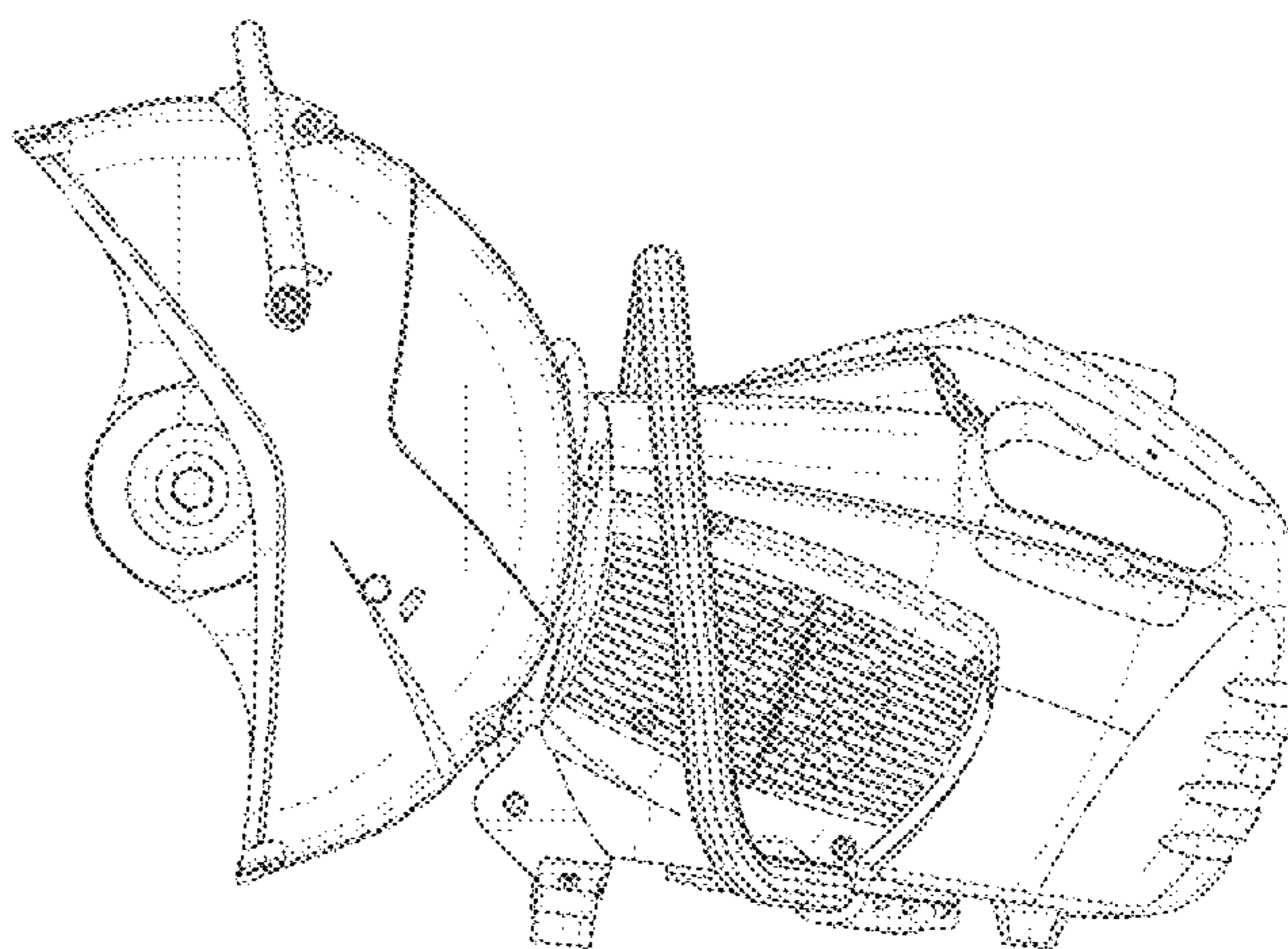
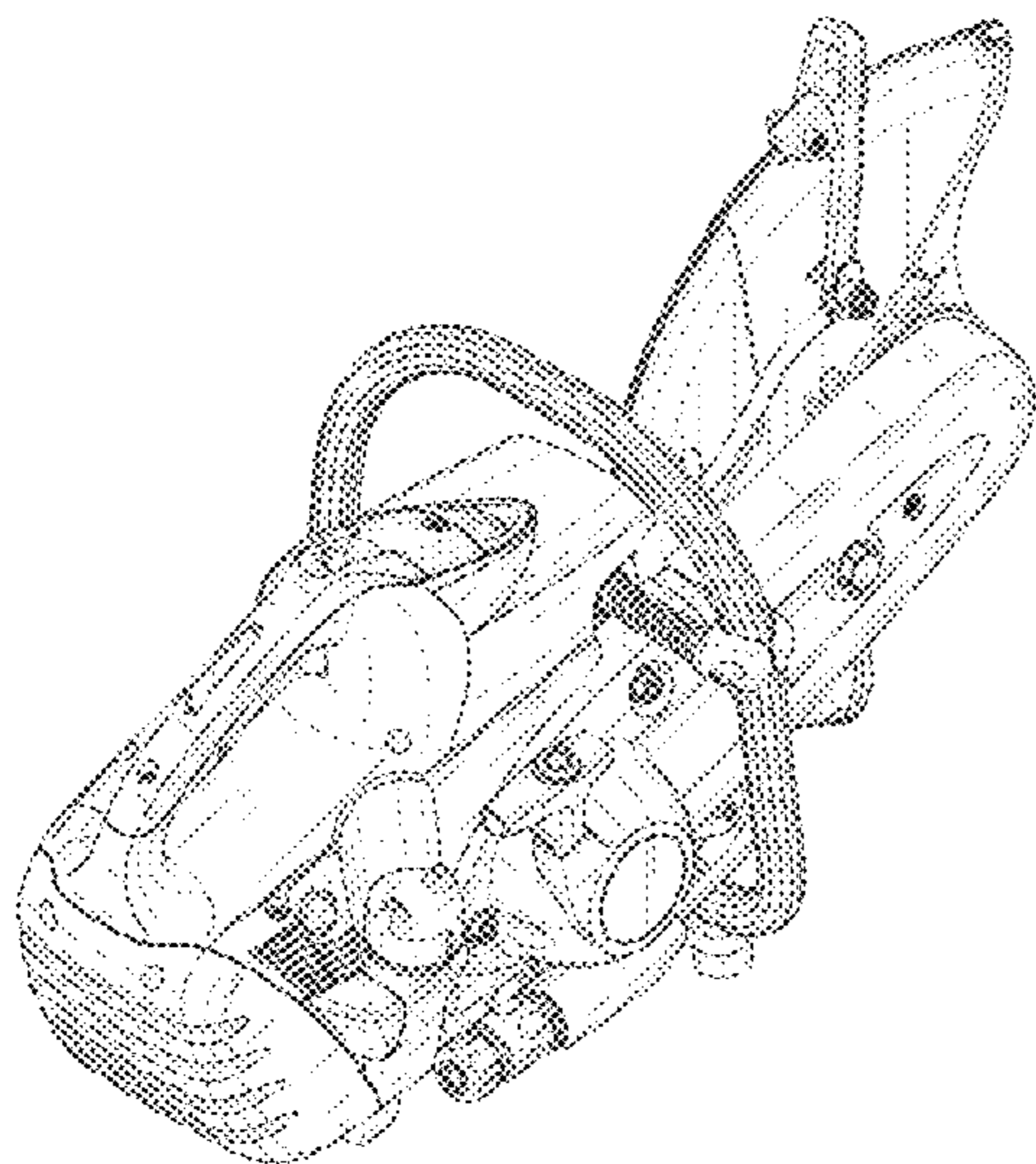
**DESCRIPTION**

FIG. 1 is a right perspective view of the cut-off machine;  
FIG. 2 is a front view of the cut-off machine shown in FIG. 1;  
FIG. 3 is a rear view of the cut-off machine shown in FIG. 1;  
FIG. 4 is a right side view of the cut-off machine shown in FIG. 1;  
FIG. 5 is a left side view of the cut-off machine shown in FIG. 1;  
FIG. 6 is a top view of the cut-off machine. shown in FIG. 1;  
and,  
FIG. 7 is a bottom view of the cut-off machine shown in FIG. 1.

The subject matter shown in dashed lines, and any surfaces of the design not shown, including interior surfaces, form no part of the claimed invention.

The broken lines shown in the drawings represent unclaimed portions of the cut-off machine and form no part of the claimed design.

**1 Claim, 7 Drawing Sheets**



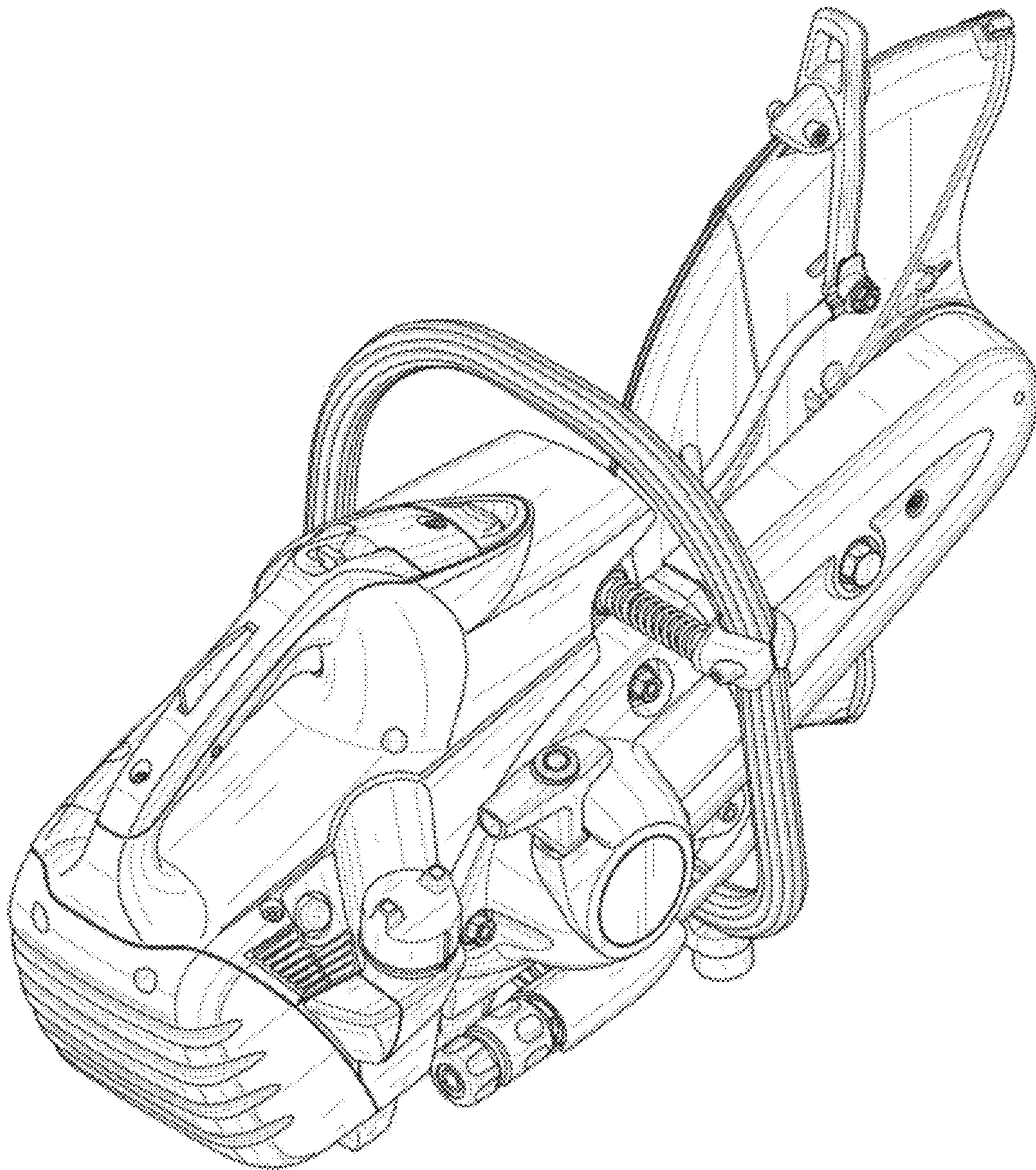


FIG. 1

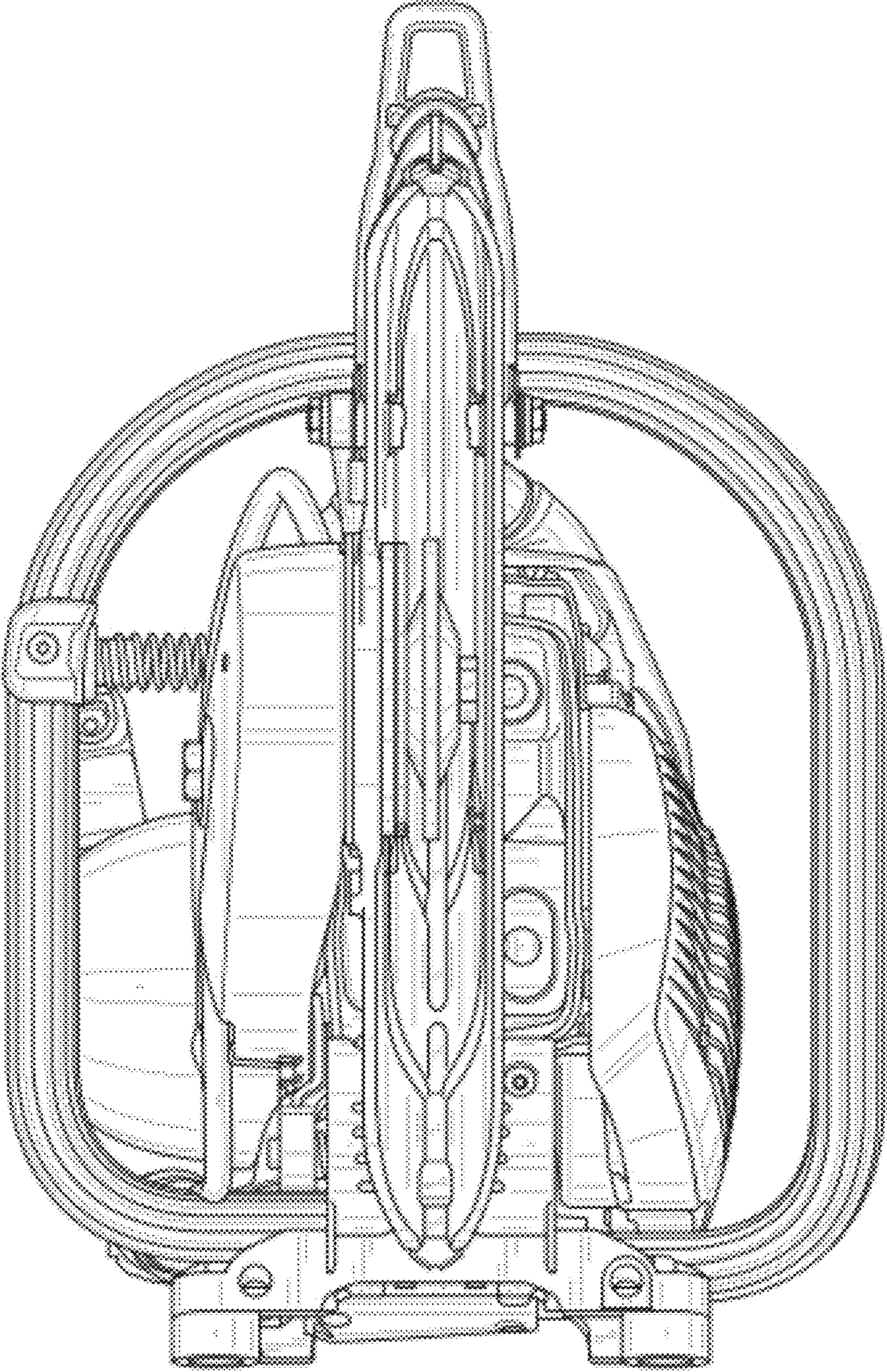


FIG. 2

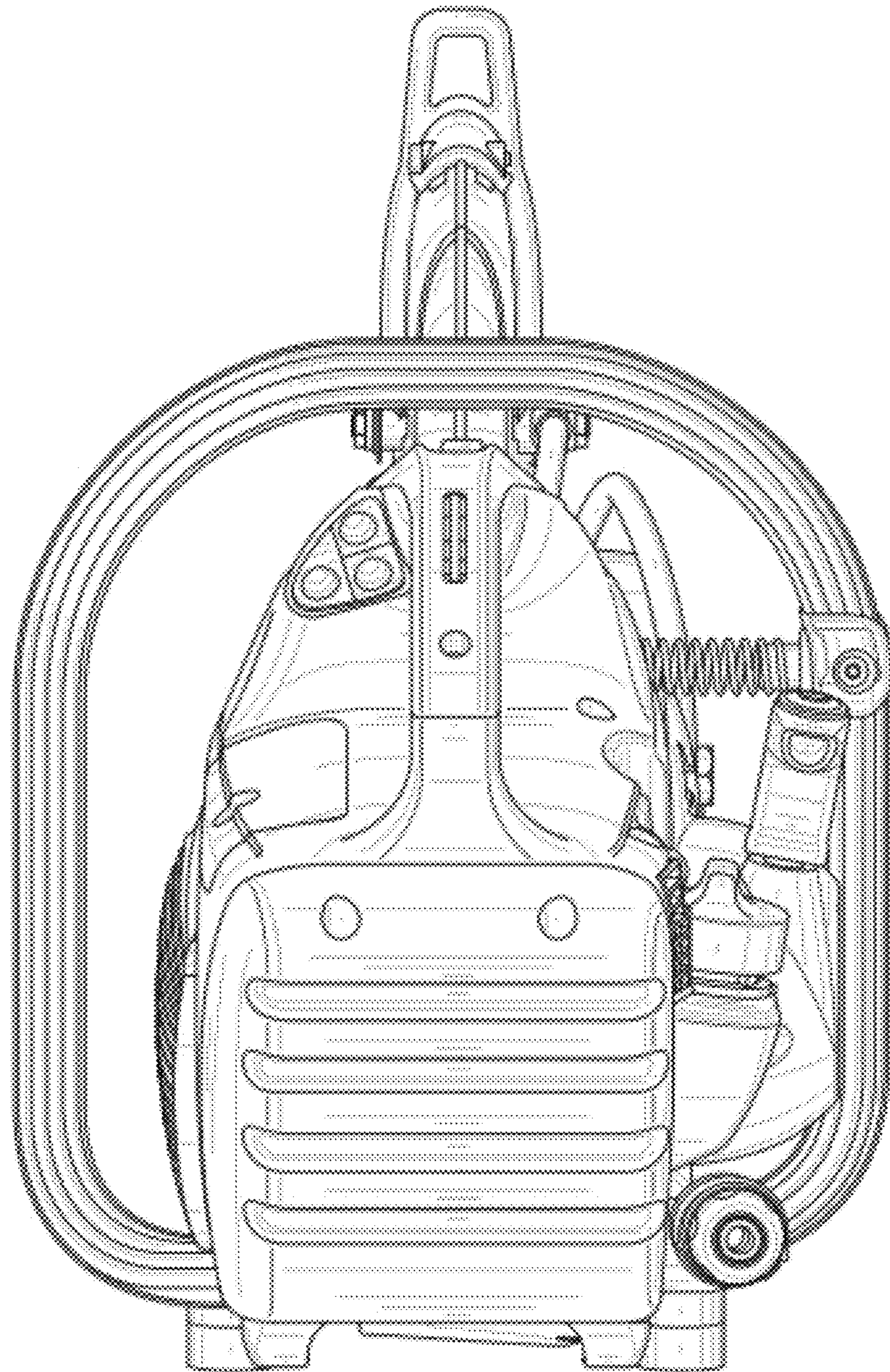


FIG. 3

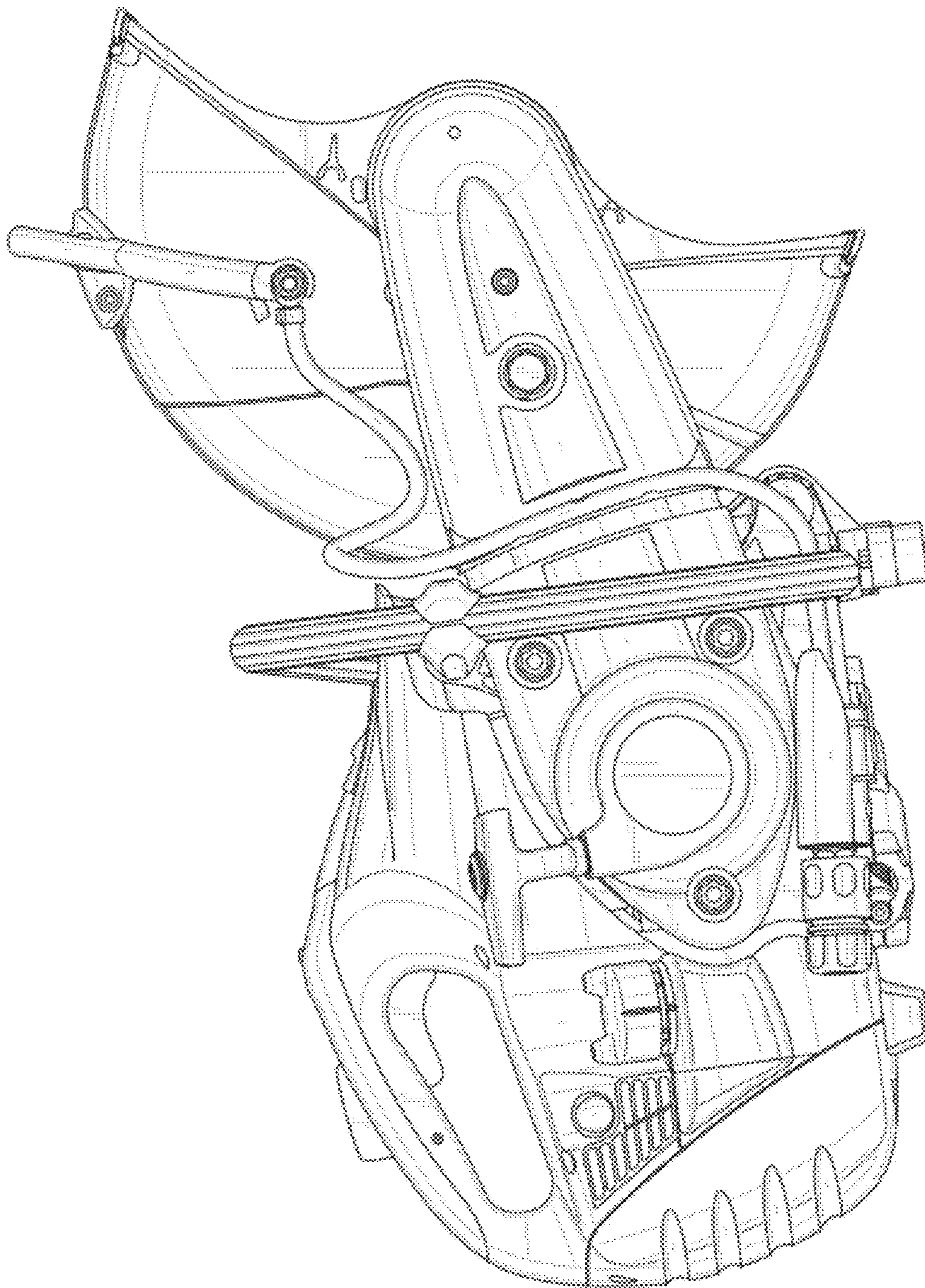


FIG. 4

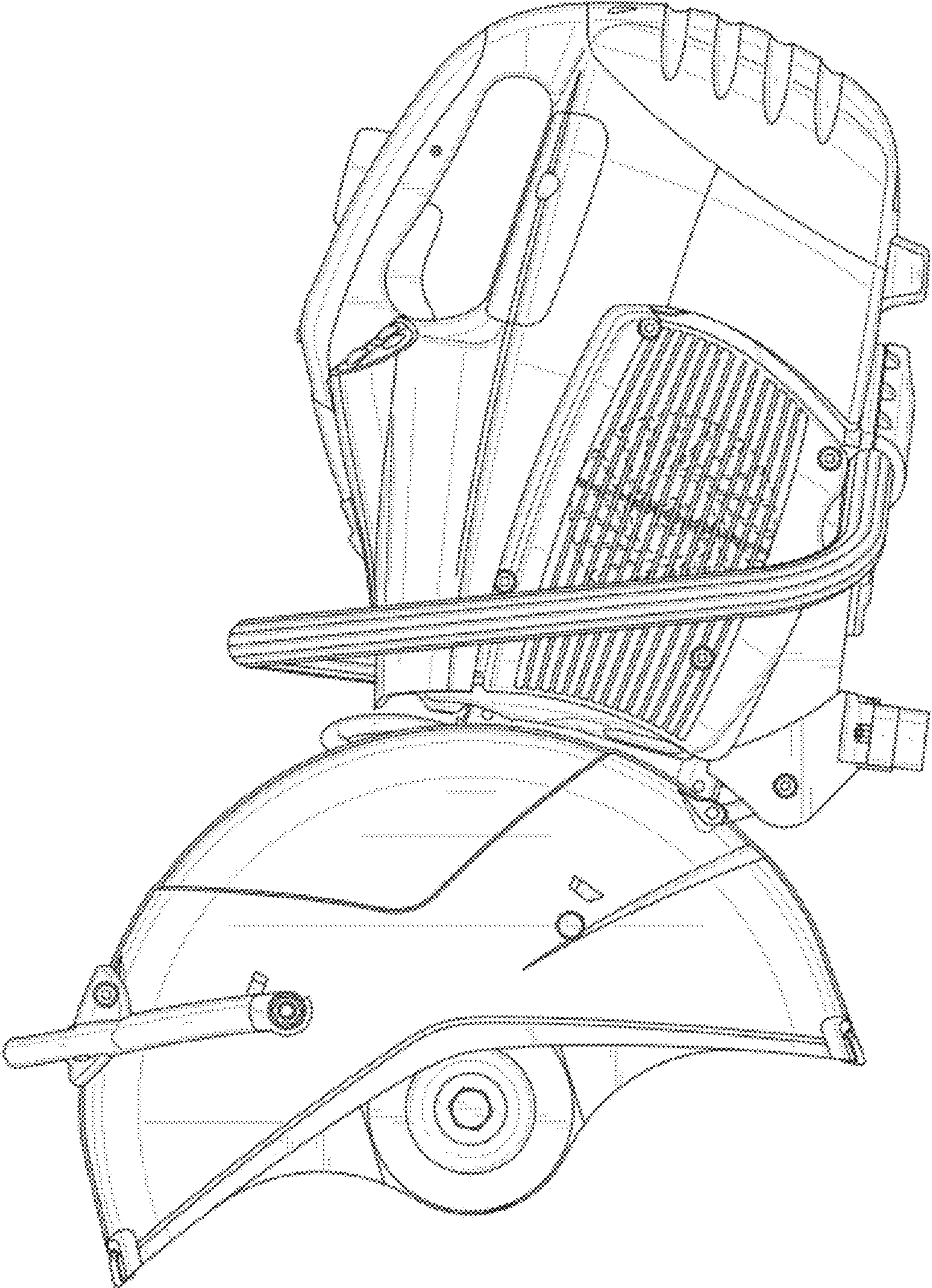


FIG. 5

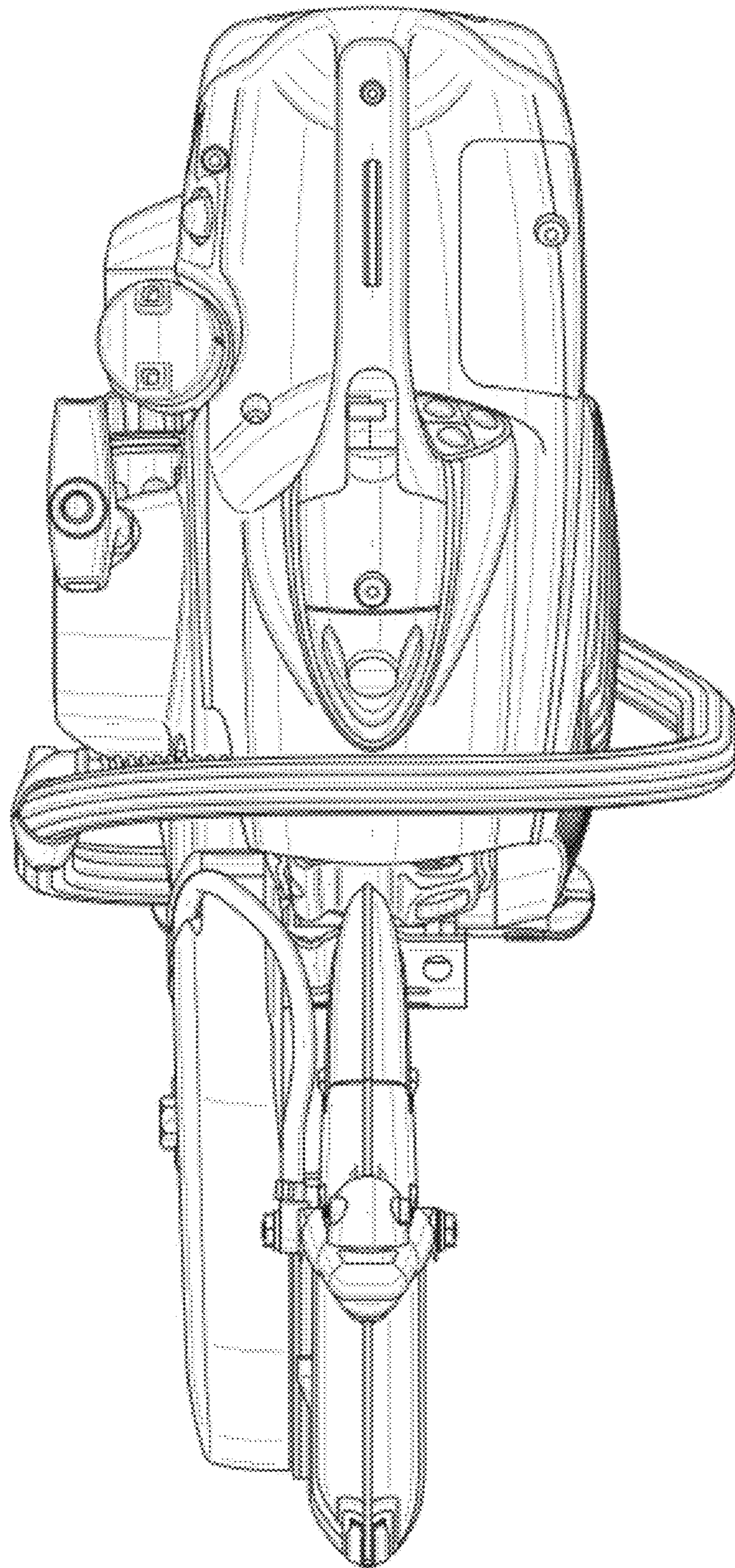


FIG. 6

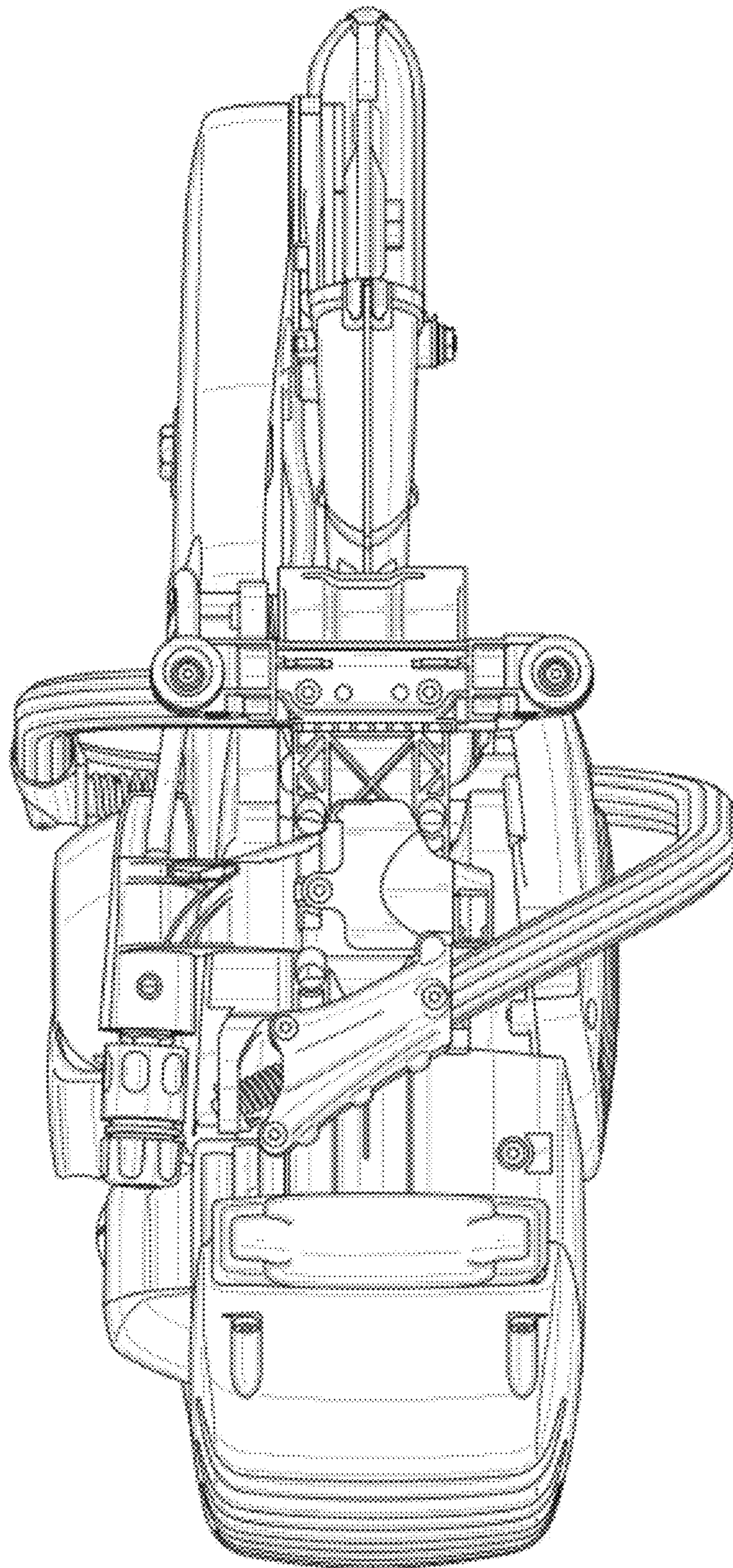


FIG. 7