



US00D669328S

(12) **United States Design Patent**
Kawase et al.

(10) **Patent No.:** **US D669,328 S**

(45) **Date of Patent:** **** Oct. 23, 2012**

(54) **PORTABLE PLATE JOINER**

(75) Inventors: **Tomonori Kawase**, Aichi (JP); **Kenji Abe**, Aichi (JP); **Syo Kume**, Aichi (JP); **Atsushi Hori**, Aichi (JP)

(73) Assignee: **Makita Corporation**, Anjo-shi (JP)

(**) Term: **14 Years**

(21) Appl. No.: **29/410,346**

(22) Filed: **Jan. 6, 2012**

(30) **Foreign Application Priority Data**

Aug. 3, 2011 (JP) 2011-017820

(51) **LOC (9) Cl.** **08-03**

(52) **U.S. Cl.** **D8/64**

(58) **Field of Classification Search** D8/69,
D8/68, 67, 66, 65, 64, 62, 61; 30/92, 394,
30/393, 392, 377, 376, 371; 74/50, 49; 173/217,
173/216; 83/699.21; 446/145

See application file for complete search history.

(56) **References Cited**

U.S. PATENT DOCUMENTS

4,913,204	A *	4/1990	Moores et al.	144/136.95
D325,862	S *	5/1992	Sato et al.	D8/69
5,257,654	A *	11/1993	Bean et al.	144/136.95
D400,771	S *	11/1998	Smith et al.	D8/64
5,881,784	A *	3/1999	Morikawa et al.	144/136.95
5,988,240	A *	11/1999	Markus	144/136.95
6,021,826	A *	2/2000	Daniell	144/73
D431,438	S *	10/2000	Flender et al.	D8/64

6,422,275	B1 *	7/2002	Smith et al.	144/136.95
6,612,349	B2 *	9/2003	Smith et al.	144/136.95
D596,005	S *	7/2009	Schoch	D8/64

FOREIGN PATENT DOCUMENTS

JP	57-55929	5/1984
JP	624417	5/1984

OTHER PUBLICATIONS

Makita Product Catalogue, "Joint Cutter", May 1994.

* cited by examiner

Primary Examiner — Austin Murphy

(74) *Attorney, Agent, or Firm* — Posz Law Group, PLC

(57) **CLAIM**

The ornamental design for a portable plate joiner, as shown and described.

DESCRIPTION

FIG. 1 is a perspective view of top, front, and left side of a portable plate joiner showing our new design;

FIG. 2 is a front view thereof;

FIG. 3 is a rear view thereof;

FIG. 4 is a right side view thereof;

FIG. 5 is a left side view thereof;

FIG. 6 is a top plan view thereof;

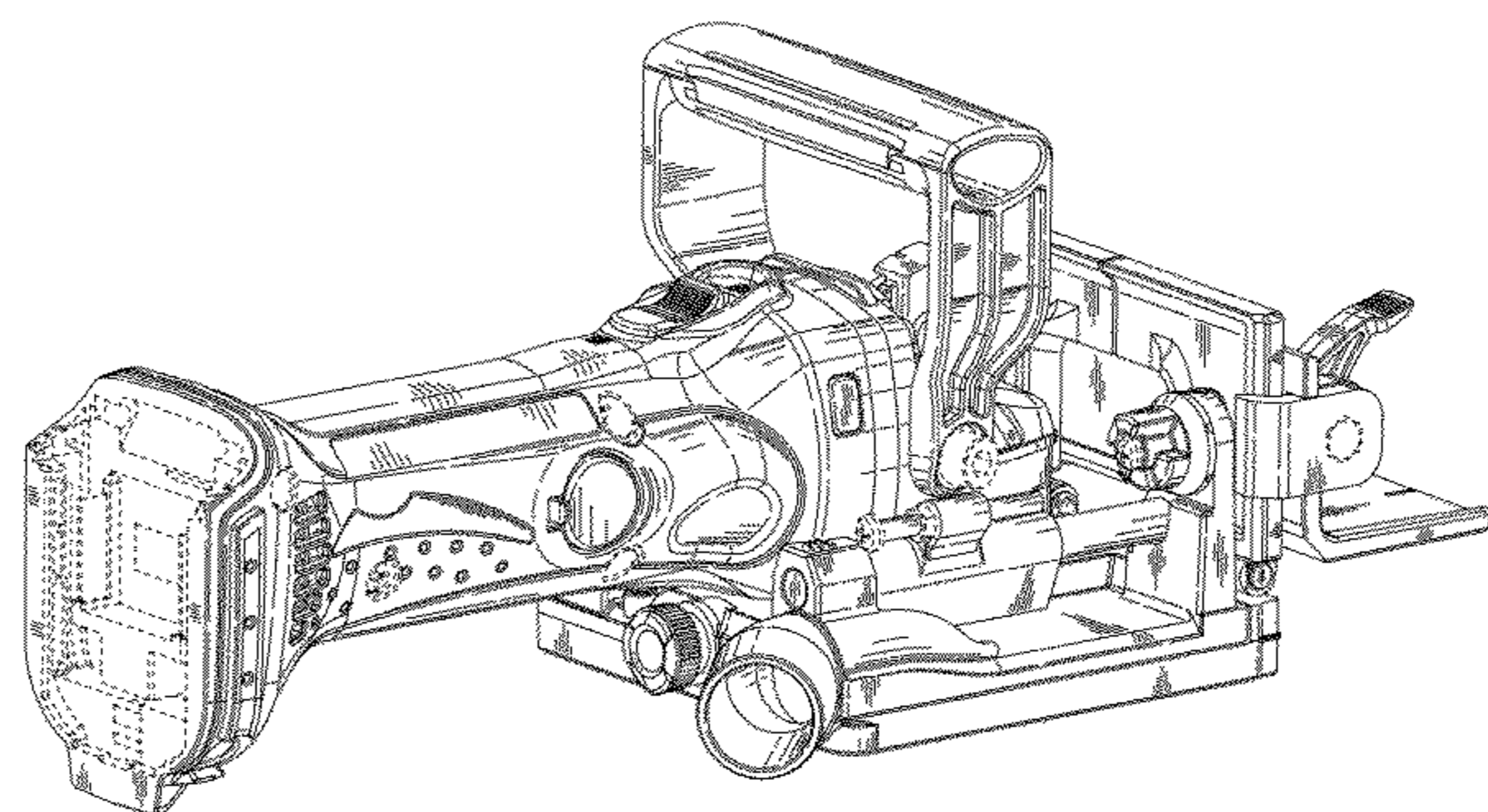
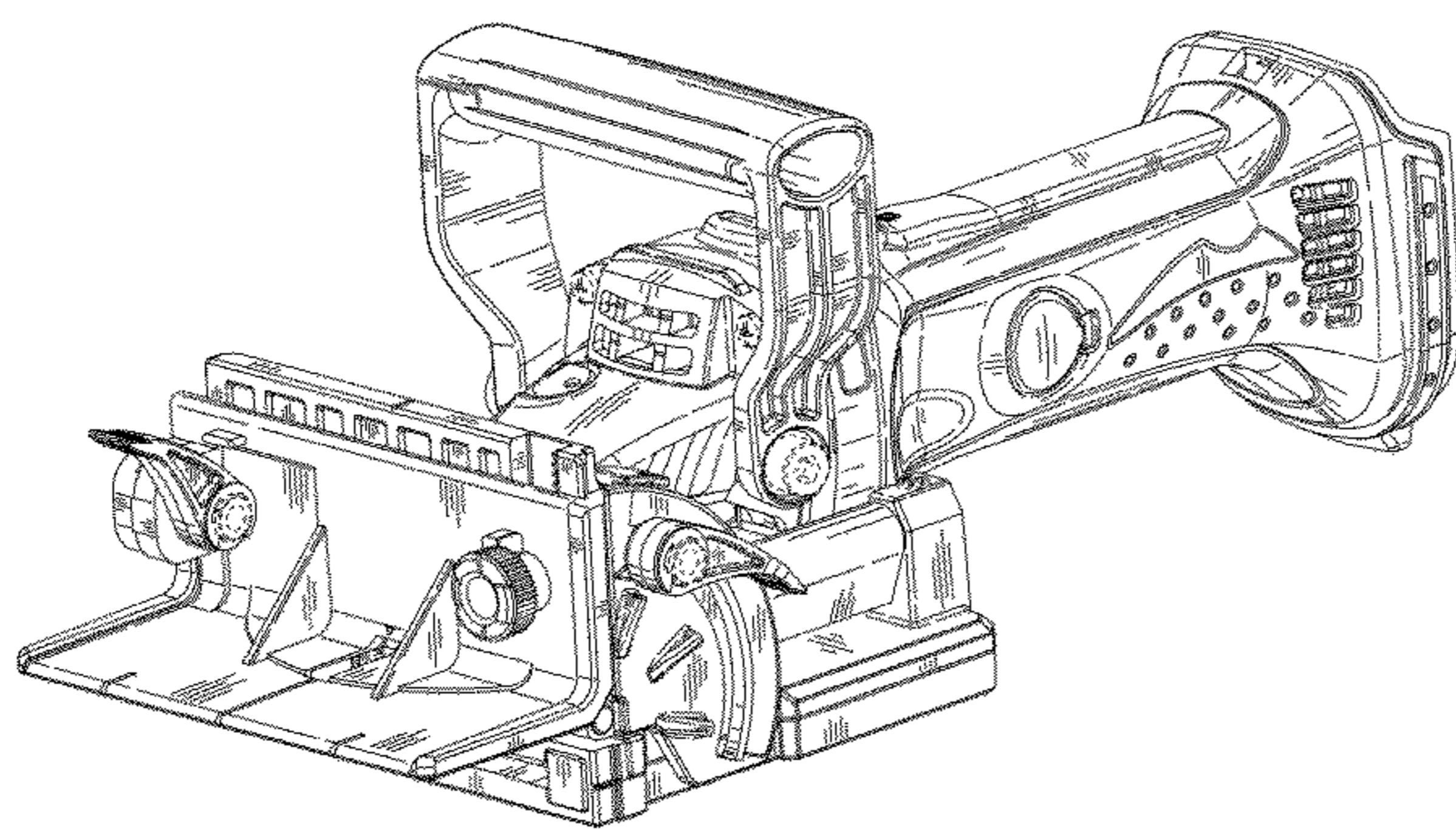
FIG. 7 is a bottom view thereof;

FIG. 8 is an alternate perspective view thereof; and,

FIG. 9 is a perspective view of top, front, and left side with detachable battery.

The broken lines and the areas within the broken lines are included for illustrative purposes only and form no part of the claimed design.

1 Claim, 9 Drawing Sheets



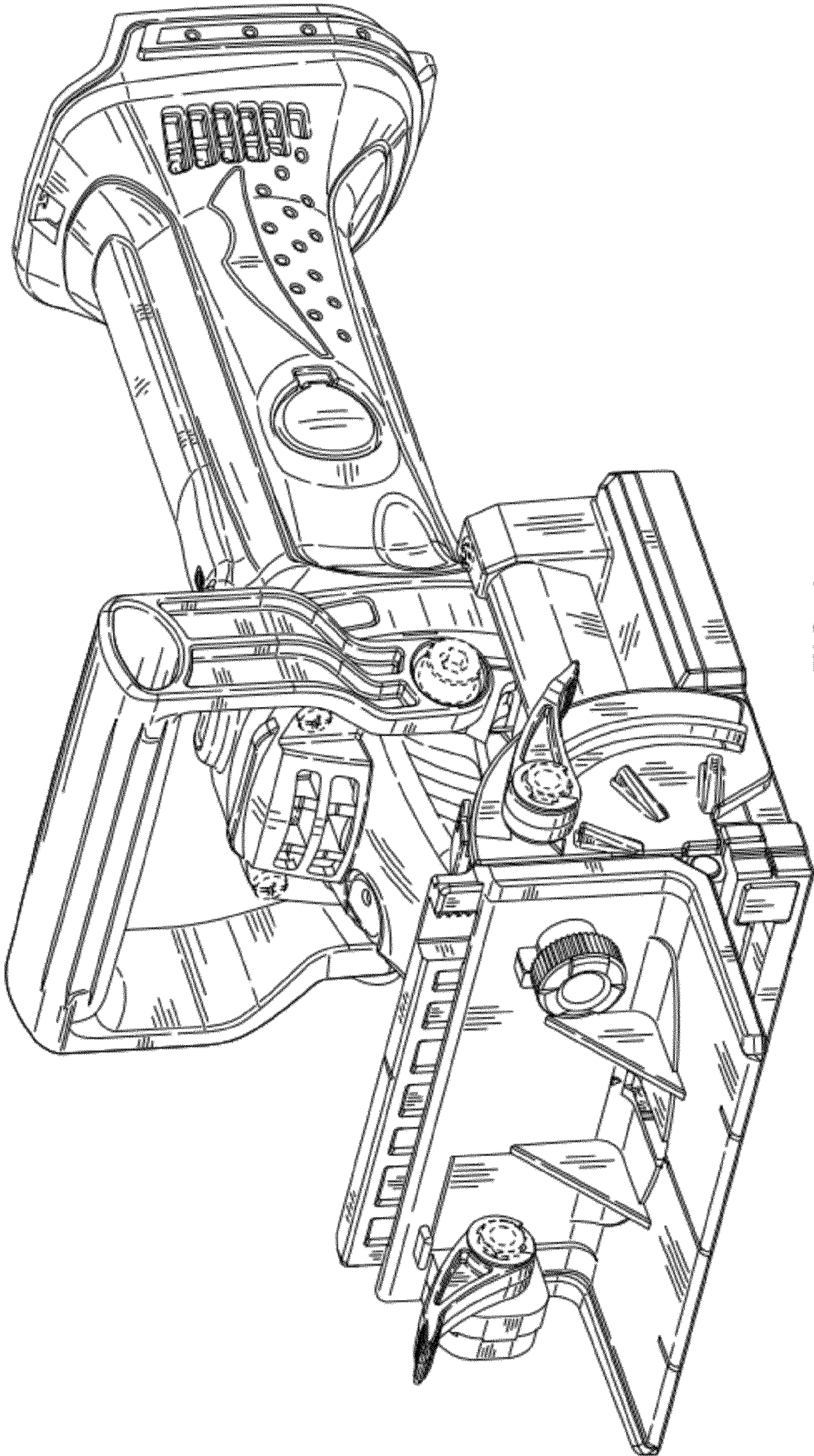


FIG. 1

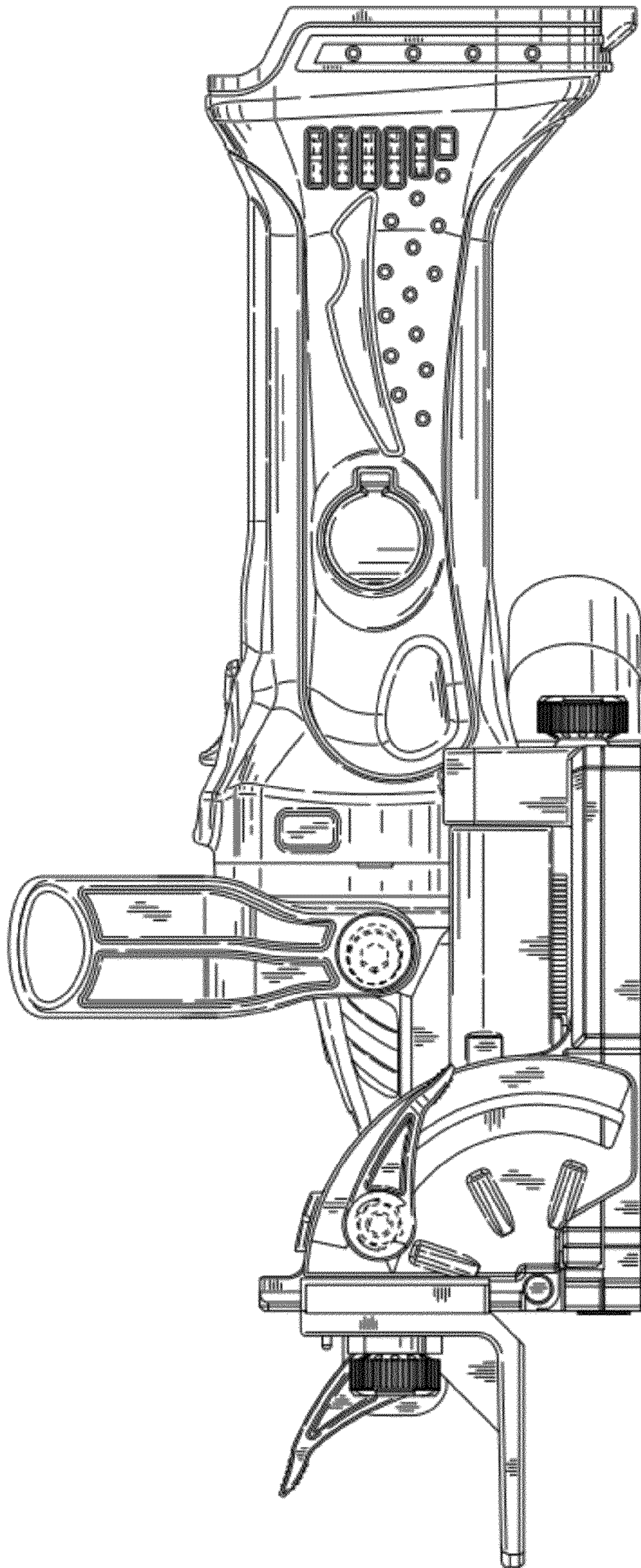


FIG. 2

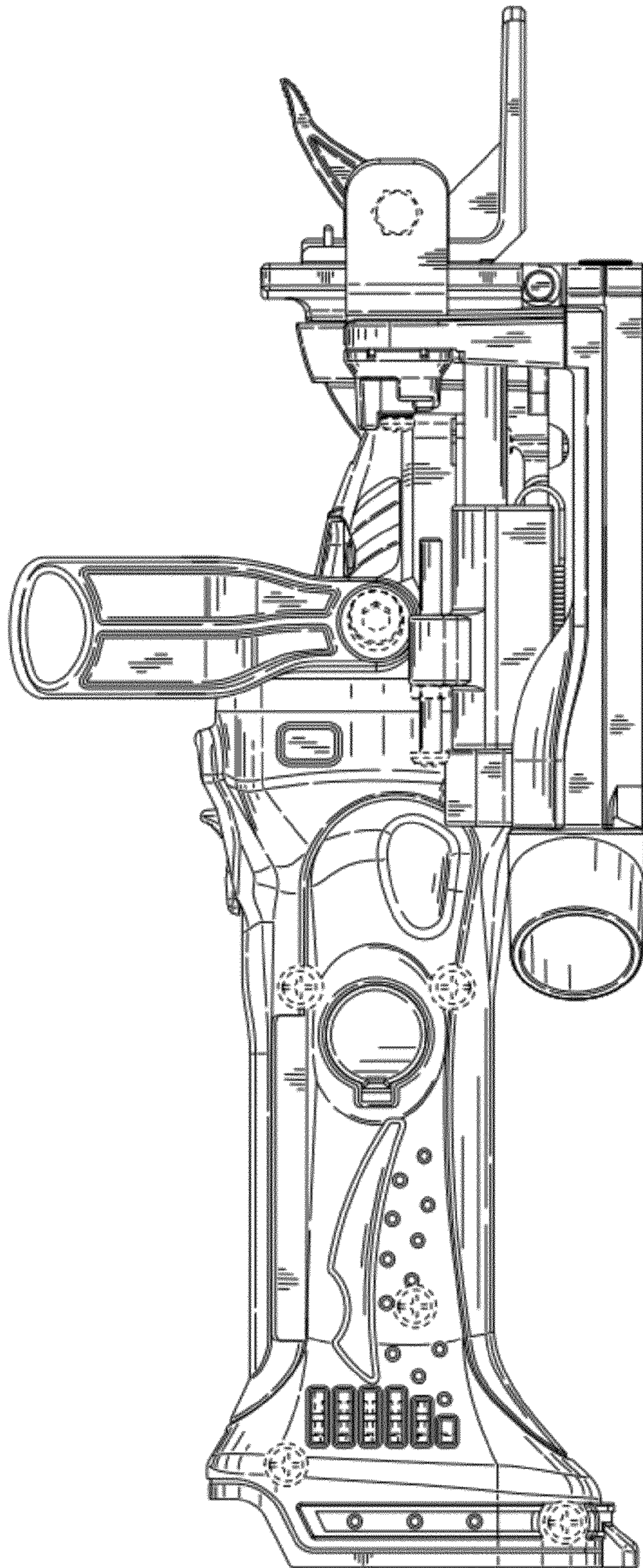


FIG. 3

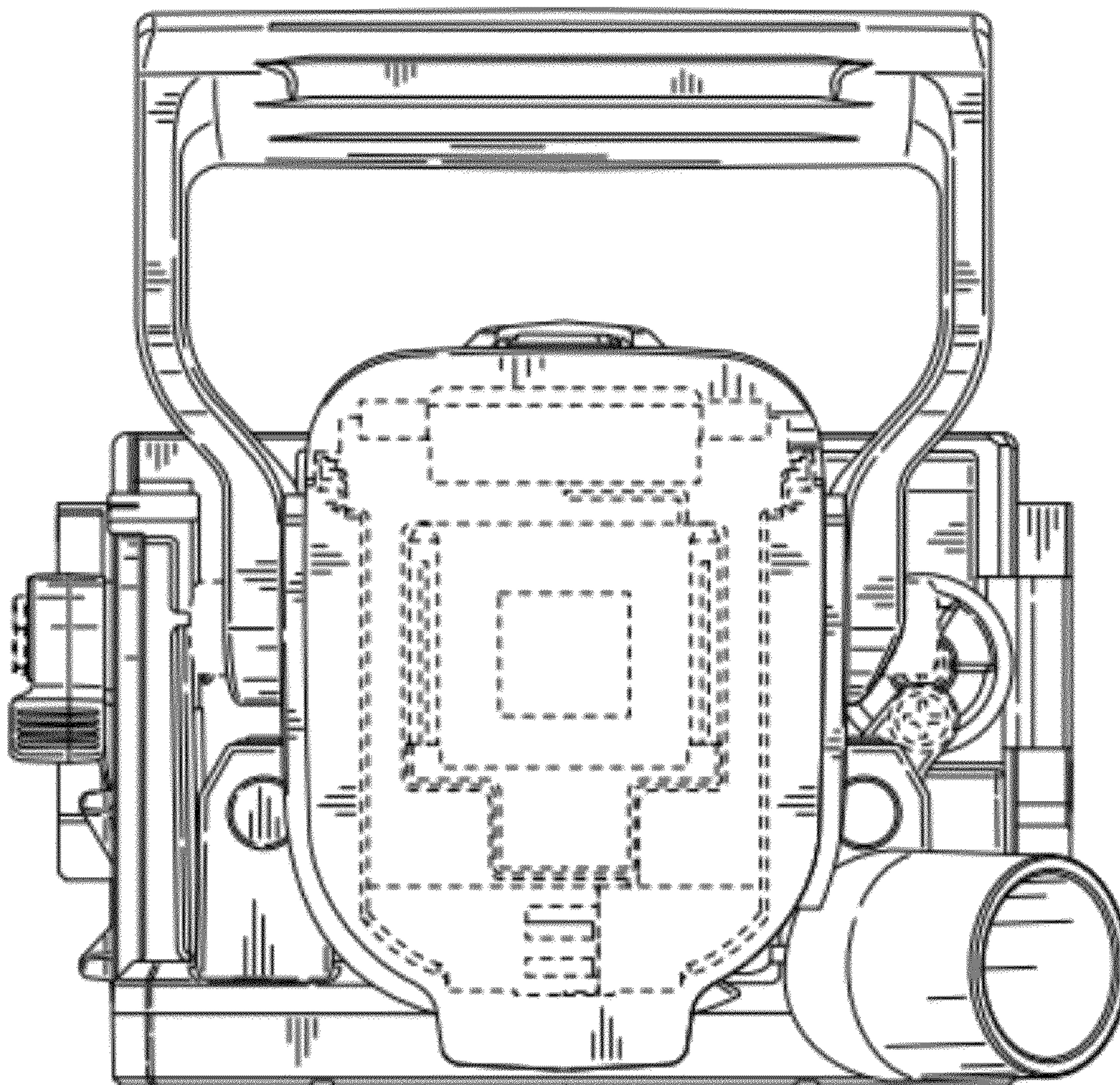


FIG. 4

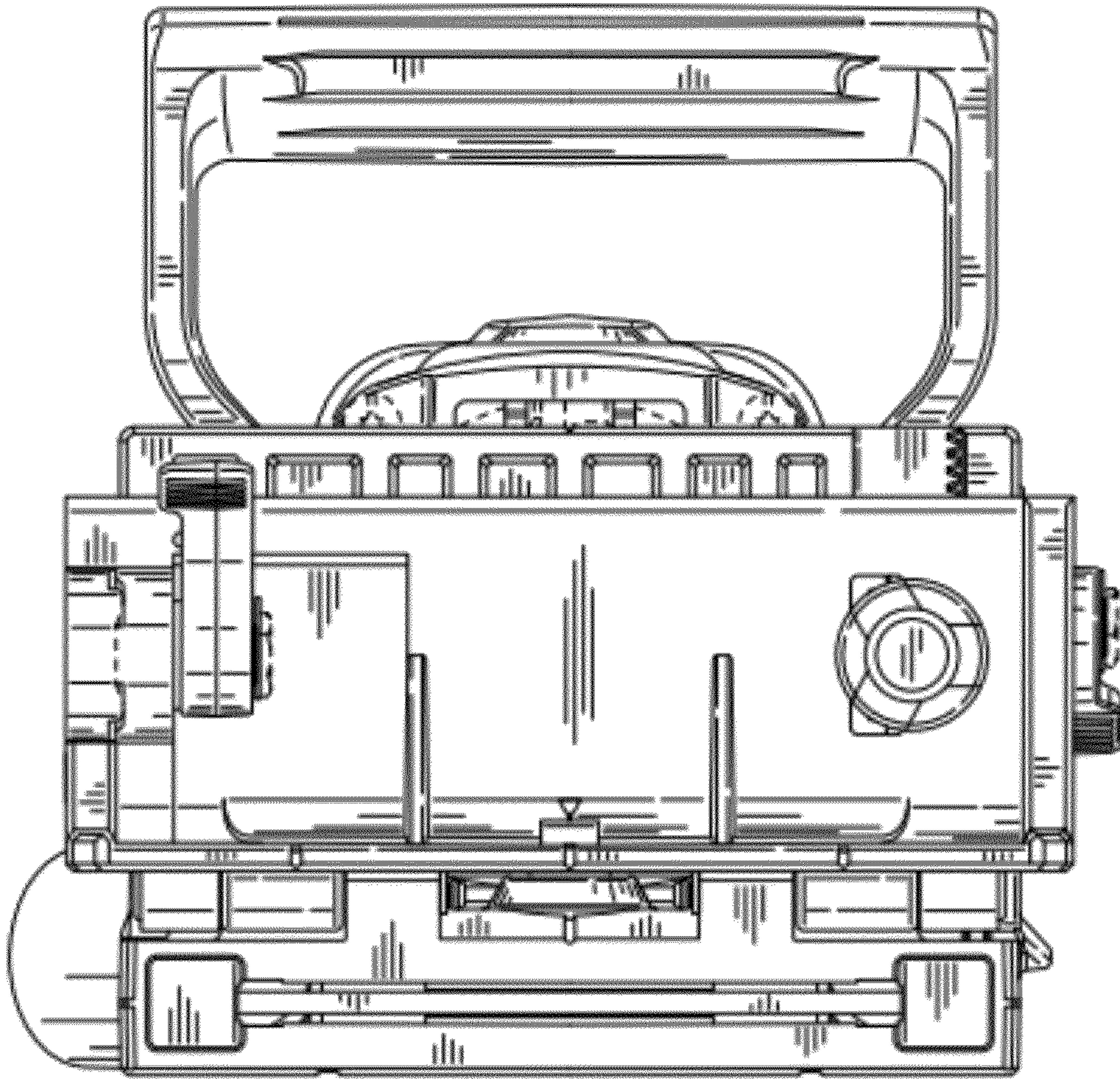


FIG. 5

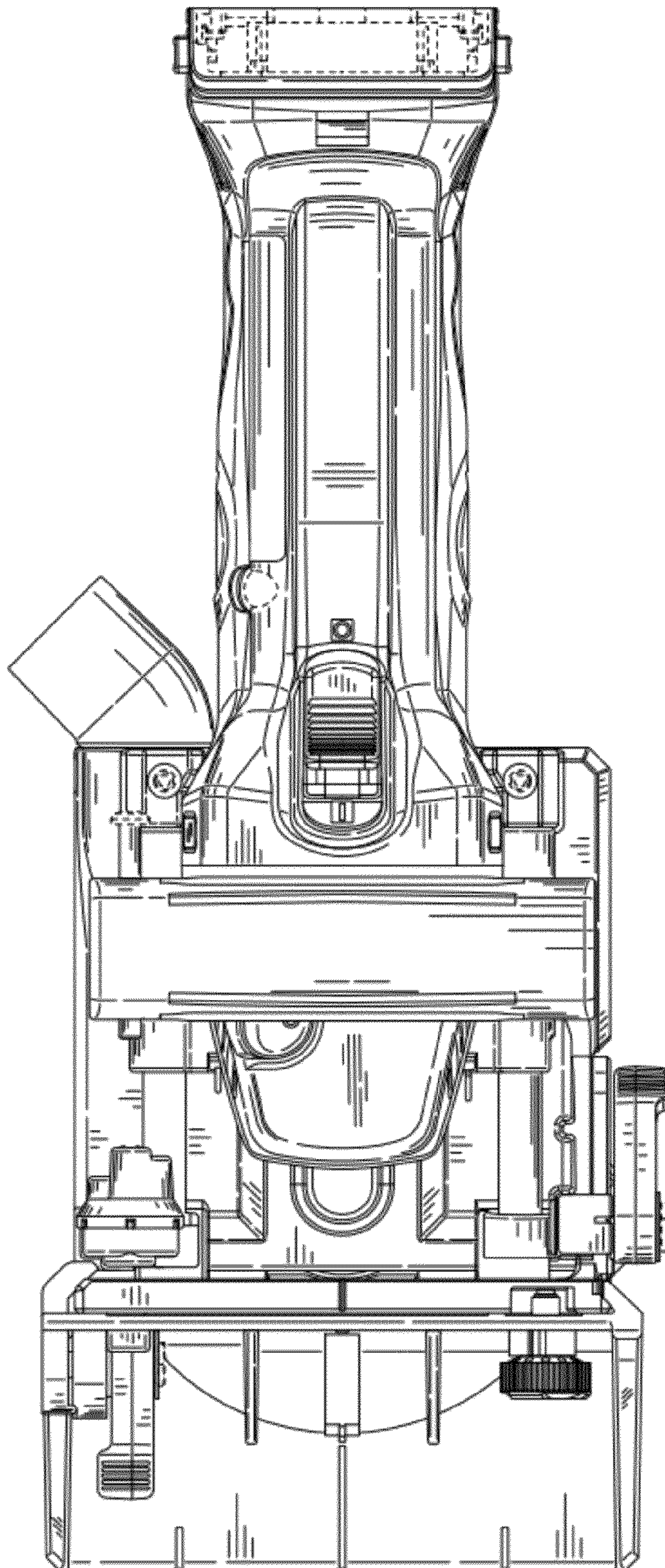


FIG. 6

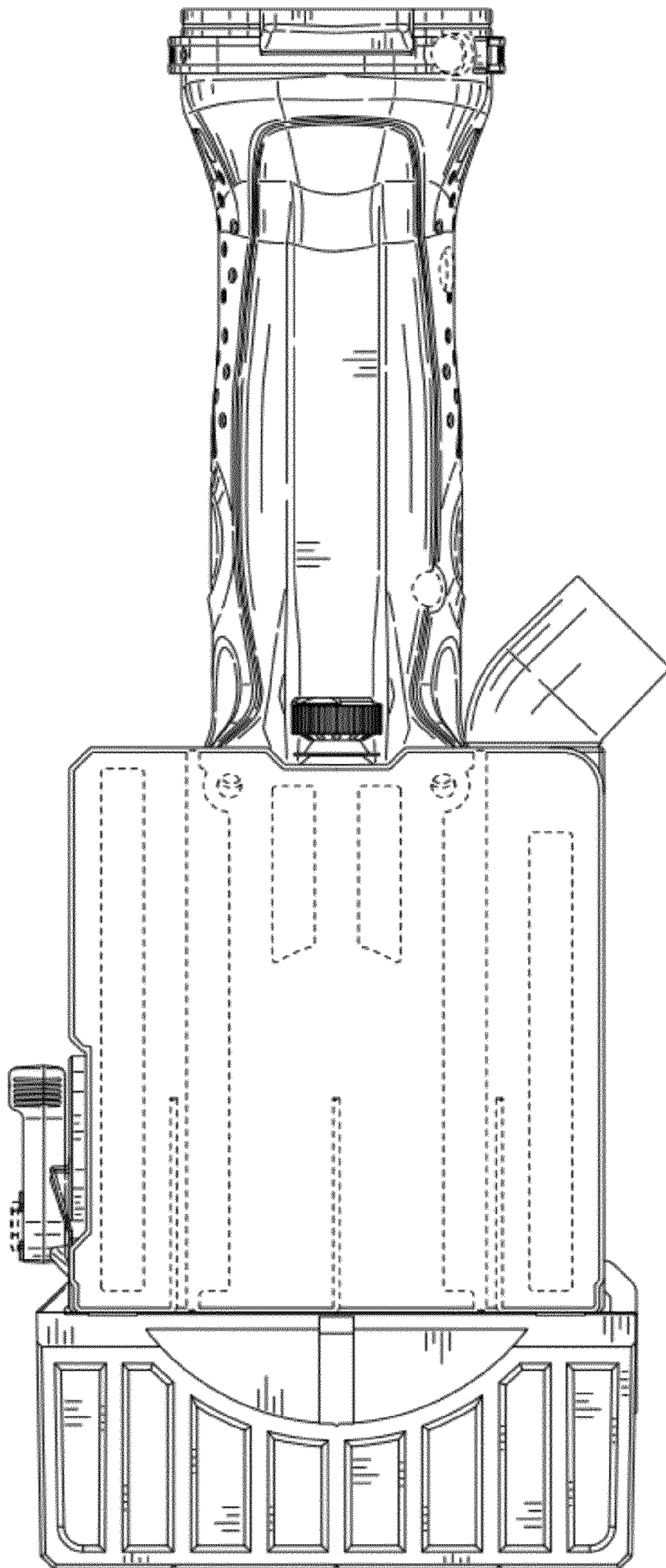


FIG. 7

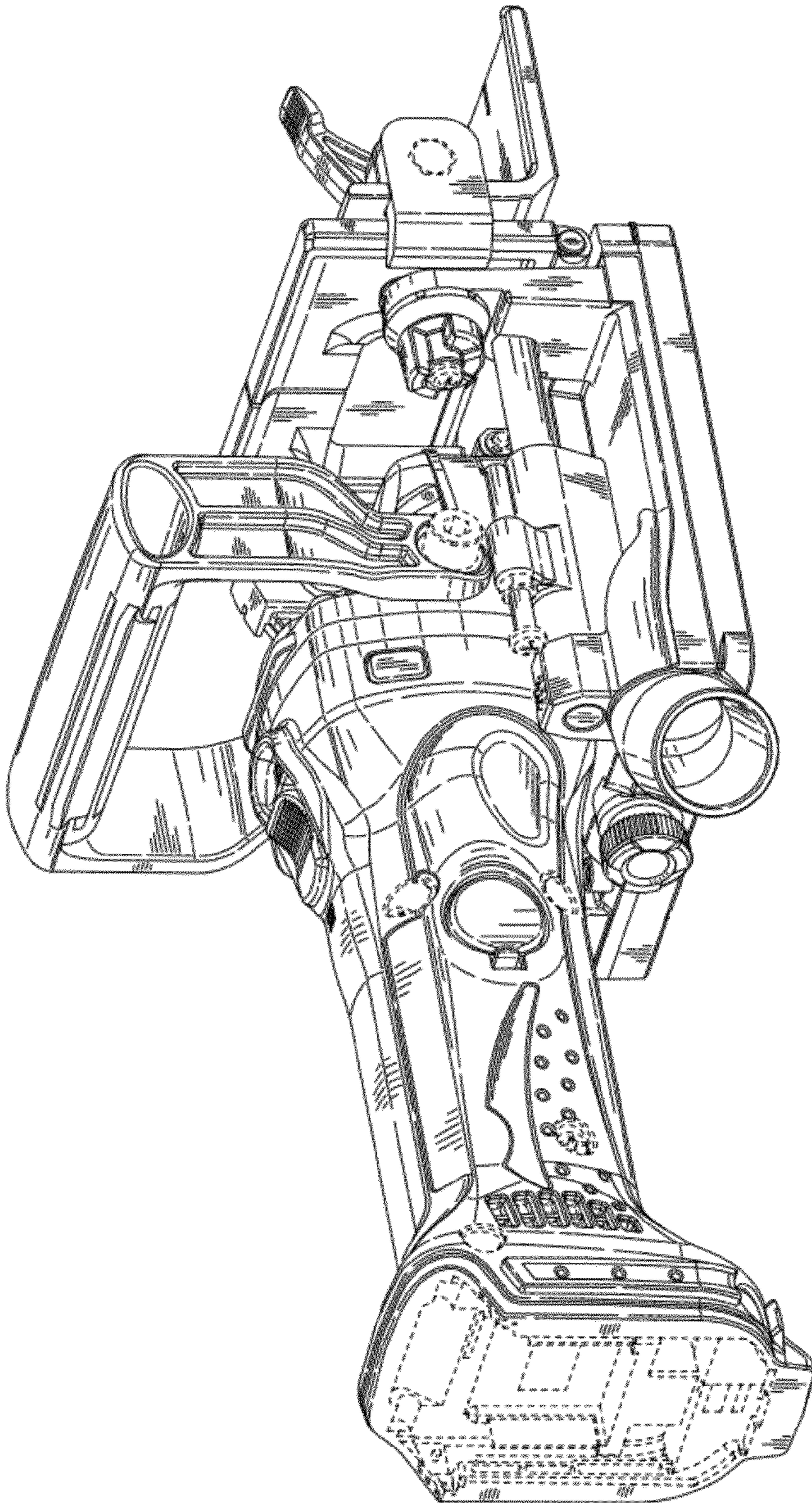


FIG. 8

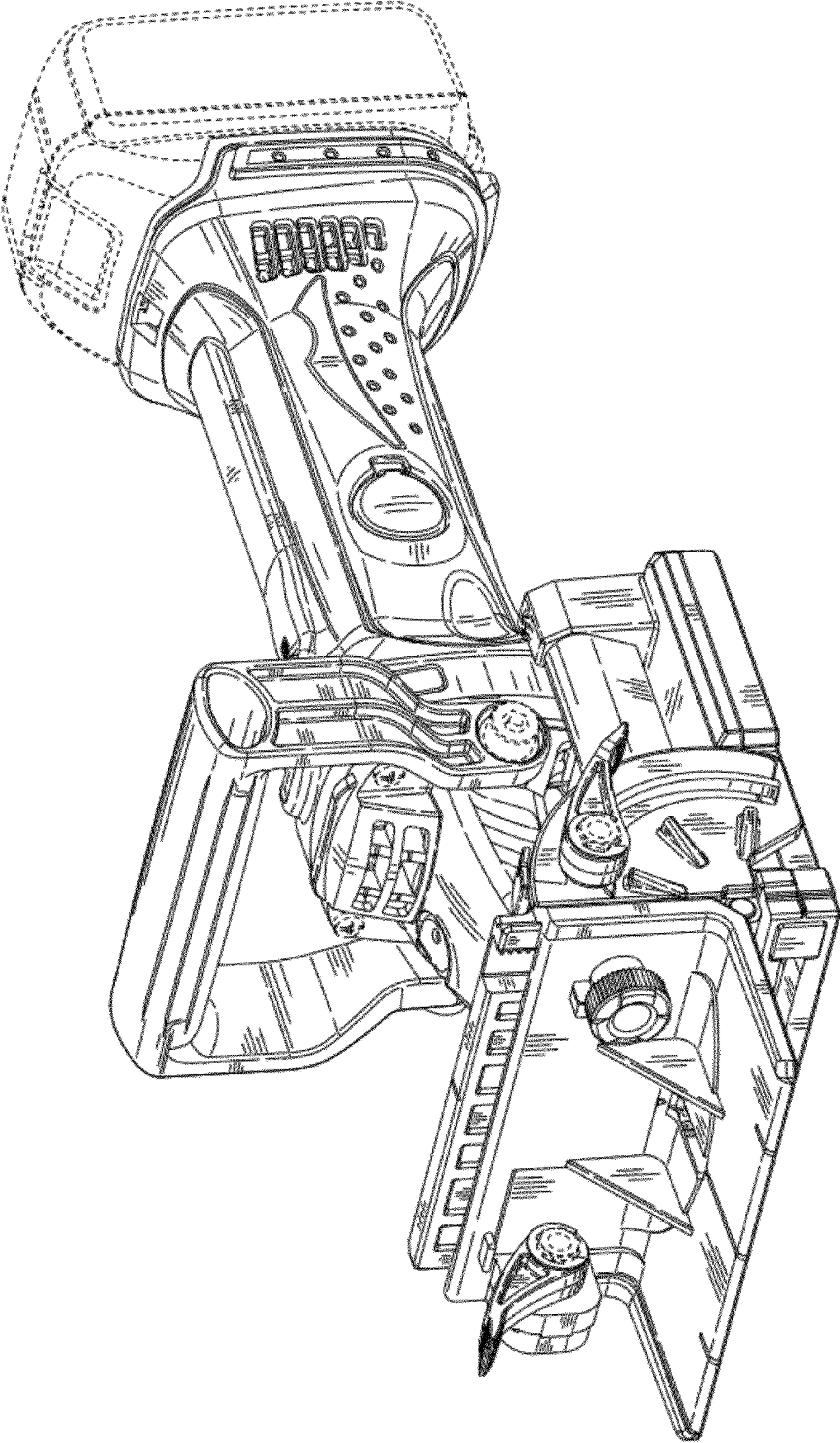


FIG. 9