



US00D669327S

(12) **United States Design Patent**  
**Kawase et al.**

(10) **Patent No.:** **US D669,327 S**  
(45) **Date of Patent:** **\*\* Oct. 23, 2012**

(54) **PORTABLE PLATE JOINER**

(75) Inventors: **Tomonori Kawase**, Aichi (JP); **Kenji Abe**, Aichi (JP); **Syo Kume**, Aichi (JP); **Atsushi Hori**, Aichi (JP)

(73) Assignee: **Makita Corporation**, Anjo-shi (JP)

(\*\*) Term: **14 Years**

(21) Appl. No.: **29/410,333**

(22) Filed: **Jan. 6, 2012**

(30) **Foreign Application Priority Data**

Aug. 3, 2011 (JP) ..... 2011-017819

(51) **LOC (9) Cl.** ..... **08-03**

(52) **U.S. Cl.** ..... **D8/64**

(58) **Field of Classification Search** ..... D8/69,  
D8/68, 67, 66, 65, 64, 62, 61; 30/92, 394,  
30/393, 392, 377, 376, 371; 74/50, 49; 173/217,  
173/216; 83/699.21; 446/145

See application file for complete search history.

(56) **References Cited**

**U.S. PATENT DOCUMENTS**

4,913,204	A *	4/1990	Moores et al.	144/136.95
D325,862	S *	5/1992	Sato et al.	D8/69
5,257,654	A *	11/1993	Bean et al.	144/136.95
D400,771	S *	11/1998	Smith et al.	D8/64
5,881,784	A *	3/1999	Morikawa et al.	144/136.95
5,988,240	A *	11/1999	Markus	144/136.95
6,021,826	A *	2/2000	Daniell	144/73
D431,438	S *	10/2000	Flender et al.	D8/64

6,422,275	B1 *	7/2002	Smith et al.	144/136.95
6,612,349	B2 *	9/2003	Smith et al.	144/136.95
D596,005	S *	7/2009	Schoch	D8/64

**FOREIGN PATENT DOCUMENTS**

JP	57-55929	5/1984
JP	624417	5/1984

**OTHER PUBLICATIONS**

Makita Product Catalogue, "Joint Cutter", May 1994.

\* cited by examiner

*Primary Examiner* — Austin Murphy

(74) *Attorney, Agent, or Firm* — Posz Law Group, PLC

(57) **CLAIM**

The ornamental design for a portable plate joiner, as shown and described.

**DESCRIPTION**

FIG. 1 is a perspective view of top, front, and left side of a portable plate joiner showing our new design;

FIG. 2 is a front view thereof;

FIG. 3 is a rear view thereof;

FIG. 4 is a right side view thereof;

FIG. 5 is a left side view thereof;

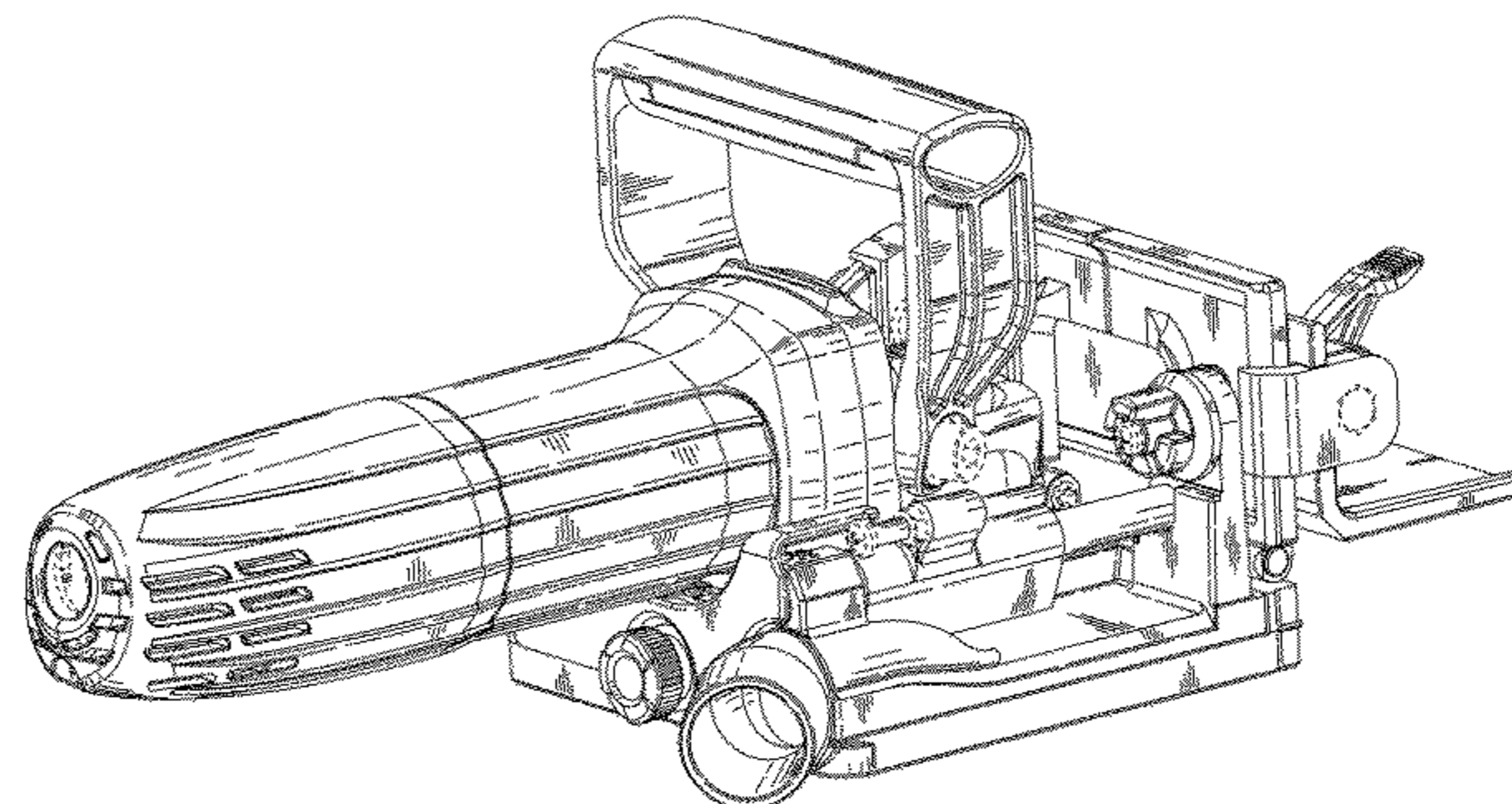
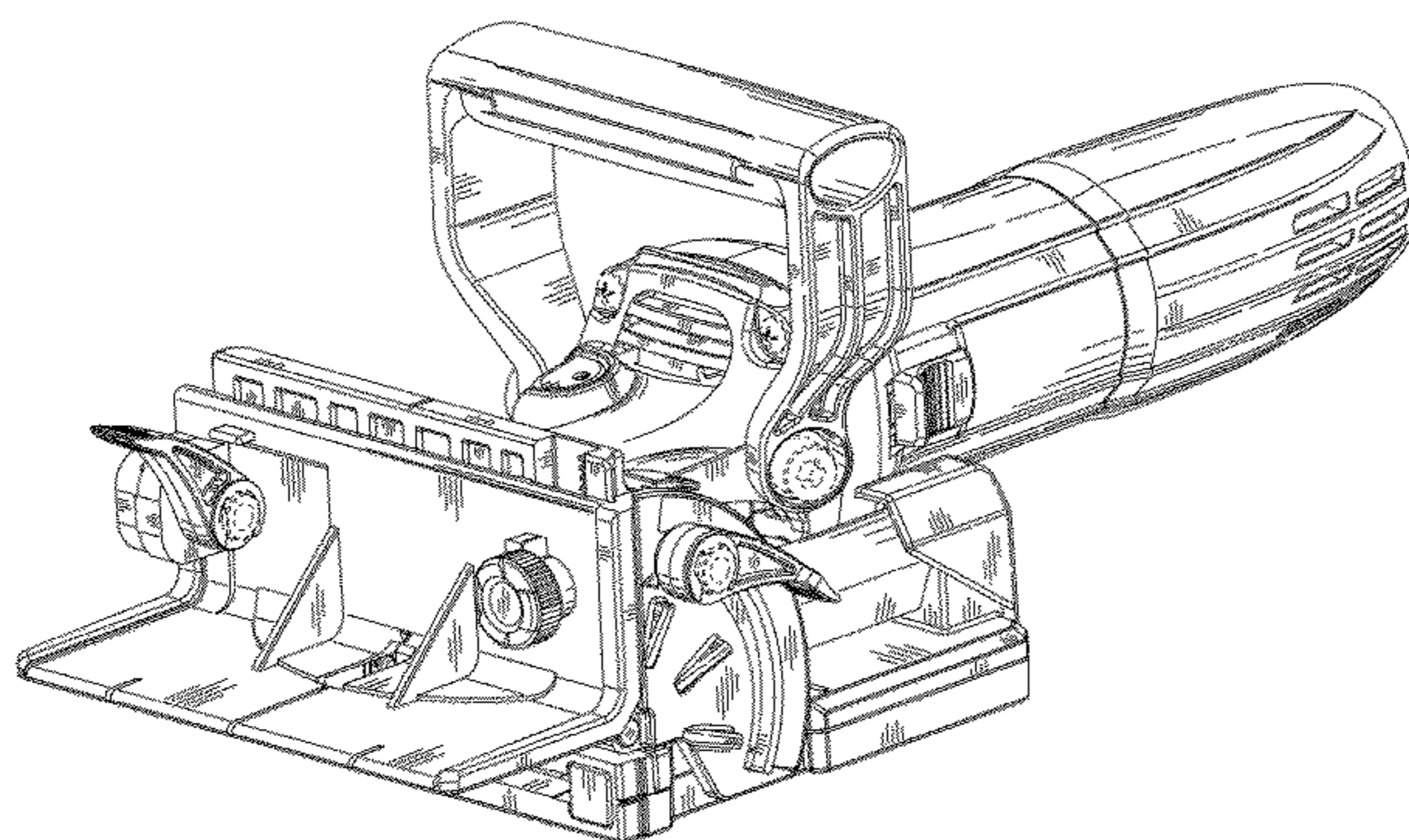
FIG. 6 is a top plan view thereof;

FIG. 7 is a bottom view thereof; and,

FIG. 8 is an alternate perspective view thereof.

The broken lines and the areas within the broken lines are included for illustrative purposes only and form no part of the claimed design.

**1 Claim, 8 Drawing Sheets**





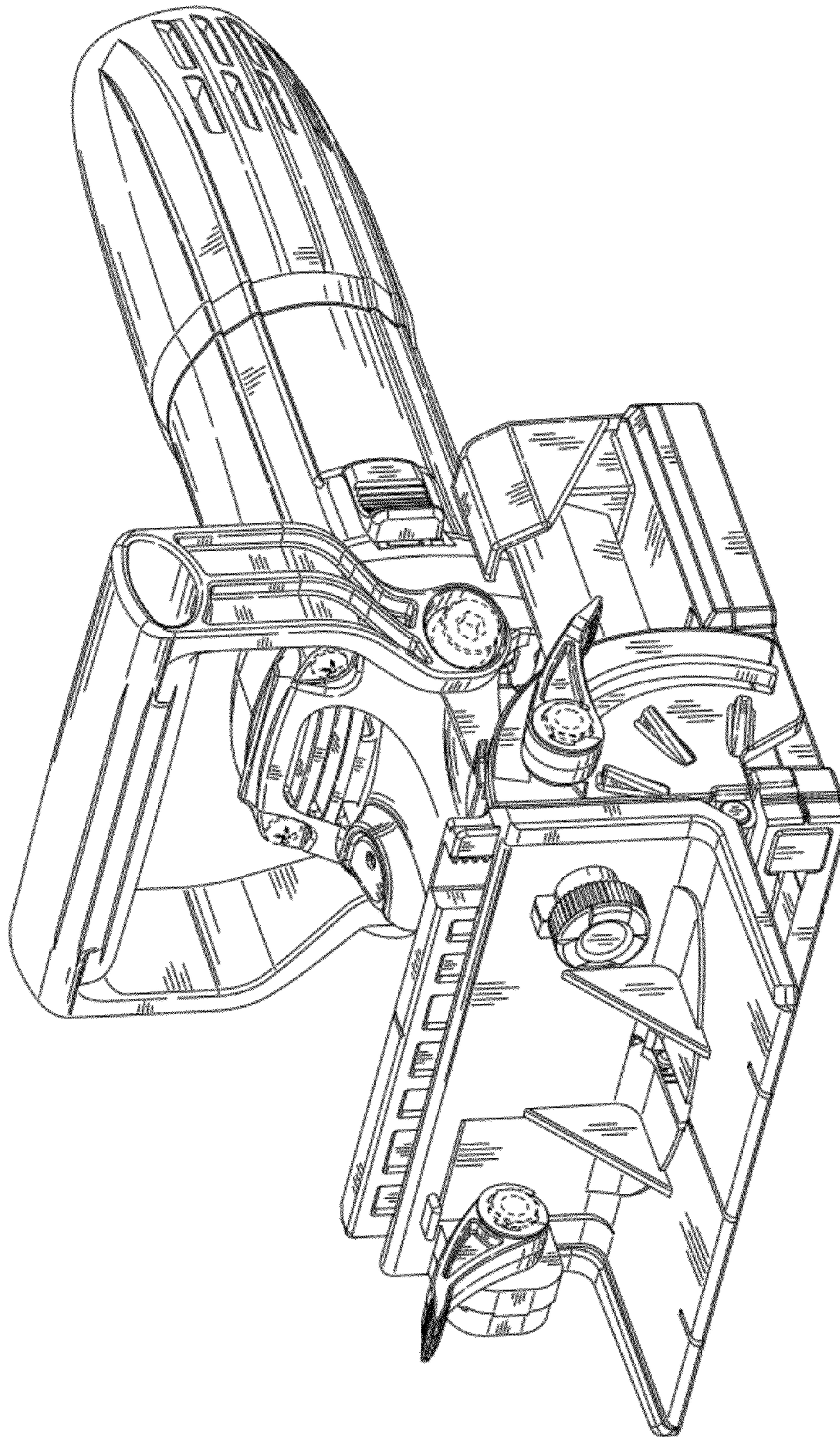


FIG. 1



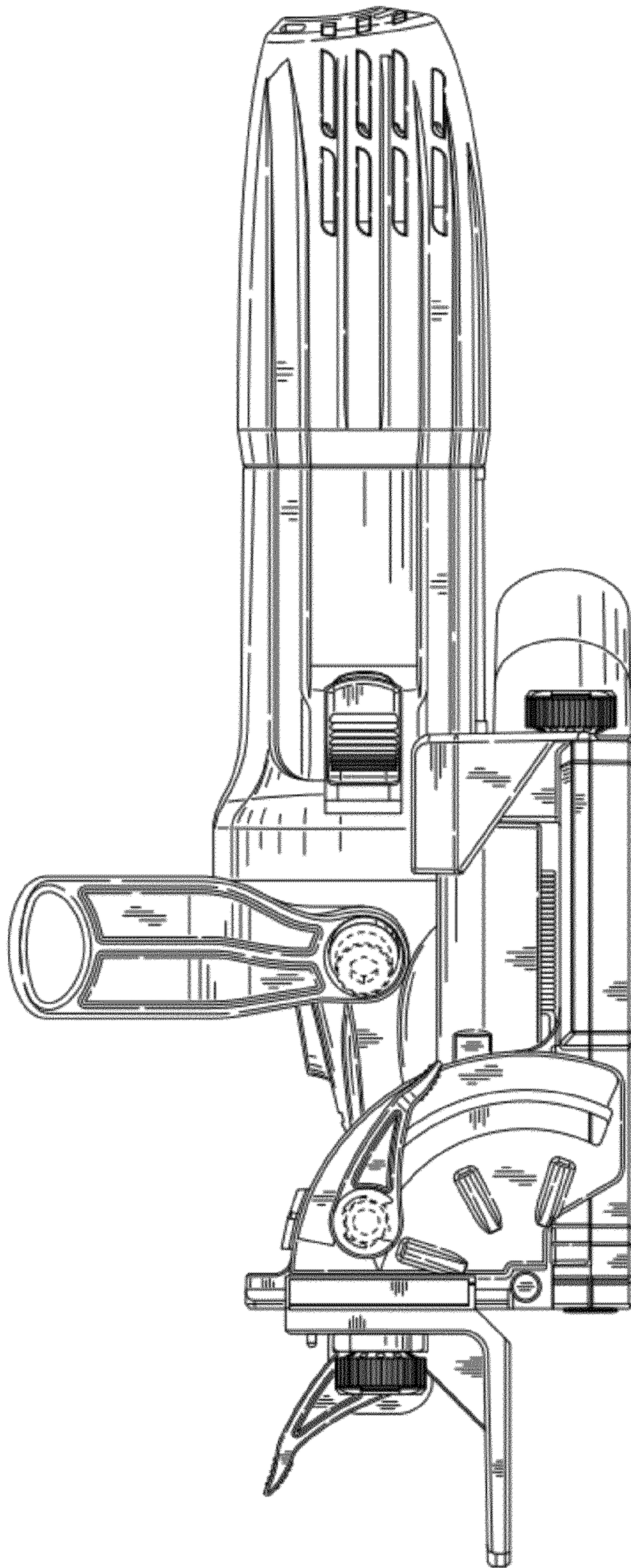


FIG. 2



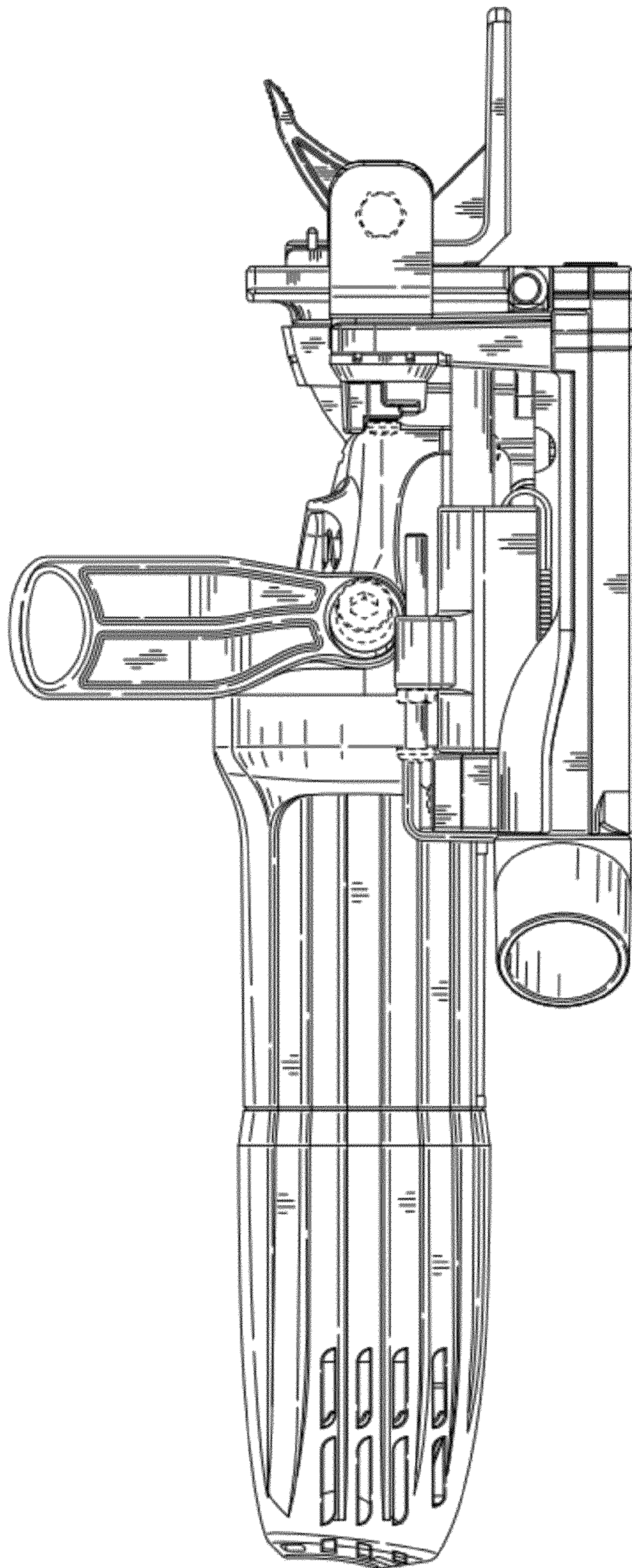


FIG. 3



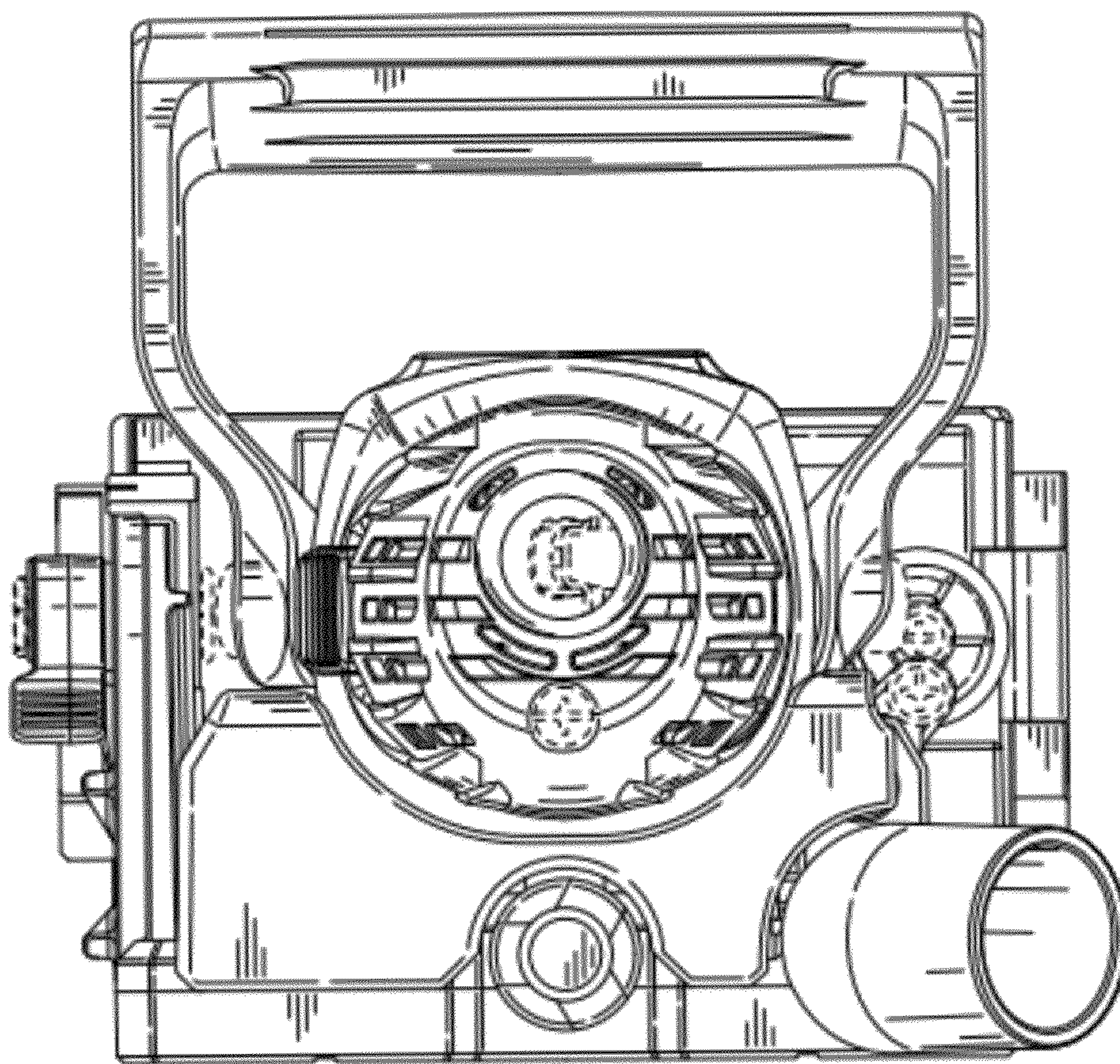


FIG. 4



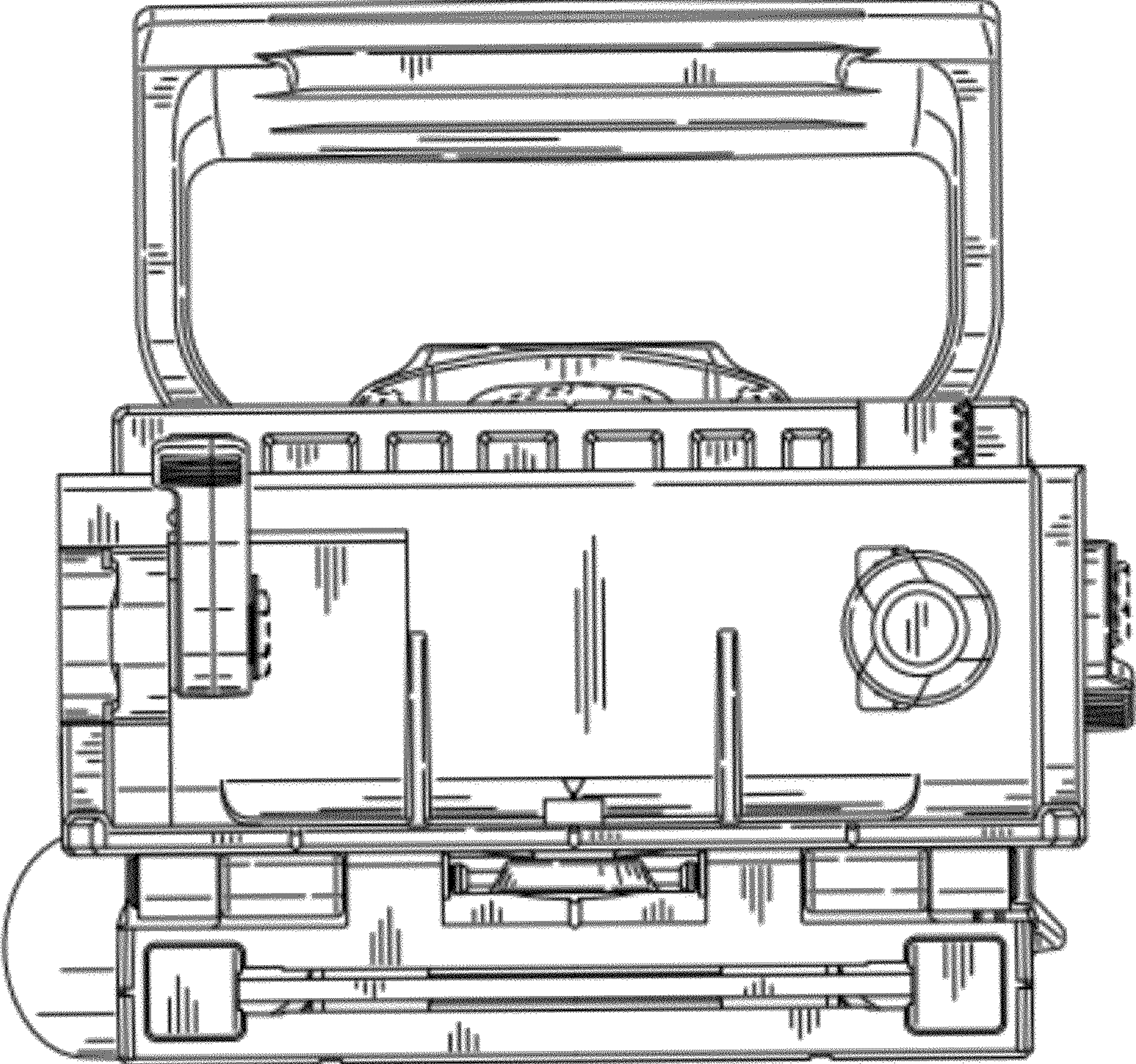


FIG. 5



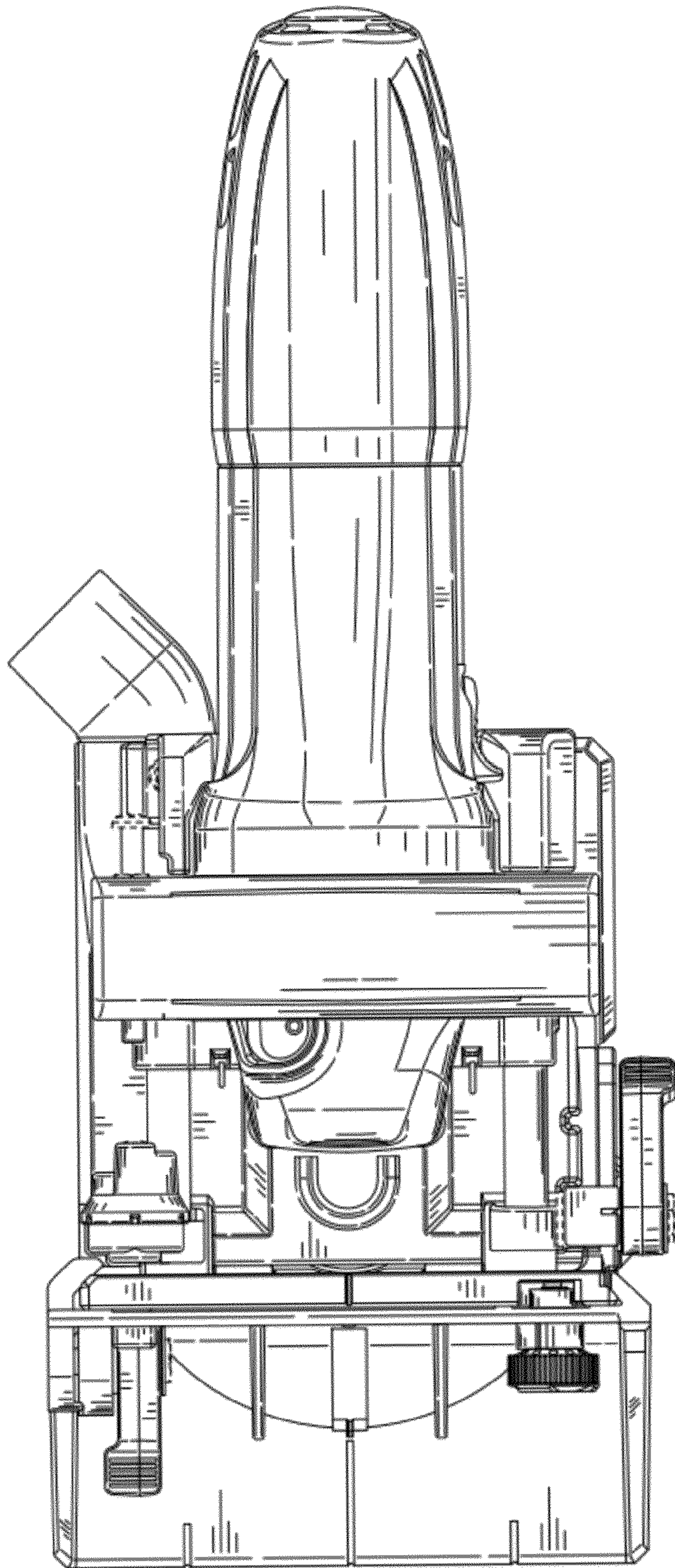


FIG. 6



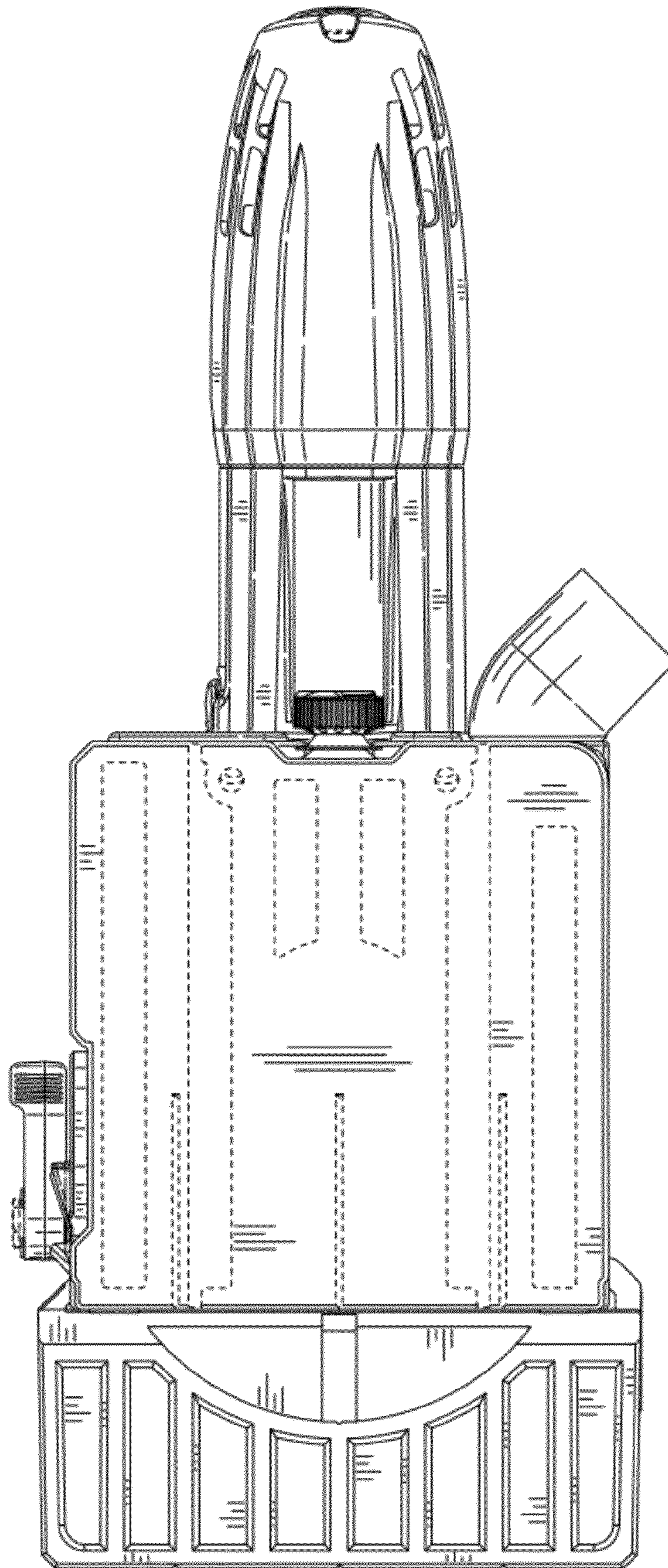


FIG. 7



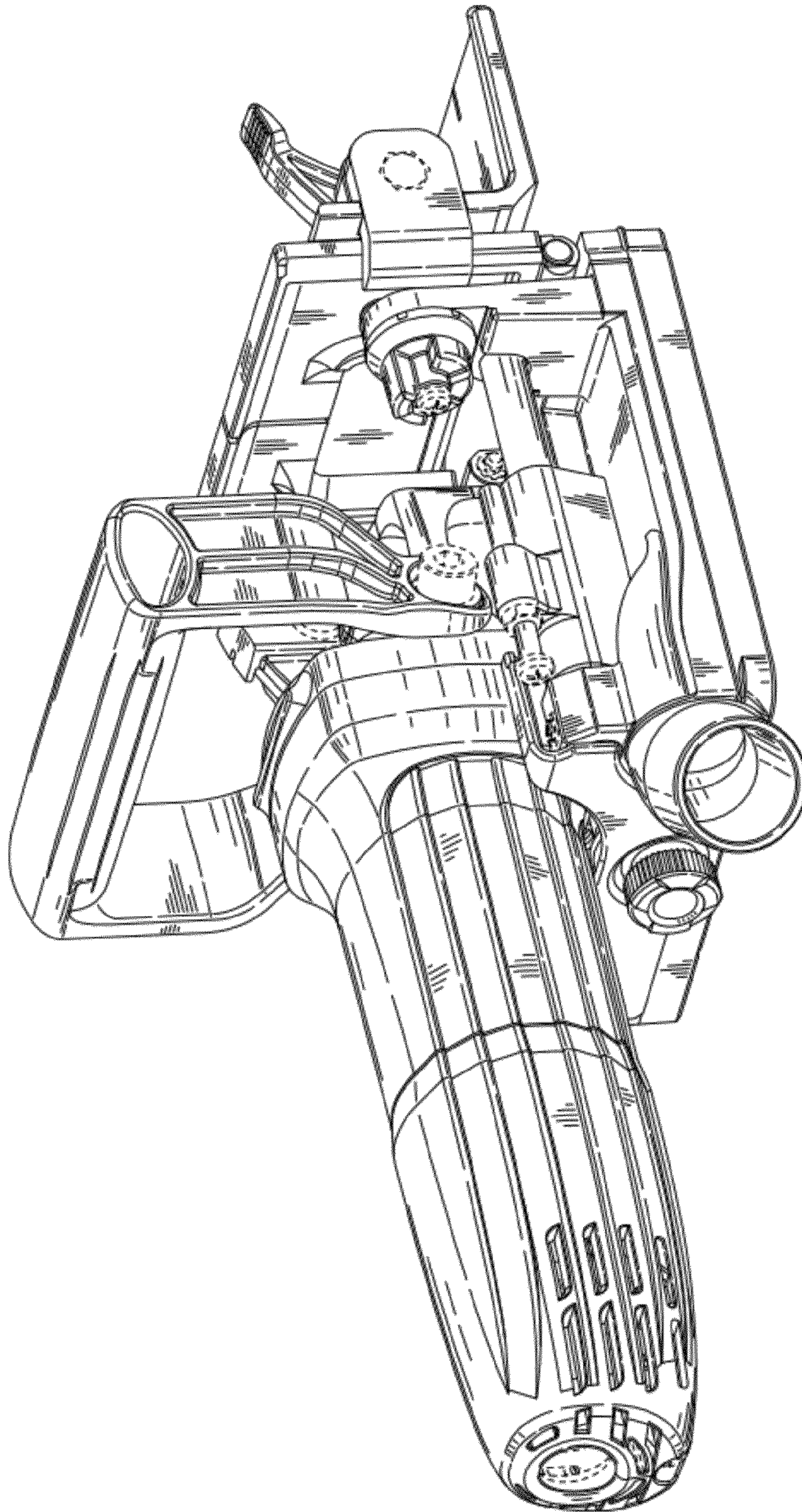


FIG. 8