



US00D669326S

(12) **United States Design Patent**
Vierck

(10) **Patent No.:** **US D669,326 S**

(45) **Date of Patent:** **** Oct. 23, 2012**

(54) **BALL HANDLE FOR A HANDHELD TOOL**

(75) Inventor: **Benjamin Edwin Vierck**, Phoenix, AZ
(US)

(73) Assignee: **MTD Products, Inc.**, Valley City, OH
(US)

(**) Term: **14 Years**

(21) Appl. No.: **29/400,343**

(22) Filed: **Aug. 26, 2011**

(51) **LOC (9) Cl.** **08-01**

(52) **U.S. Cl.** **D8/8**

(58) **Field of Classification Search** D8/8, 7,
D8/1, 9, 107; D15/17, 1; 30/276, 208–210,
30/347, 382–383; 56/12.7, 233–234

See application file for complete search history.

(56) **References Cited**

U.S. PATENT DOCUMENTS

6,581,246 B1 * 6/2003 Polette 16/429
D609,066 S * 2/2010 Tinius D8/8
D625,970 S * 10/2010 Tinius D8/1

D625,971 S * 10/2010 Tinius D8/1
* cited by examiner

Primary Examiner — Sheryl Lane

(74) *Attorney, Agent, or Firm* — Wegman, Hessler &
Vanderburg

(57) **CLAIM**

The ornamental design for a ball handle for a handheld tool,
as shown and described.

DESCRIPTION

FIG. 1 is a top perspective view of a ball handle for a handheld
tool of the present invention;

FIG. 2 is a magnified perspective view thereof;

FIG. 3 is a front view thereof;

FIG. 4 is a rear view thereof;

FIG. 5 is a top view thereof;

FIG. 6 is a bottom view thereof;

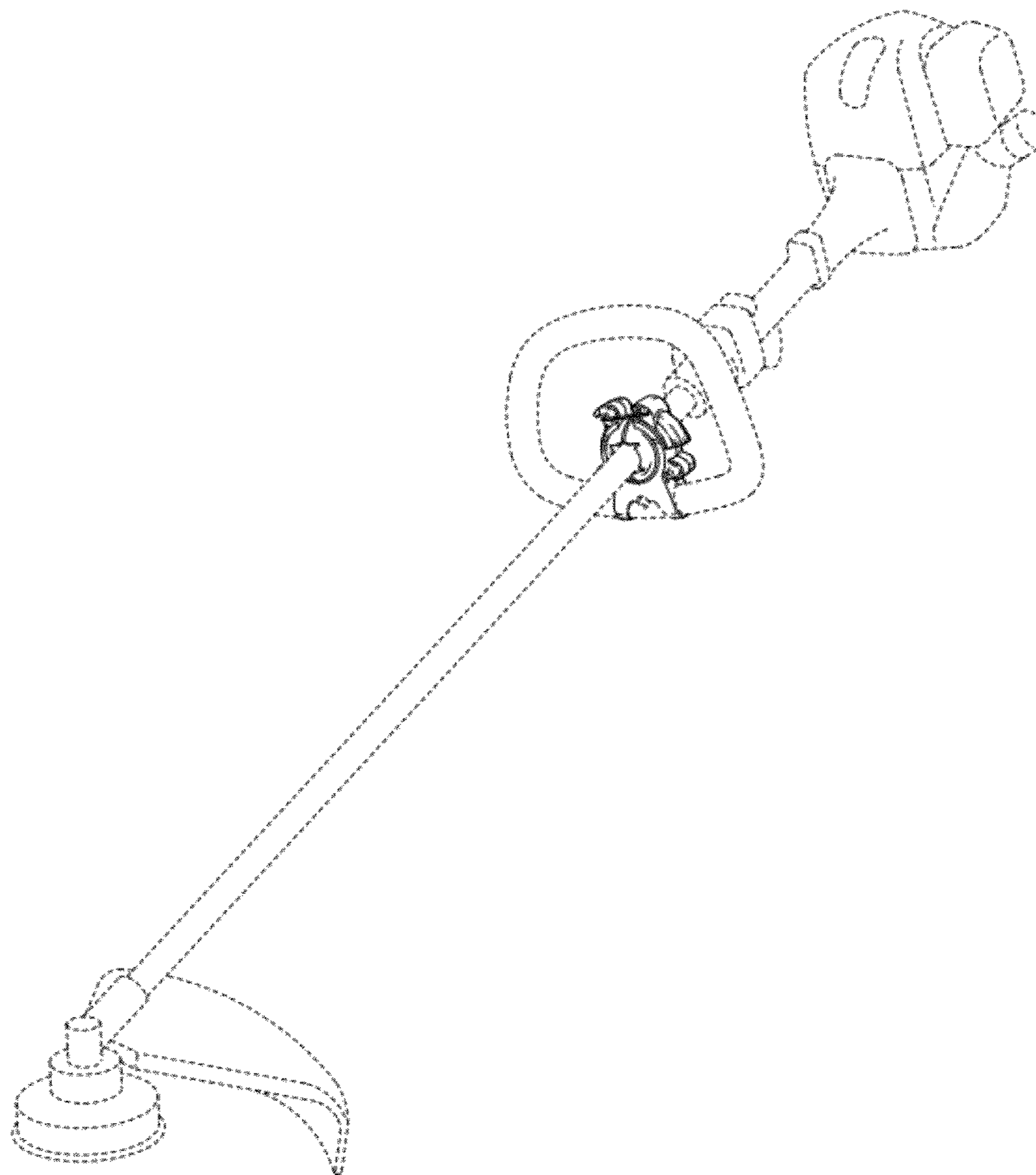
FIG. 7 is a right side view thereof; and,

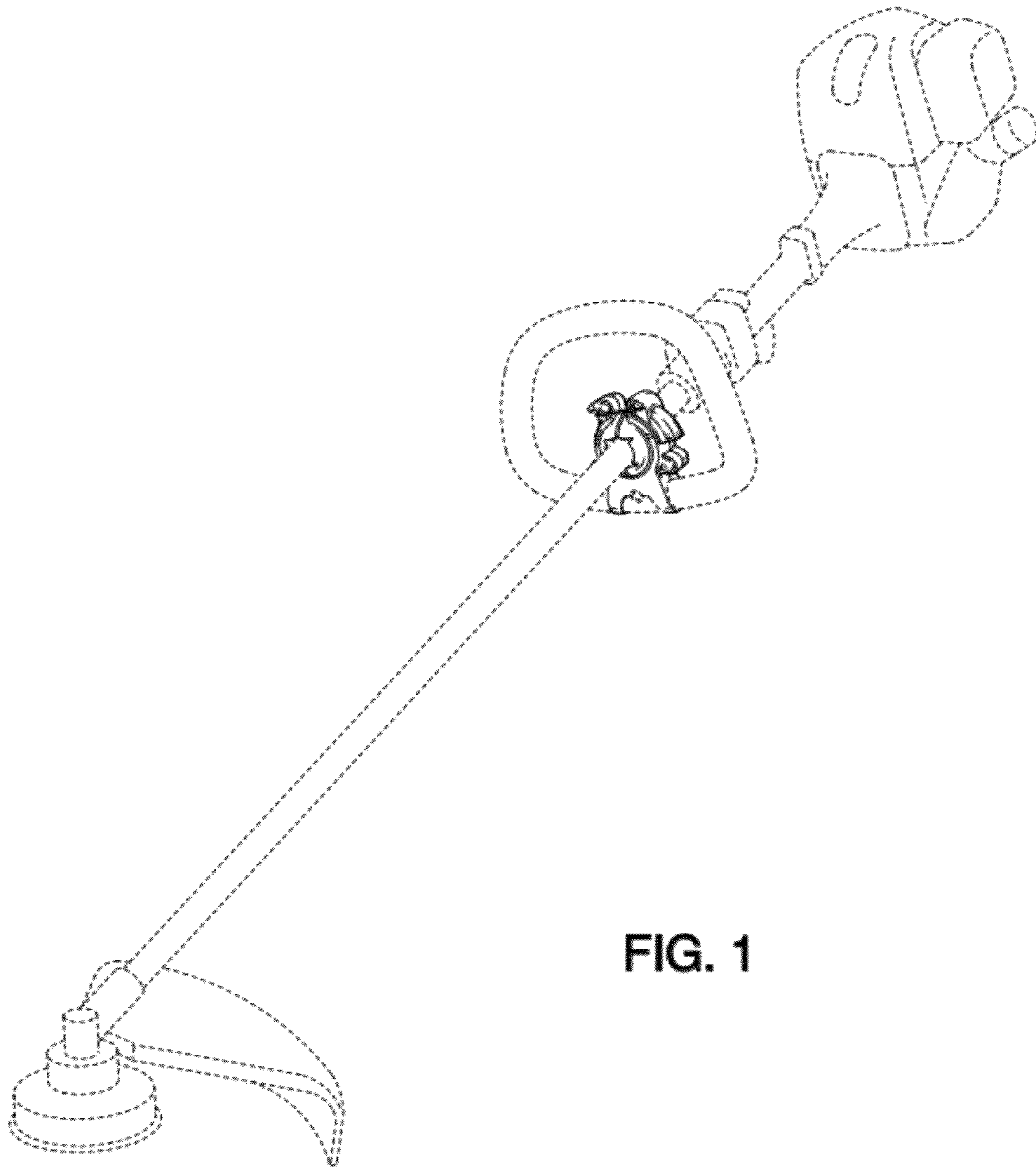
FIG. 8 is a left side view thereof.

The ornamental design which is claimed is shown in solid
lines in the drawings.

The broken lines are included for the purpose of illustrating
portions of the article and form no part of the claimed design.

1 Claim, 4 Drawing Sheets





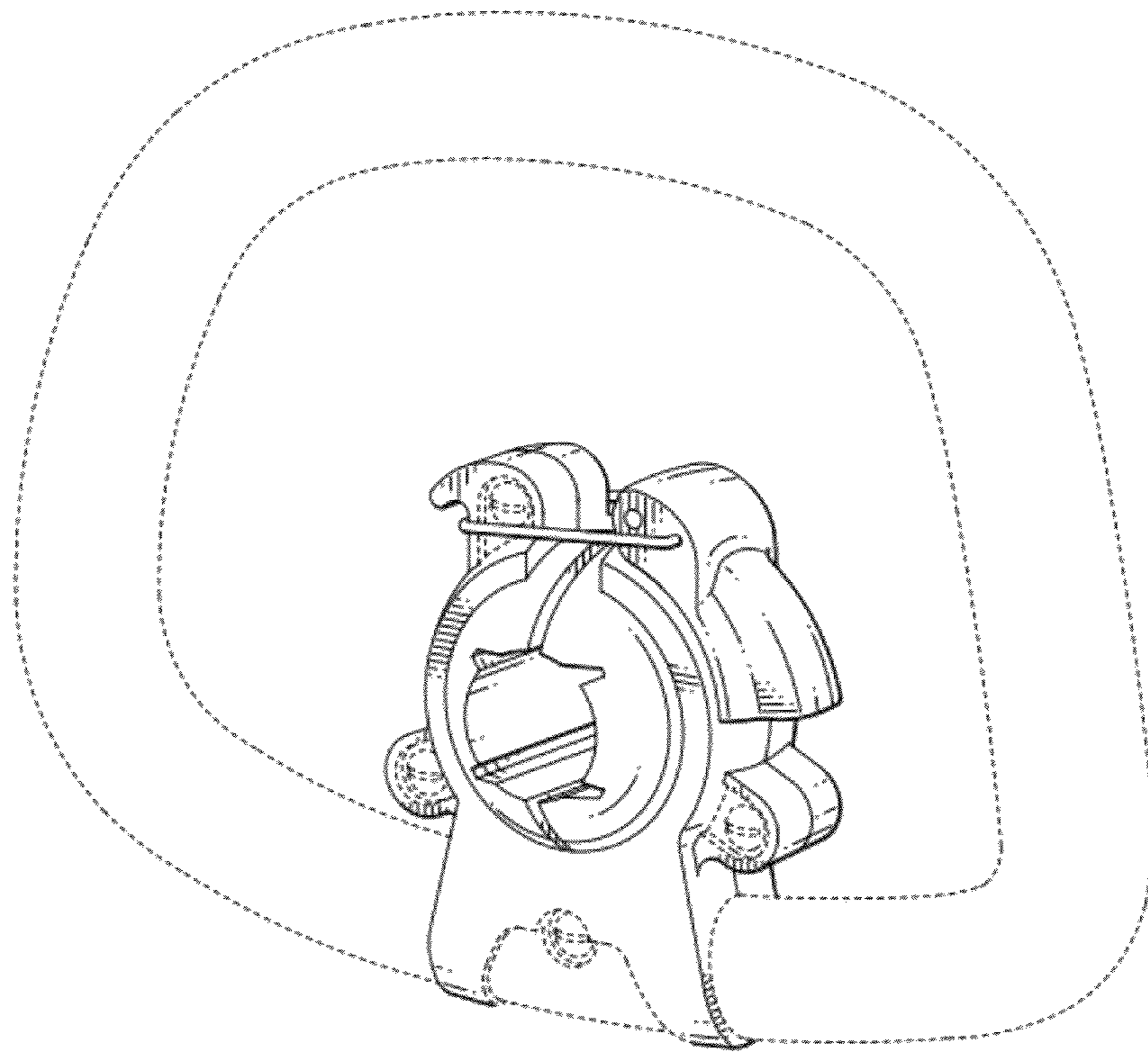


FIG. 2

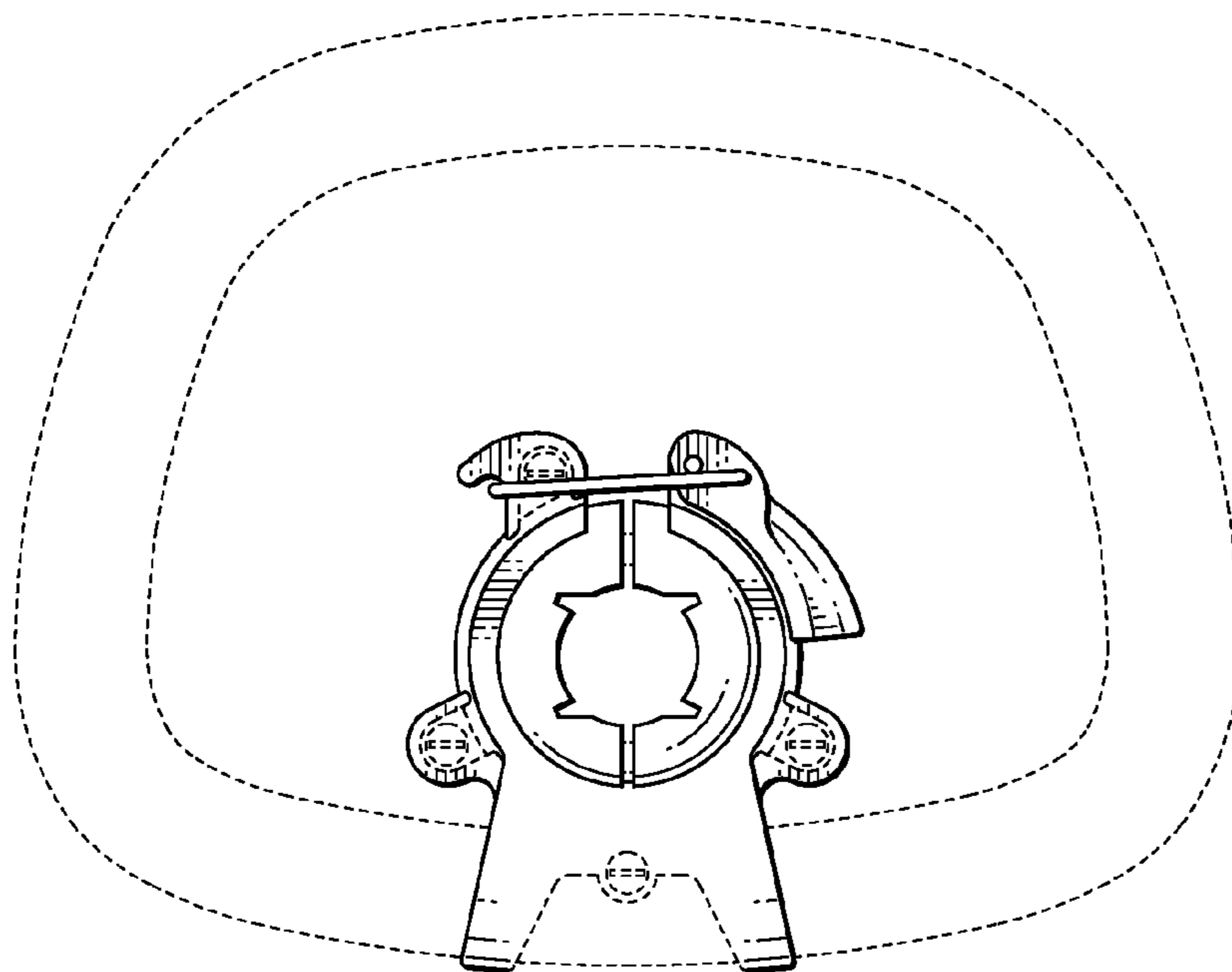


FIG. 3

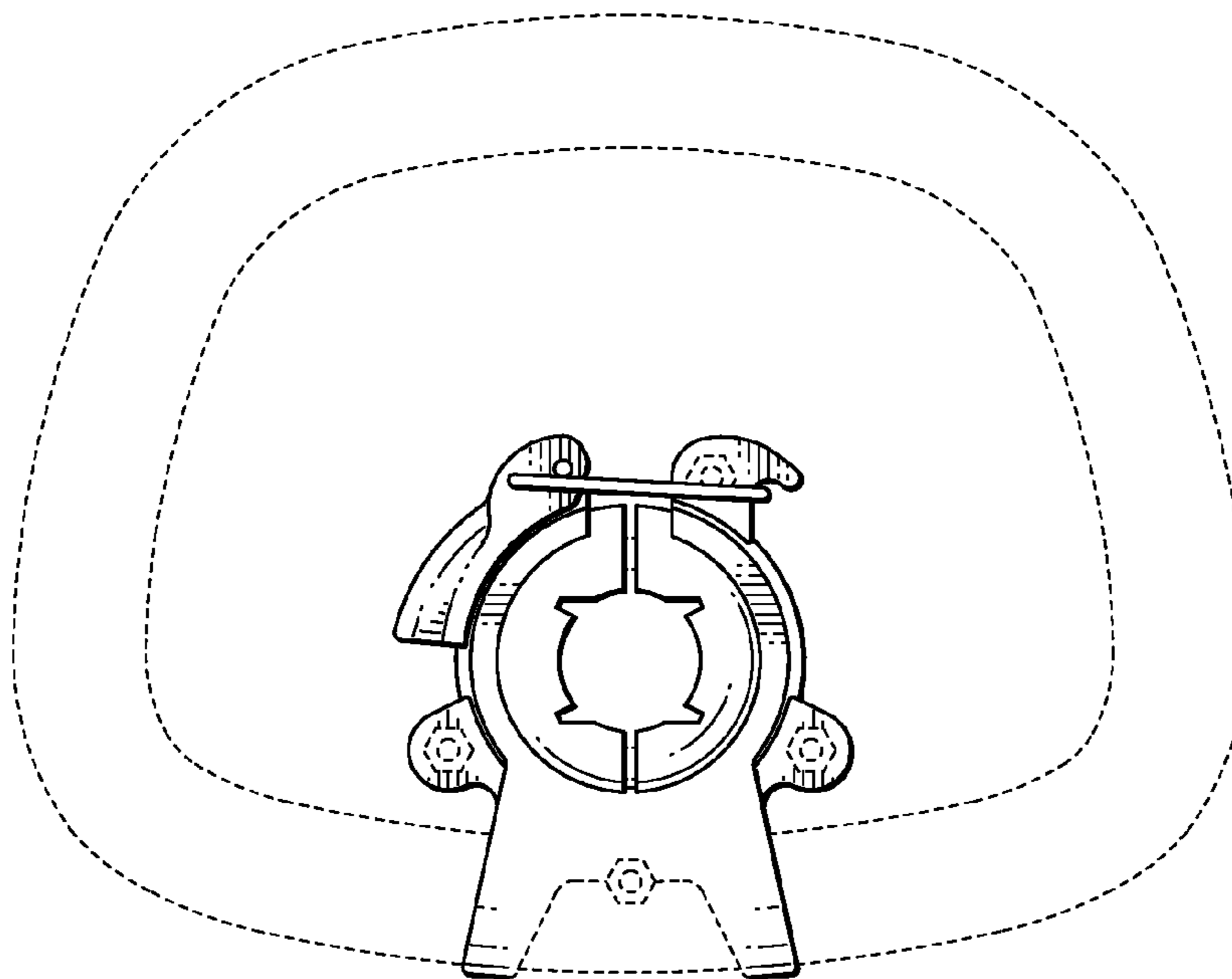


FIG. 4

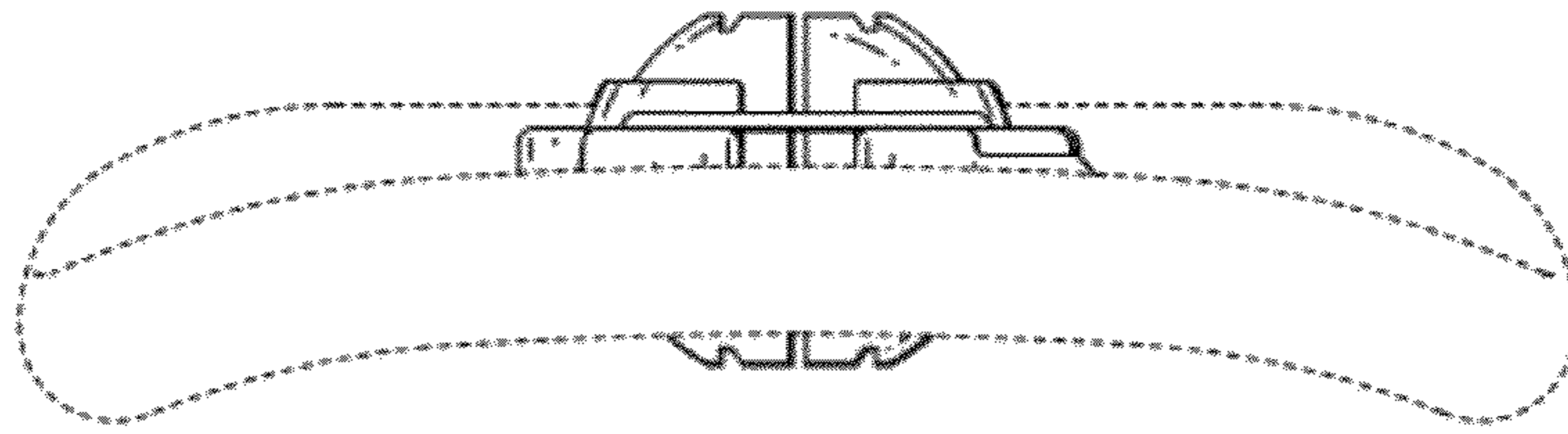


FIG. 5

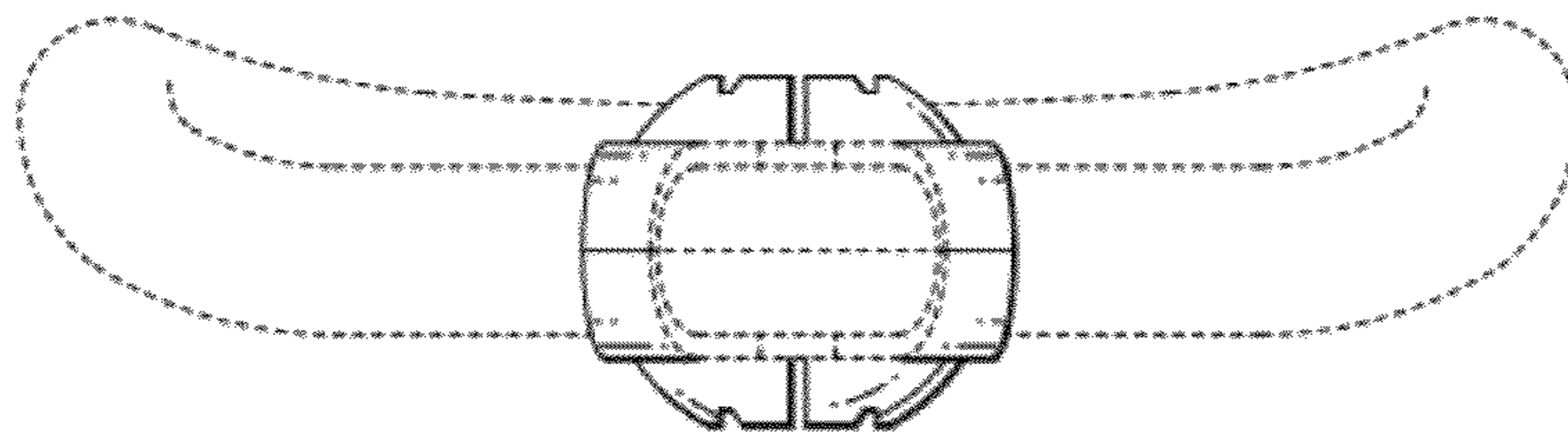


FIG. 6

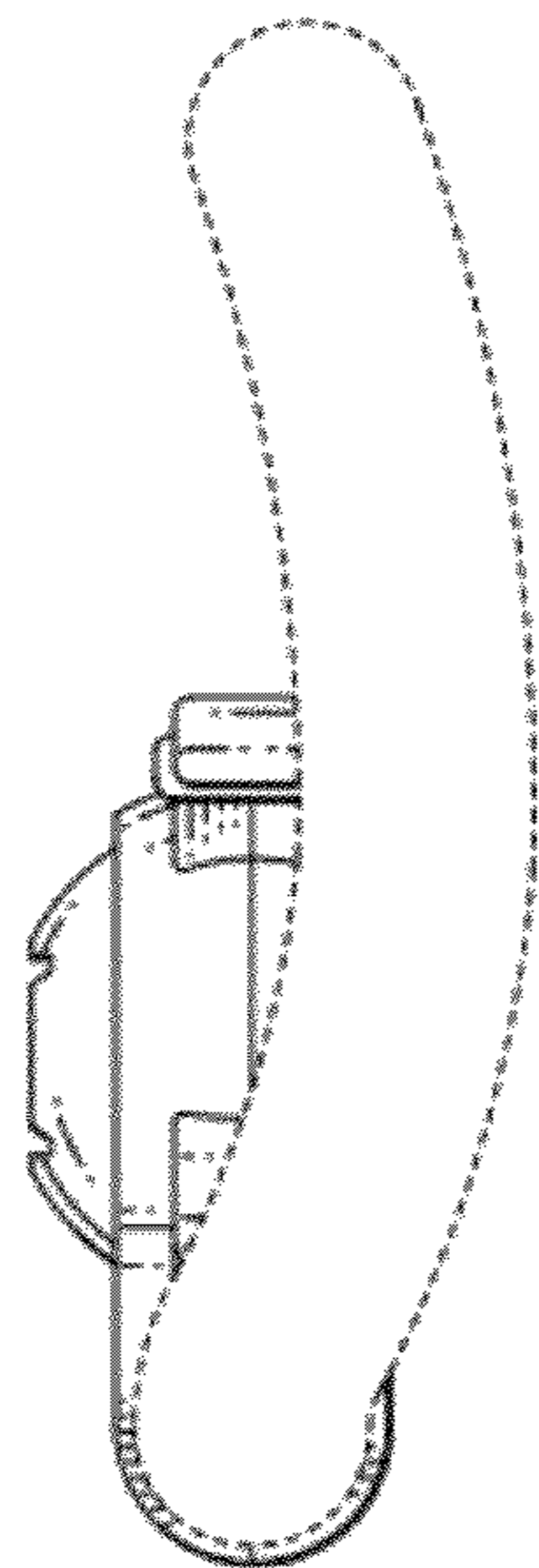


FIG. 7

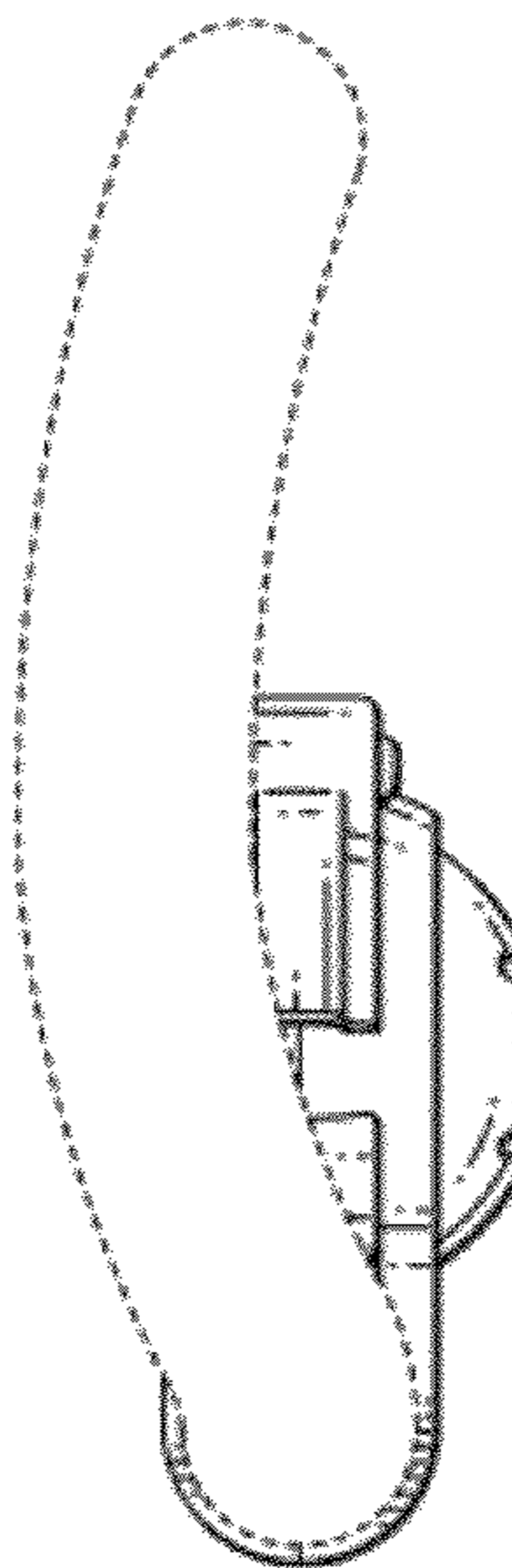


FIG. 8