

US00D669324S

(12) **United States Design Patent**
Bodum

(10) **Patent No.:** **US D669,324 S**

(45) **Date of Patent:** **** Oct. 23, 2012**

(54) **PEELER**

(75) Inventor: **Jorgen Bodum**, Meggen (CH)

(73) Assignee: **Pi-Design AG**, Triengen (CH)

(**) Term: **14 Years**

(21) Appl. No.: **29/403,401**

(22) Filed: **Oct. 5, 2011**

(30) **Foreign Application Priority Data**

Apr. 26, 2011 (WO) DM/075 860

(51) **LOC (9) Cl.** **07-04**

(52) **U.S. Cl.** **D7/693**

(58) **Field of Classification Search** D7/693,
D7/669, 368, 672, 673; 99/537-544, 584,
99/588-599, 515

See application file for complete search history.

(56) **References Cited**

U.S. PATENT DOCUMENTS

- 243,035 A 6/1881 Geer
- 255,856 A 4/1882 Heizmann
- 256,800 A 4/1882 Holton
- 508,137 A 11/1893 Huefner
- 3,211,202 A * 10/1965 Mason 99/592
- 4,350,088 A * 9/1982 Rubio, Jr. 99/538

- 5,105,735 A * 4/1992 Gonzalvo 99/590
- 5,950,528 A * 9/1999 Wang 99/542
- 6,516,713 B1 * 2/2003 Holmander 99/541
- 6,854,383 B2 2/2005 Wang
- 7,077,058 B2 * 7/2006 Muro 99/541

FOREIGN PATENT DOCUMENTS

DE 2848628 A1 5/1980

* cited by examiner

Primary Examiner — Terry Wallace

(74) *Attorney, Agent, or Firm* — Sughrue Mion, PLLC

(57) **CLAIM**

The ornamental design for a peeler, as shown and described.

DESCRIPTION

FIG. 1 is an isometric perspective view of a peeler showing my new design;

FIG. 2 is a right side view thereof;

FIG. 3 is a left side view thereof;

FIG. 4 is a front side view thereof;

FIG. 5 is a back side view thereof;

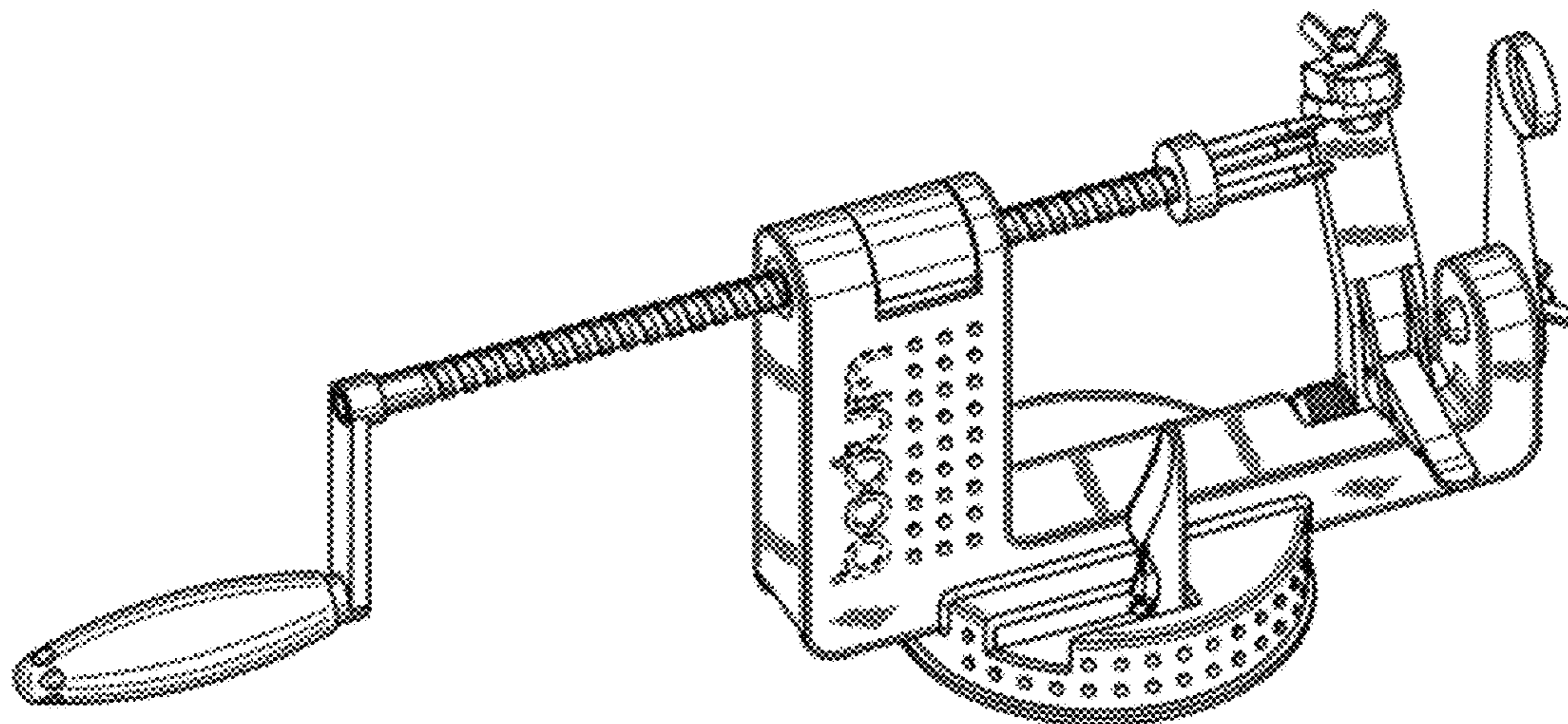
FIG. 6 is a top side view thereof;

FIG. 7 is a bottom view thereof; and,

FIG. 8 is an isometric perspective view thereof for a different mode of operation.

The broken lines depict environmental subject matter only and from no part of the claimed design.

1 Claim, 8 Drawing Sheets



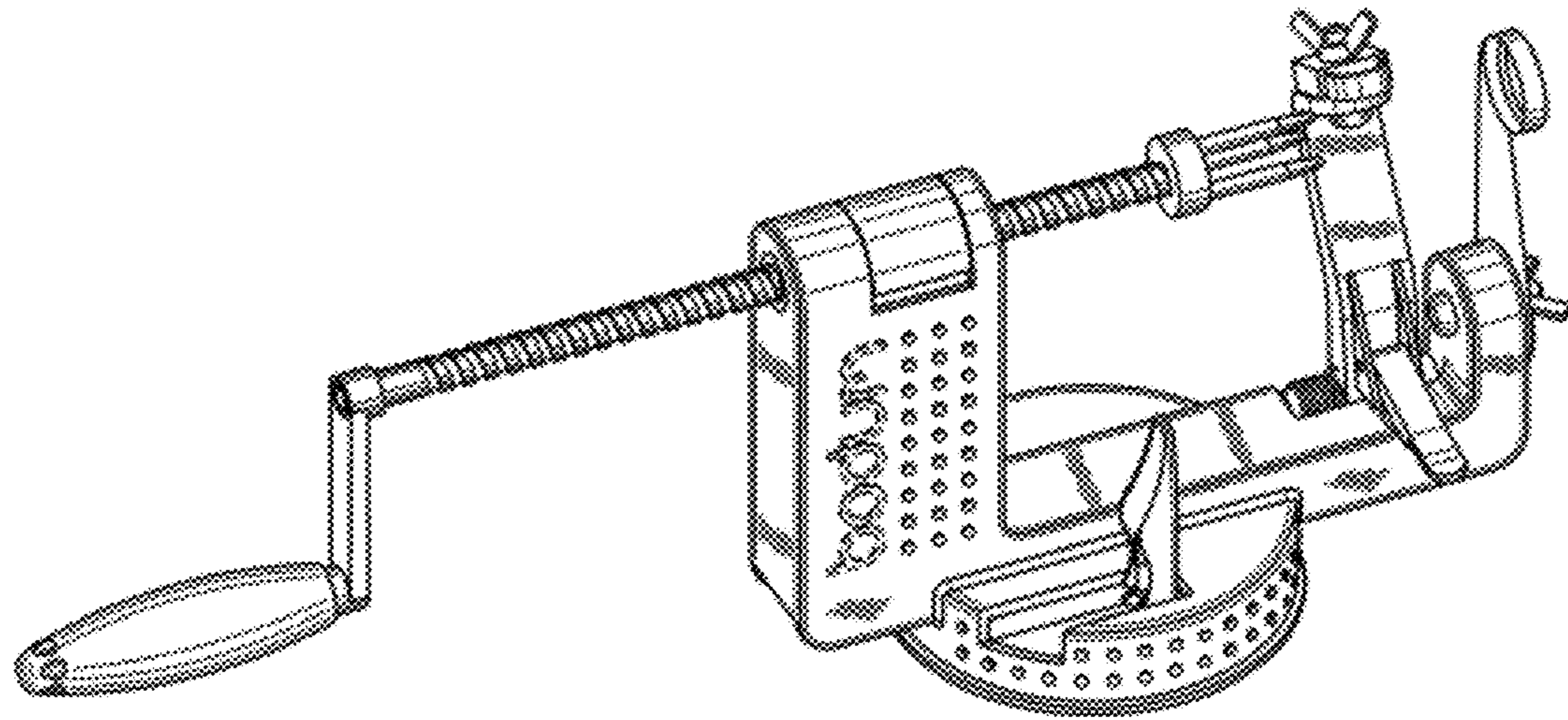


FIGURE 1

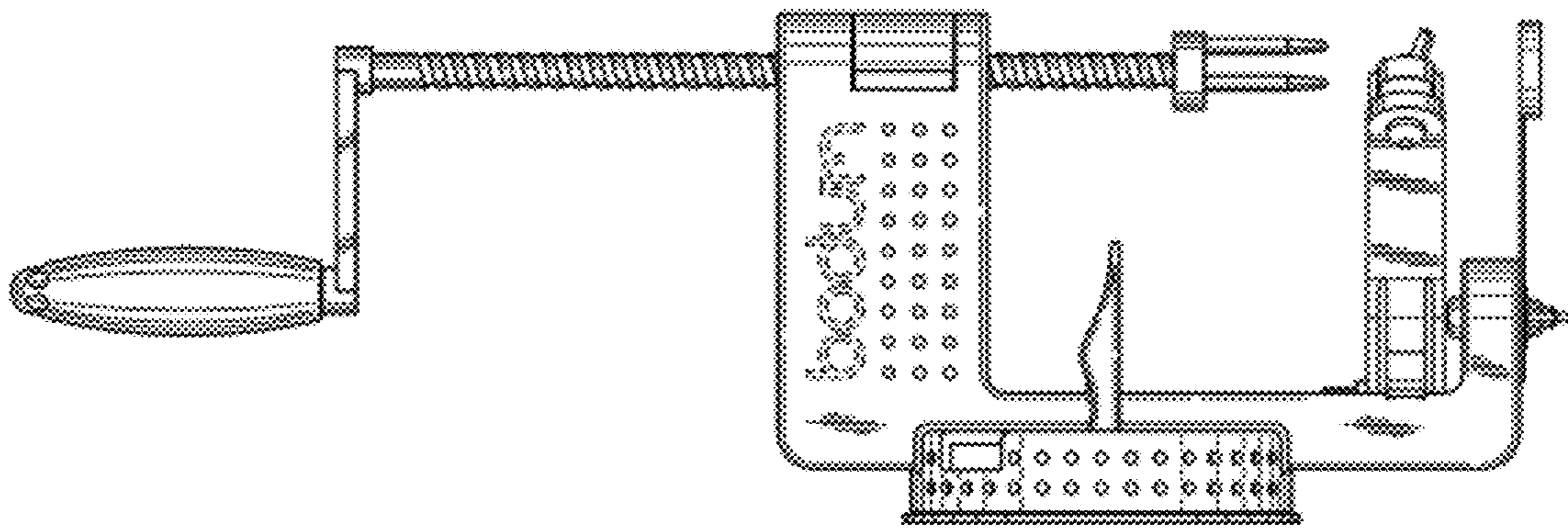


FIGURE 2

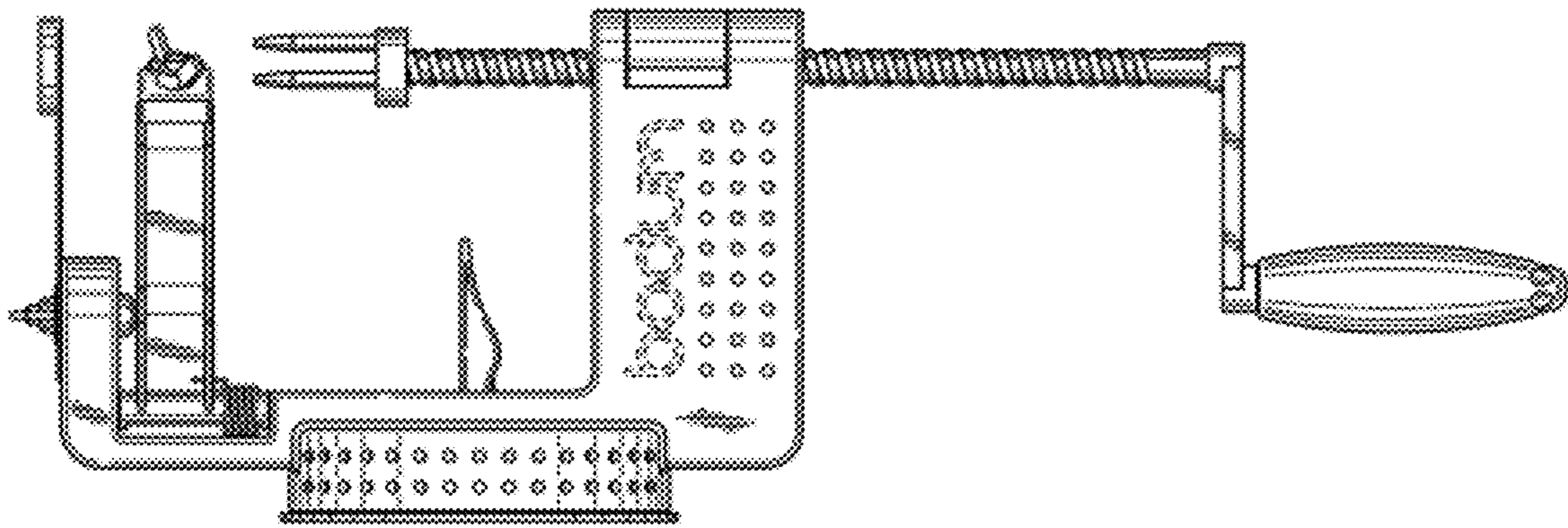


FIGURE 3

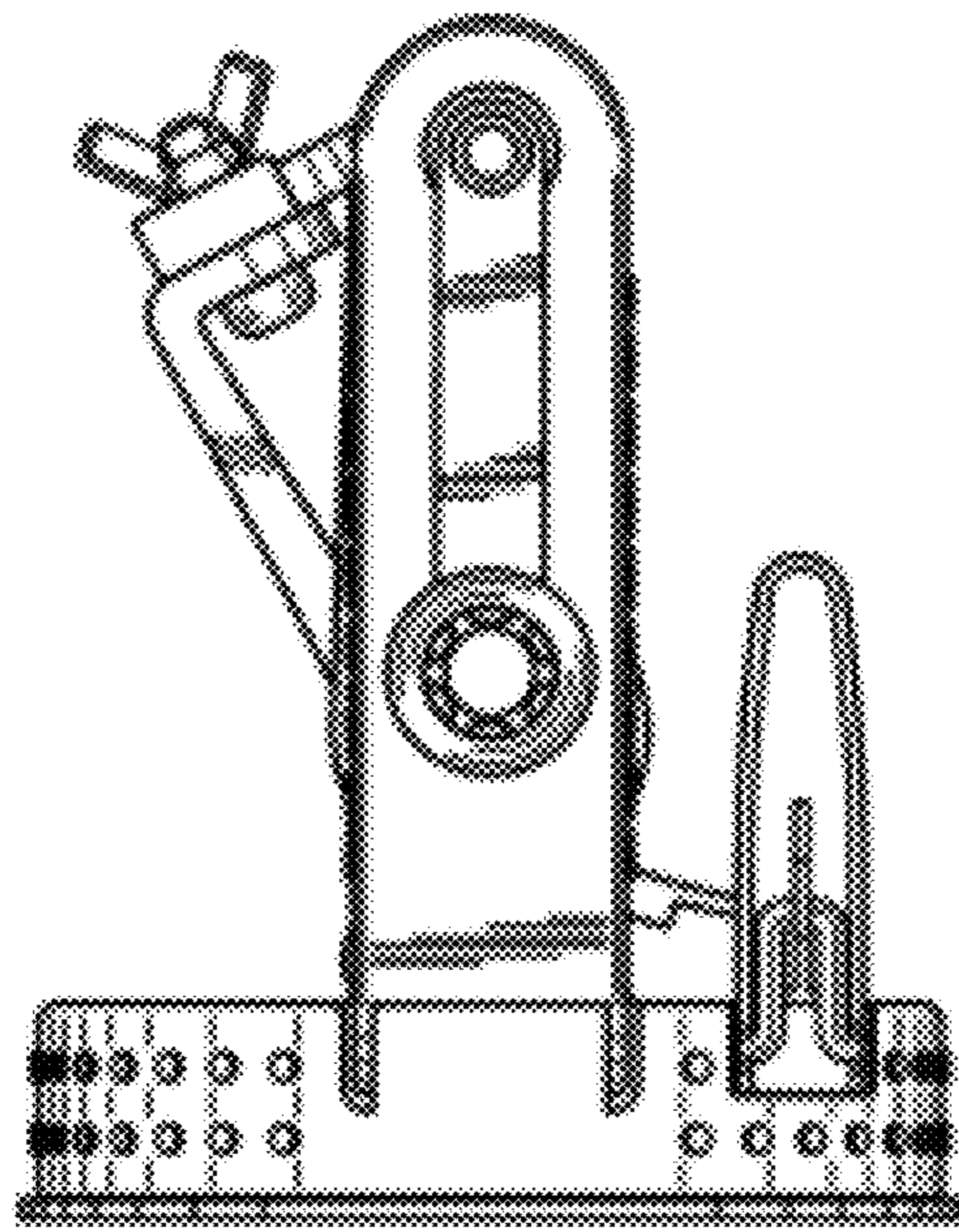


FIGURE 4

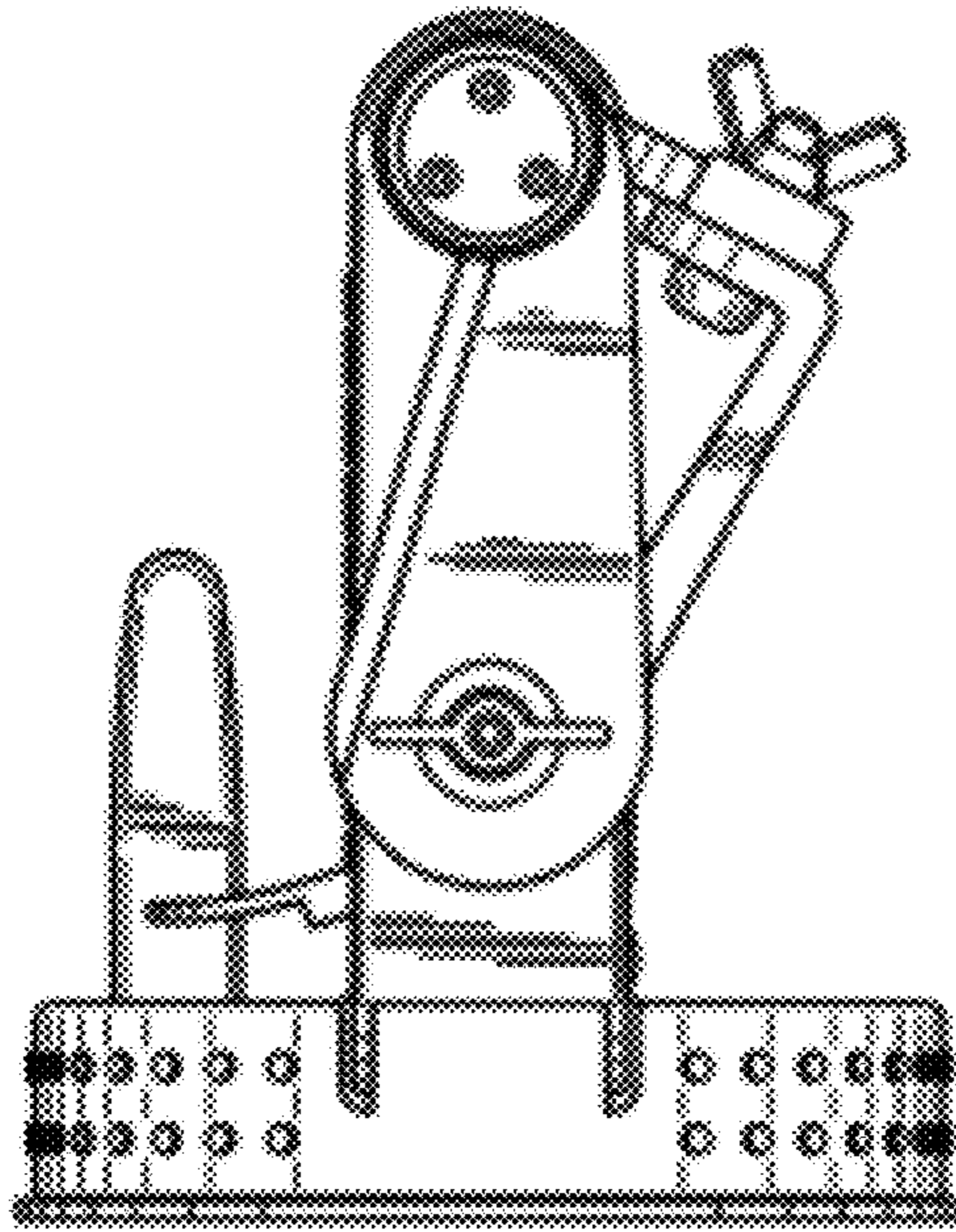


FIGURE 5

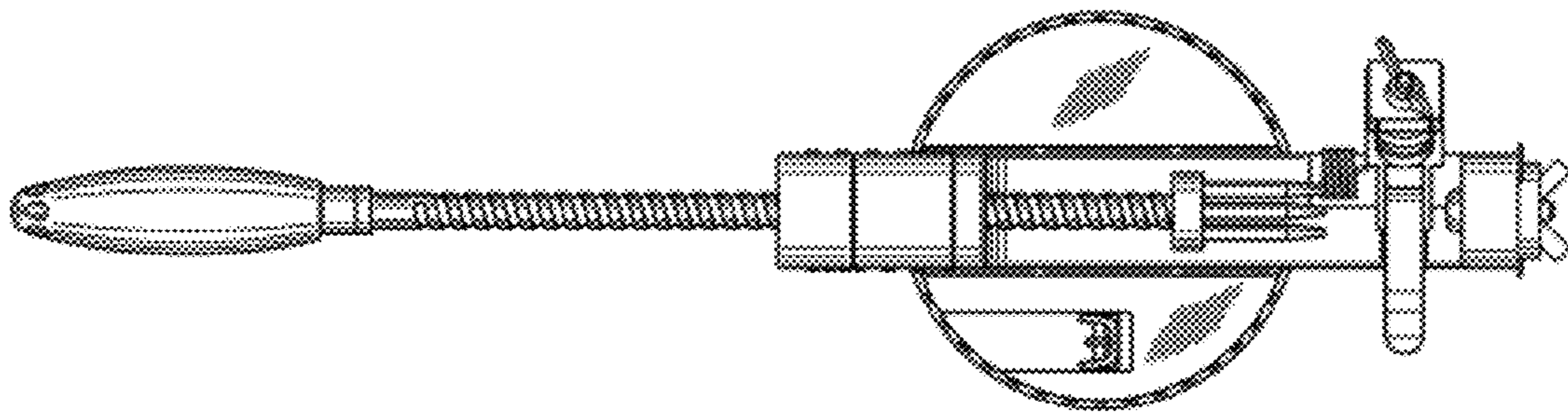


FIGURE 6

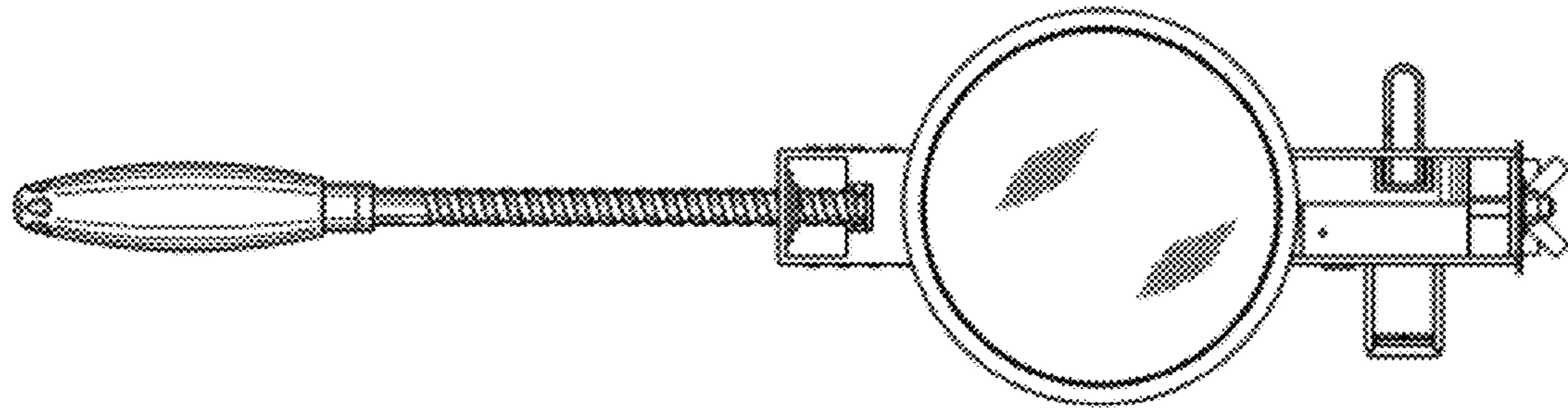


FIGURE 7

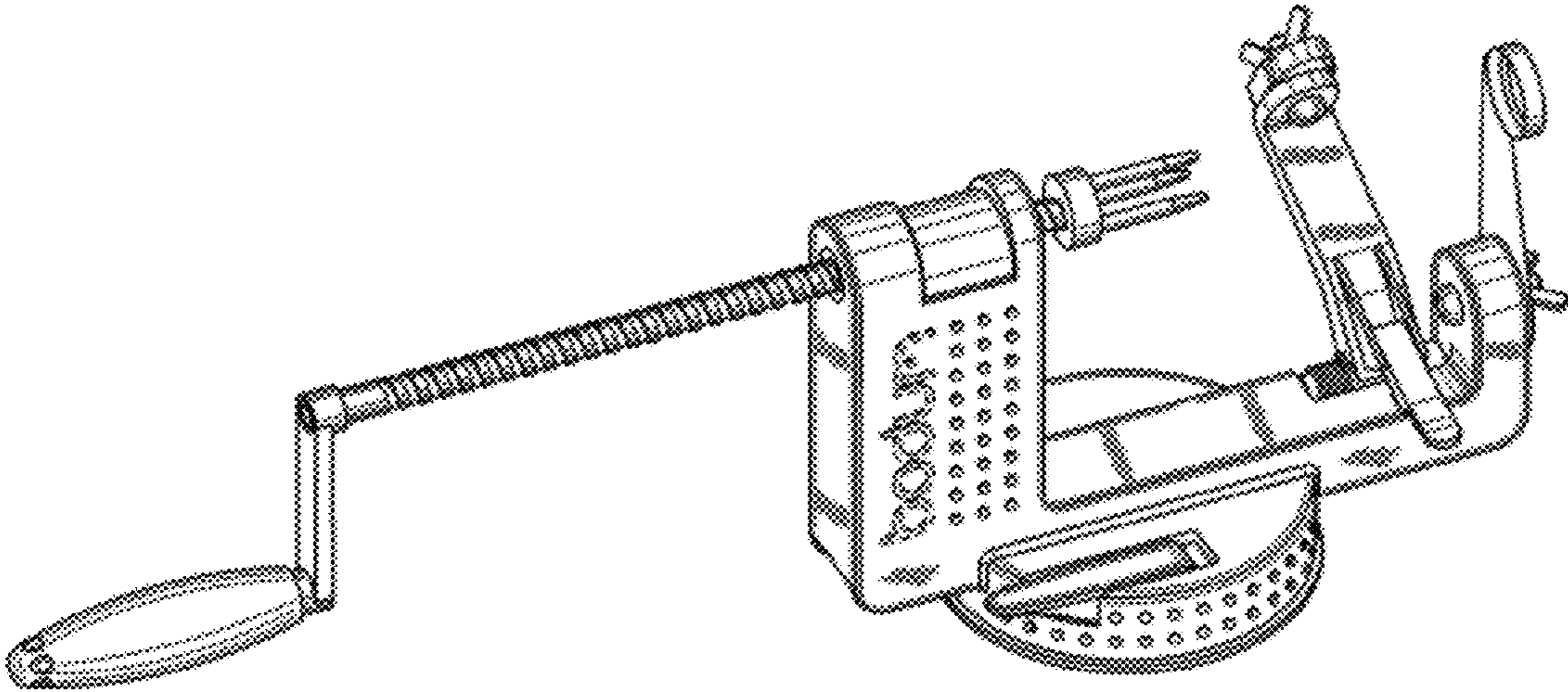


FIGURE 8