



US00D669323S

(12) **United States Design Patent**
Gorowski

(10) **Patent No.:** **US D669,323 S**

(45) **Date of Patent:** **** *Oct. 23, 2012**

(54) **MEAT TENDERIZING MALLET**

(56) **References Cited**

(76) Inventor: **Wiktor E. Gorowski**, Opatowiec (PL)

U.S. PATENT DOCUMENTS

(*) Notice: This patent is subject to a terminal disclaimer.

1,996,949	A *	4/1935	Bosworth et al.	452/146
D117,967	S *	12/1939	Beltram	D7/682
2,445,872	A *	7/1948	Burkett	452/146
3,045,348	A *	7/1962	Dungan	30/304
4,257,144	A *	3/1981	Takegoshi et al.	452/146
D291,762	S *	9/1987	Collins, Sr.	D7/682
7,862,408	B1 *	1/2011	Weinstein	452/146
2005/0239388	A1 *	10/2005	Gorowski	452/141

(**) Term: **14 Years**

* cited by examiner

(21) Appl. No.: **29/374,327**

Primary Examiner — Terry Wallace

(22) Filed: **Aug. 1, 2011**

(74) Attorney, Agent, or Firm — Michael J. Musella; Dilworth & Barrese, LLP.

(30) **Foreign Application Priority Data**

(57) **CLAIM**

The ornamental design for the meat tenderizing mallet, as shown.

Feb. 10, 2011 (PL) WP.17807

DESCRIPTION

(51) **LOC (9) Cl.** **07-04**

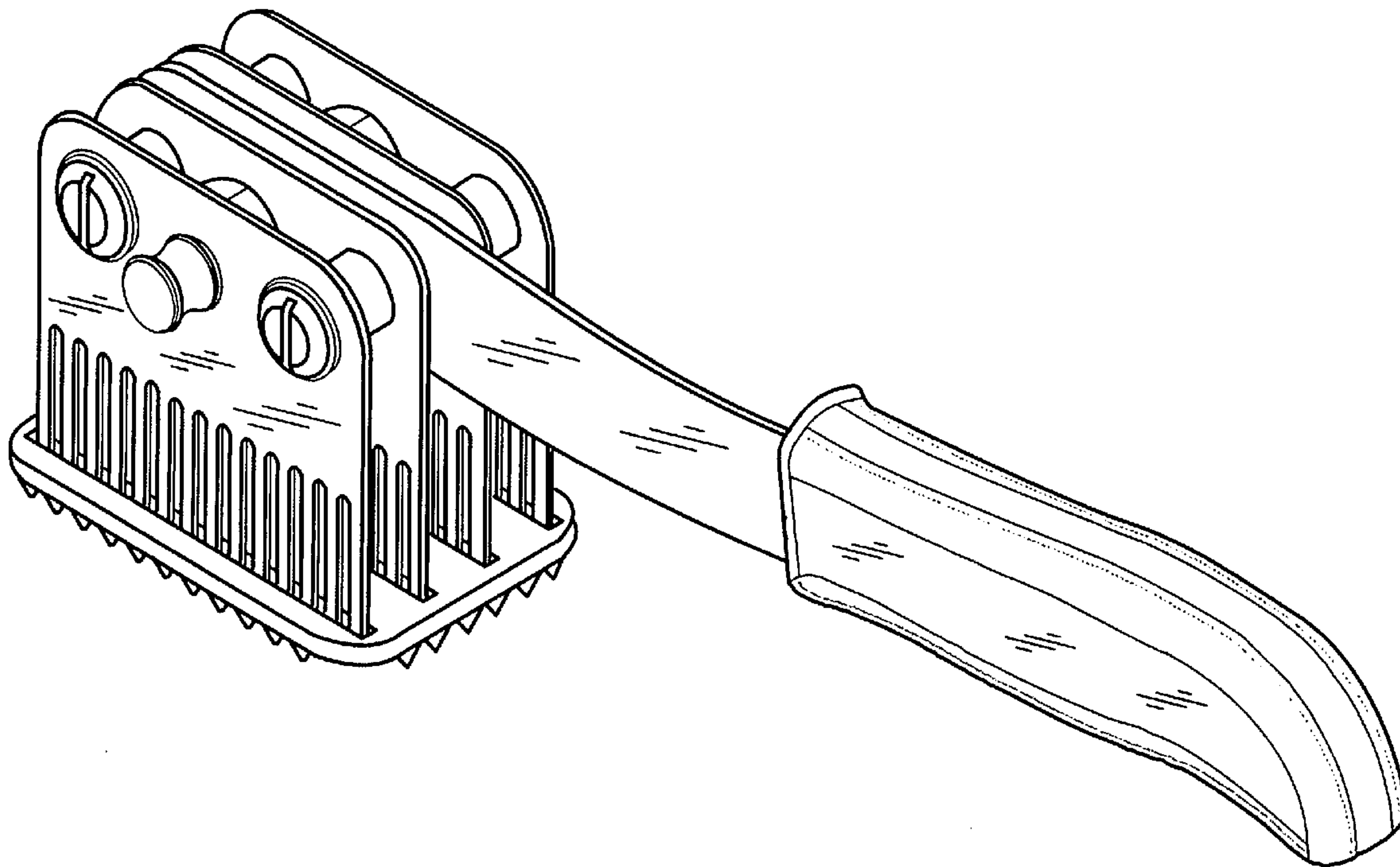
FIG. 1 is a side view of a cutter showing my new design, the opposite side being a mirror image;
FIG. 2 is a top view thereof;
FIG. 3 is a bottom view thereof;
FIG. 4 is a front view thereof;
FIG. 5 is a rear view thereof; and,
FIG. 6 is a perspective view thereof.

(52) **U.S. Cl.** **D7/682**

(58) **Field of Classification Search** D7/682,
D7/683, 693, 695, 368, 669; 30/114, 142,
30/286, 298.4; 452/102, 141, 145-147; 241/168,
241/169, 169.1, 169.2

See application file for complete search history.

1 Claim, 5 Drawing Sheets



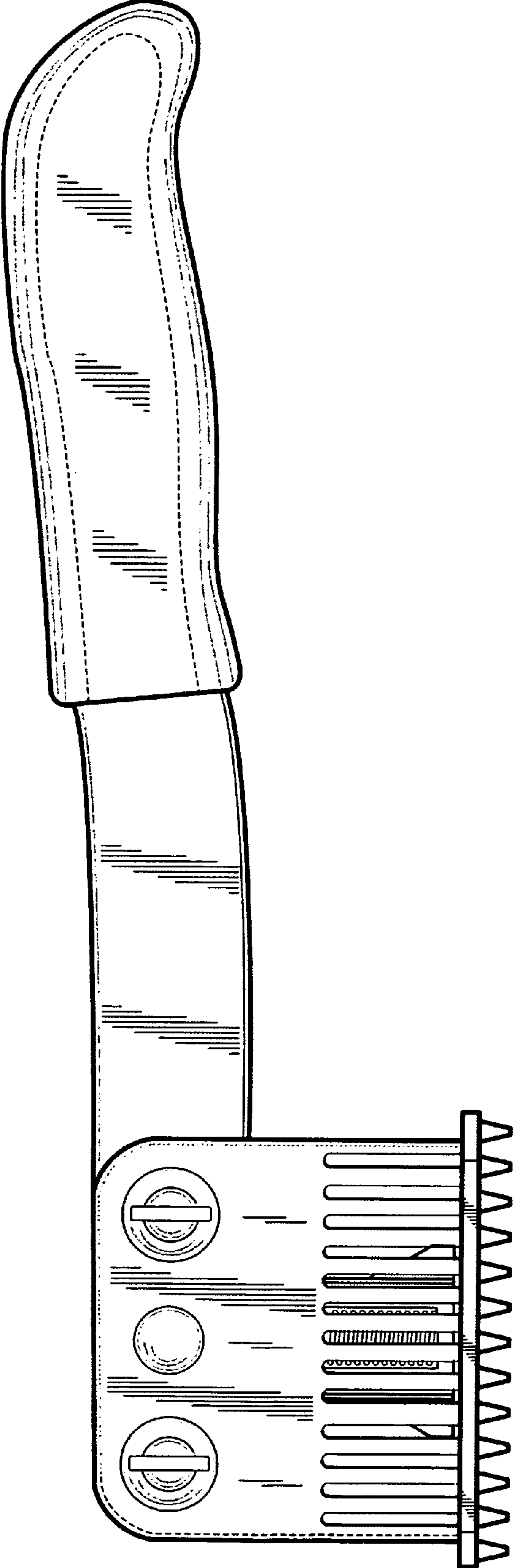


Fig. 1

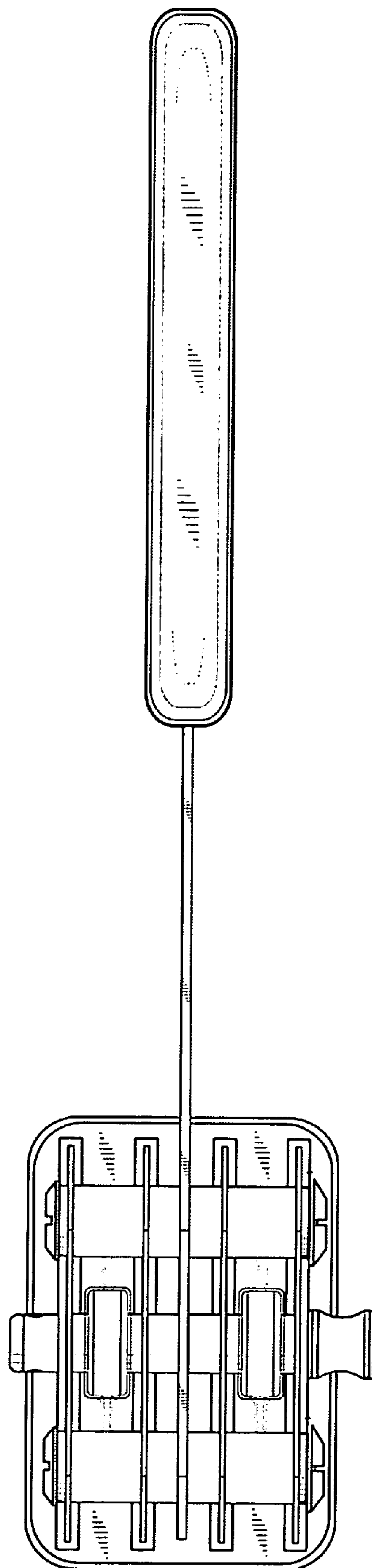


Fig. 2

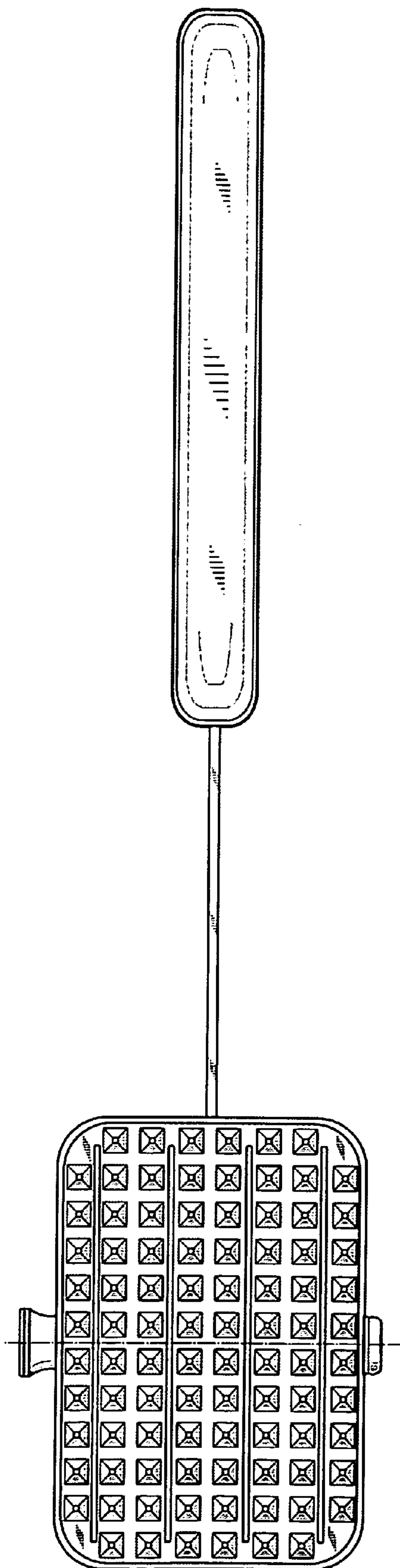


Fig. 3

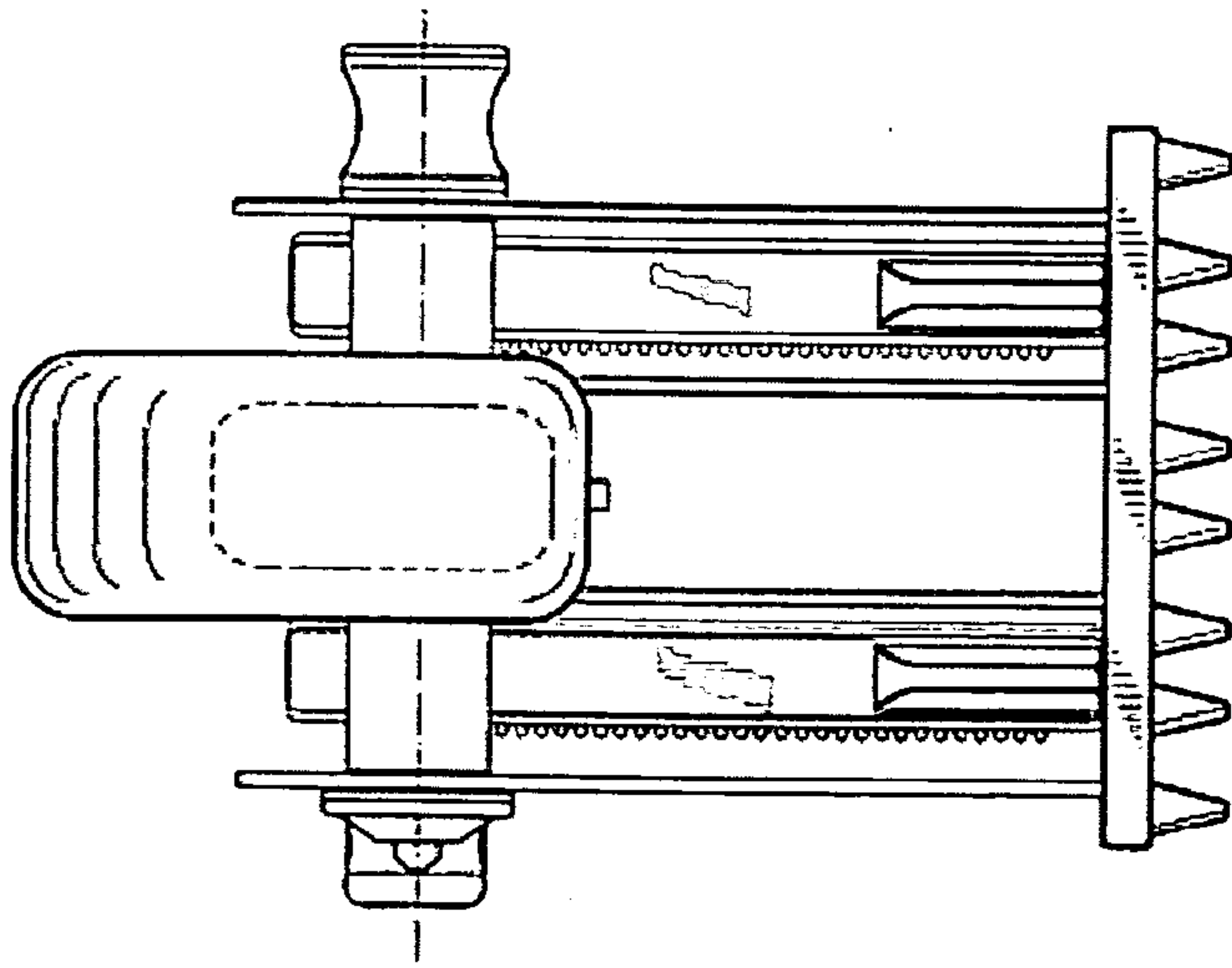


Fig. 5

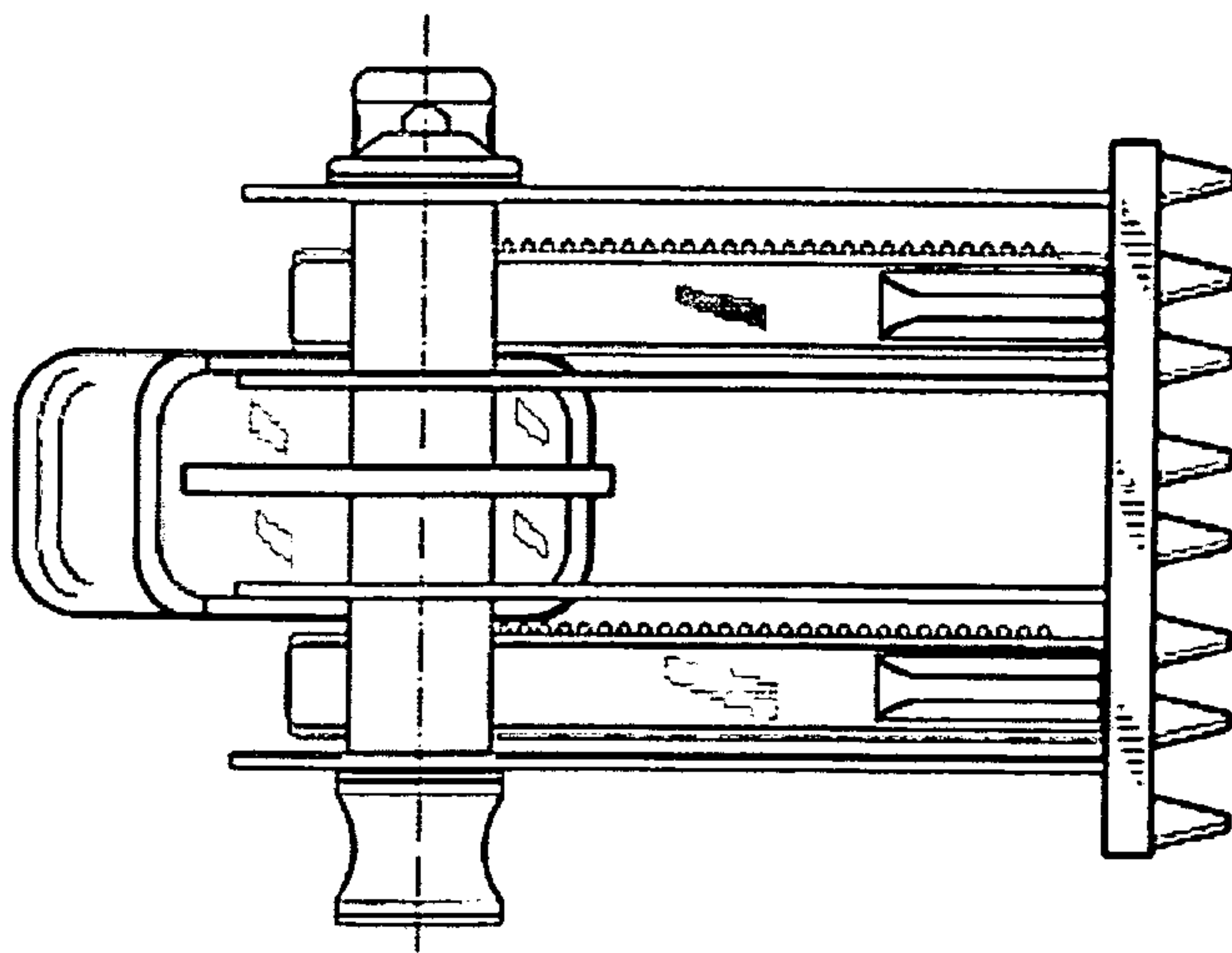


Fig. 4

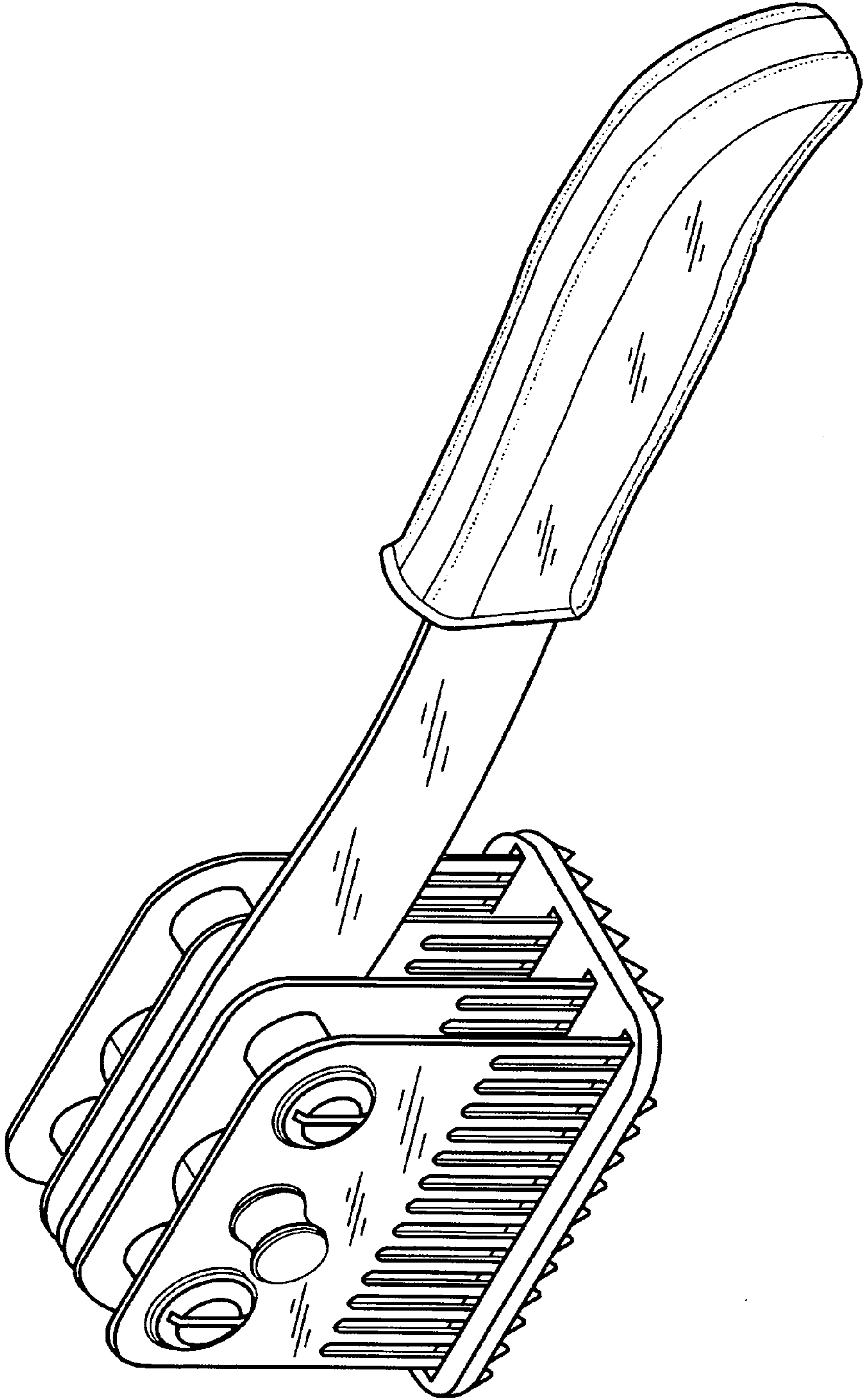


Fig. 6