



US00D669321S

(12) **United States Design Patent**
Pezzini

(10) **Patent No.:** **US D669,321 S**

(45) **Date of Patent:** **** Oct. 23, 2012**

(54) **KNIFE HOLDER**

(75) Inventor: **Gabriele Pezzini**, Quarry Bay (HK)

(73) Assignee: **Compagnie des Arts de la Table**, Paris (FR)

(**) Term: **14 Years**

(21) Appl. No.: **29/409,445**

(22) Filed: **Dec. 22, 2011**

(30) **Foreign Application Priority Data**

Aug. 9, 2011 (EM) DM/076 965

(51) **LOC (9) Cl.** **07-99**

(52) **U.S. Cl.** **D7/637**

(58) **Field of Classification Search** D7/637-641,
D7/600.1-600.4; 211/69.1-69.9, 70.6, 70.7,
211/71.01, 41.2, 41.3, 41.7, 60.1; 248/37.3,
248/174

See application file for complete search history.

(56) **References Cited**

U.S. PATENT DOCUMENTS

4,423,552 A * 1/1984 Bourgein et al. 30/298.4
4,509,651 A * 4/1985 Prindle 211/70.6
D280,587 S * 9/1985 Carlson D7/637
4,693,439 A * 9/1987 Hahn 248/37.6
D360,810 S * 8/1995 Humaj D7/637

6,371,312 B1 * 4/2002 Tsuchida 211/70.7
D517,377 S * 3/2006 Tetreault D7/637
2007/0278165 A1 * 12/2007 Ranieri 211/70.7

* cited by examiner

Primary Examiner — Terry Wallace

(74) *Attorney, Agent, or Firm* — Foley & Lardner LLP

(57) **CLAIM**

I claim the ornamental design for a knife holder, as shown and described.

DESCRIPTION

FIG. 1 is a front view of a knife holder of the claimed design; FIG. 2 is a rear view of the knife holder shown in FIG. 1; FIG. 3 is a right side view of the knife holder shown in FIG. 1; FIG. 4 is a left side view of the knife holder shown in FIG. 1; FIG. 5 is a top view of the knife holder shown in FIG. 1; FIG. 6 is a bottom view of the knife holder shown in FIG. 1; FIG. 7 is a front perspective view of the knife holder shown in FIG. 1; and, FIG. 8 is a back perspective view of the knife holder shown in FIG. 1 holding knives, which are shown as environment in broken lines.

The ornamental design which is claimed is shown in solid lines in the drawings. Any broken lines in the drawings are for illustrative purposes only and form no part of the claimed design.

1 Claim, 8 Drawing Sheets

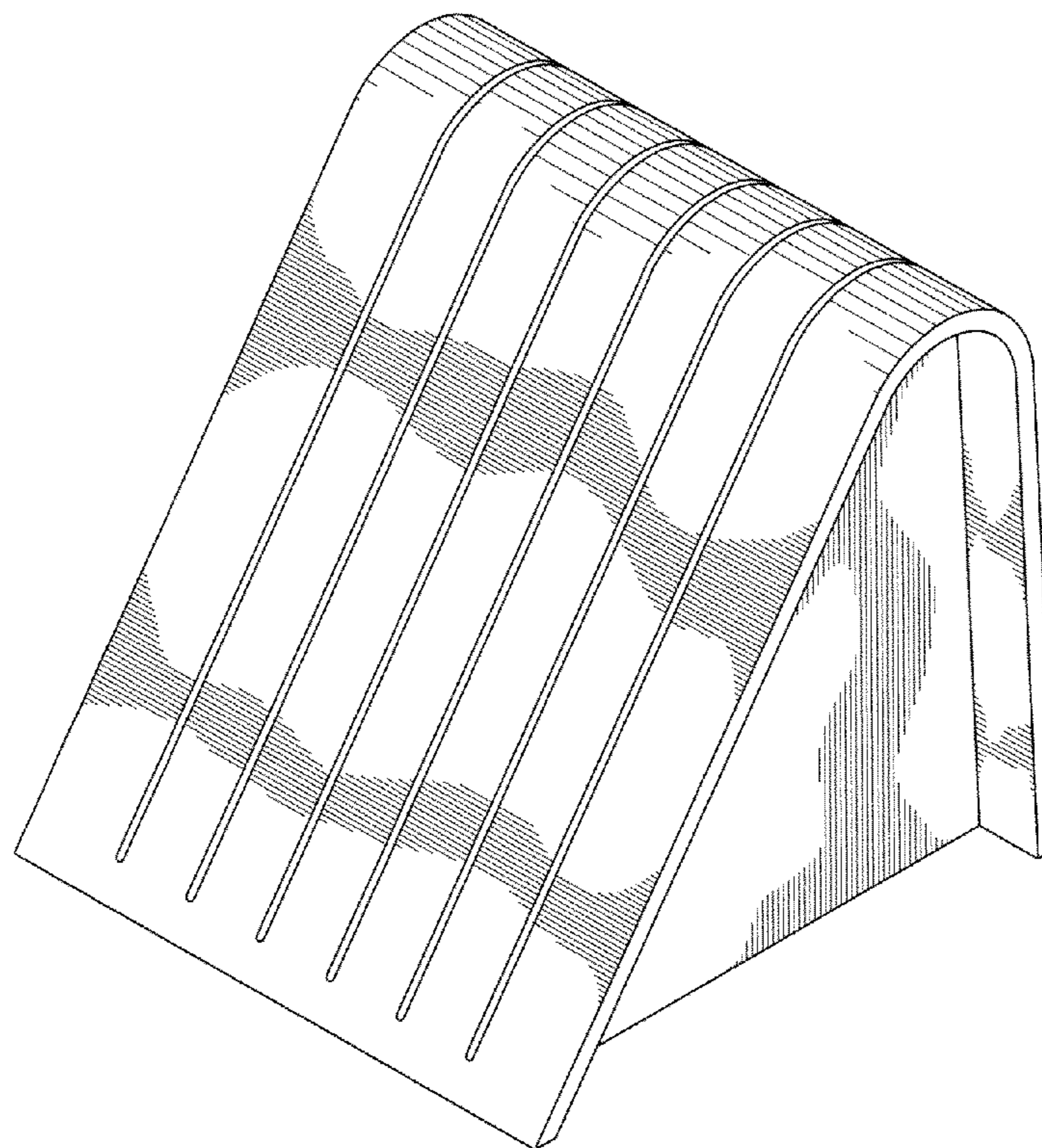


Fig. 1

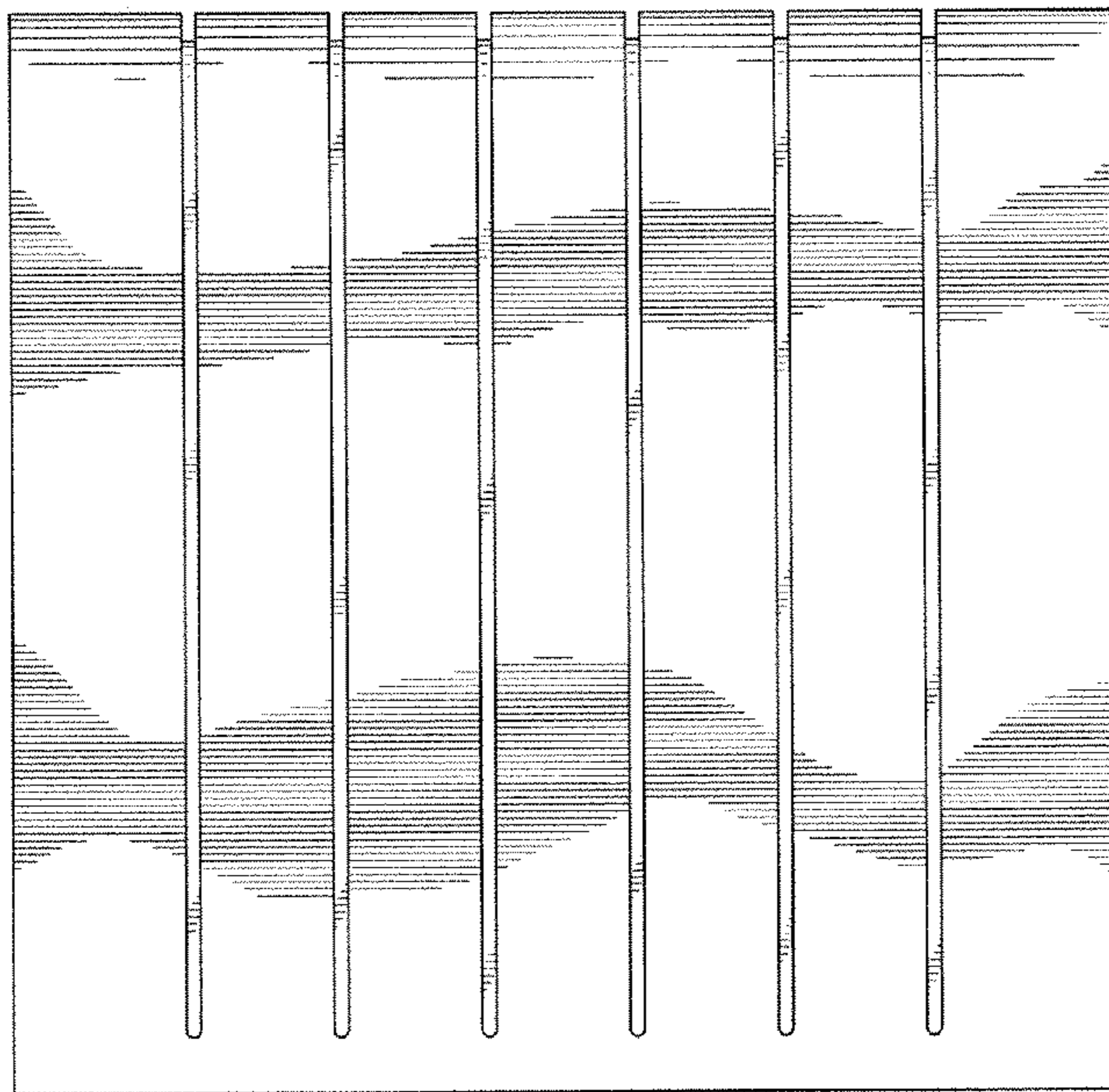


Fig. 2

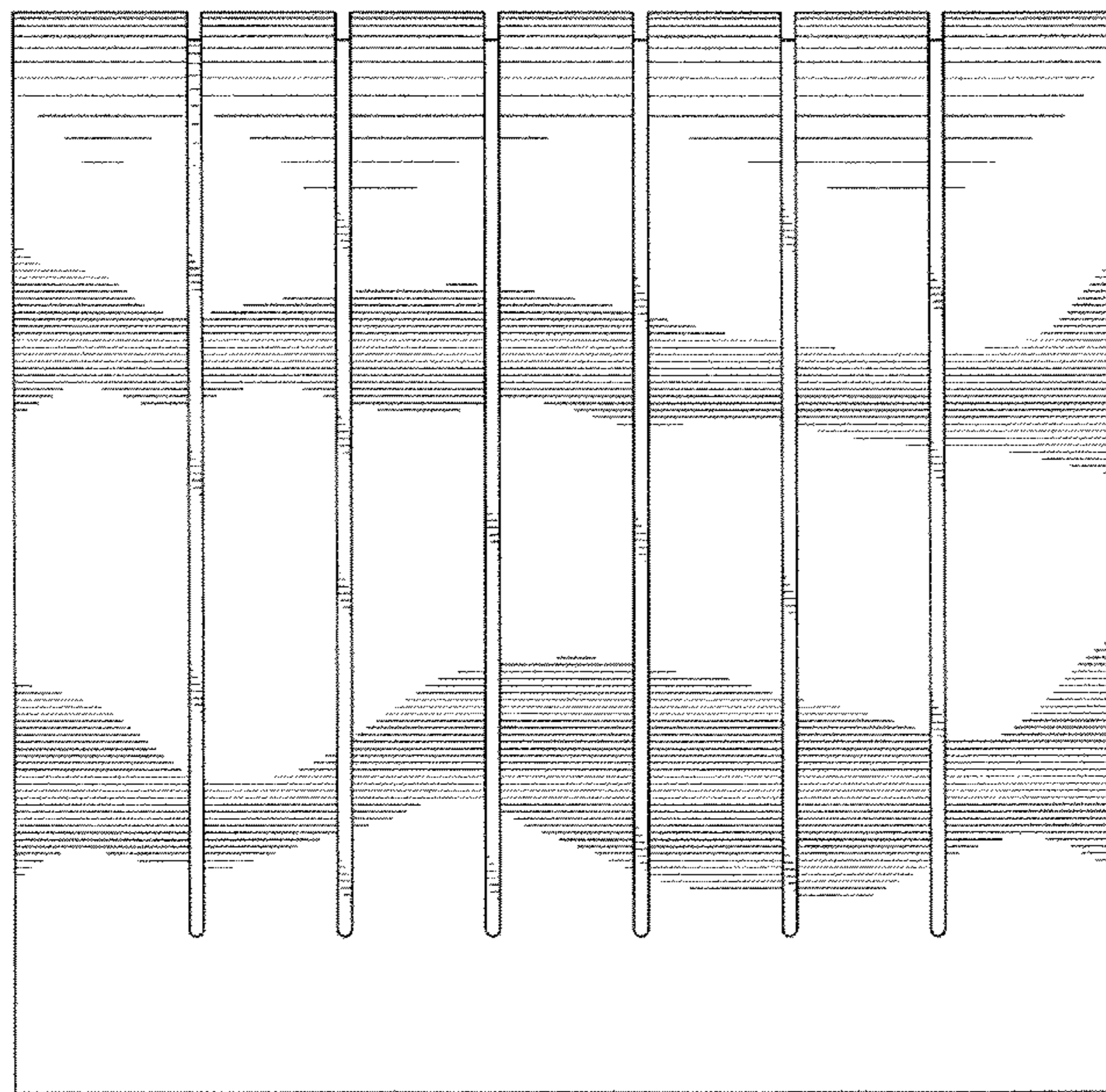


Fig. 3

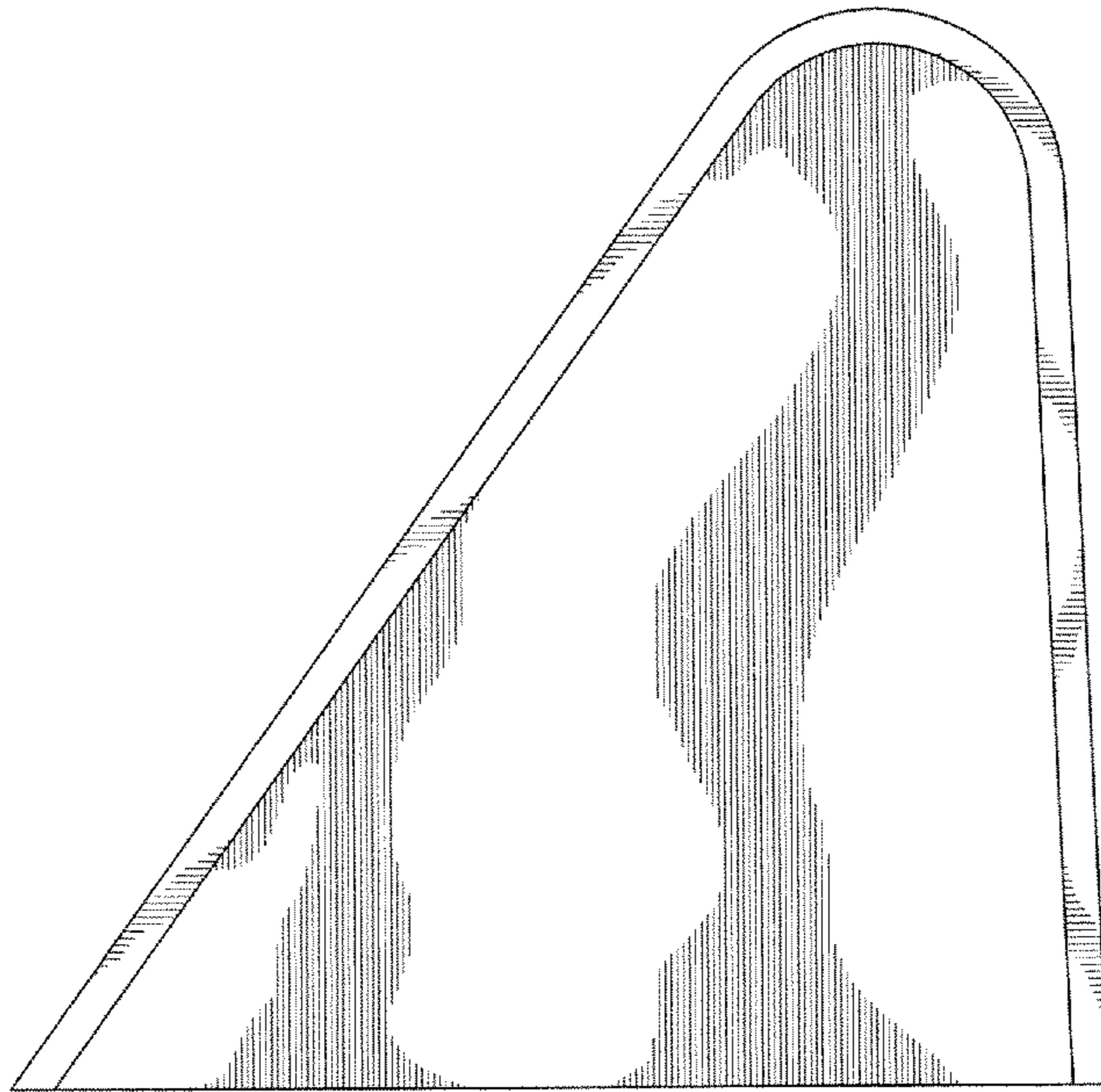


Fig. 4

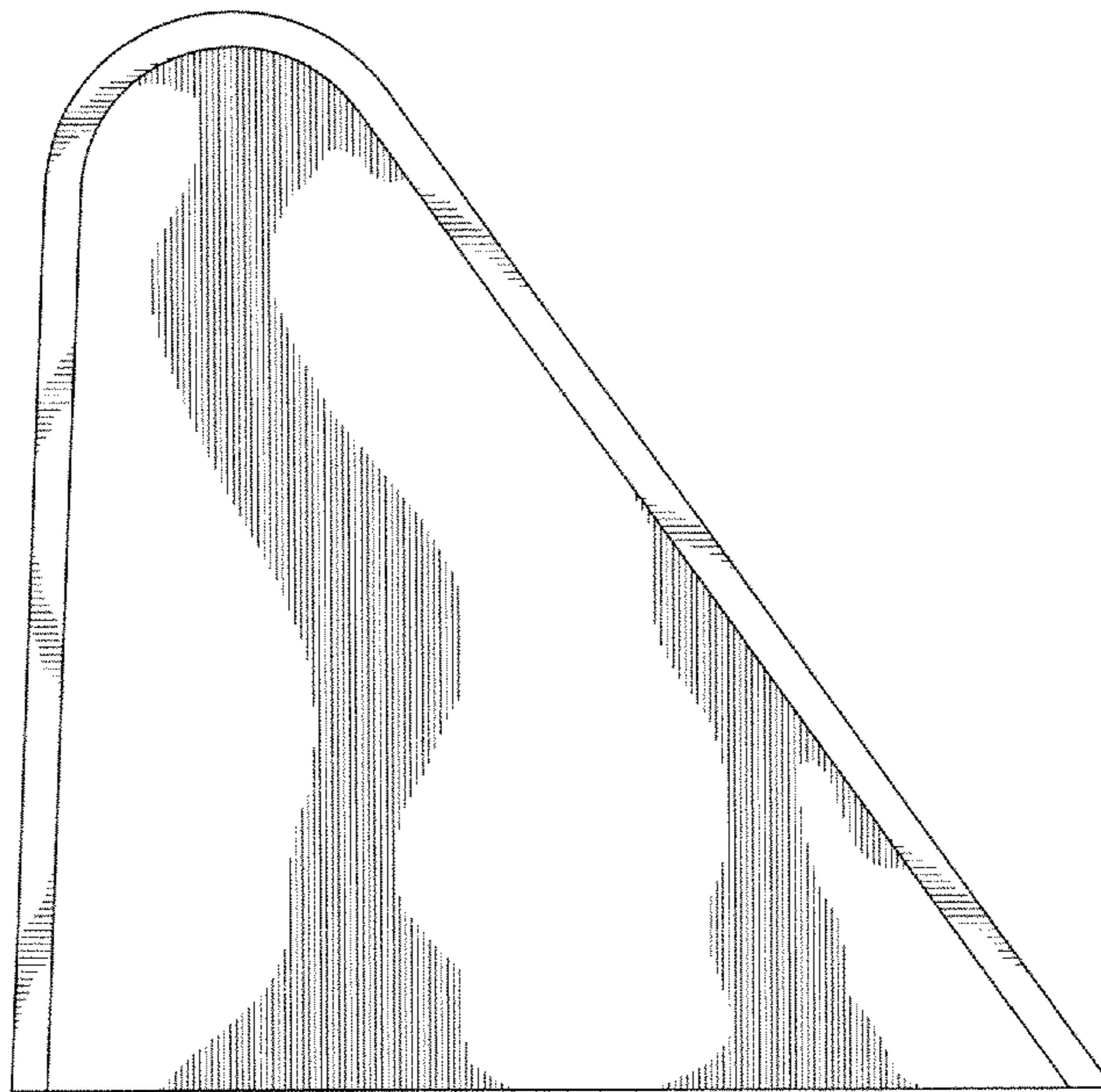


Fig. 5

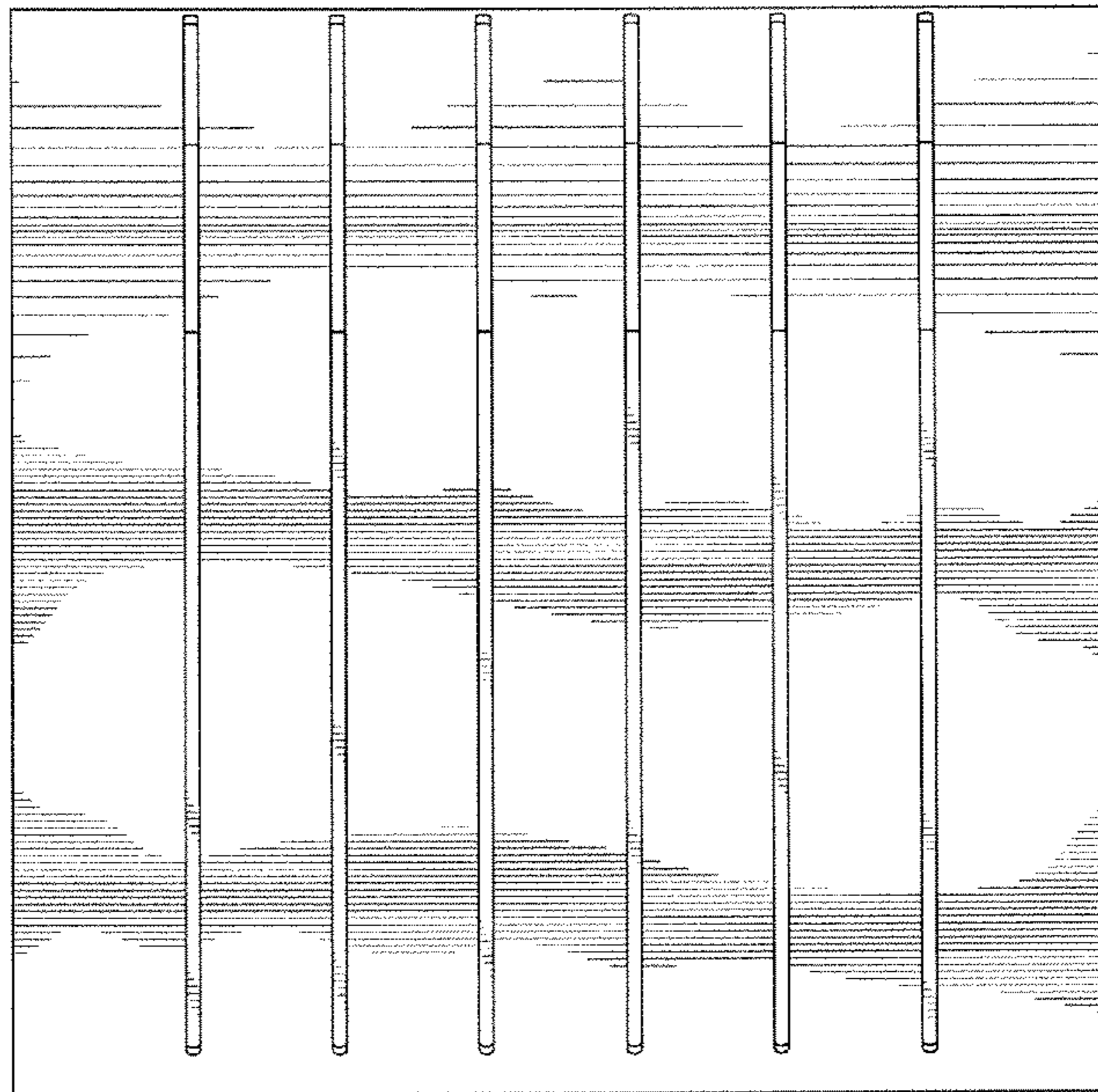


Fig. 6

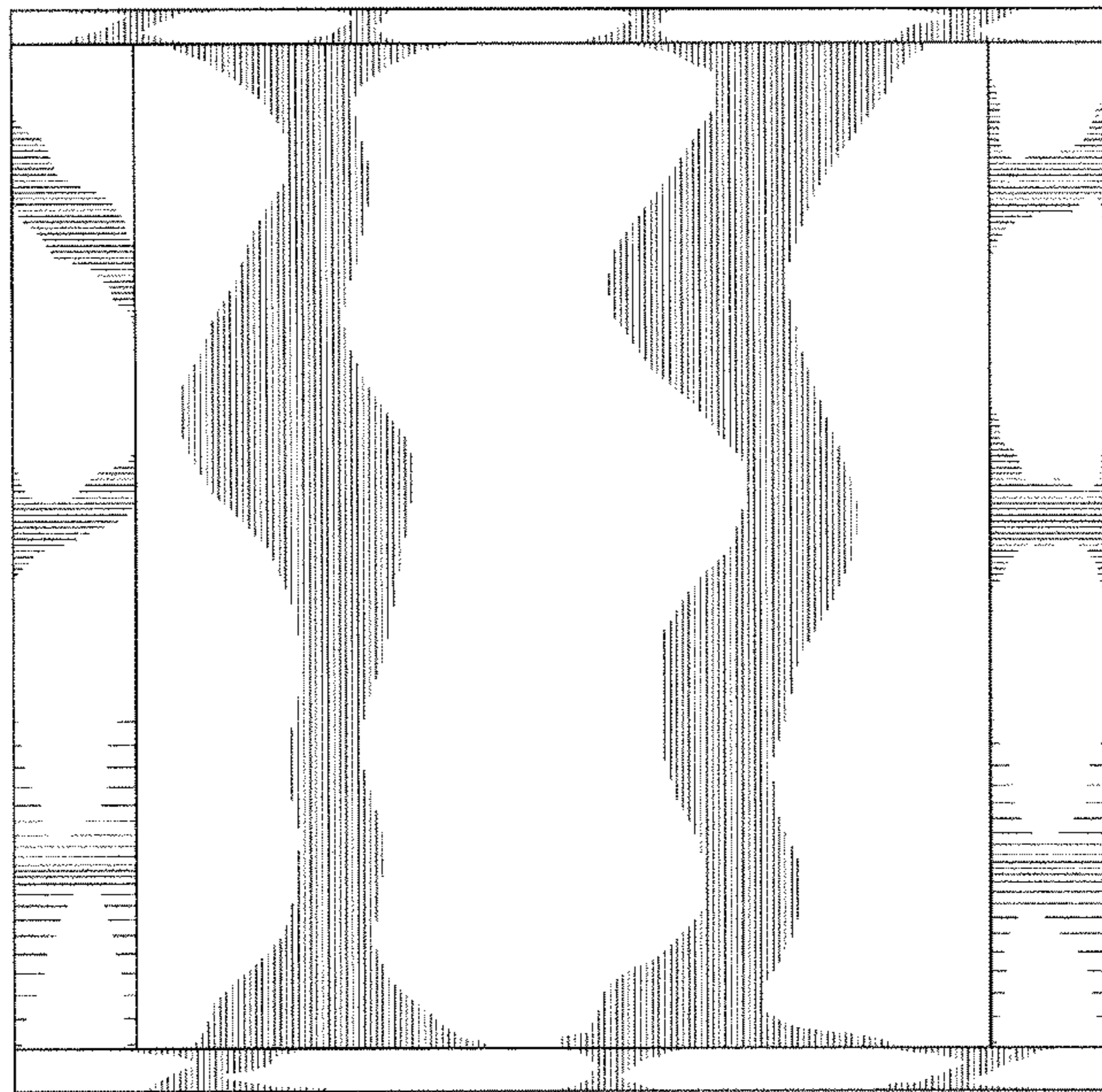


Fig. 7

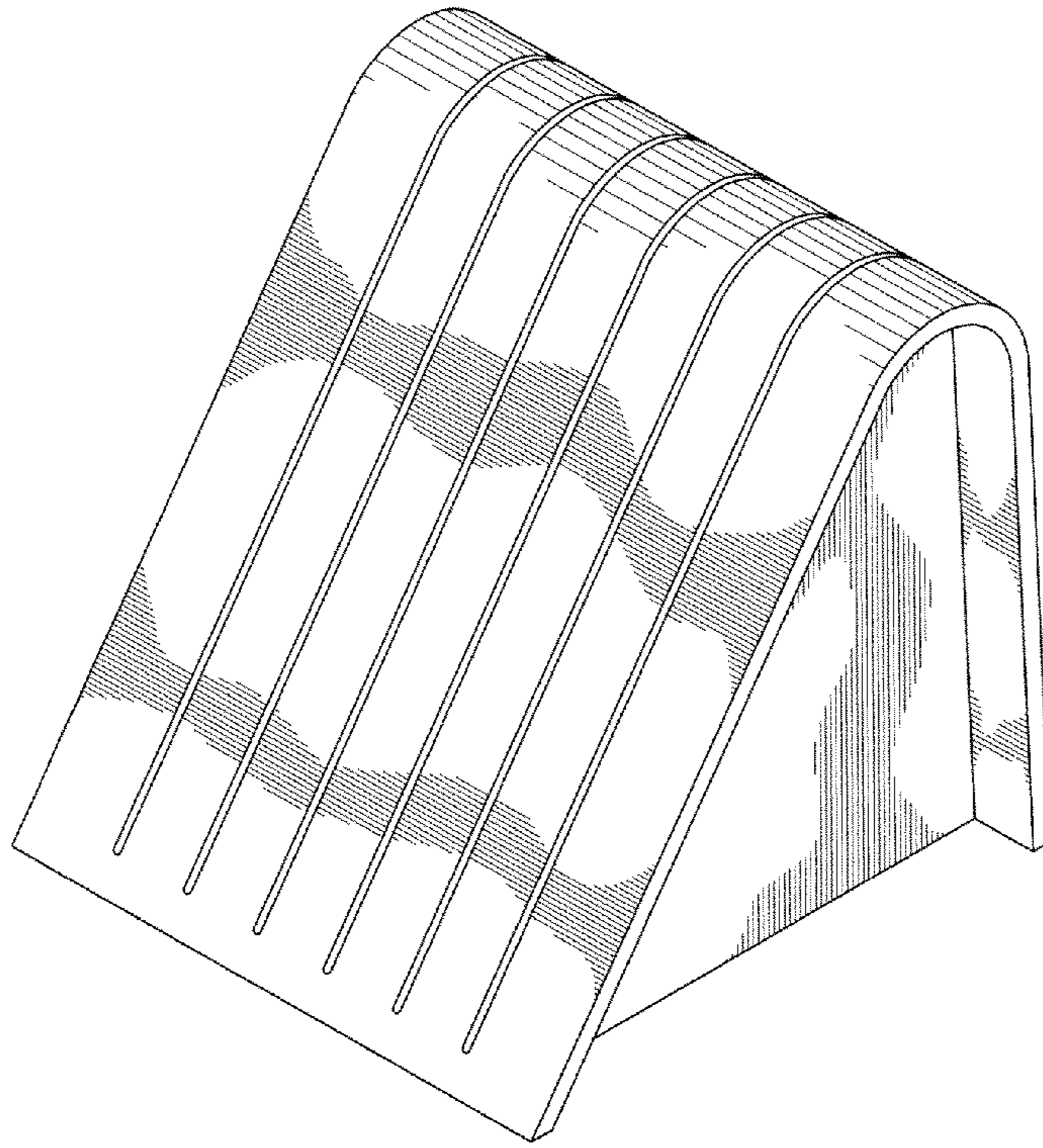


Fig. 8

