



US00D669317S

(12) **United States Design Patent**
Giampavolo et al.

(10) **Patent No.:** **US D669,317 S**
(45) **Date of Patent:** **** Oct. 23, 2012**

- (54) **CUP HOLDER**
- (75) Inventors: **Paul Giampavolo**, Newton, NJ (US);
Christopher M. Johnson, Glen Allen,
VA (US)
- (73) Assignee: **Safe-Strap Company, Inc.**, Wharton, NJ
(US)
- (**) Term: **14 Years**
- (21) Appl. No.: **29/407,426**
- (22) Filed: **Nov. 29, 2011**
- (51) **LOC (9) Cl.** **07-06**
- (52) **U.S. Cl.** **D7/620**
- (58) **Field of Classification Search** D7/619.1-625;
248/309.1, 311.2, 311.1, 311.3, 314; 211/71.01,
211/74; 220/737-741
See application file for complete search history.

5,020,755 A	6/1991	Frankel	
D325,495 S	4/1992	Rowles	
5,106,046 A	4/1992	Rowles et al.	
5,170,981 A	12/1992	Lin	
5,191,679 A	3/1993	Harper	
5,320,263 A	6/1994	Kobylack	
D358,303 S	5/1995	Guarrera et al.	
5,423,508 A	6/1995	Isenga	
5,464,183 A	11/1995	McConnell et al.	
5,474,273 A	12/1995	Vinal	
5,522,527 A	6/1996	Tsai	
D373,935 S	9/1996	Cole et al.	
D395,205 S *	6/1998	Inwood et al. D7/622
D401,121 S	11/1998	Hartmann et al.	
5,857,601 A	1/1999	Greenwood	
5,938,091 A	8/1999	Bergin et al.	
5,944,238 A	8/1999	Stark	
6,019,335 A	2/2000	Sehati	
D437,187 S *	2/2001	Cheng D7/622

(Continued)

FOREIGN PATENT DOCUMENTS

FR 2 781 552 A1 1/2000

(Continued)

(56) **References Cited**

U.S. PATENT DOCUMENTS

D162,959 S	4/1951	Janes et al.	
2,633,278 A	3/1953	Muniz	
2,649,270 A	8/1953	Franks	
2,719,414 A	10/1955	Davis	
2,906,124 A	9/1959	Chaney	
3,036,717 A	5/1962	Johnson	
3,113,677 A	12/1963	Johnson	
3,233,858 A	2/1966	Benjamin	
3,269,683 A	8/1966	Shinaver	
3,707,272 A	12/1972	Rasmussen	
D228,335 S	9/1973	Jackson	
3,938,869 A	2/1976	Josey	
4,032,054 A	6/1977	Duncan	
D279,836 S	7/1985	Tanaka	
4,635,425 A	1/1987	Cova	
4,865,237 A	9/1989	Allen	
4,887,784 A	12/1989	Kayali	
4,896,858 A	1/1990	Sokolski et al.	
4,915,337 A *	4/1990	Iwasaki 248/311.2
D309,848 S	8/1990	Sokolski et al.	
4,998,700 A	3/1991	McKaig	

Primary Examiner — Terry Wallace

(74) *Attorney, Agent, or Firm* — Weingarten, Schurgin,
Gagnebin & Lebovici LLP

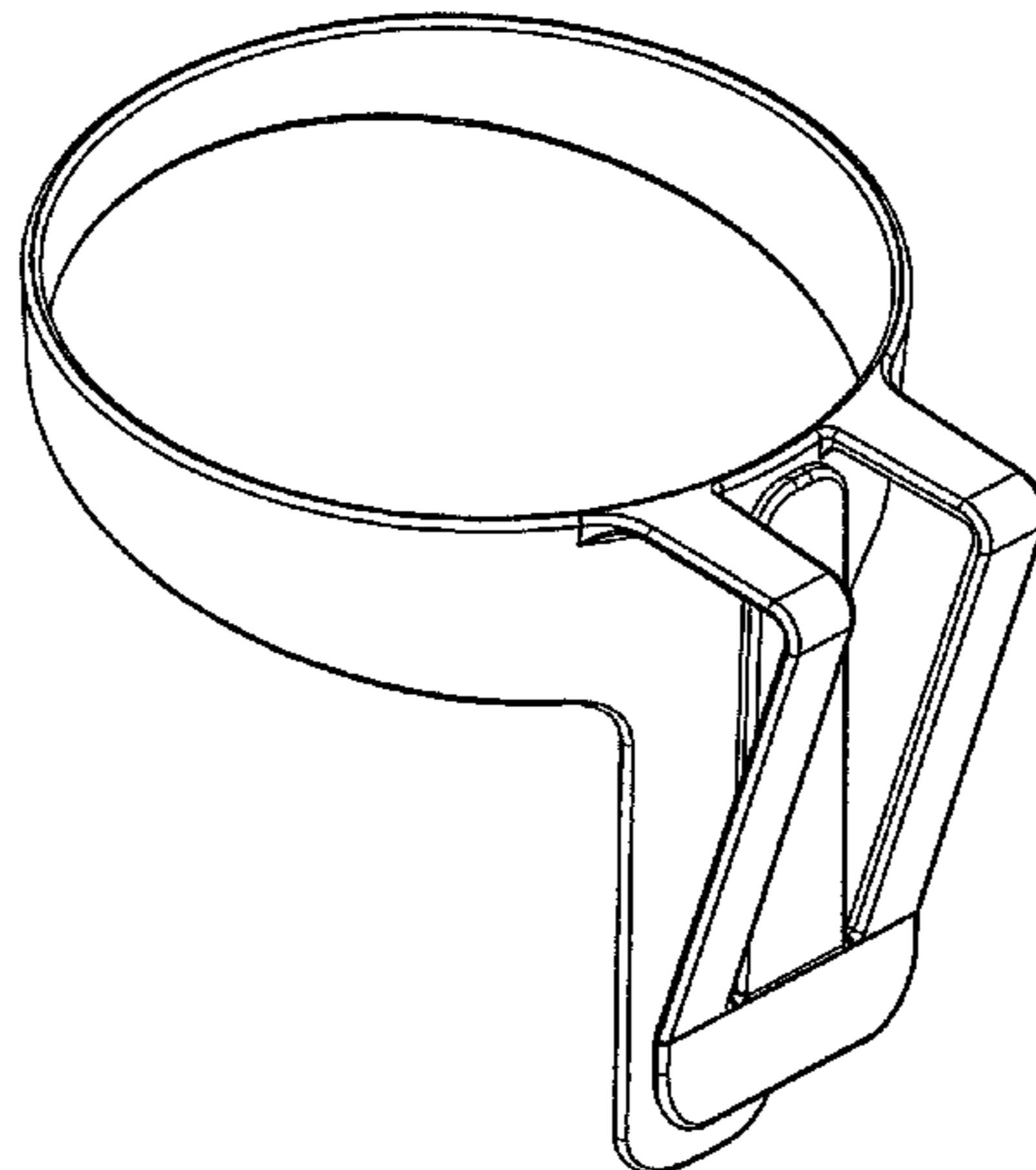
(57) **CLAIM**

The ornamental design for a cup holder, as shown and described.

DESCRIPTION

FIG. 1 is a perspective view of a cup holder according to our new design;
 FIG. 2 is a top plan view thereof;
 FIG. 3 is a front side elevation view thereof;
 FIG. 4 is a left side elevation view thereof, the opposite side elevation view being a mirror image;
 FIG. 5 is a rear elevation view thereof; and,
 FIG. 6 is a bottom plan view thereof.

1 Claim, 3 Drawing Sheets



US D669,317 S

Page 2

U.S. PATENT DOCUMENTS

6,231,058 B1 5/2001 Kimbrough et al.
6,260,811 B1 7/2001 O'Neil
6,299,116 B1 10/2001 Levesque
6,390,427 B1 5/2002 McConnell et al.
6,644,524 B1 11/2003 Garvin
D484,753 S * 1/2004 Giampavolo D7/620
6,682,034 B1 1/2004 Vial
D489,577 S 5/2004 Giampavolo

D497,779 S 11/2004 Giampavolo
D515,879 S * 2/2006 Gomes et al. D7/620
D600,077 S * 9/2009 Barnes, Jr. D7/620
D604,564 S * 11/2009 Walter D7/620

FOREIGN PATENT DOCUMENTS

GB 2 254 793 A 10/1992

* cited by examiner

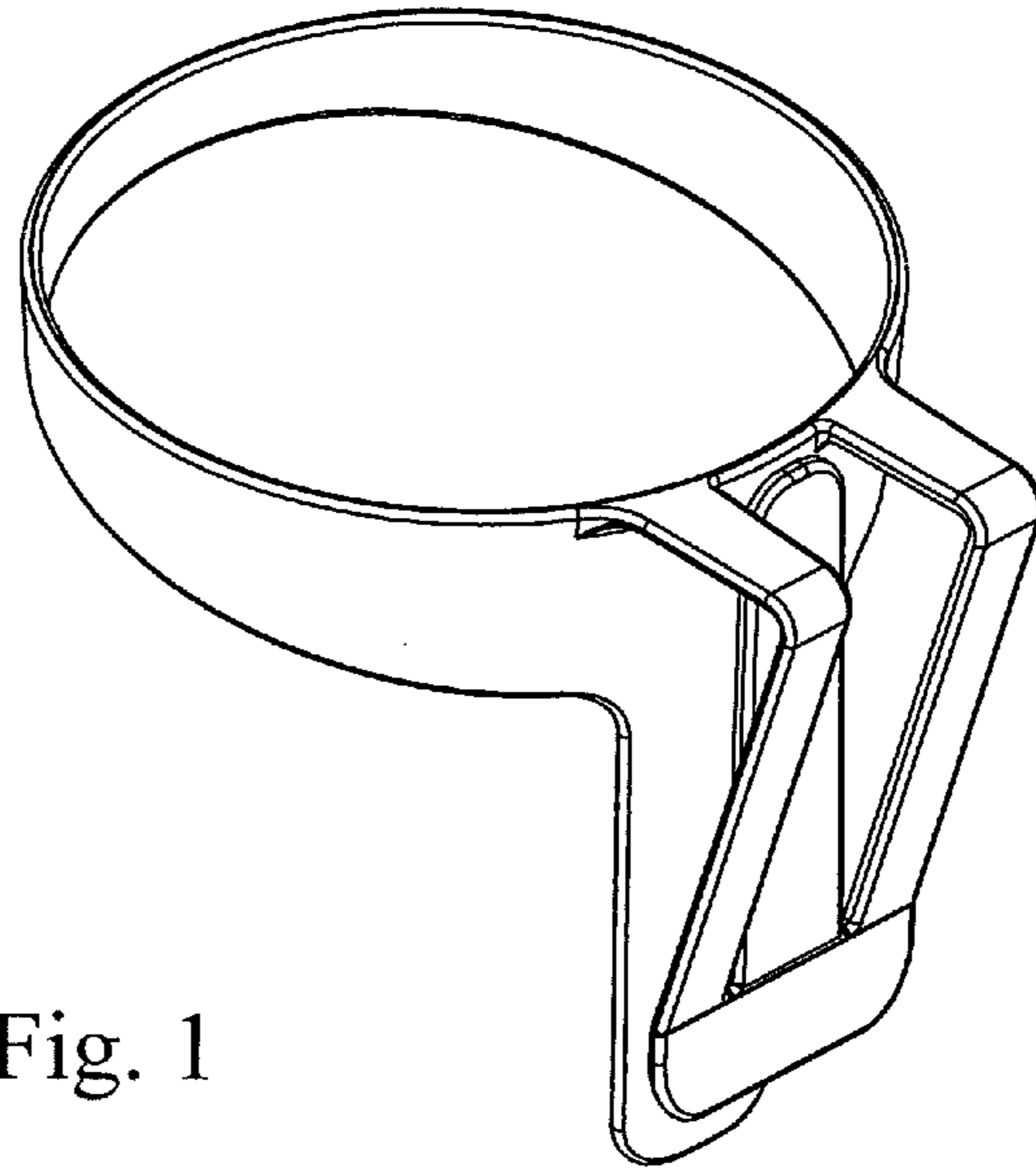


Fig. 1

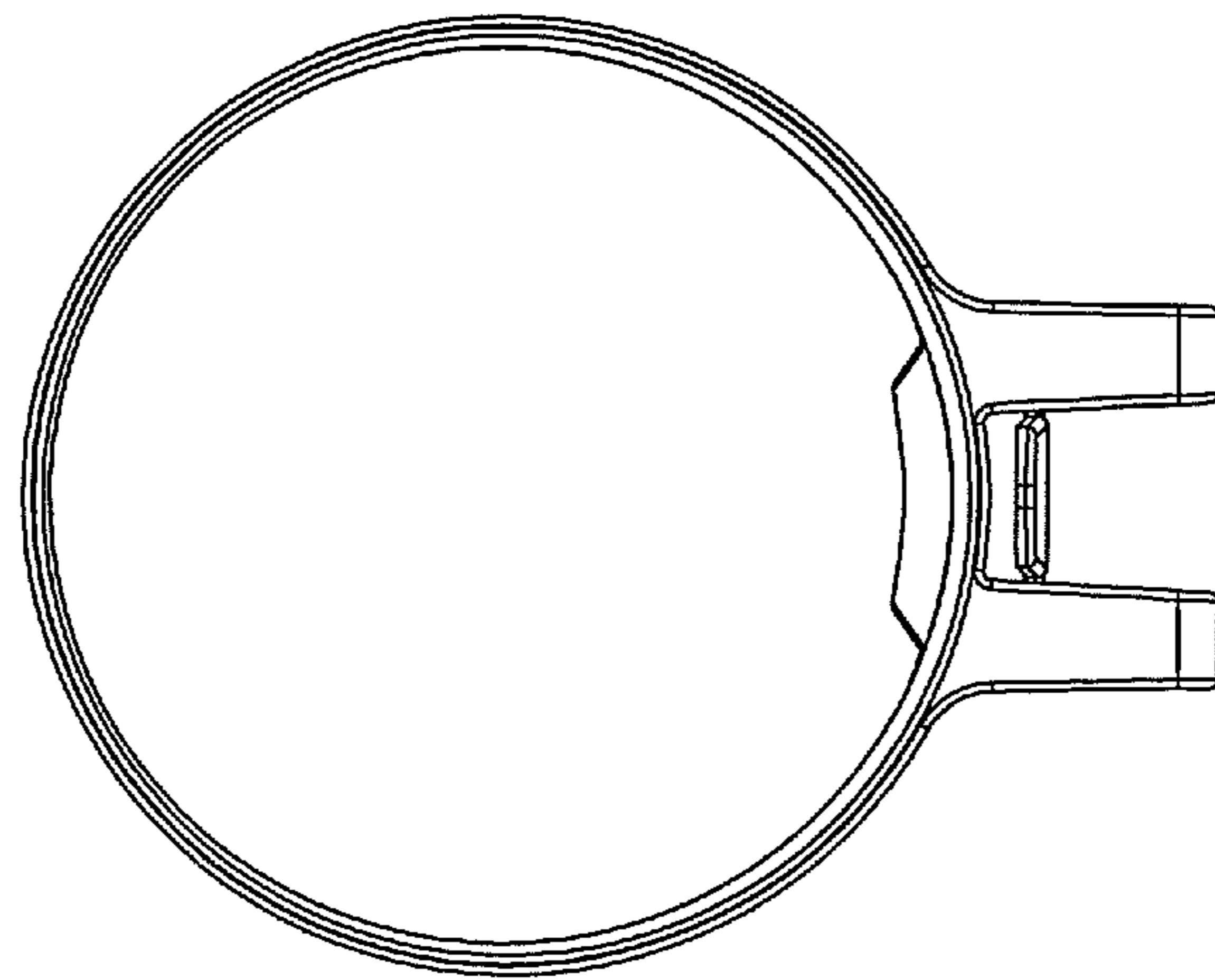


Fig. 2

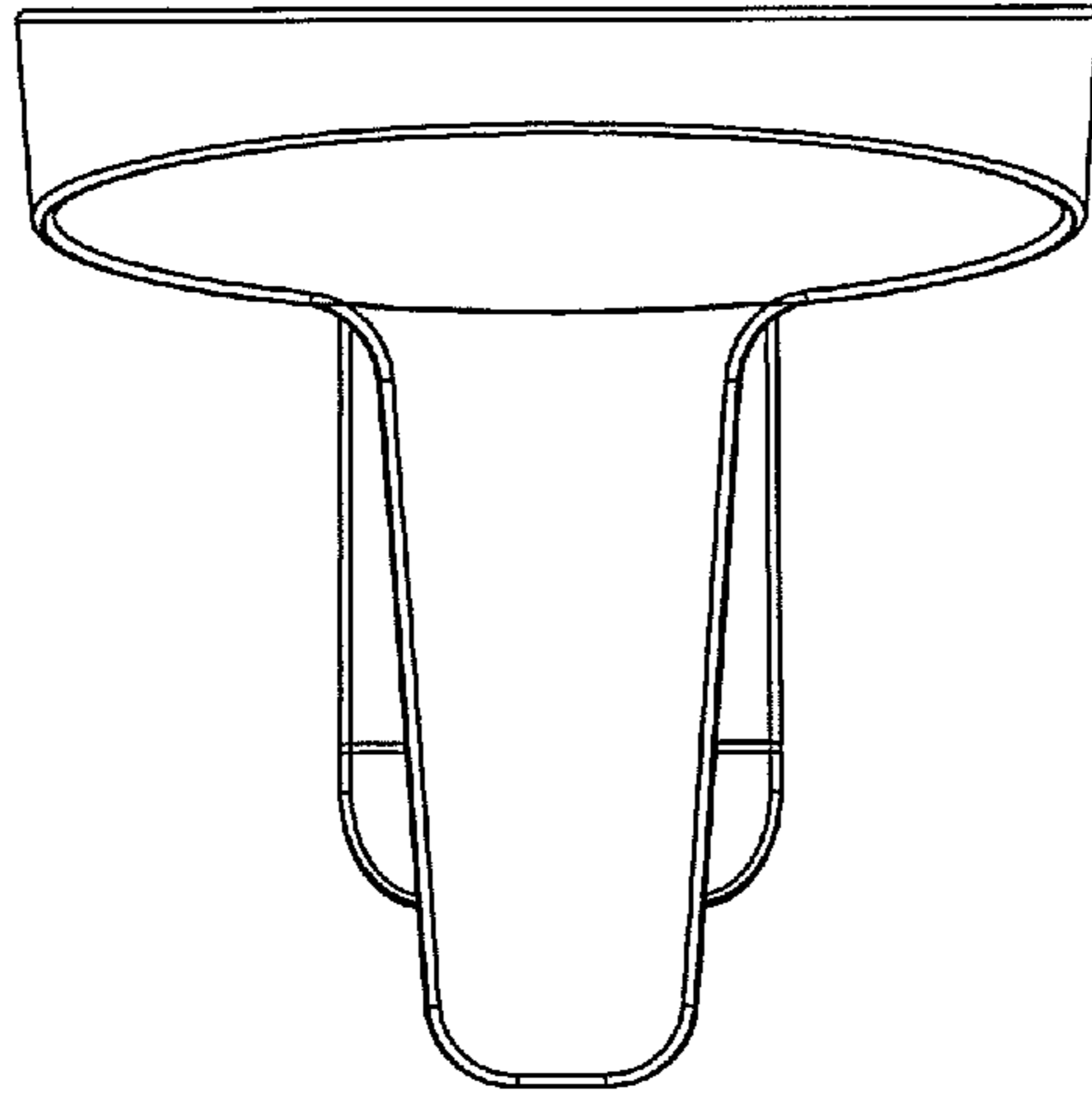


Fig. 3

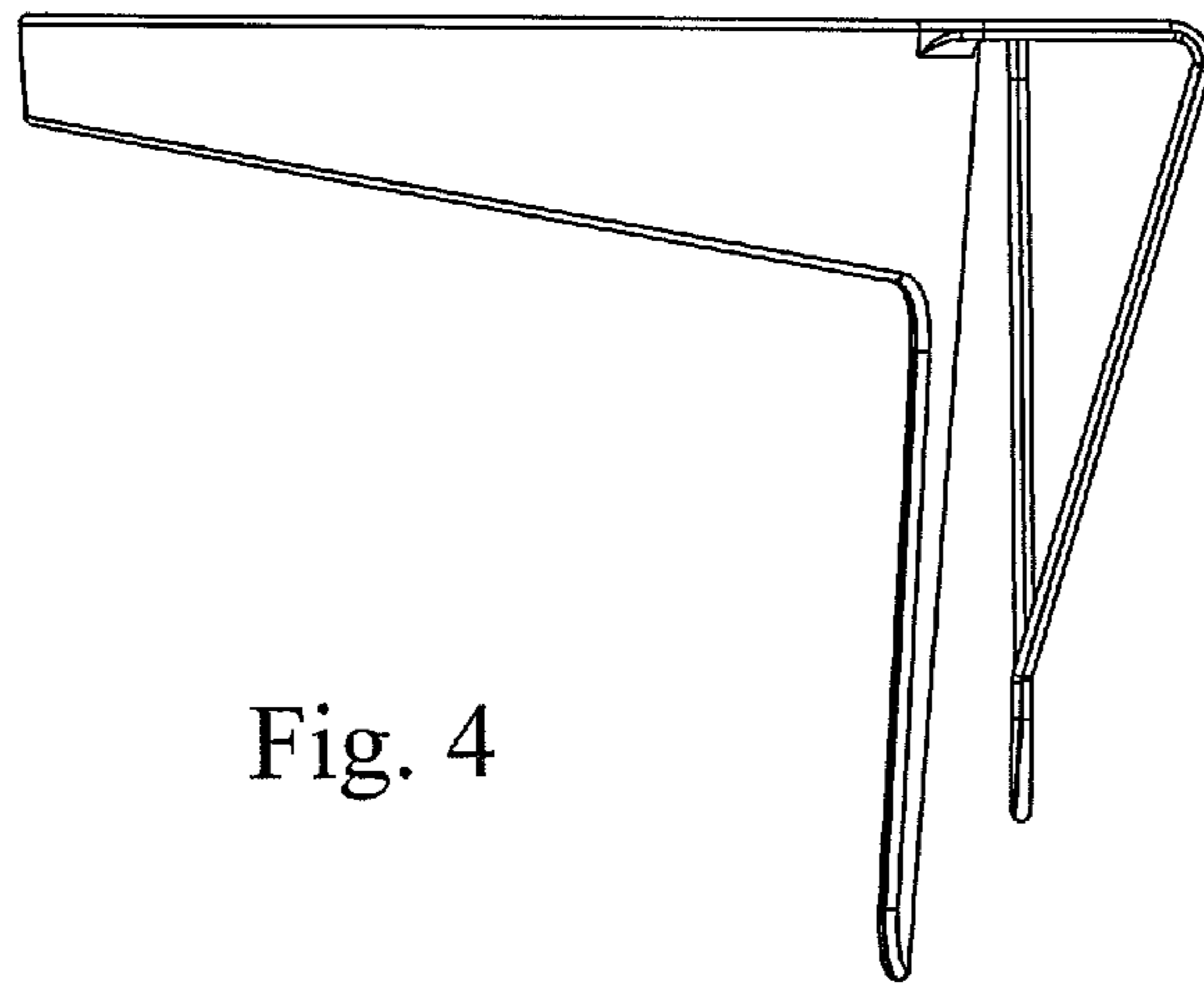


Fig. 4

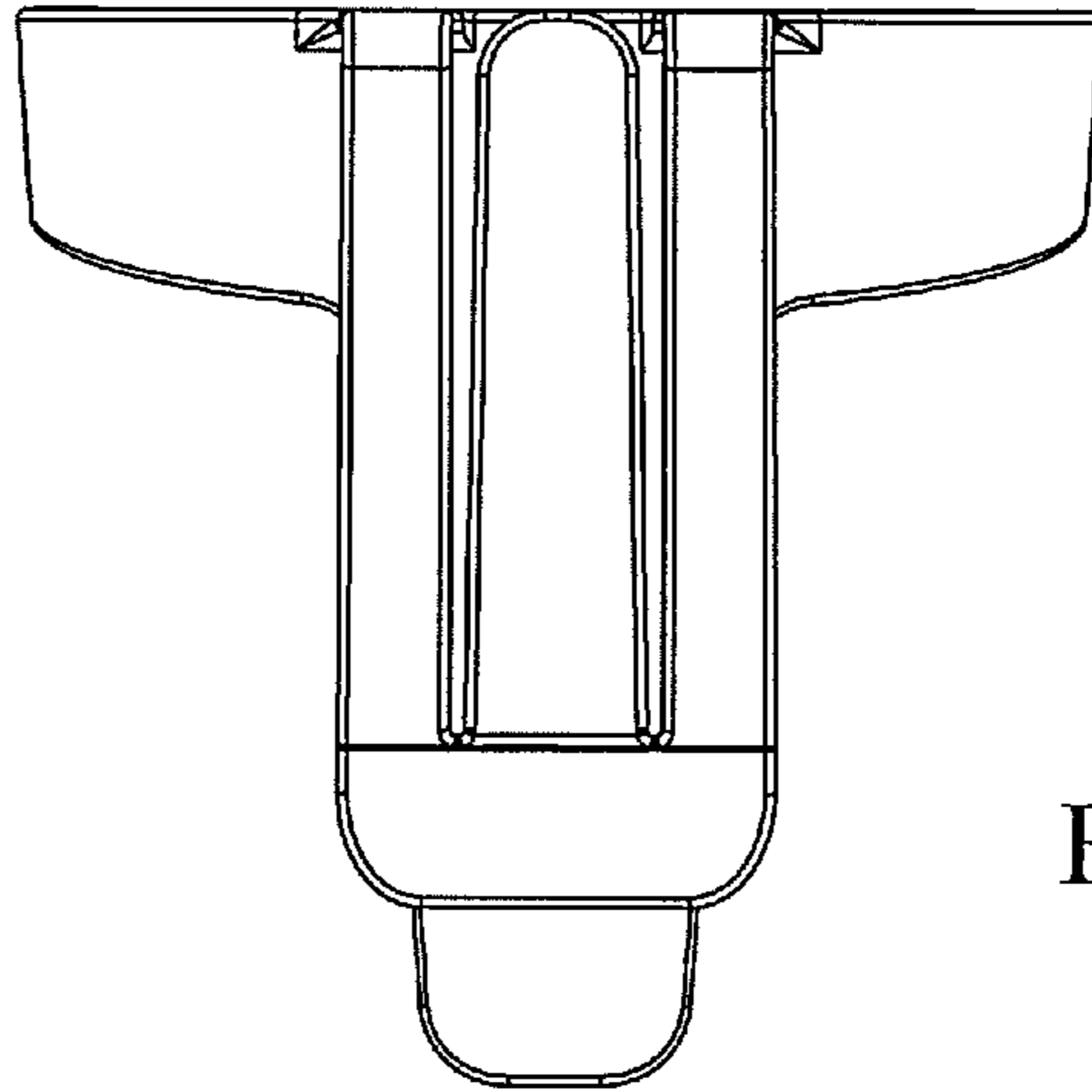


Fig. 5

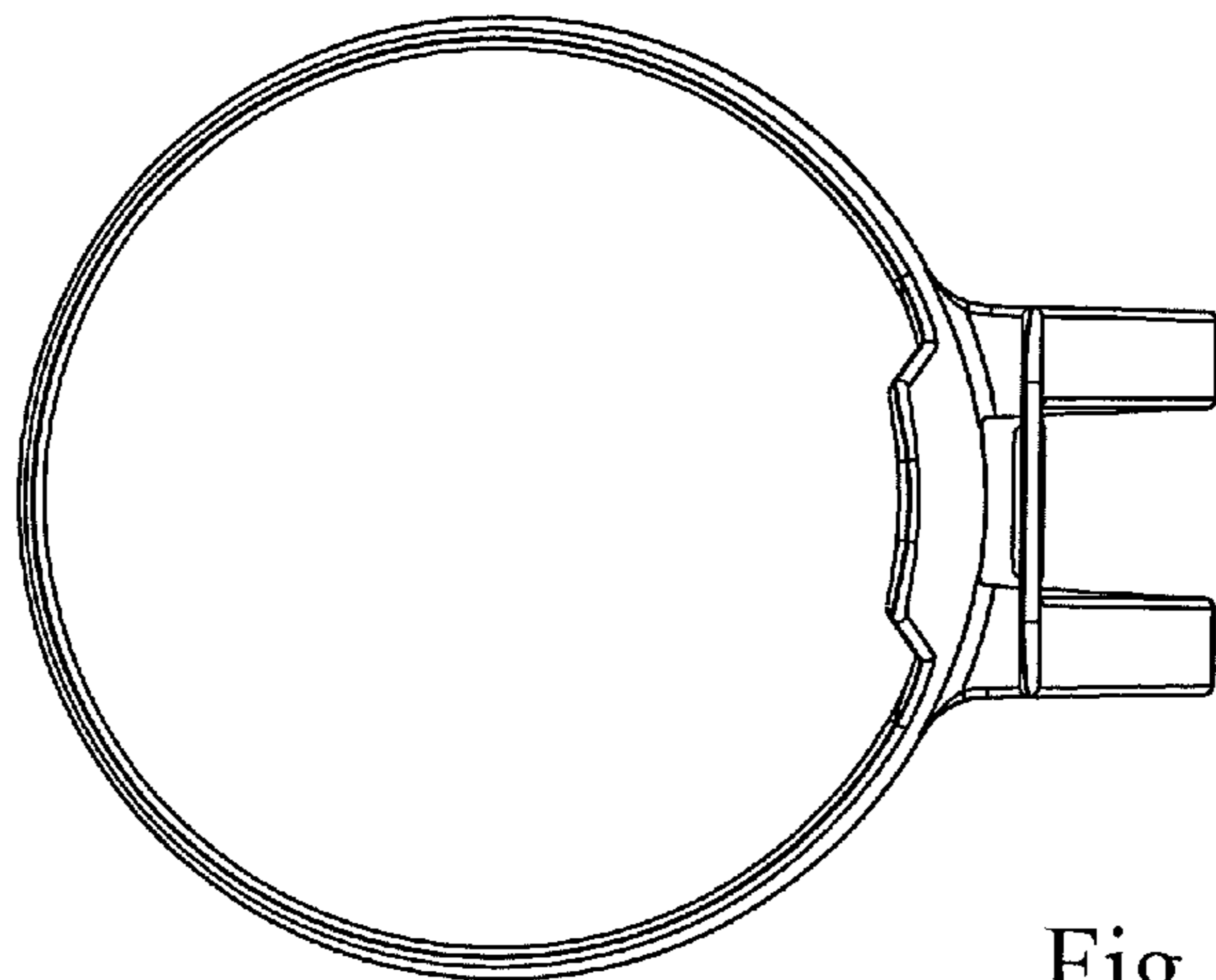


Fig. 6