



US00D669315S

(12) **United States Design Patent**  
**Schewe et al.**

(10) **Patent No.:** **US D669,315 S**

(45) **Date of Patent:** **\*\* Oct. 23, 2012**

(54) **DRINK HOLDER**

(76) Inventors: **Paul D. Schewe**, Lake Zurich, IL (US);  
**Jeffrey A. Schmidt**, Libertyville, IL (US)

(\*\*) Term: **14 Years**

(21) Appl. No.: **29/400,769**

(22) Filed: **Sep. 1, 2011**

(51) **LOC (9) Cl.** ..... **07-01**

(52) **U.S. Cl.** ..... **D7/619.1**

(58) **Field of Classification Search** ..... D7/619.1-625,  
D7/701-708; D6/458, 461, 462, 465, 466,  
D6/469, 417; 248/346.11; 211/70.01, 70.6,  
211/70.7, 74

See application file for complete search history.

(56) **References Cited**

**U.S. PATENT DOCUMENTS**

D377,874 S \* 2/1997 Wright ..... D6/461  
D542,602 S \* 5/2007 Morford ..... D7/620

\* cited by examiner

*Primary Examiner* — Terry Wallace

(74) *Attorney, Agent, or Firm* — John J. Gresens, Esq.; Scott D. Barnett, Esq.; Troutman Sanders LLP

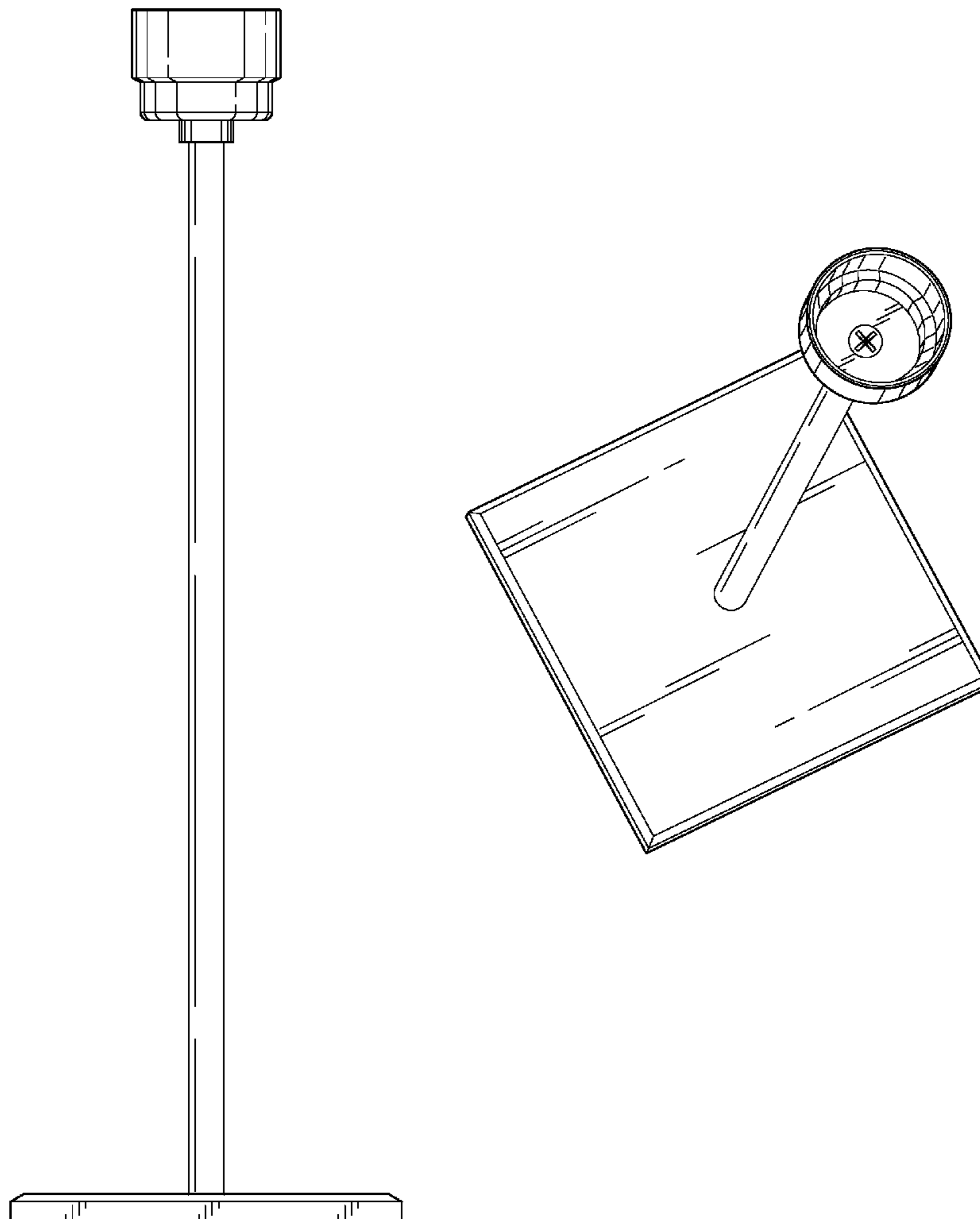
(57) **CLAIM**

The ornamental design for a drink holder, as shown.

**DESCRIPTION**

FIG. 1 is a side view of a drink holder showing a first embodiment of my new design;  
FIG. 2 is a perspective view thereof;  
FIG. 3 is a top view thereof;  
FIG. 4 is a bottom view thereof;  
FIG. 5 is a side view of the drink holder showing a second embodiment of my new design;  
FIG. 6 is a perspective view of the second embodiment;  
FIG. 7 is a bottom view of the second embodiment; and,  
FIG. 8 is a top view of the second embodiment.

**1 Claim, 6 Drawing Sheets**



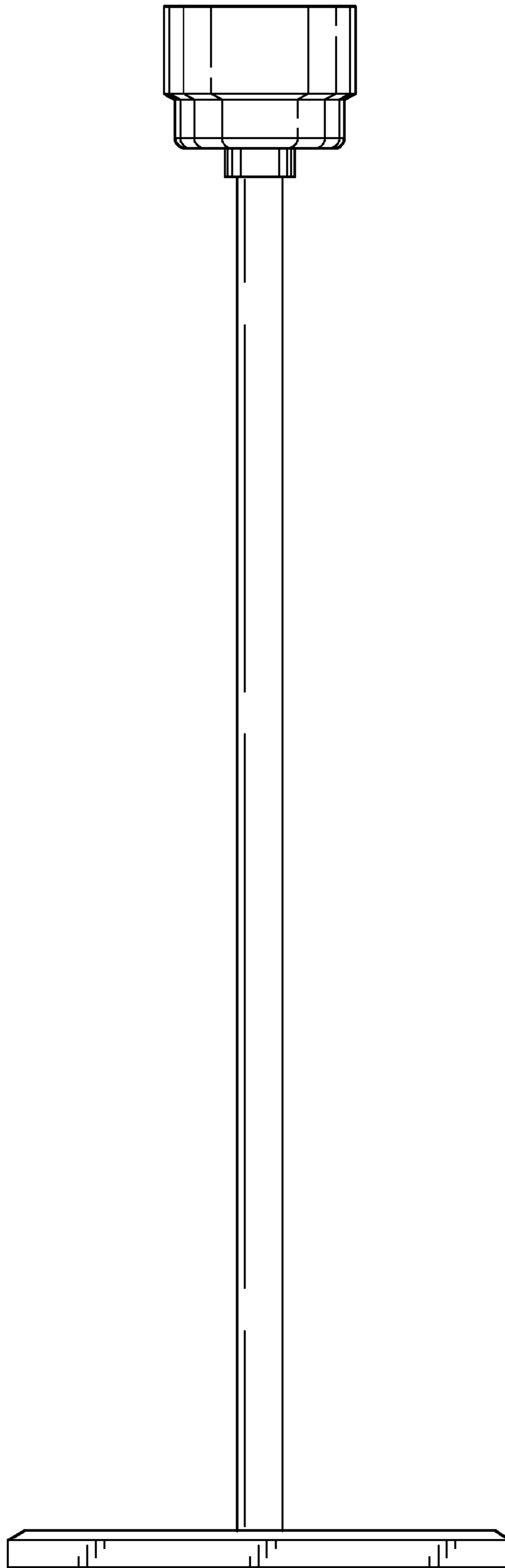


FIG. 1

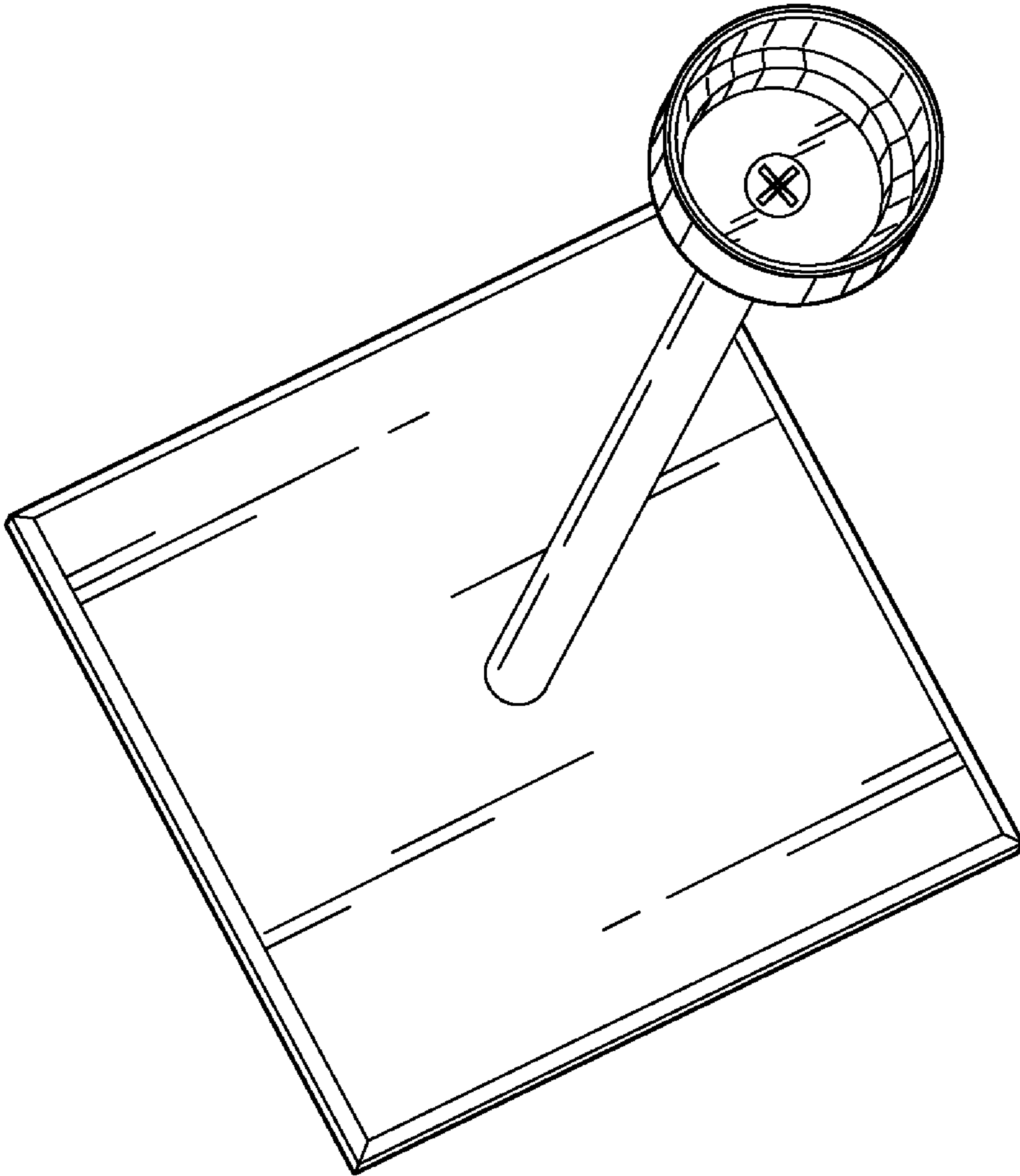


FIG. 2

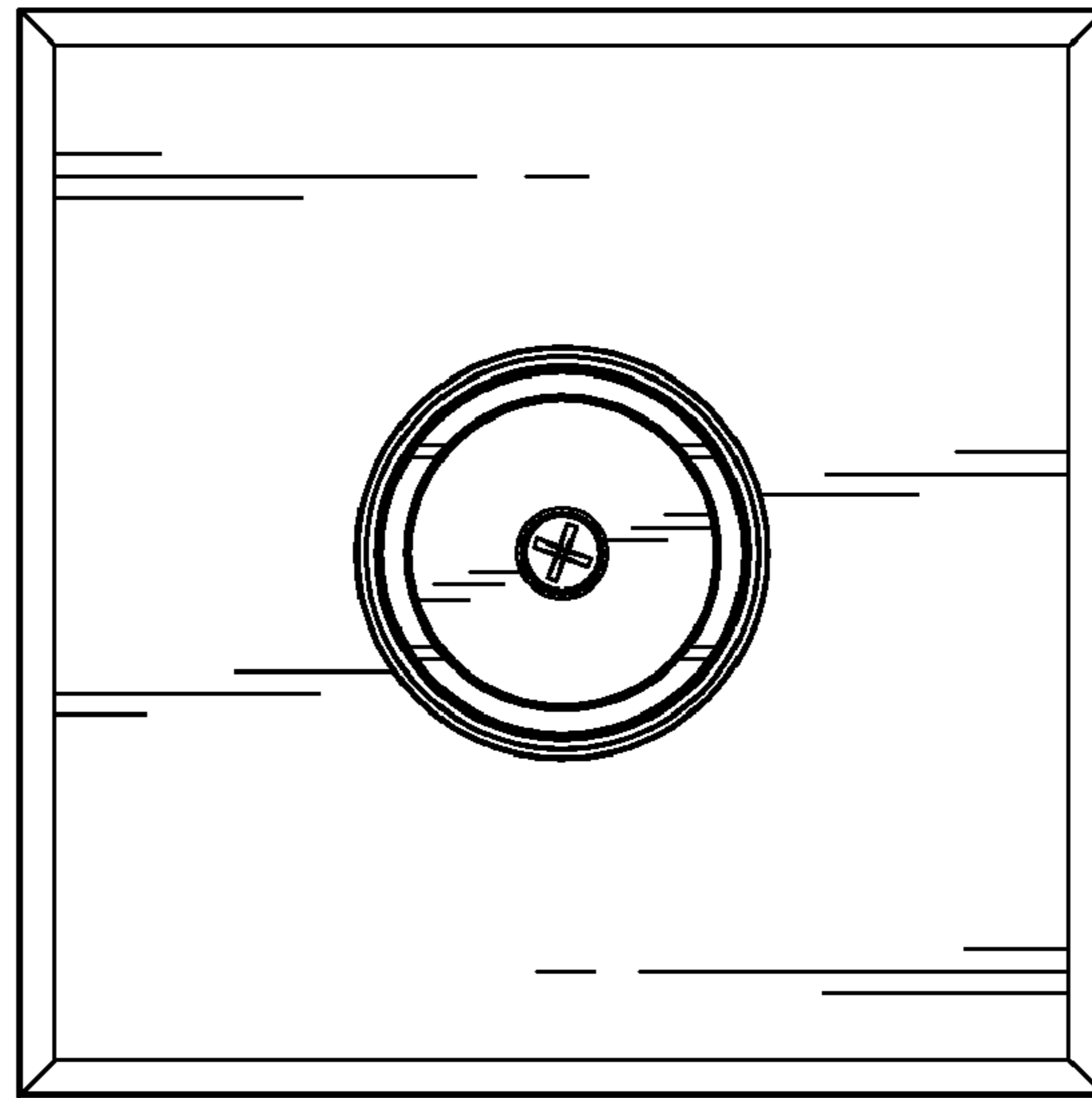


FIG. 3

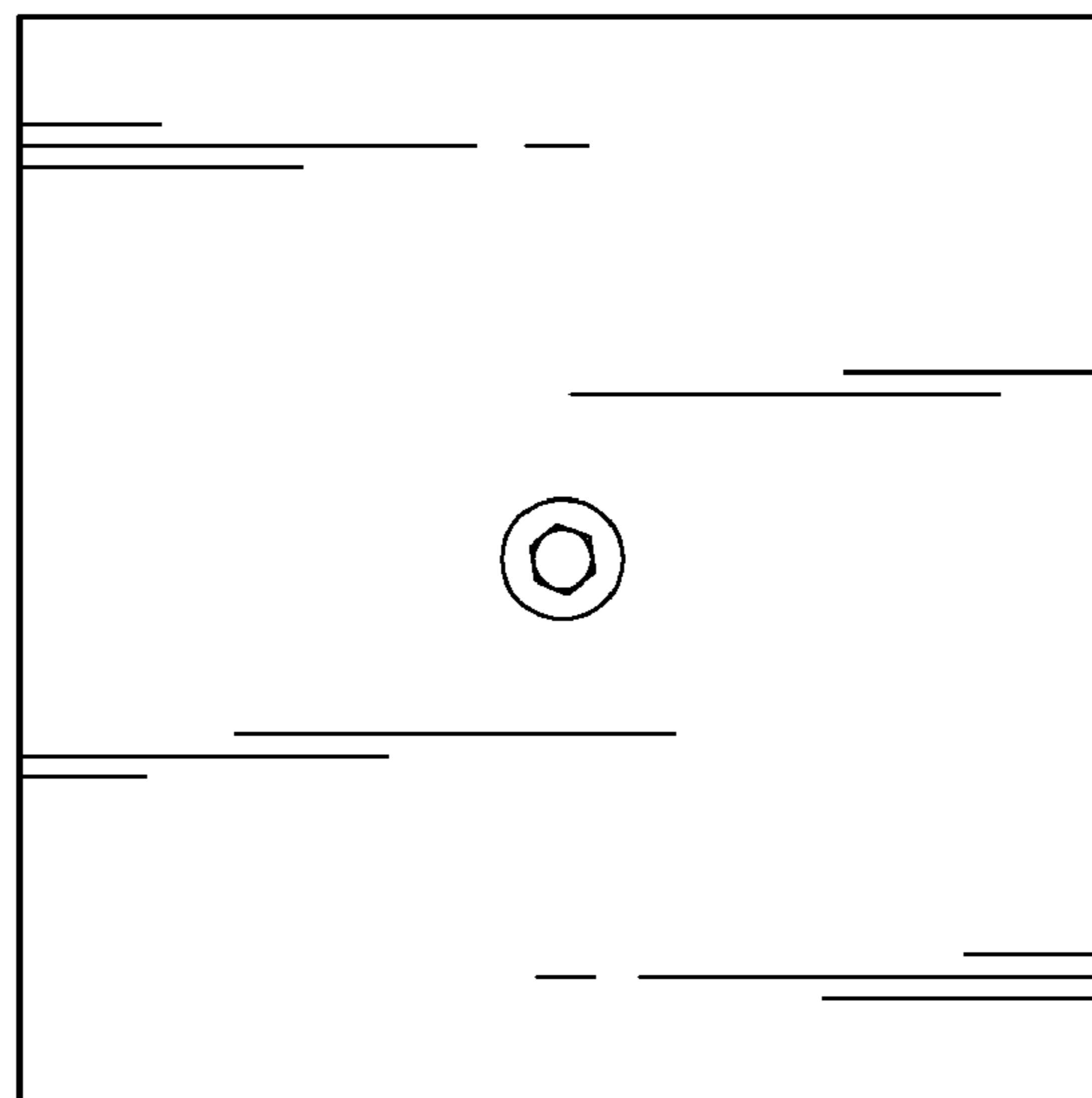


FIG. 4

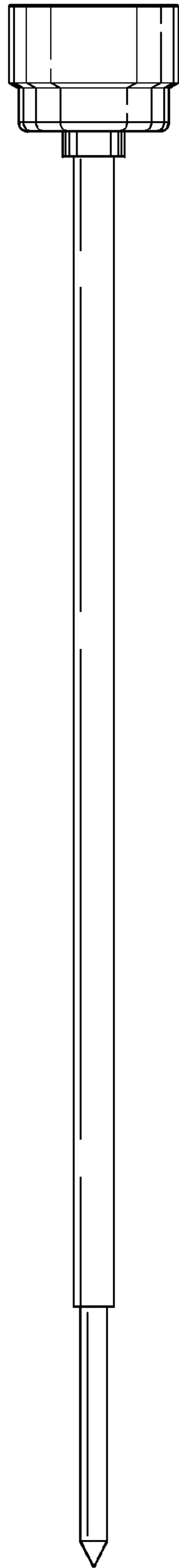


FIG. 5

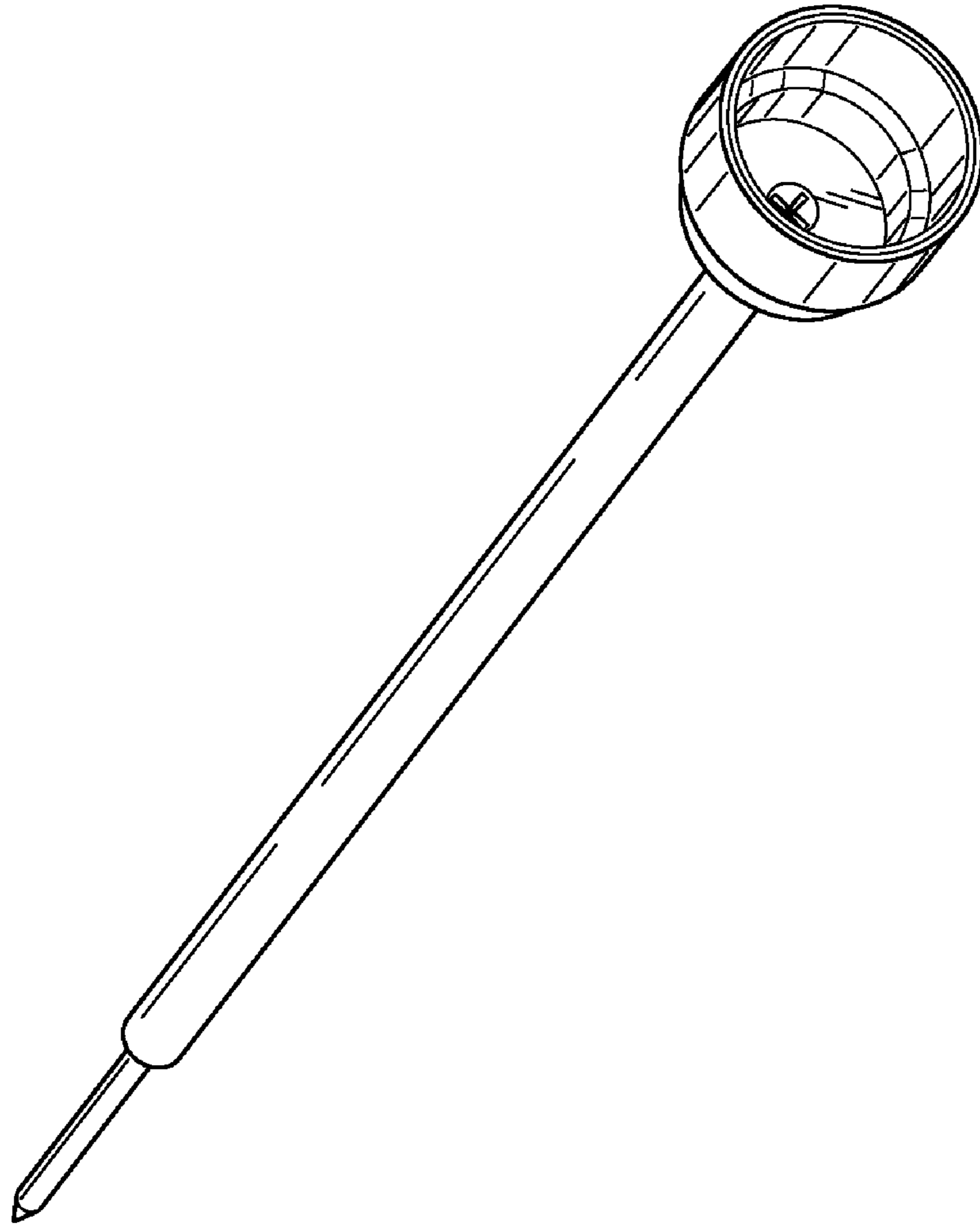


FIG. 6

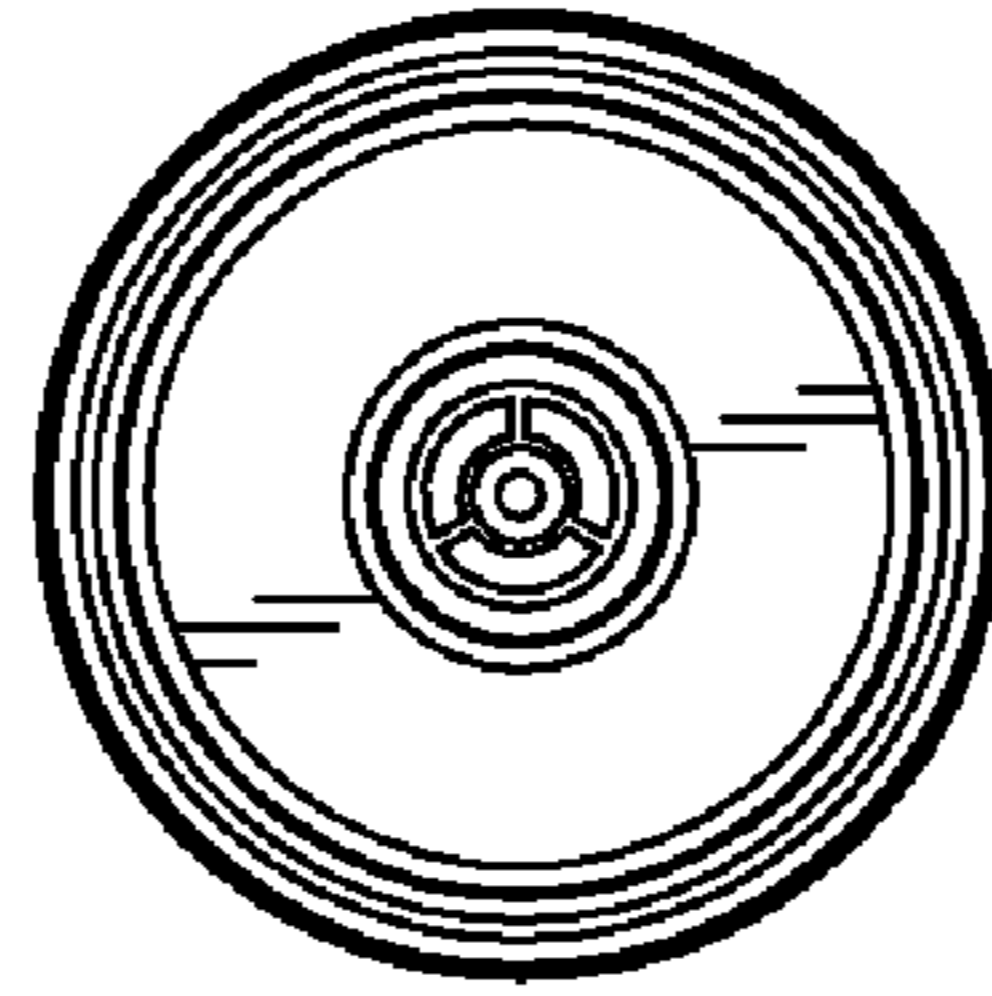


FIG. 7

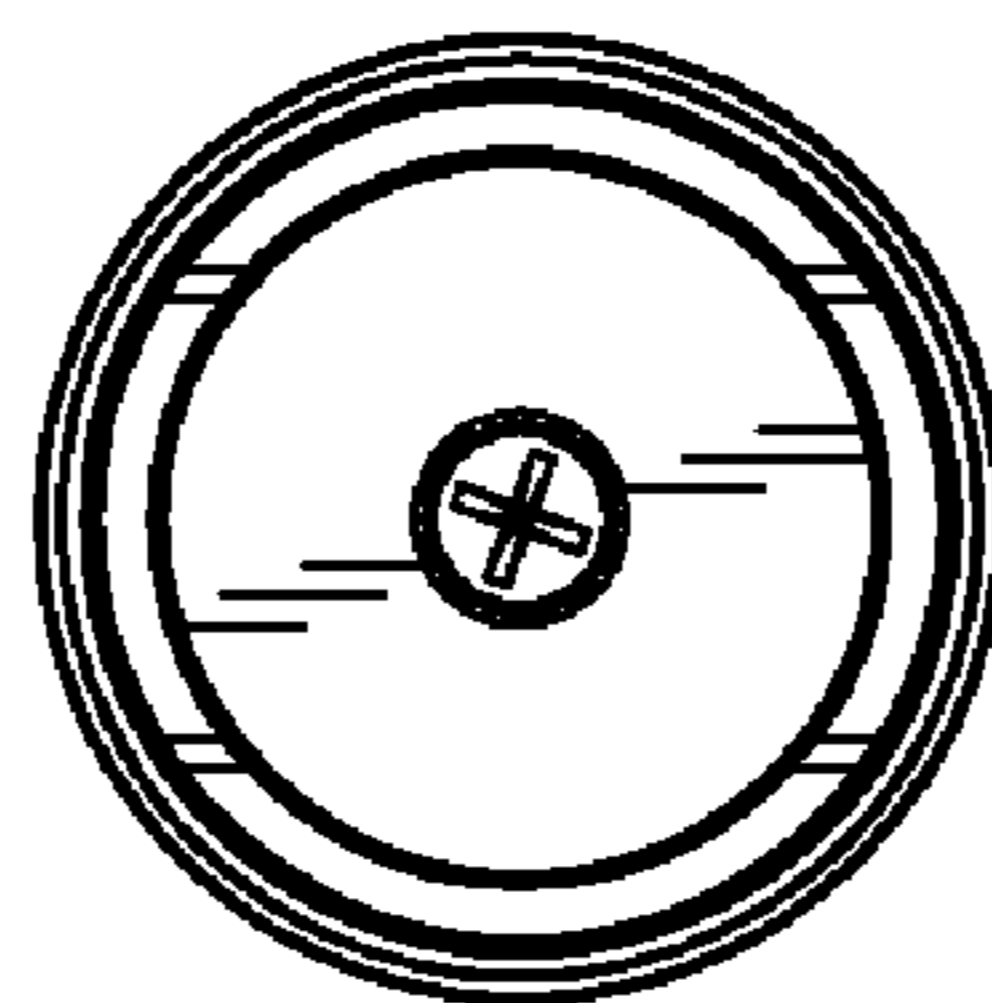


FIG. 8