



US00D669311S

(12) **United States Design Patent**
Hsu

(10) **Patent No.:** **US D669,311 S**
(45) **Date of Patent:** **** Oct. 23, 2012**

(54) **MODULAR FOOD CONTAINMENT SYSTEM**
(76) Inventor: **Sin Fang Fanny Hsu**, Bayside, NY (US)
(**) Term: **14 Years**
(21) Appl. No.: **29/420,295**
(22) Filed: **May 7, 2012**

Related U.S. Application Data

(62) Division of application No. 29/340,965, filed on Jul. 28, 2009, now Pat. No. Des. 659,023.
(51) **LOC (9) Cl.** **07-01**
(52) **U.S. Cl.** **D7/553.5**
(58) **Field of Classification Search** D9/737,
D9/761, 760, 759, 756, 479, 478, 417, 420,
D9/421, 424-426, 430-433; D7/549, 553.2,
D7/590, 601, 602, 609, 610, 612, 614, 629,
D7/542, 545, 550.1, 555, 552.1, 553.1, 553.6,
D7/554.2, 565, 584, 586, 300, 587, 543, 354,
D7/356, 360, 376, 380, 647, 553.7, 544, 538,
D7/566, 646, 553.8, 554.1, 557, 560, 701,
D7/707, 553.5; D3/201, 203.1, 203.2, 203.3;
D24/224, 227, 231, 232; 229/123.1, 125.17,
229/125.35, 131.1, 160, 162.1, 120.2, 120.011;
426/120, 393, 394, 114, 115, 119; 206/633,
206/820, 45.28, 232, 278, 457, 509, 511,
206/556, 558, 631; 220/500, 556, 666, 904,
220/23.83, 574, 212, 657, 659, 755, 771,
220/573.1, 573.4, 573.5

See application file for complete search history.

(56) **References Cited**

U.S. PATENT DOCUMENTS

D195,984 S * 8/1963 White, Jr. D7/543
(Continued)

OTHER PUBLICATIONS

Notice of Allowance for U.S. Appl. No. 29/340,965 dated Dec. 27, 2011.

(Continued)

Primary Examiner — Mark Goodwin

(74) *Attorney, Agent, or Firm* — Fitch, Even, Tabin & Flannery, LLP

(57) **CLAIM**

An ornamental design for a modular food containment system, as shown and described in the accompanying drawings.

DESCRIPTION

A portion of the disclosure document contains material which is subject to copyright protection. The copyright owner has no objection to the facsimile reproduction by anyone of the patent document or the patent disclosure as it appears in the United States Patent and Trademark Office patent file or records, but otherwise reserves all copyrights whatsoever.

FIG. 1 is a perspective view of a modular food containment system, showing a tray with an integrally-formed chopstick stand, having two food accommodation portions, one drink accommodation portion, and a napkin accommodation portion showing my new design;

FIG. 2 is a front view thereof;

FIG. 3 is a back view thereof;

FIG. 4 is a side view thereof;

FIG. 5 is an opposite side view thereof;

FIG. 6 is a top view thereof;

FIG. 7 is a bottom view thereof;

FIG. 8 is a top perspective view of a plurality of stacked modular food containers;

FIG. 9 is a front view of a plurality of stacked modular food containers;

FIG. 10 is a perspective view of a second embodiment of a modular food containment system, showing a tray with an integrally-formed chopstick stand, having two food accommodation portions, one drink accommodation portion, and a napkin accommodation portion showing my new design;

FIG. 11 is an exploded perspective view of a plurality of modular food containers;

FIG. 12 is a front view thereof;

FIG. 13 is a back view thereof;

FIG. 14 is a side view thereof;

FIG. 15 is an opposite side view thereof;

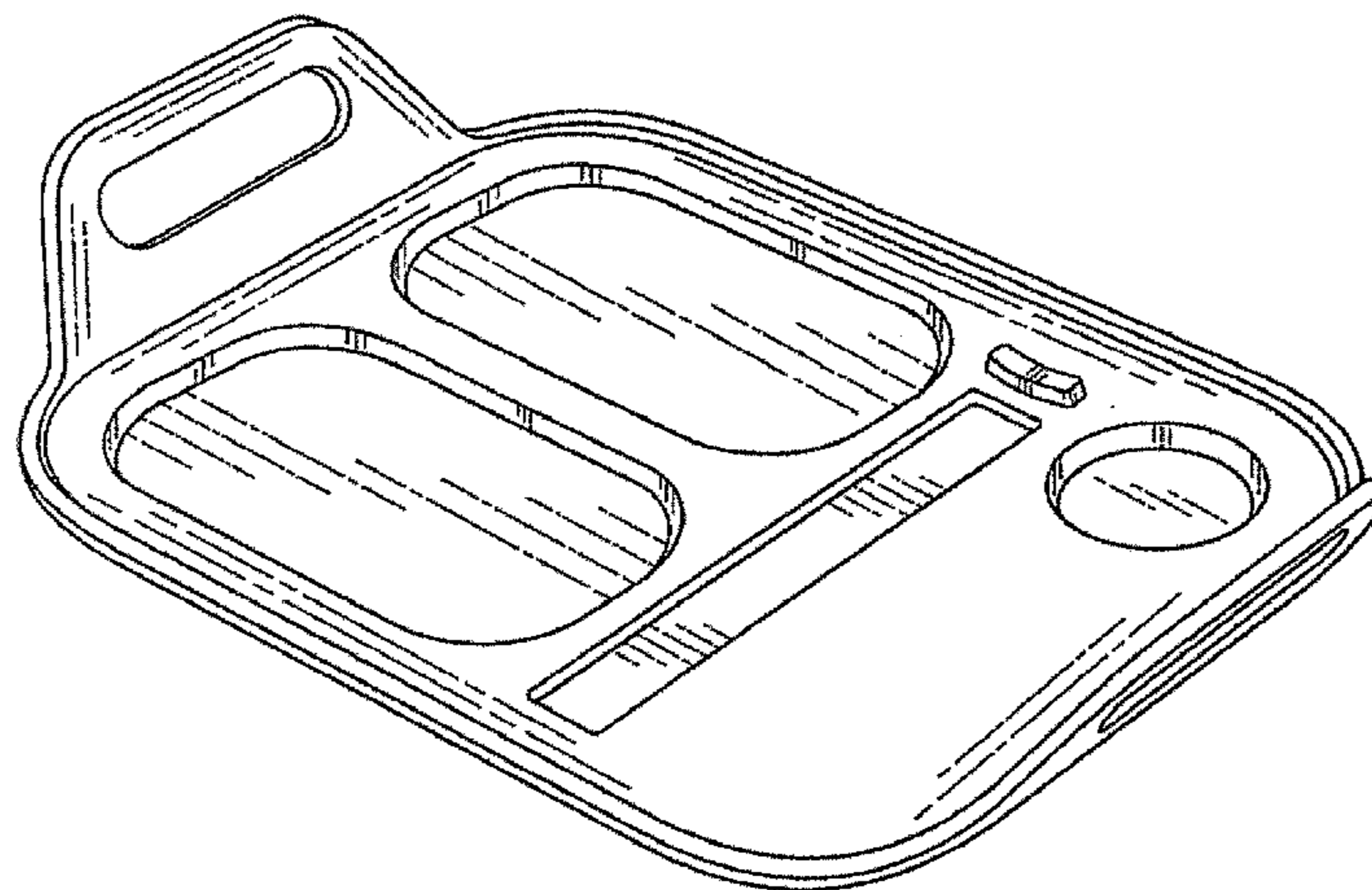
FIG. 16 is a top view thereof;

FIG. 17 is a bottom view thereof; and,

FIG. 18 is a perspective view of a modular food containment system shown in use condition with the broken line showing of chopsticks, food containers, drink, and napkin forming no part of the claimed design.

The broken line showing of additional articles in FIGS. 8, 9, 10, and 11 is included for the purpose of illustrating environmental use and forms no part of the claimed design.

1 Claim, 8 Drawing Sheets



U.S. PATENT DOCUMENTS

D200,359 S * 2/1965 Cesareo D9/424
 D216,869 S * 3/1970 Britt D7/553.5
 D242,515 S * 11/1976 Shumrak D7/553.5
 D254,599 S * 4/1980 Otto D9/761
 D255,310 S * 6/1980 Spencer D7/553.5
 D255,527 S * 6/1980 Seager D7/549
 D271,932 S * 12/1983 Mosley D7/553.5
 4,807,776 A * 2/1989 Cortopassi 220/23.83
 D300,496 S * 4/1989 Childress D7/553.4
 D331,709 S * 12/1992 Nardin D10/47
 D436,495 S * 1/2001 Ferrer D7/360
 D436,500 S * 1/2001 Kearney D7/553.5
 D444,058 S * 6/2001 Hampshire et al. D9/761
 D451,347 S * 12/2001 Kleckauskas et al. D7/552.1
 D472,767 S * 4/2003 Gebhardt et al. D7/552.1
 D511,682 S * 11/2005 Doucette D9/737
 D515,438 S * 2/2006 Baranowski et al. D9/737
 D515,939 S * 2/2006 Al Sanea D9/737
 D517,405 S * 3/2006 Snedden et al. D9/425
 D551,091 S * 9/2007 Shahsavarani D9/761
 D553,012 S * 10/2007 Changpan D9/761

D560,099 S * 1/2008 Hatcher D7/554.3
 D563,167 S * 3/2008 Snedden et al. D7/505
 D575,989 S * 9/2008 McFarland D7/554.3
 D577,960 S * 10/2008 Ersan D7/541
 D596,485 S * 7/2009 Andre et al. D9/737
 D596,499 S * 7/2009 Willis et al. D9/761
 D597,379 S * 8/2009 Changpan D7/542
 D600,502 S * 9/2009 Paslawski D7/548
 D607,284 S * 1/2010 Ho D7/629
 D608,150 S * 1/2010 Lilly D7/552.1
 D620,761 S * 8/2010 Boudreau D7/549
 D629,310 S * 12/2010 Tran D9/737
 D643,309 S * 8/2011 Birchmeier et al. D9/759
 D659,023 S * 5/2012 Hsu

OTHER PUBLICATIONS

Restriction Requirement for U.S. Appl. No. 29/340,965 mailed Oct. 5, 2011.

“Superior Products 2009 Foodservice Equipment & Supplies Catalog”, St, Paul, MN 2009, p. 203.

* cited by examiner

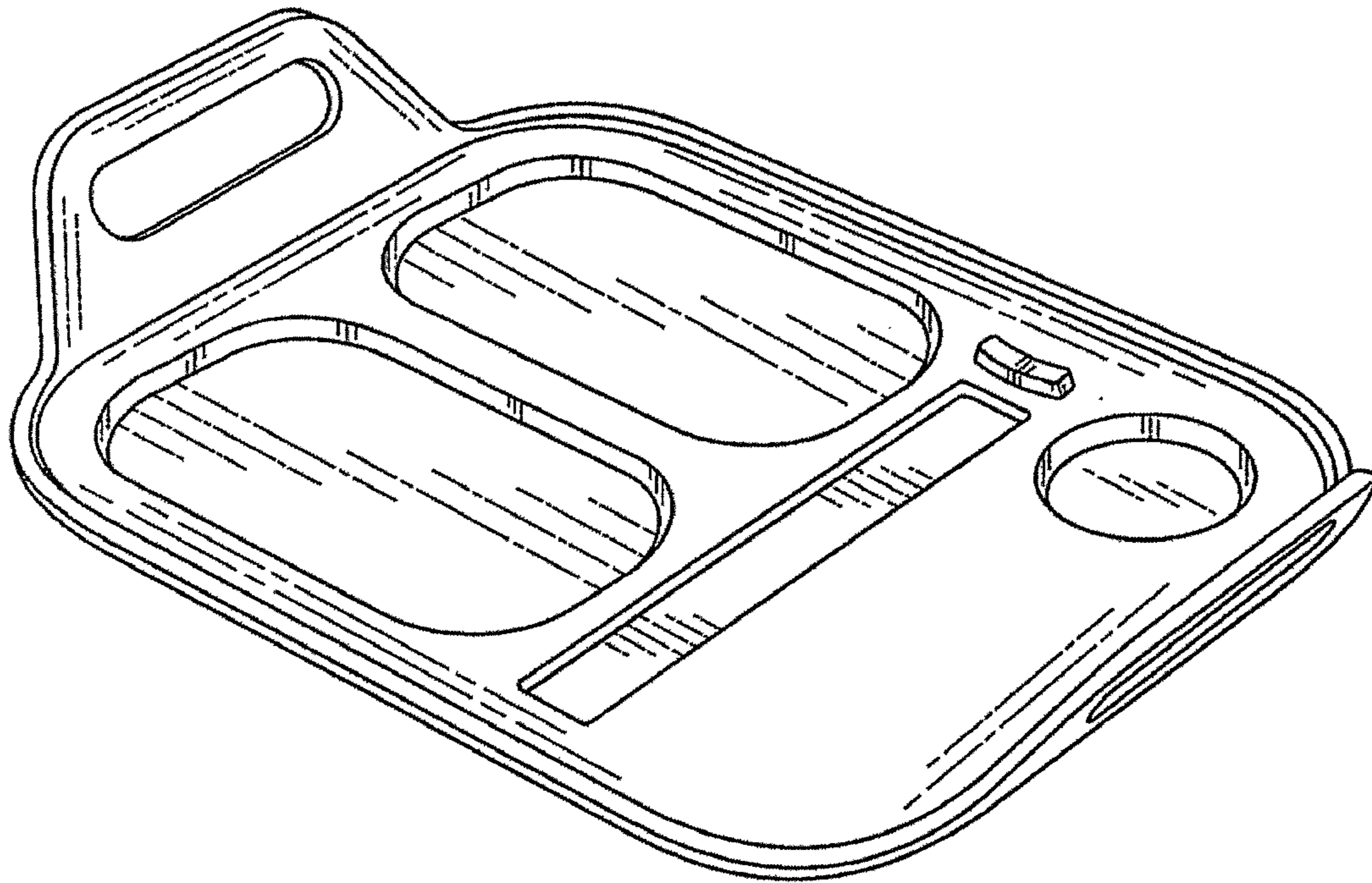


FIG. 1

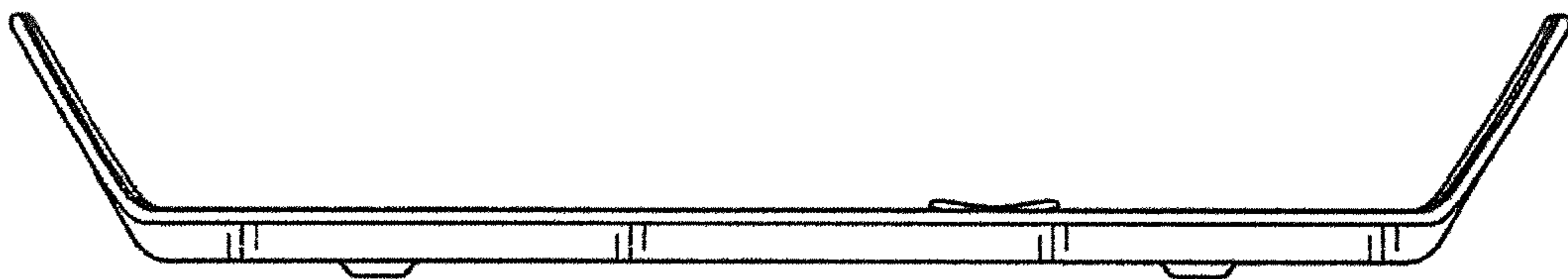


FIG. 2

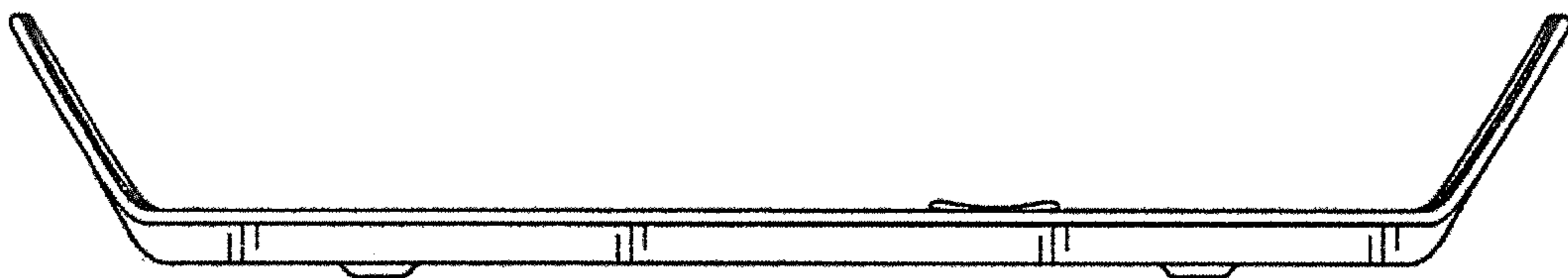


FIG. 3

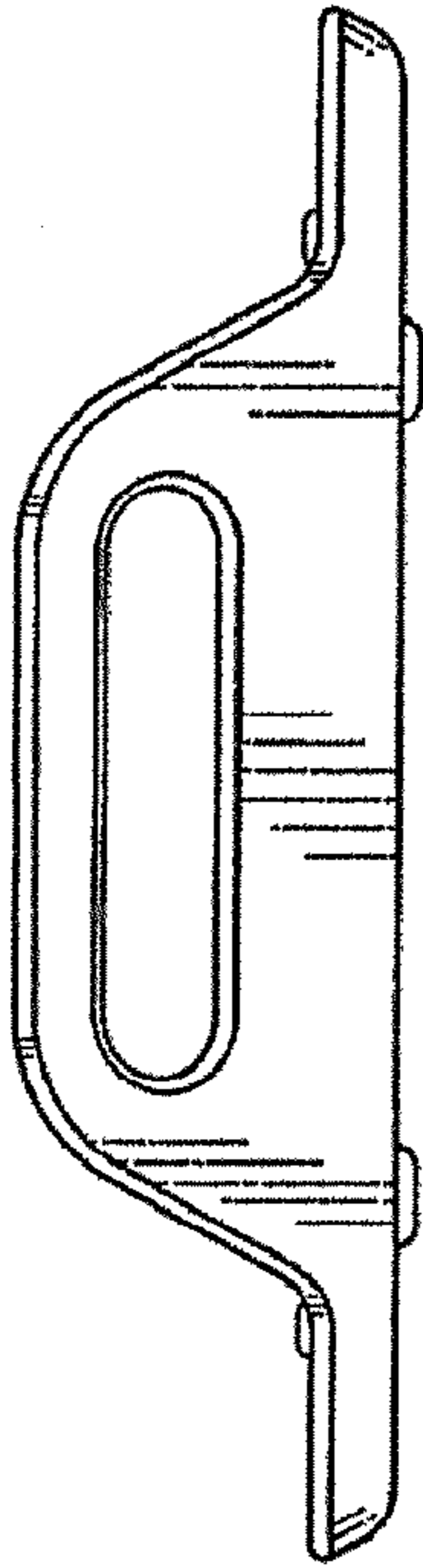


FIG. 4

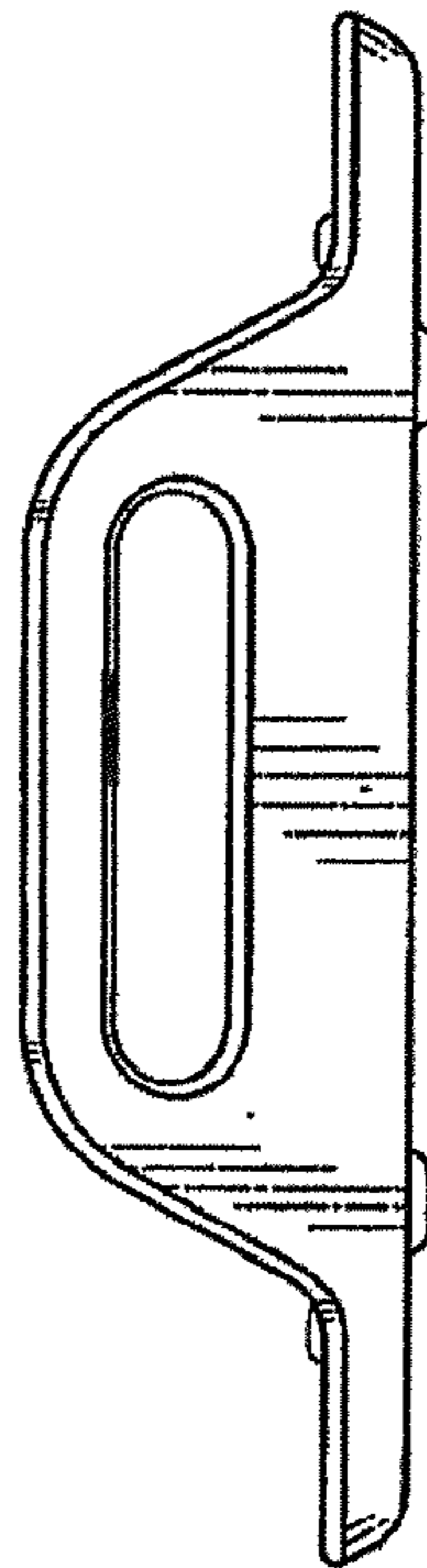


FIG. 5

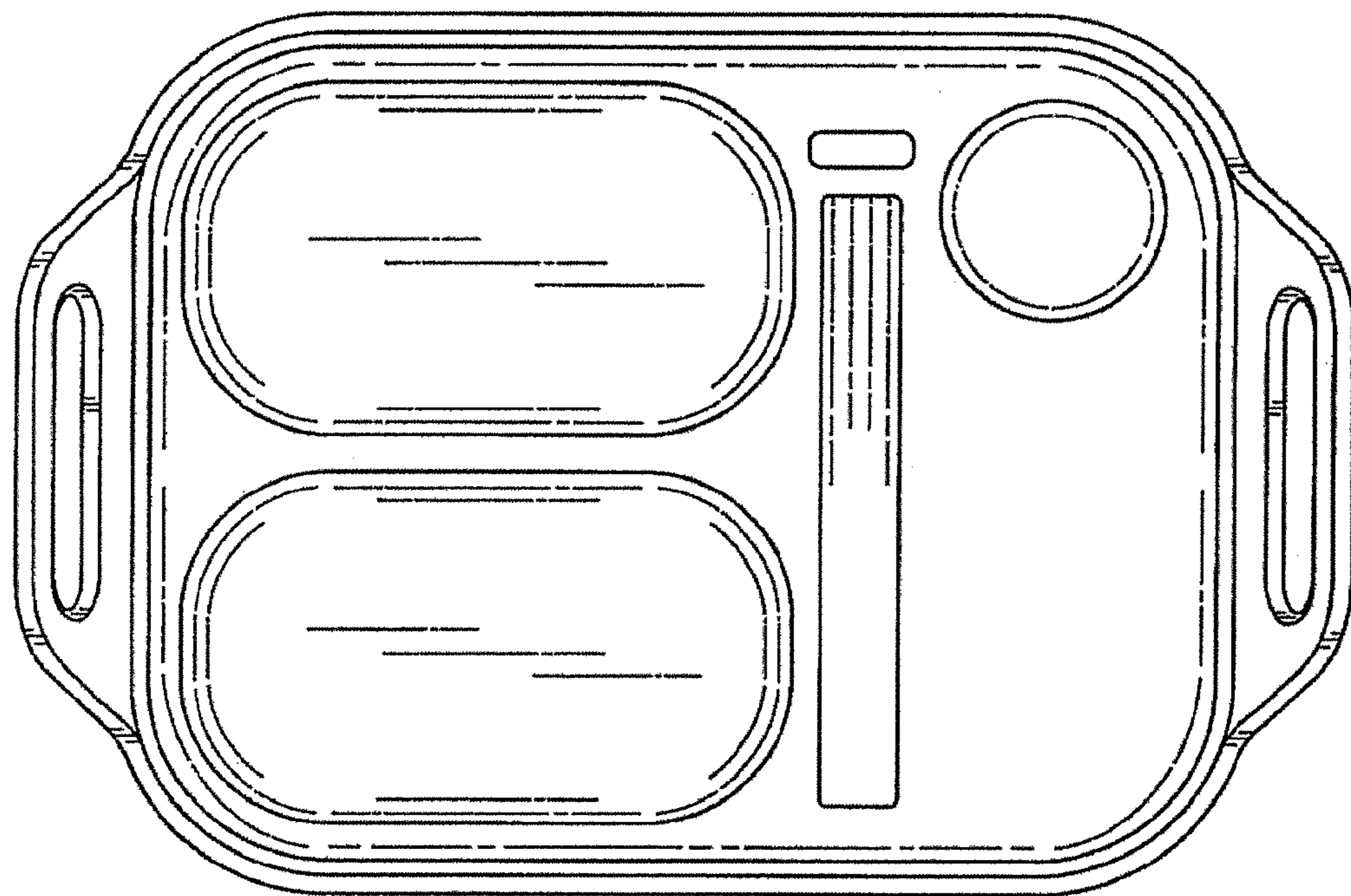


FIG. 6

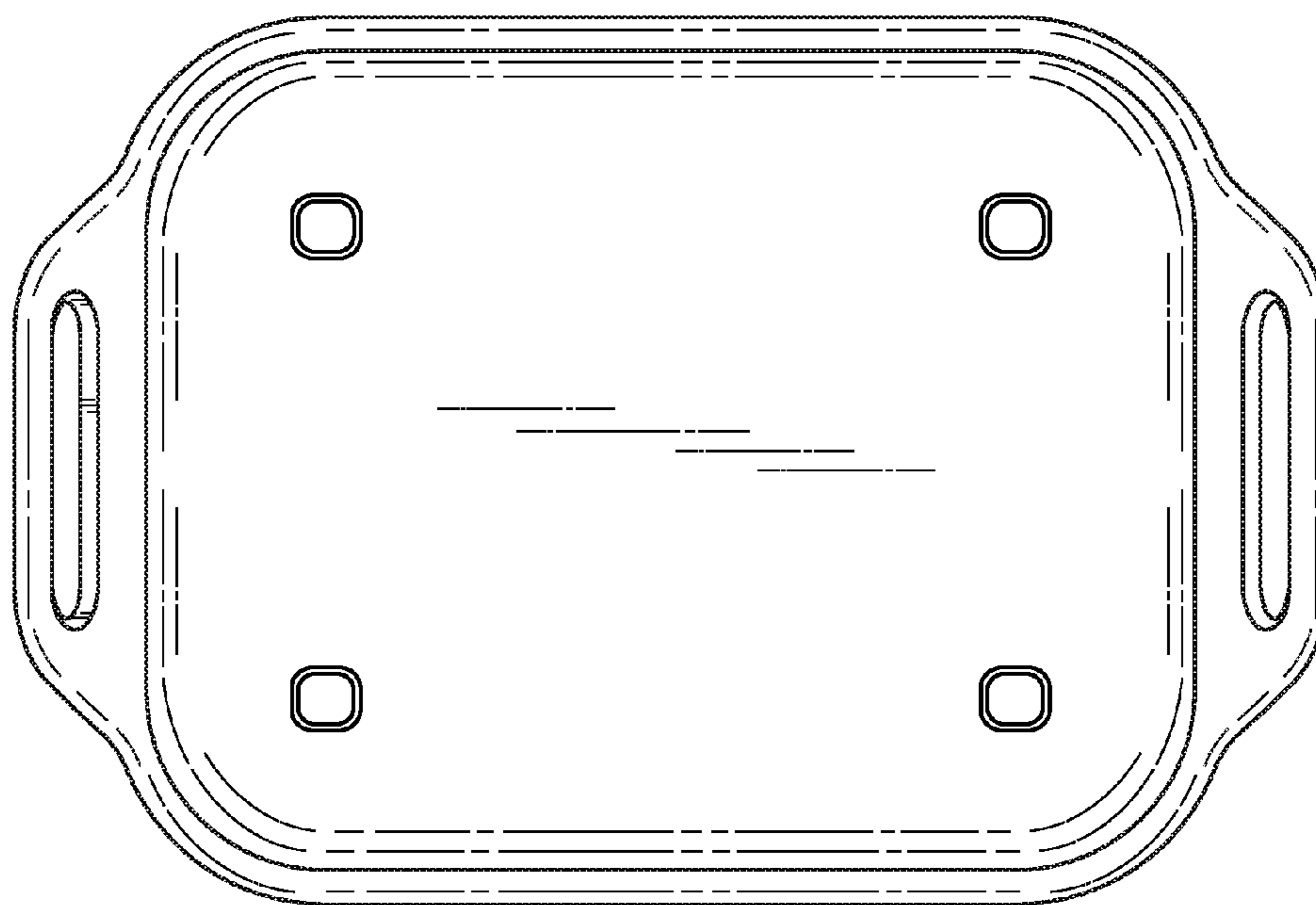


FIG. 7

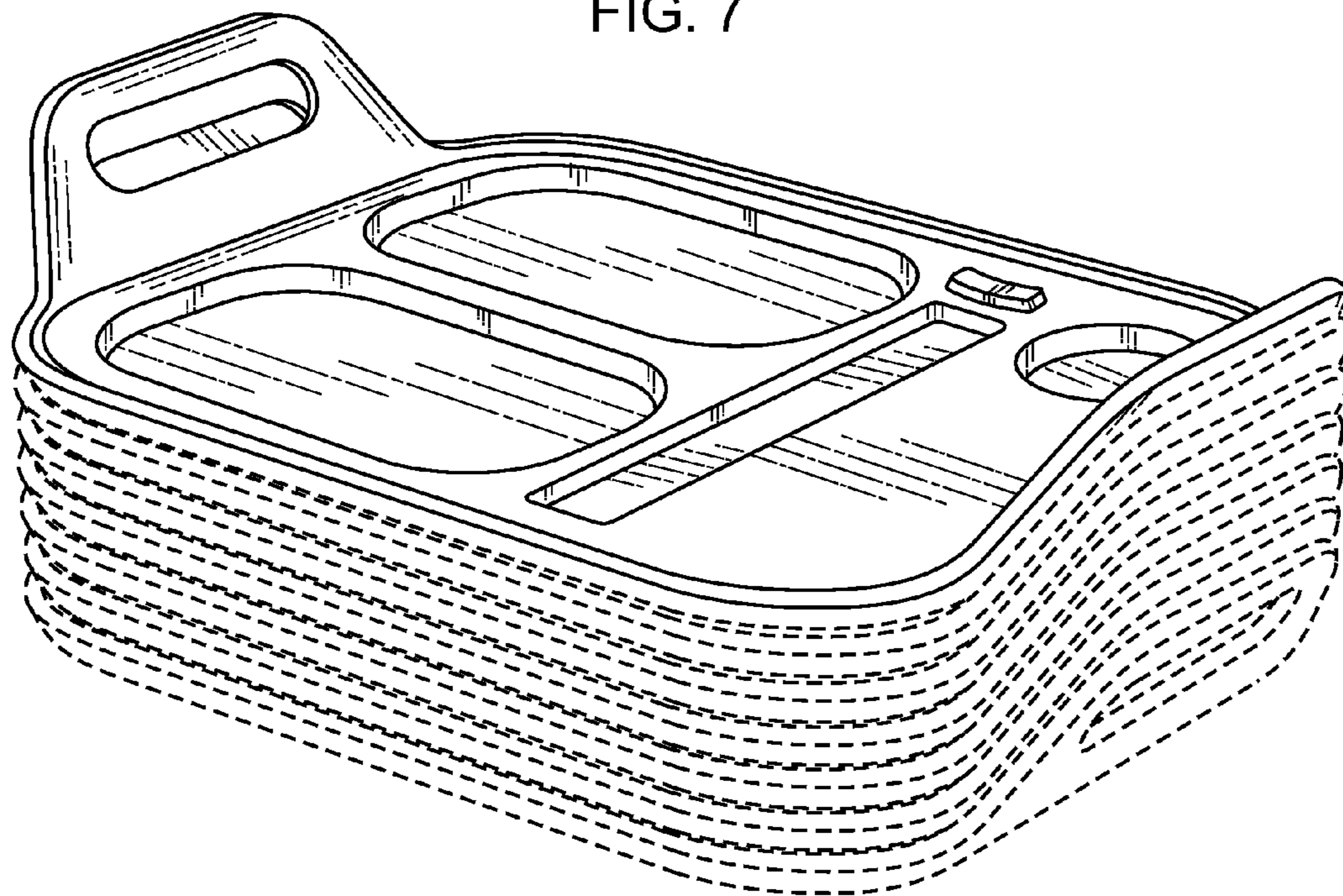


FIG. 8

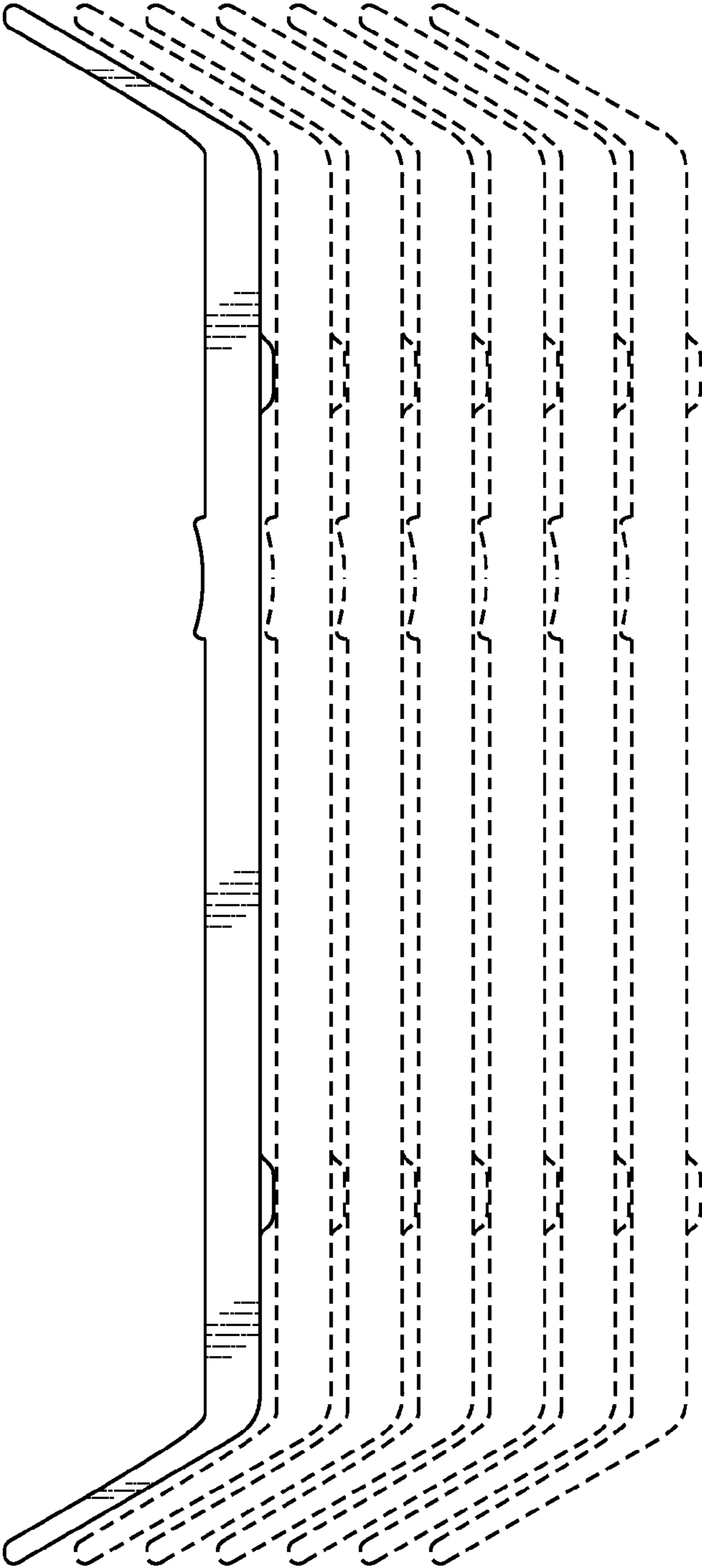


FIG. 9

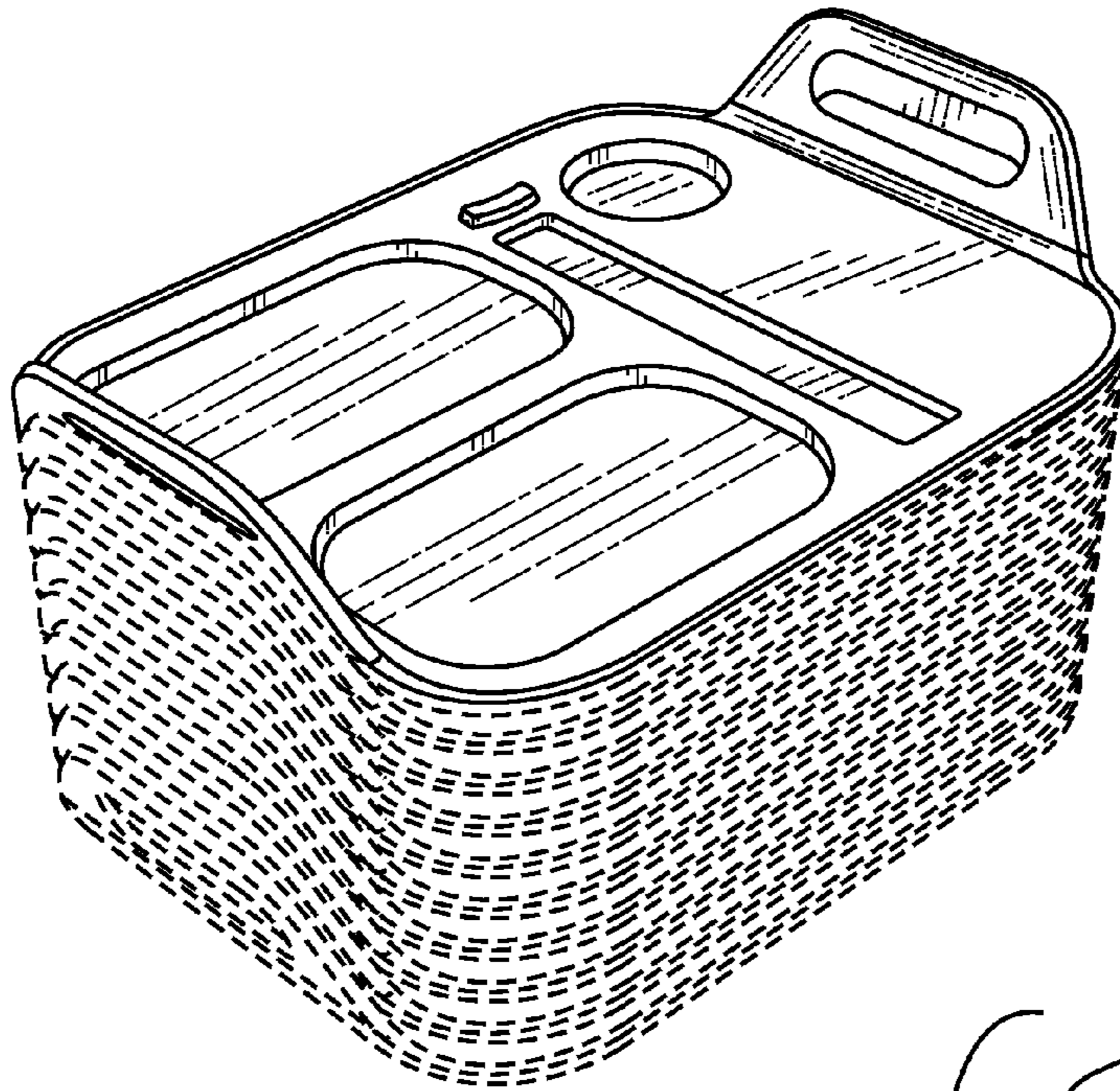


FIG. 10

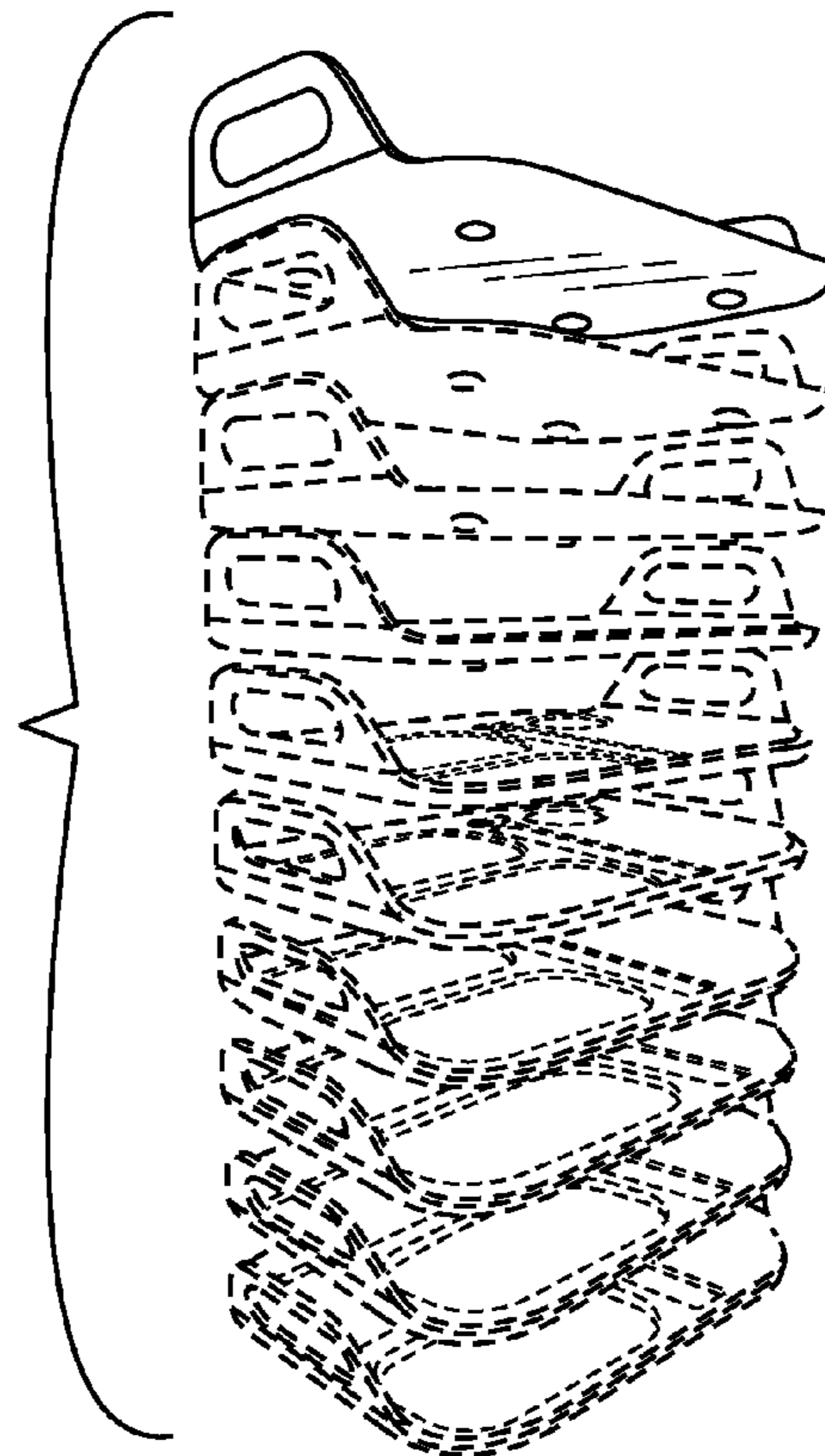


FIG. 11



FIG. 12



FIG. 13

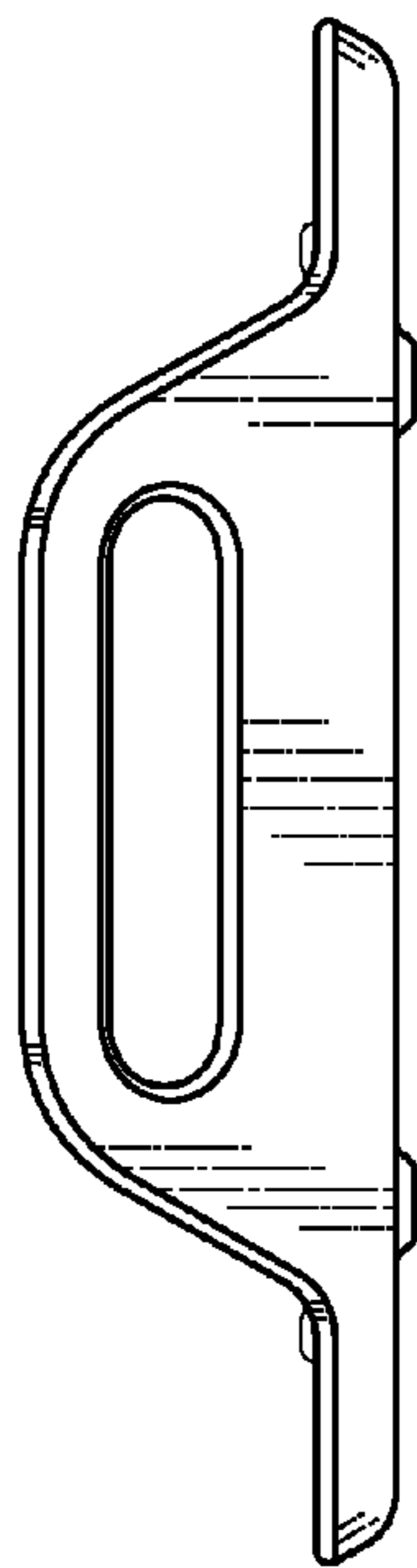


FIG. 14

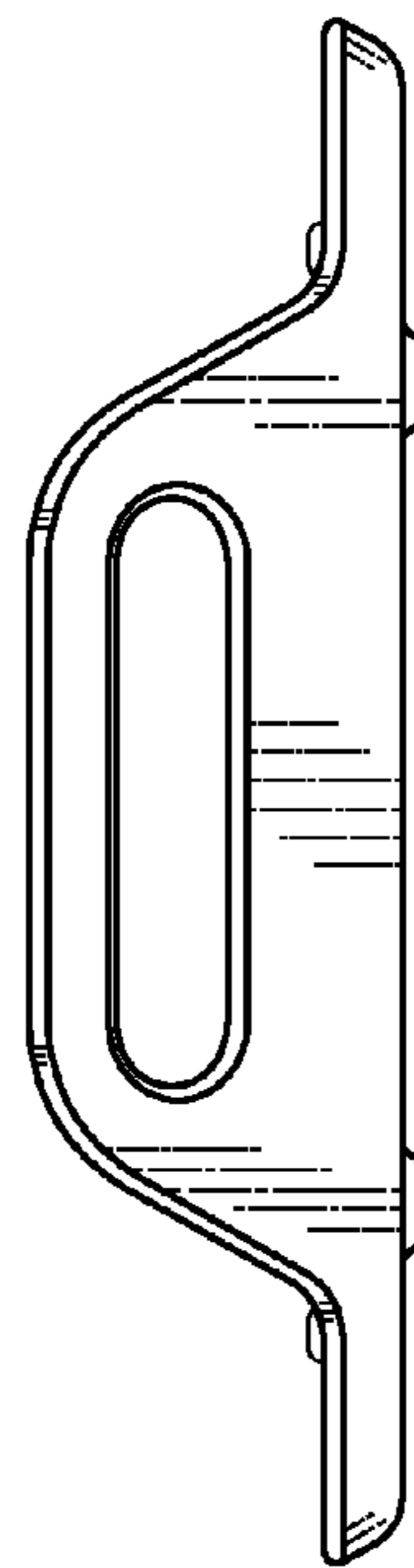


FIG. 15

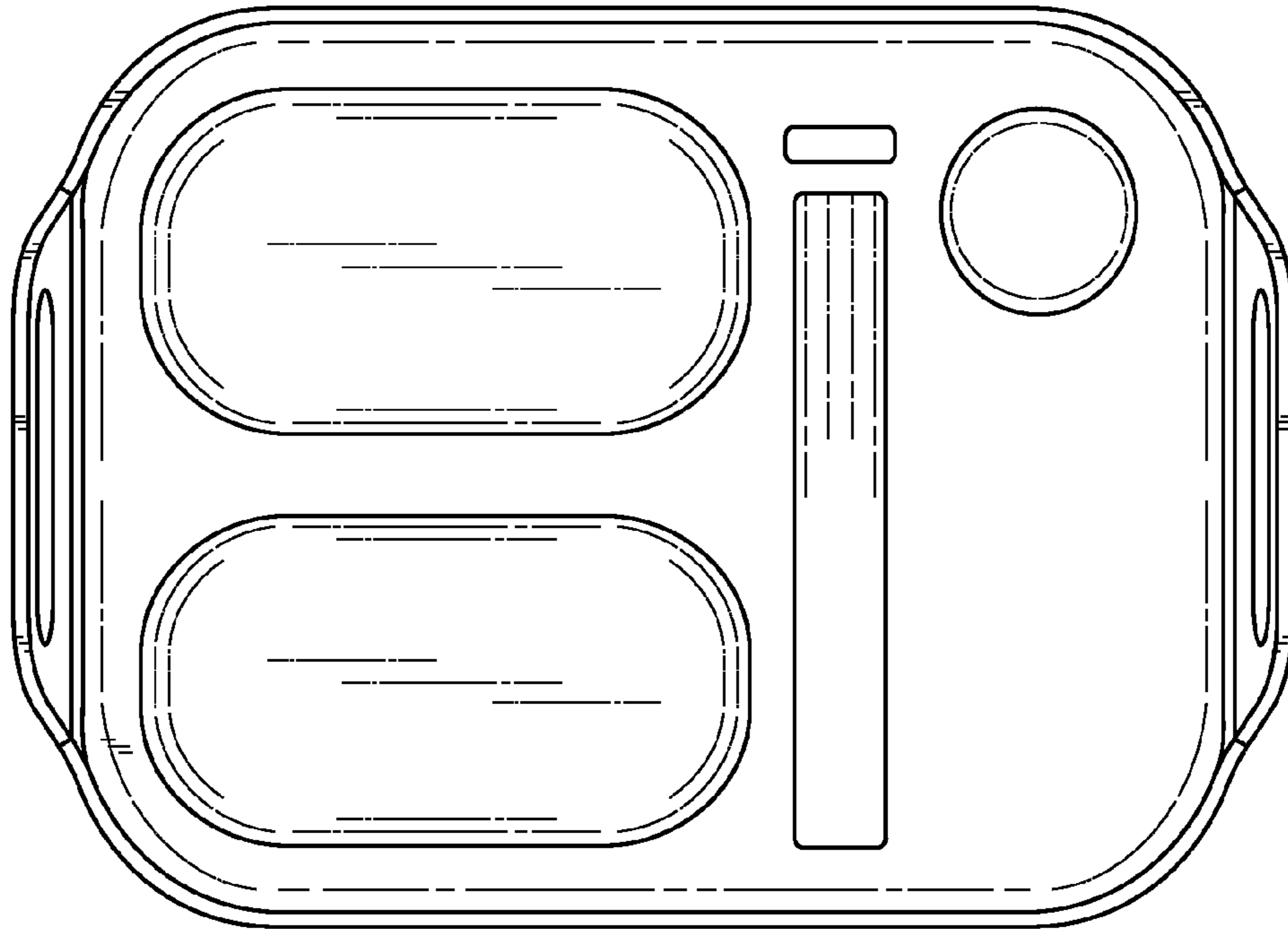


FIG. 16

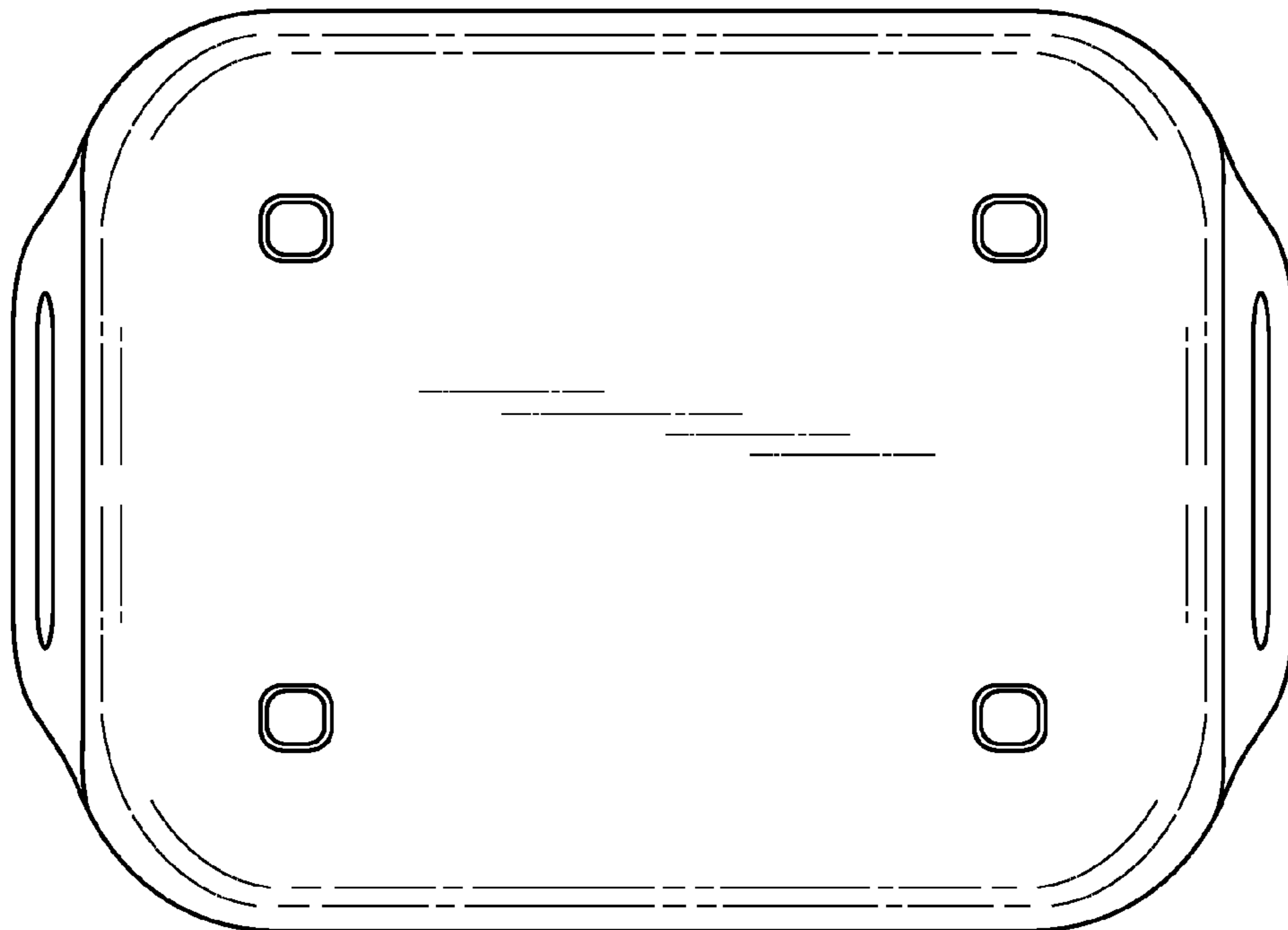


FIG. 17

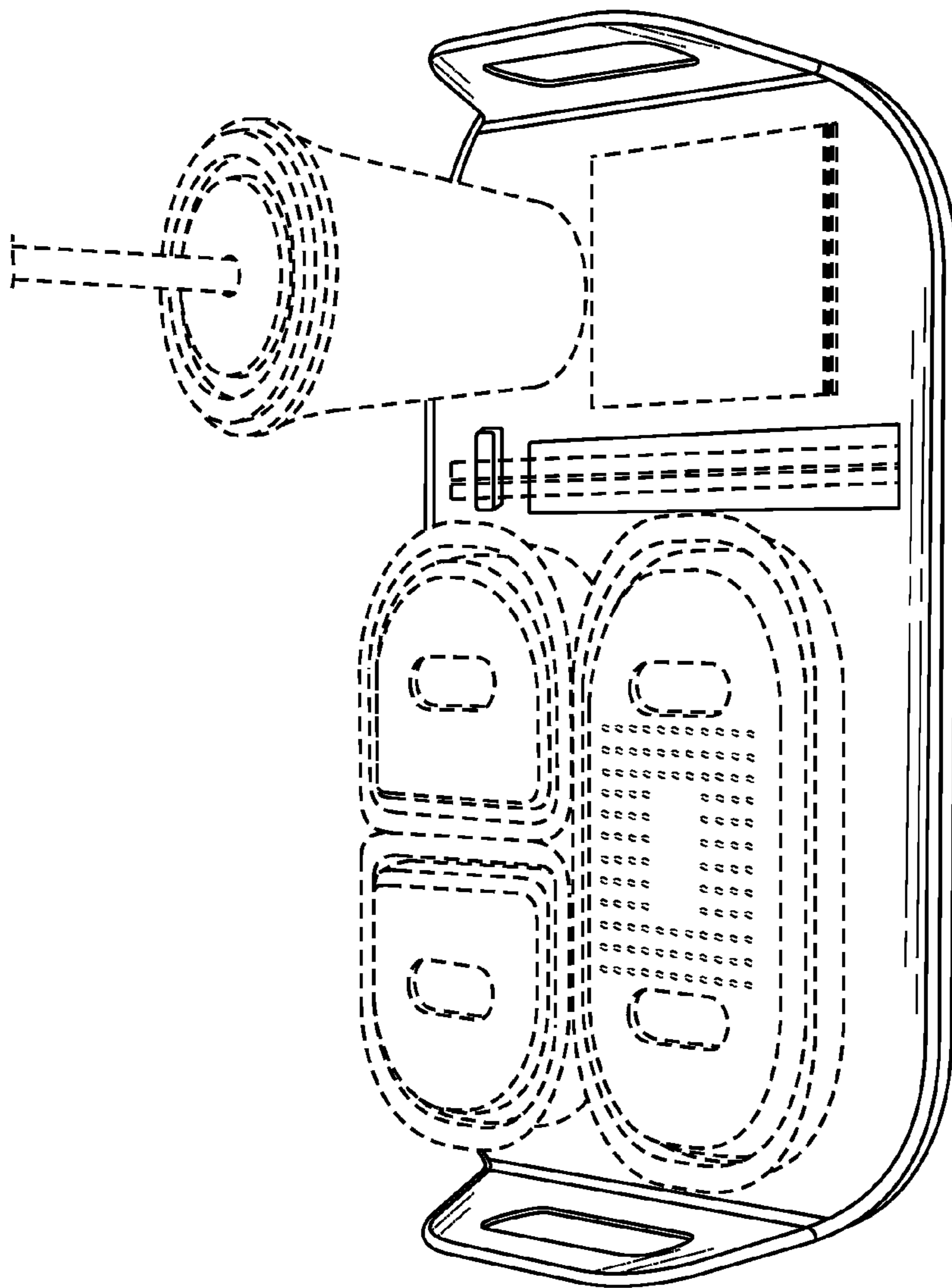


FIG. 18

UNITED STATES PATENT AND TRADEMARK OFFICE
CERTIFICATE OF CORRECTION

PATENT NO. : D669,311 S
APPLICATION NO. : 29/420295
DATED : October 23, 2012
INVENTOR(S) : Hsu

Page 1 of 1

It is certified that error appears in the above-identified patent and that said Letters Patent is hereby corrected as shown below:

First page, column 2, DESCRIPTION, line 22, after “is a” delete “is a” (second occurrence).

Signed and Sealed this
Twenty-ninth Day of January, 2013

A handwritten signature in black ink that reads "David J. Kappos". The signature is written in a cursive style with a large initial 'D' and 'K'.

David J. Kappos
Director of the United States Patent and Trademark Office