

US00D669308S

(12) **United States Design Patent**  
**Hecht**

(10) **Patent No.:** **US D669,308 S**

(45) **Date of Patent:** **\*\* Oct. 23, 2012**

(54) **SHUT-OFF SCREW**

(75) **Inventor:** **Thomas R. Hecht**, Winters, CA (US)

(73) **Assignee:** **Automatic Bar Controls, Inc.**,  
Vacaville, CA (US)

(\*\*) **Term:** **14 Years**

(21) **Appl. No.:** **29/380,328**

(22) **Filed:** **Dec. 2, 2010**

(51) **LOC (9) Cl.** ..... **07-99**

(52) **U.S. Cl.** ..... **D7/398; D7/397**

(58) **Field of Classification Search** ..... D7/397,  
D7/398, 313, 306, 300.1, 399; 99/323.2;  
222/146.6, 113; D23/238, 255  
See application file for complete search history.

(56) **References Cited**

**U.S. PATENT DOCUMENTS**

3,596,542	A	*	8/1971	Wallace	.....	81/474
D274,754	S	*	7/1984	Chernack	.....	D24/129
D354,656	S	*	1/1995	Strawbridge	.....	D7/398
D396,994	S	*	8/1998	Carrino	.....	D7/393
D411,710	S	*	6/1999	Watters et al.	.....	D7/398

D475,888	S	*	6/2003	Celli	.....	D7/398
D619,849	S	*	7/2010	Power	.....	D7/398
D646,105	S	*	10/2011	Deo et al.	.....	D7/306

\* cited by examiner

*Primary Examiner* — Marianne Pandozzi

(74) *Attorney, Agent, or Firm* — Kilpatrick Townsend & Stockton LLP

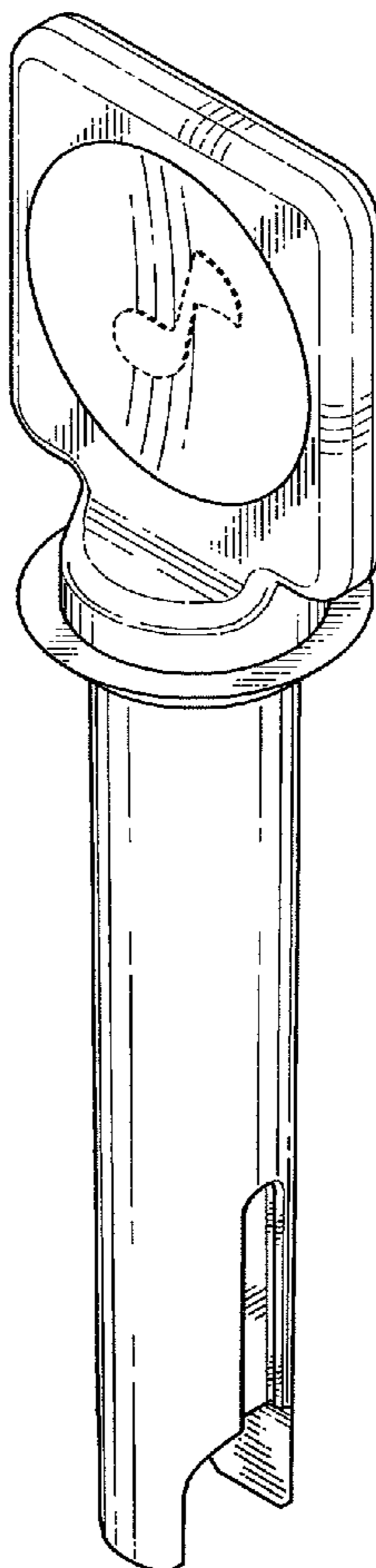
(57) **CLAIM**

The ornamental design for a shut-off screw, as shown and described.

**DESCRIPTION**

FIG. 1 is a top perspective view of a shut-off screw showing my new design;  
FIG. 2 is a bottom perspective view thereof;  
FIG. 3 is a front elevational view thereof;  
FIG. 4 is a rear elevational view thereof;  
FIG. 5 is a right side elevational view thereof;  
FIG. 6 is a left side elevational view thereof;  
FIG. 7 is a top plan thereof; and,  
FIG. 8 is a bottom plan view thereof.  
The broken line showings form no part of the claimed design.

**1 Claim, 5 Drawing Sheets**



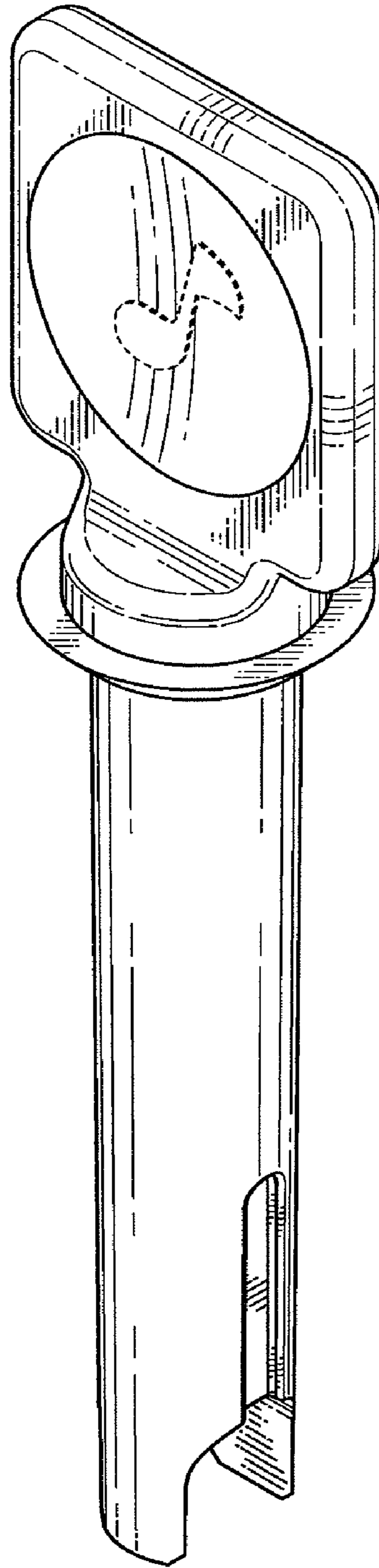


FIG. 1

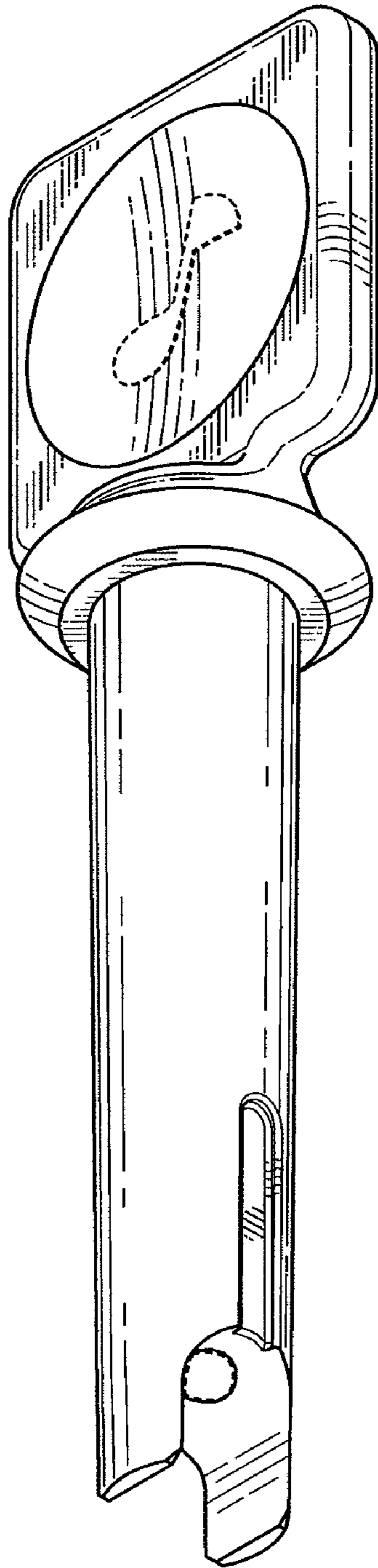


FIG. 2

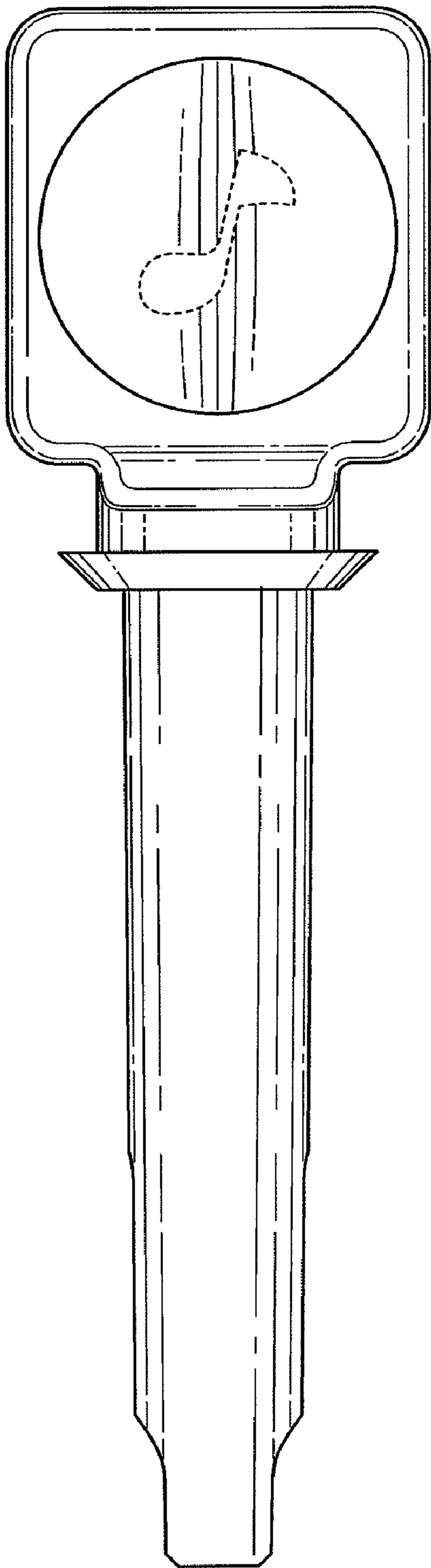


FIG. 3

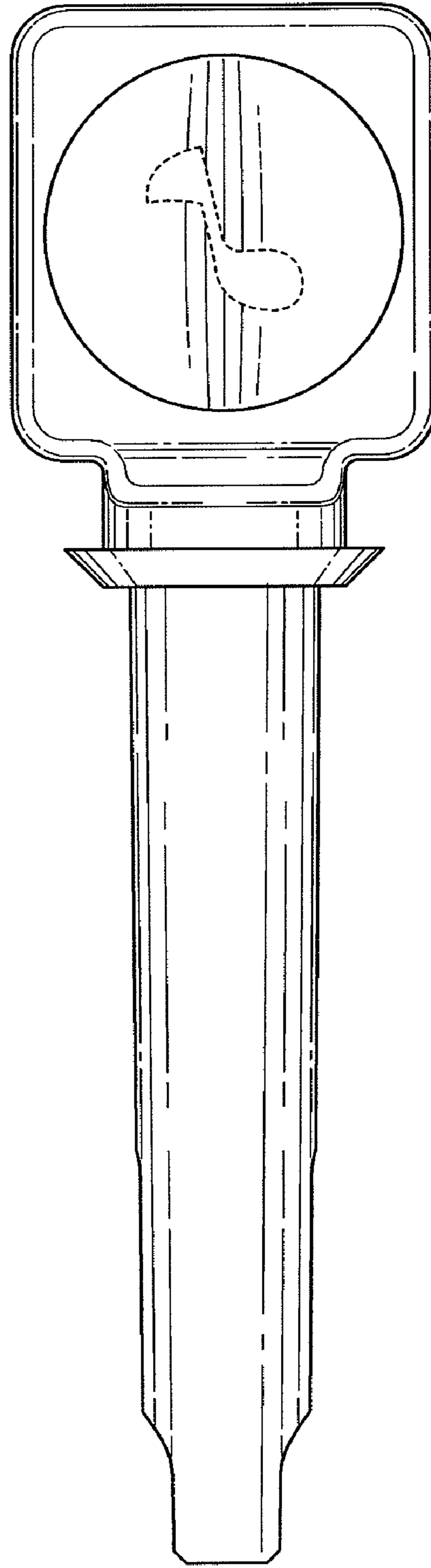


FIG. 4

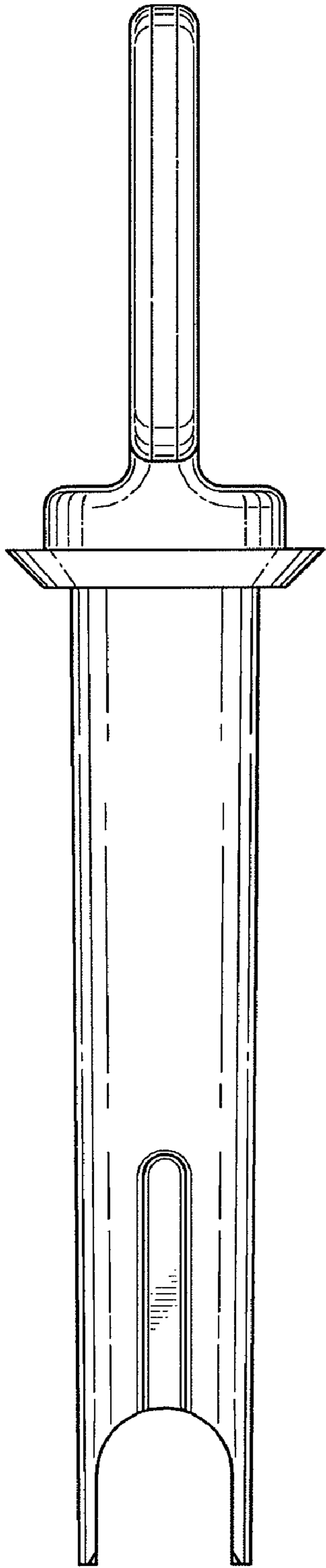


FIG. 5

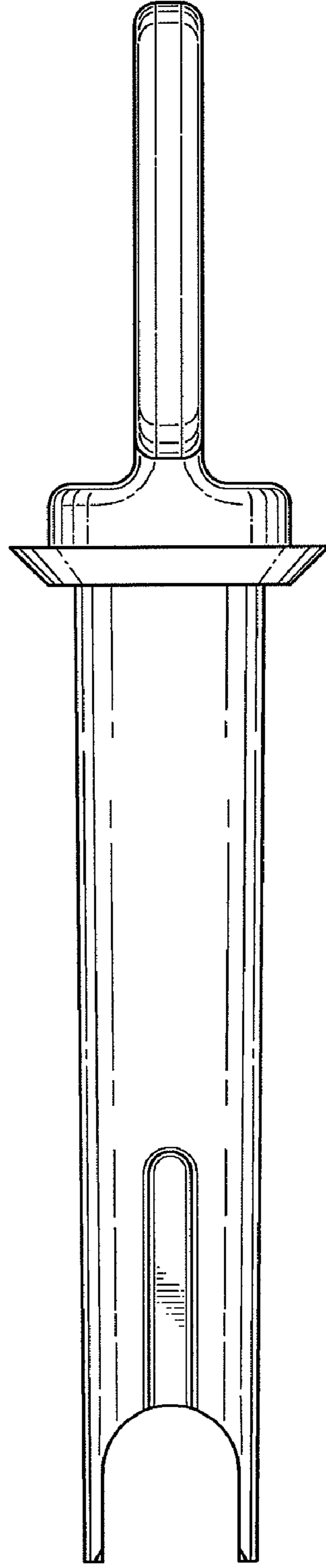


FIG. 6

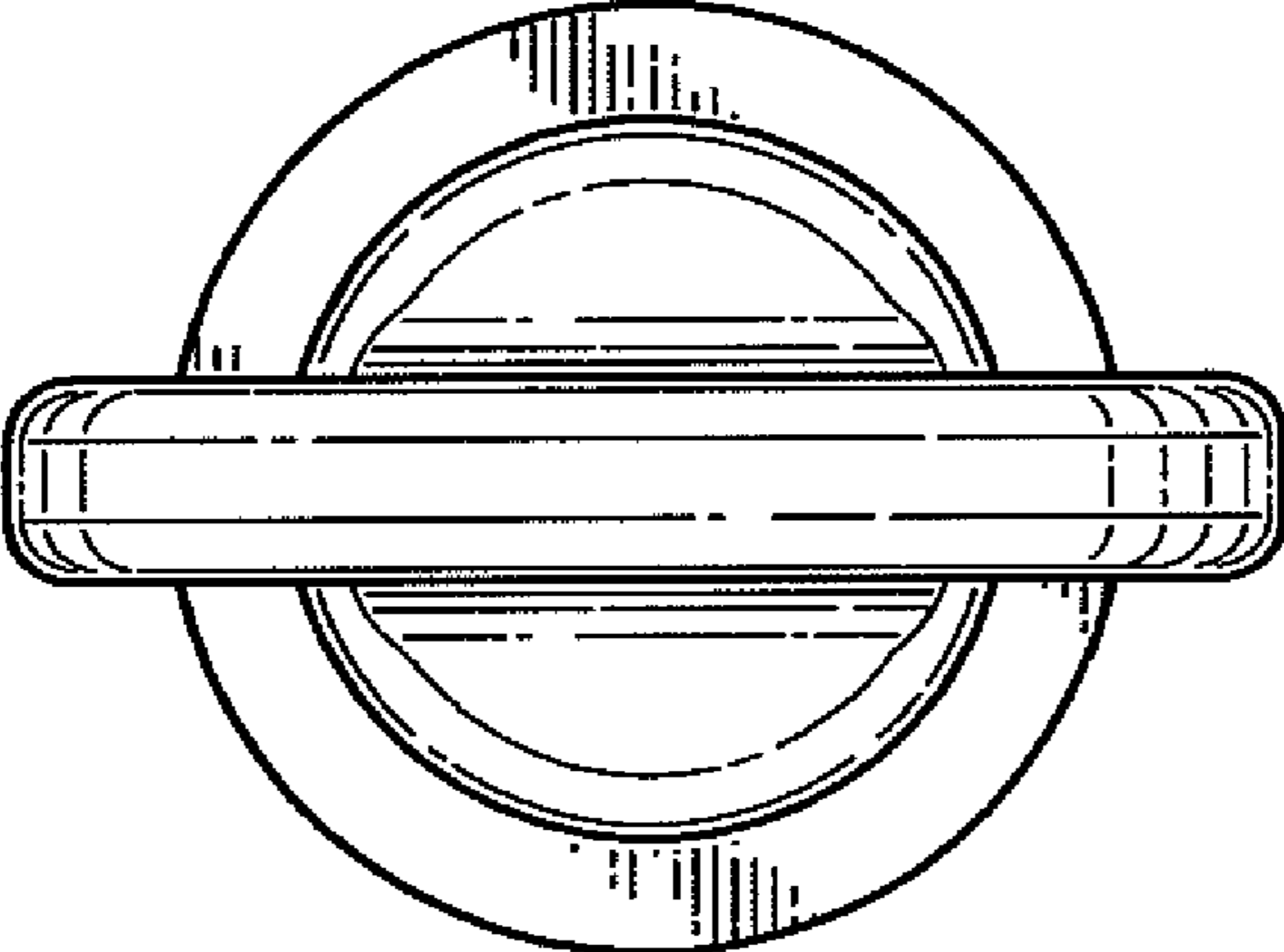


FIG. 7

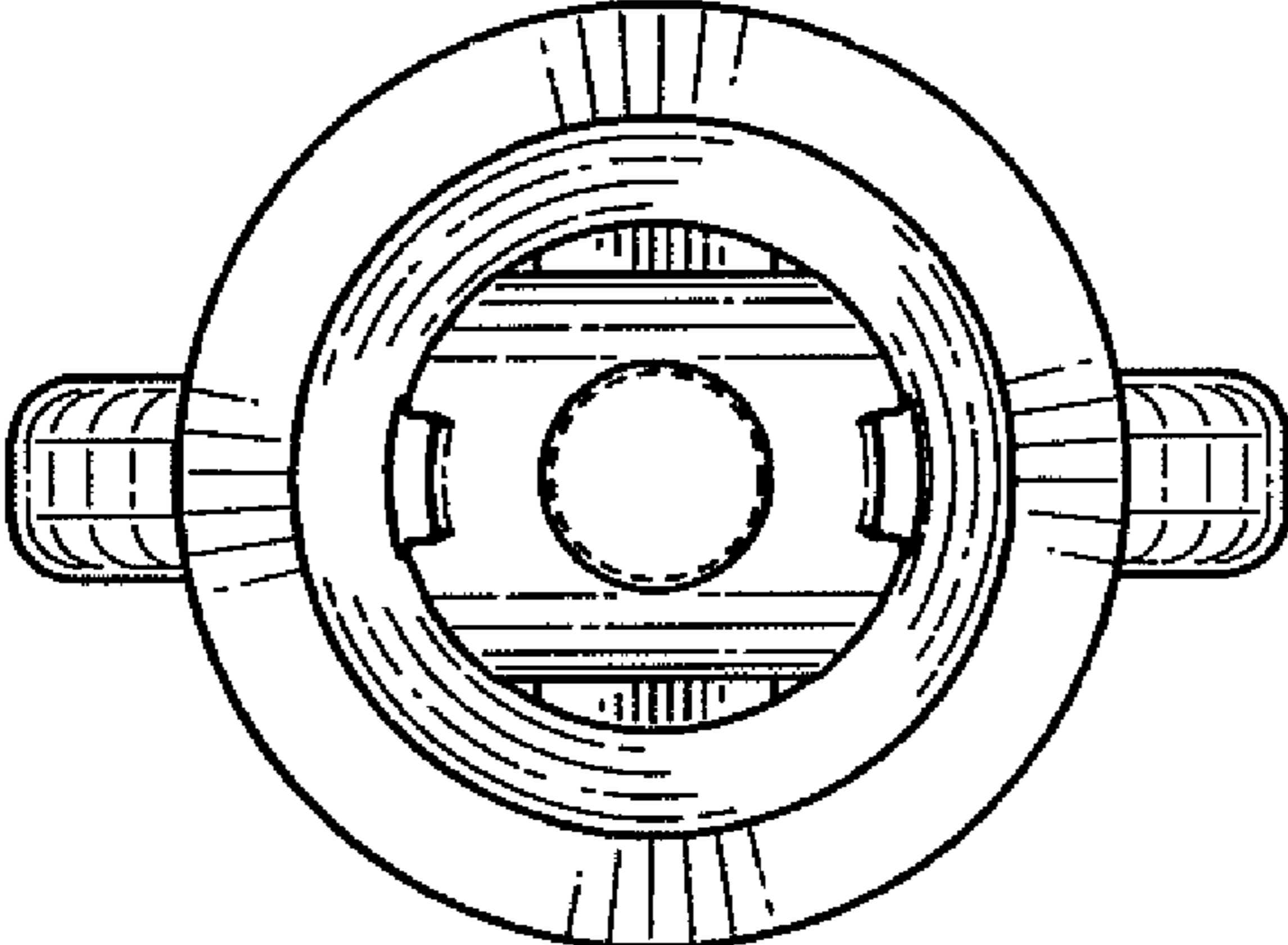


FIG. 8