



US00D669306S

(12) **United States Design Patent**  
**Barreto et al.**

(10) **Patent No.:** **US D669,306 S**  
(45) **Date of Patent:** **\*\* Oct. 23, 2012**

(54) **LID FOR BEVERAGE CONTAINER**

(75) Inventors: **Aldo J. Barreto**, Amelia, OH (US); **Ares M. Marasligiller**, Cincinnati, OH (US); **Yashodhan H. Dhuru**, Cincinnati, OH (US)

(73) Assignee: **Tervis Tumbler Company**, North Venice, FL (US)

(\*\*) Term: **14 Years**

(21) Appl. No.: **29/399,034**

(22) Filed: **Aug. 9, 2011**

(51) **LOC (9) Cl.** ..... **07-02**

(52) **U.S. Cl.** ..... **D7/392.1**

(58) **Field of Classification Search** ..... D7/316,  
D7/317, 391, 392, 392.1, 396.2, 509, 510,  
D7/511, 629, 900; D9/434, 435, 440, 444,  
D9/445, 447, 449-450, 454, 503-504; 215/211,  
215/200, 224, 228, 243; 220/254.3, 254.7,  
220/254.9, 269, 270, 271, 700, 701, 703,  
220/711, 713-715, 719

See application file for complete search history.

(56) **References Cited**

**U.S. PATENT DOCUMENTS**

D240,601 S \* 7/1976 Newman ..... D9/447  
4,582,214 A \* 4/1986 Dart et al. .... 220/713  
D291,537 S \* 8/1987 Crawford et al. .... D9/440

4,795,052 A \* 1/1989 Hayes, Jr. .... 220/711  
D335,424 S \* 5/1993 Chang ..... D7/391  
D379,928 S \* 6/1997 Freek et al. .... D9/447  
D384,281 S \* 9/1997 Wong ..... D9/443  
D430,989 S \* 9/2000 Price ..... D7/392.1  
D457,783 S \* 5/2002 Bodum ..... D7/511

\* cited by examiner

*Primary Examiner* — Cynthia M Chin

(74) *Attorney, Agent, or Firm* — Caesar, Rivise, Bernstein, Cohen & Pokotilow, Ltd.

(57) **CLAIM**

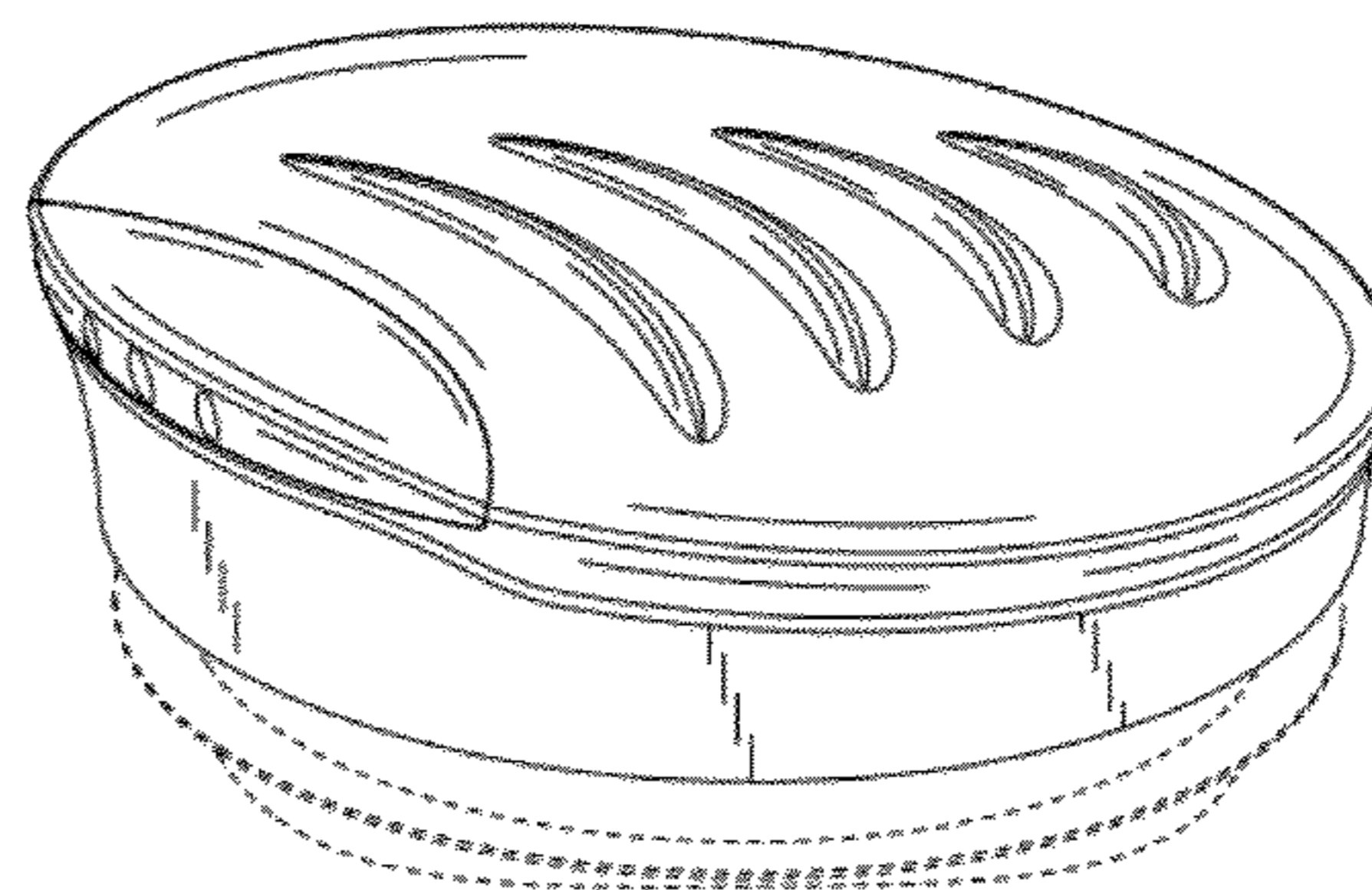
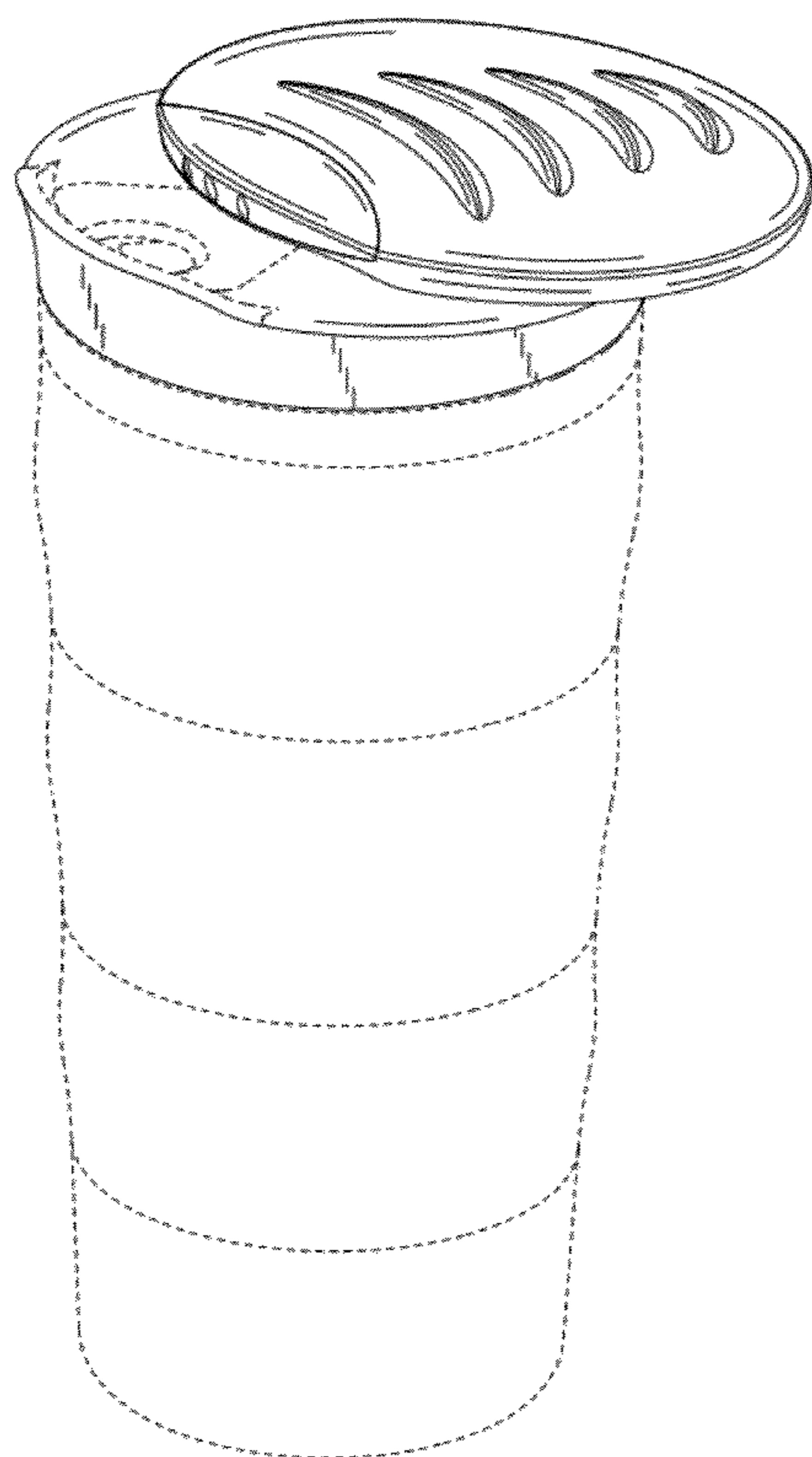
The ornamental design for a lid for a beverage container, as shown and described.

**DESCRIPTION**

FIG. 1 is an elevated perspective view of a beverage container and lid in the open position showing design; FIG. 2 is a perspective drawing showing the forward side thereof; FIG. 3 is a perspective view showing the rearward side thereof; FIG. 4 is a front view thereof; FIG. 5 is a rear view thereof; FIG. 6 is side view thereof; FIG. 7 is another side view thereof; FIG. 8 is a top view thereof; and, FIG. 9 is a bottom view thereof.

The broken lines showing the beverage container and portions of the lid are included for the purpose of illustrating environment and form no part of the claimed design.

**1 Claim, 5 Drawing Sheets**



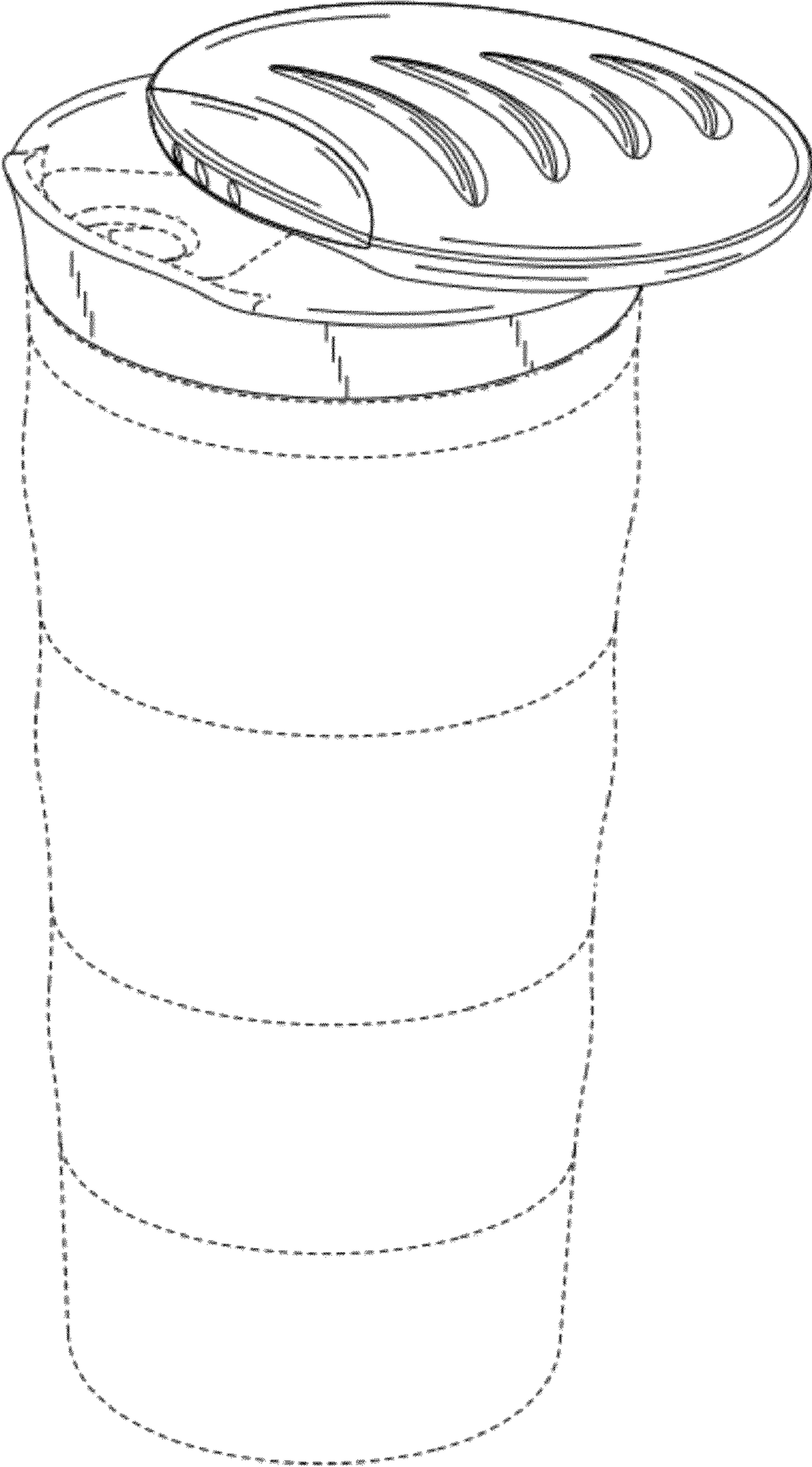


Fig. 1

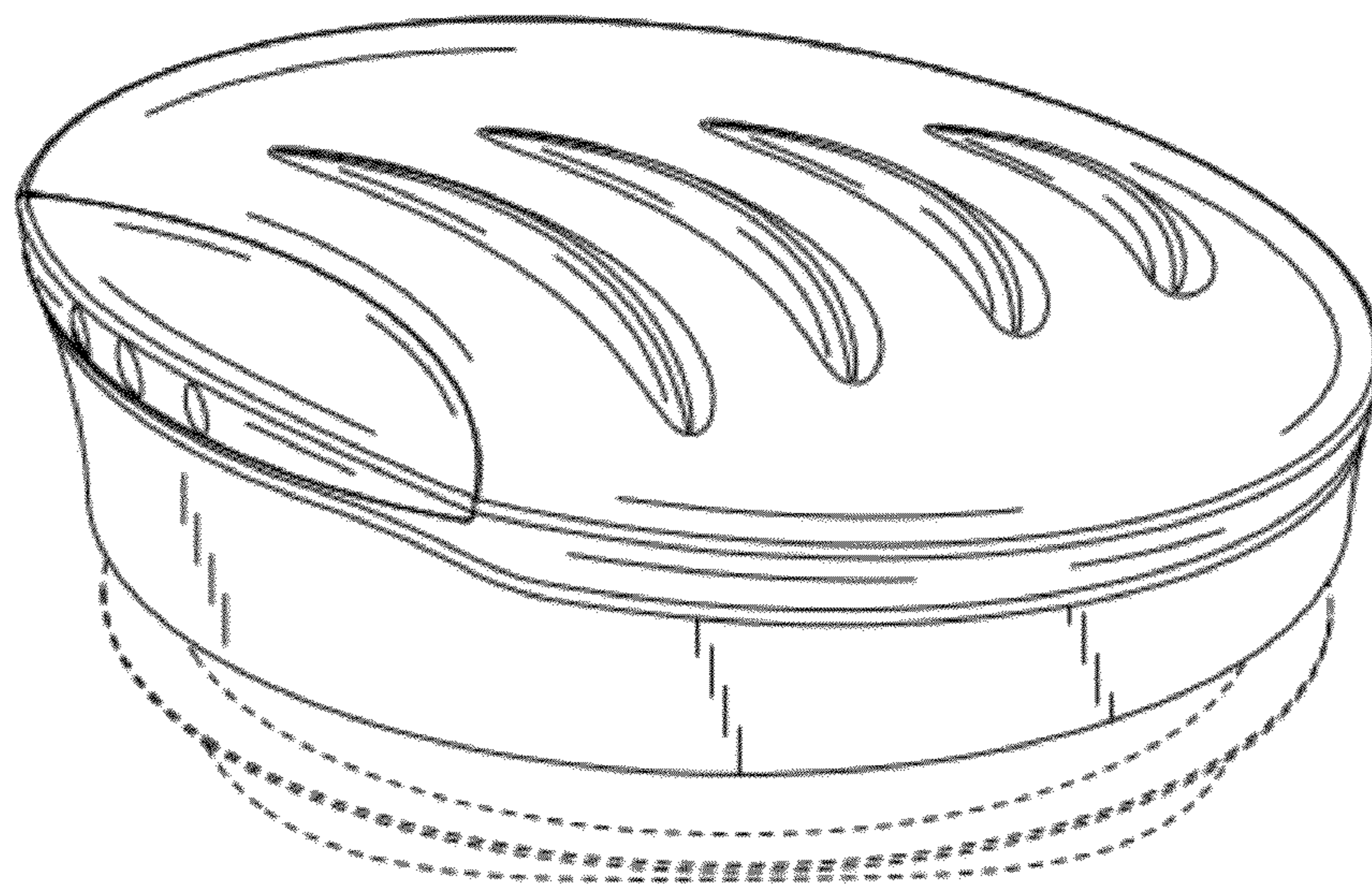


Fig. 2

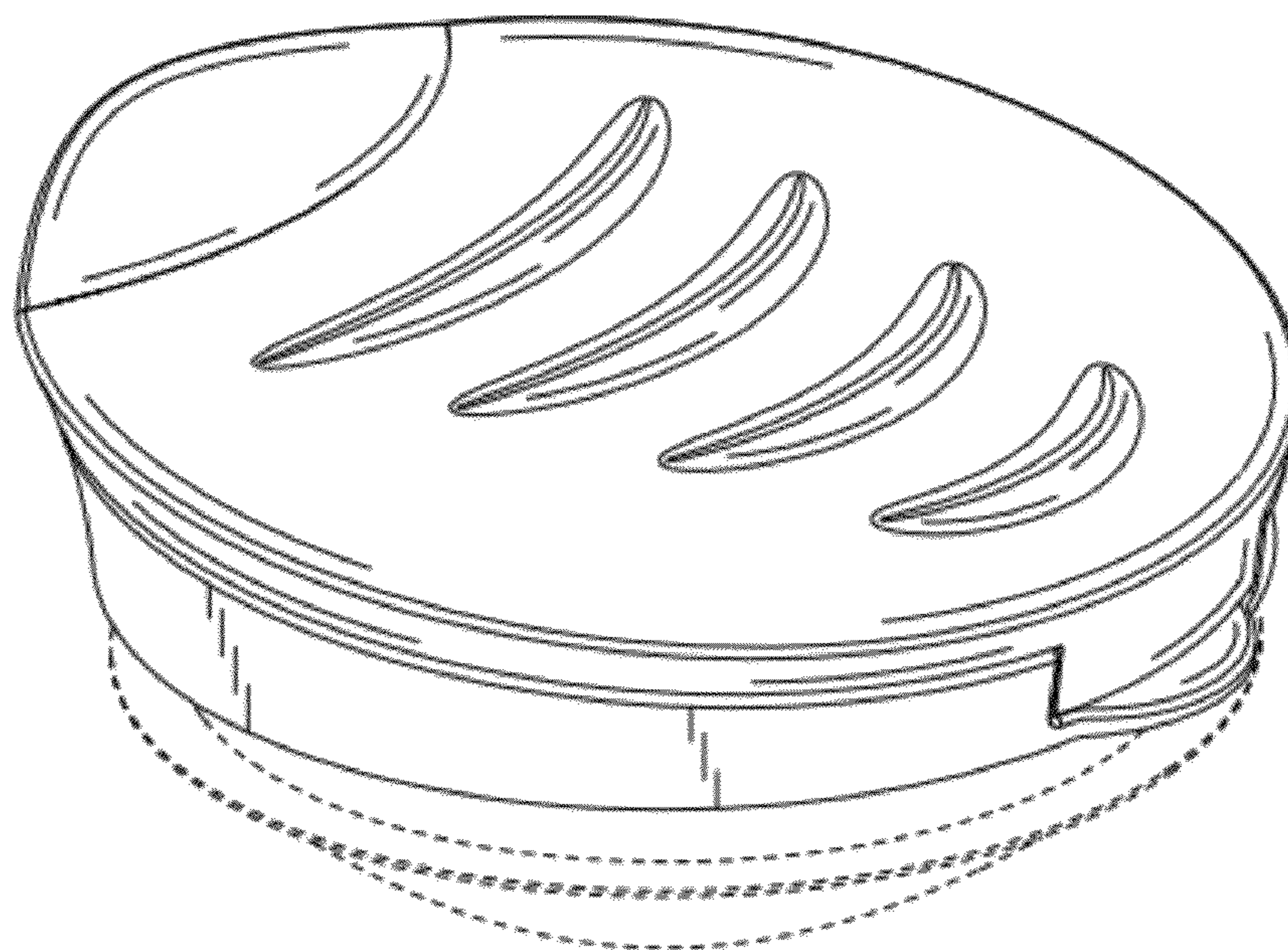


Fig. 3

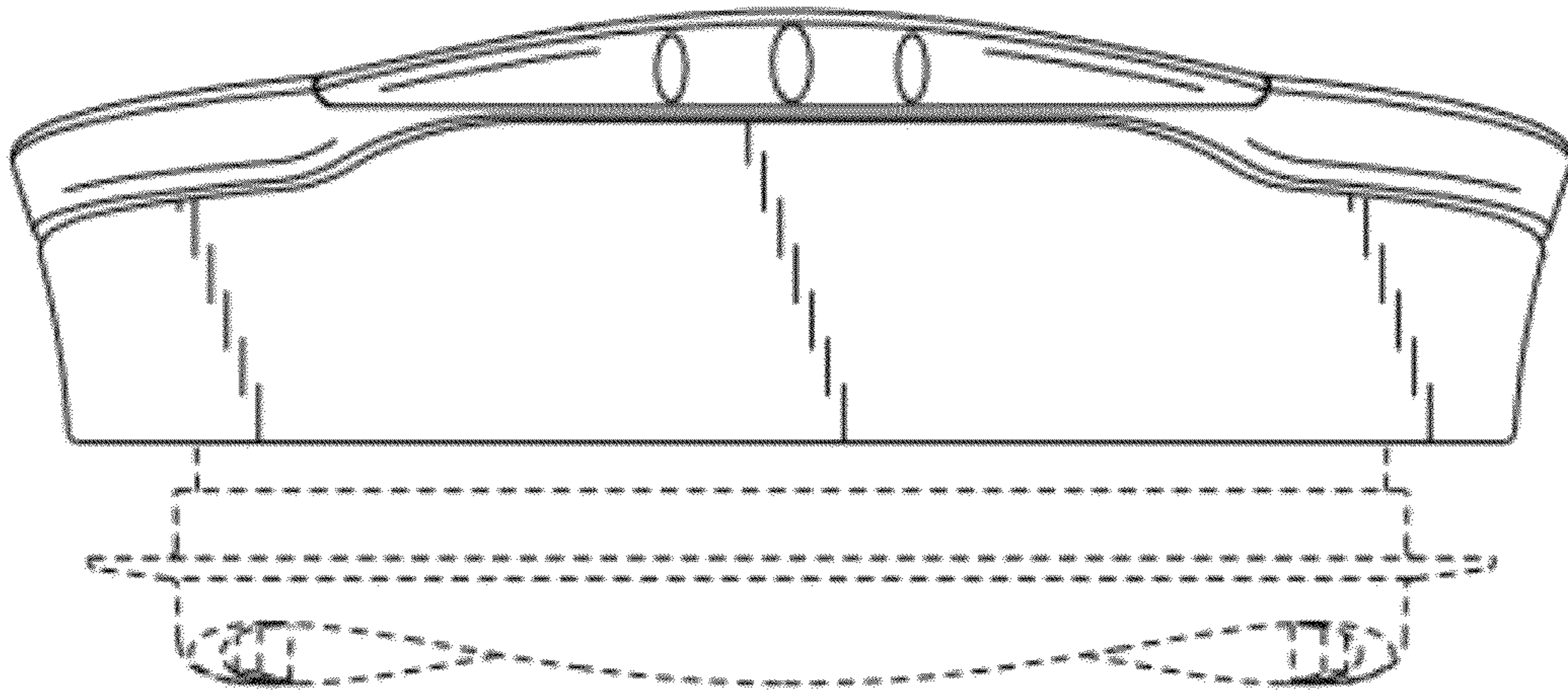


Fig. 4

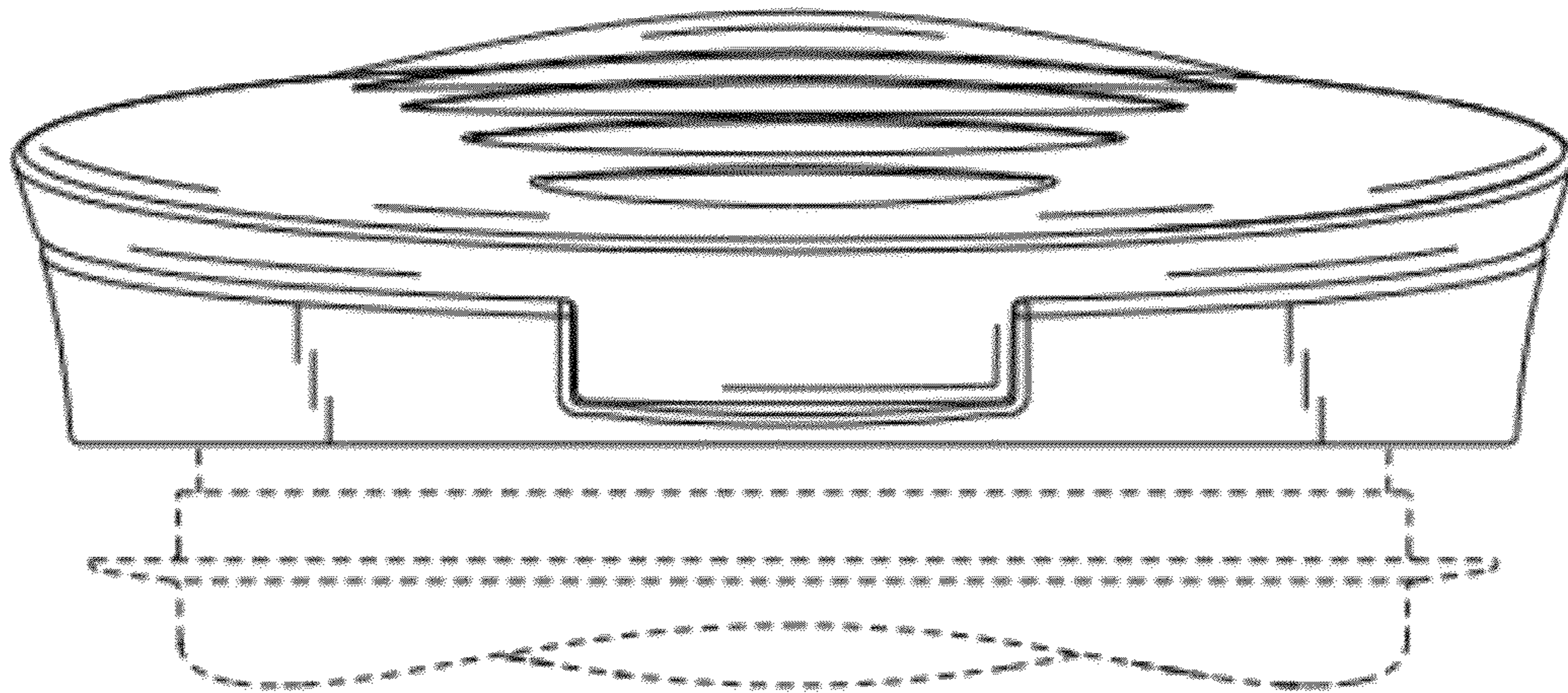


Fig. 5

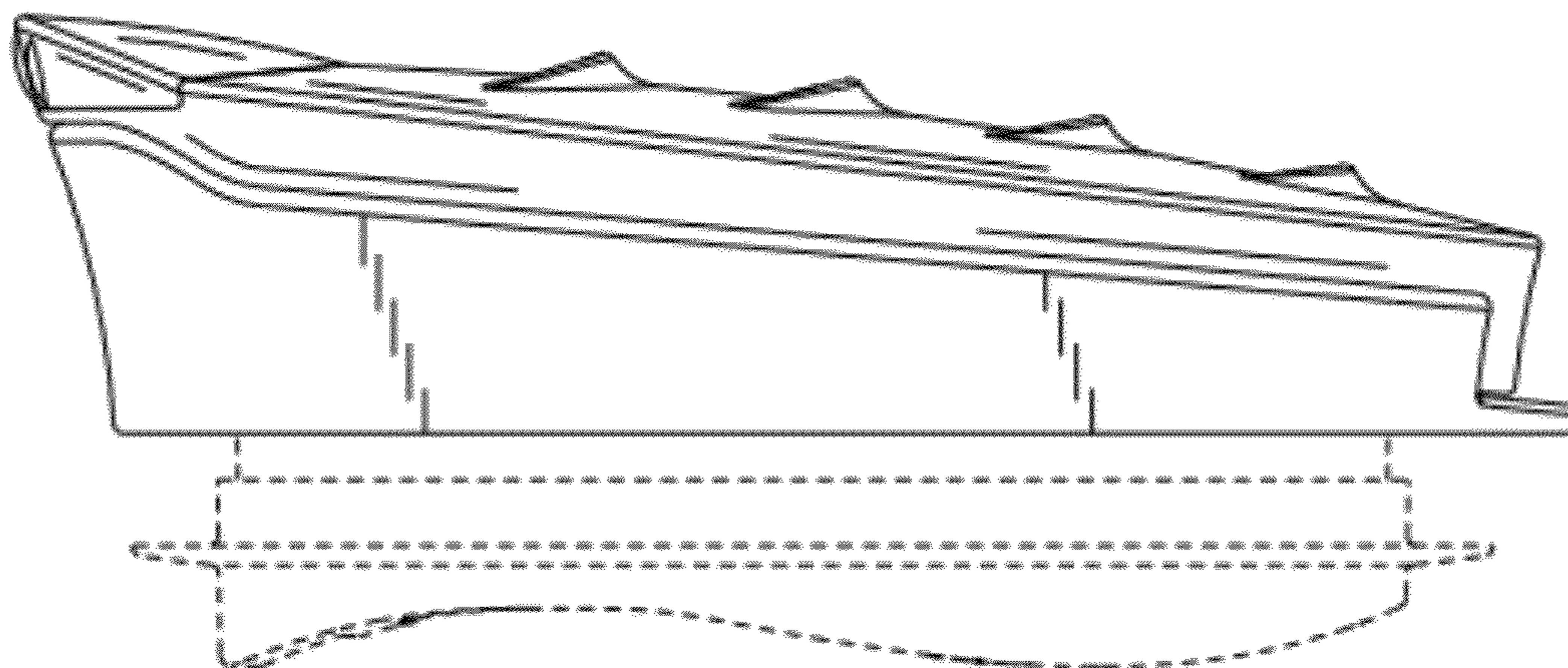


Fig. 6

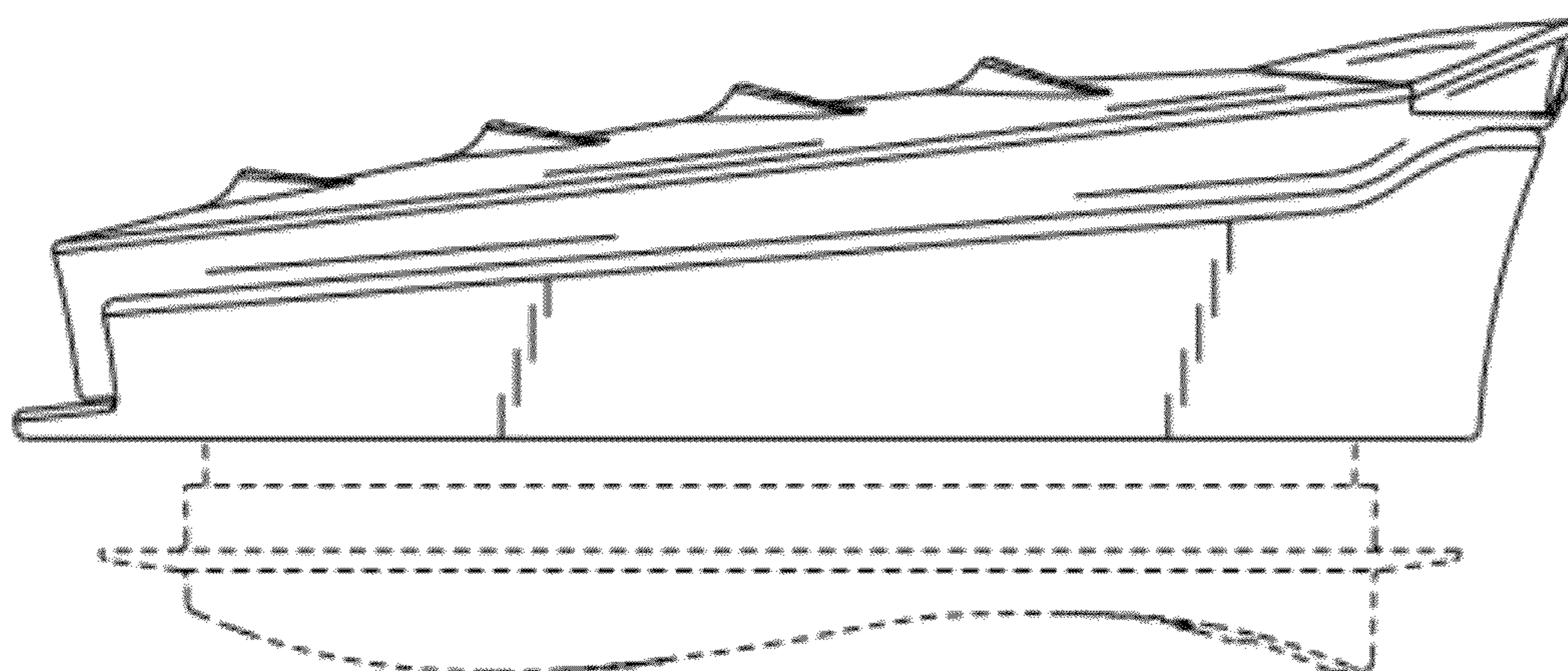


Fig. 7

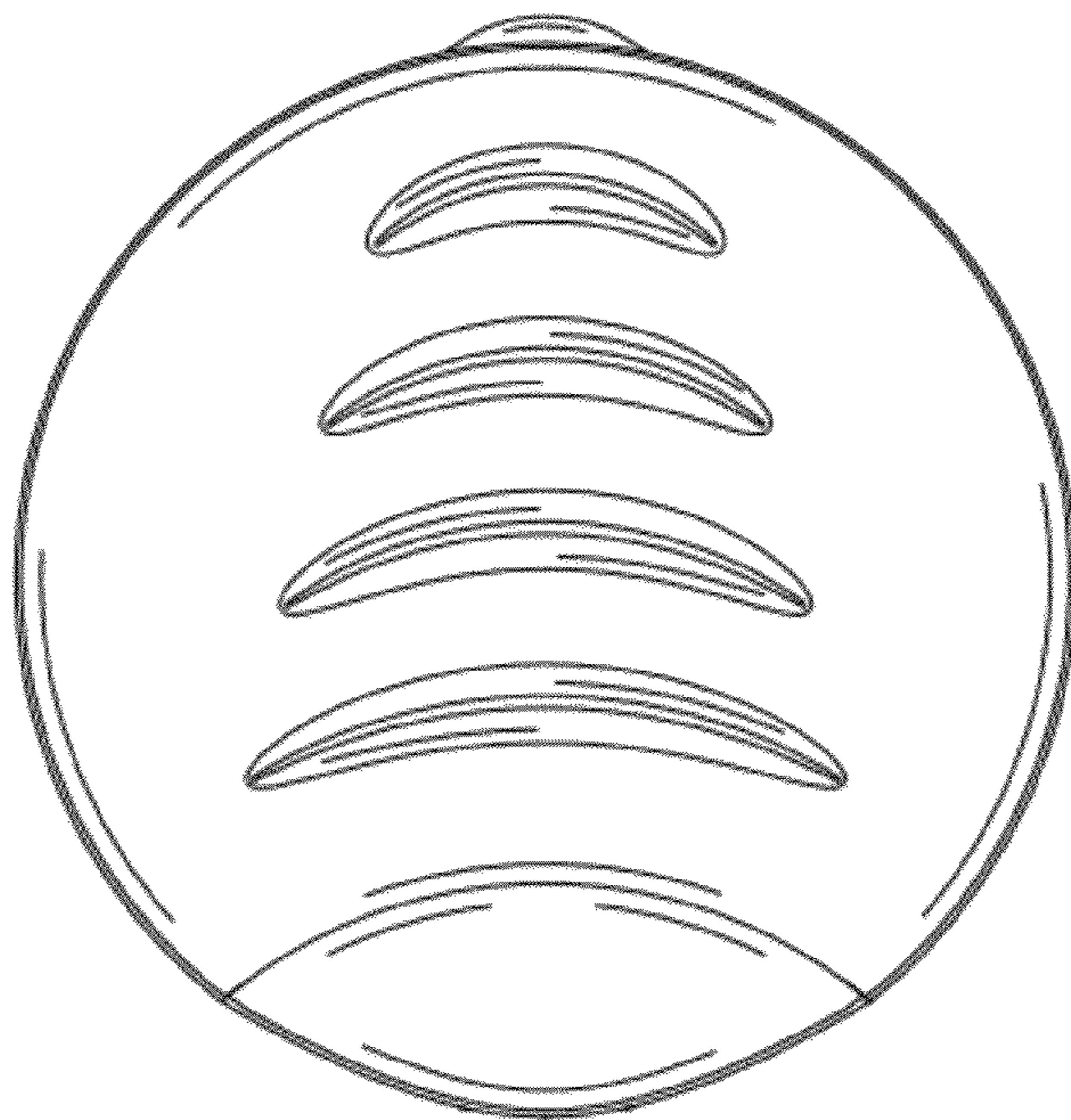


Fig. 8

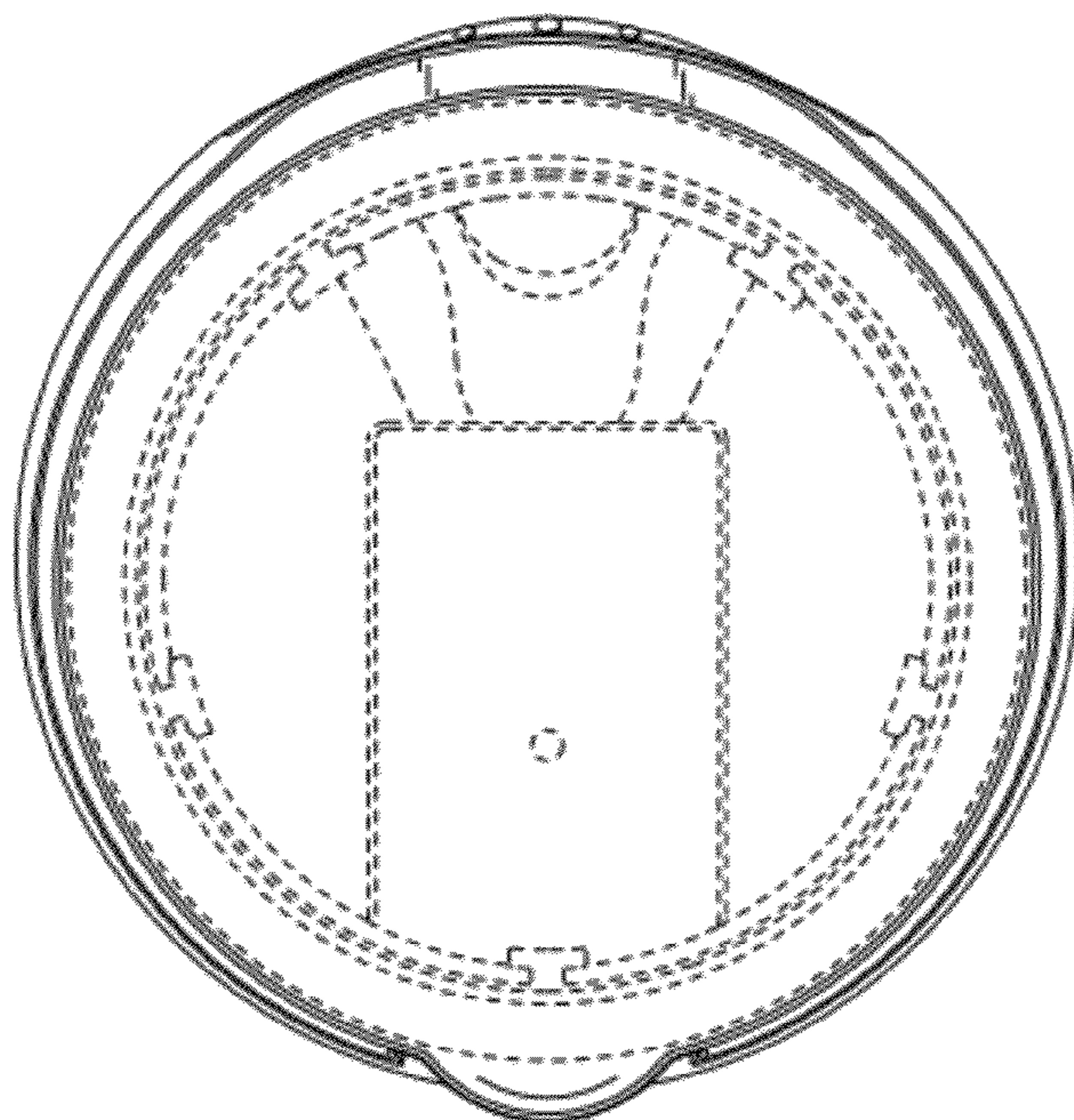


Fig. 9