



US00D669304S

(12) **United States Design Patent**
Bock et al.

(10) **Patent No.:** **US D669,304 S**
(45) **Date of Patent:** **** Oct. 23, 2012**

(54) **BLENDER**

(75) Inventors: **Brian Bock**, Midlothian, VA (US);
Mark C. Steiner, Midlothian, VA (US)

(73) Assignee: **Hamilton Beach Brands, Inc.**, Glen
Allen, VA (US)

(**) Term: **14 Years**

(21) Appl. No.: **29/414,824**

(22) Filed: **Mar. 5, 2012**

(51) **LOC (9) Cl.** **31-00**

(52) **U.S. Cl.** **D7/378; D7/376; D7/384**

(58) **Field of Classification Search** D7/301-313,
D7/316-319, 356-357, 368, 372-386, 391-398,
D7/412-415, 515, 665, 679, 693; 99/326,
99/348, 492, 508-512; 241/30-37.5, 101.01-101.2,
241/166-169.1, 172, 285.1-285.3, 291, 292.1;
366/64-67, 98, 129, 142-144, 197-211,
366/241-254, 262, 279-292, 325.8, 325.92,
366/341-347; 416/75-77, 70 R, 163
See application file for complete search history.

(56) **References Cited**

U.S. PATENT DOCUMENTS

D176,257 S *	12/1955	Hill et al.	D7/386
D187,684 S	4/1960	Hauser		
D199,888 S *	12/1964	Dewenter	D7/378
D394,986 S *	6/1998	Lallemand	D7/378
D412,809 S	8/1999	Toro et al.		
D455,324 S *	4/2002	Wright	D7/679

D479,666 S *	9/2003	Barker	D7/378
D502,062 S *	2/2005	Kaposi	D7/693
D510,238 S *	10/2005	Yen	D7/665
D525,482 S *	7/2006	Kassenaar	D7/378
D533,020 S *	12/2006	Kassenaar et al.	D7/378
D534,394 S *	1/2007	Zhiwen et al.	D7/378
D543,072 S *	5/2007	Ting et al.	D7/378
D556,505 S *	12/2007	Wu	D7/378
D578,340 S	10/2008	Picozza et al.		
D642,858 S	8/2011	Lazzer		
D642,859 S	8/2011	Cozzolino et al.		
2002/0012288 A1 *	1/2002	Masip et al.	366/205

* cited by examiner

Primary Examiner — Ricky Pham

(74) *Attorney, Agent, or Firm* — Alexander D. Raring

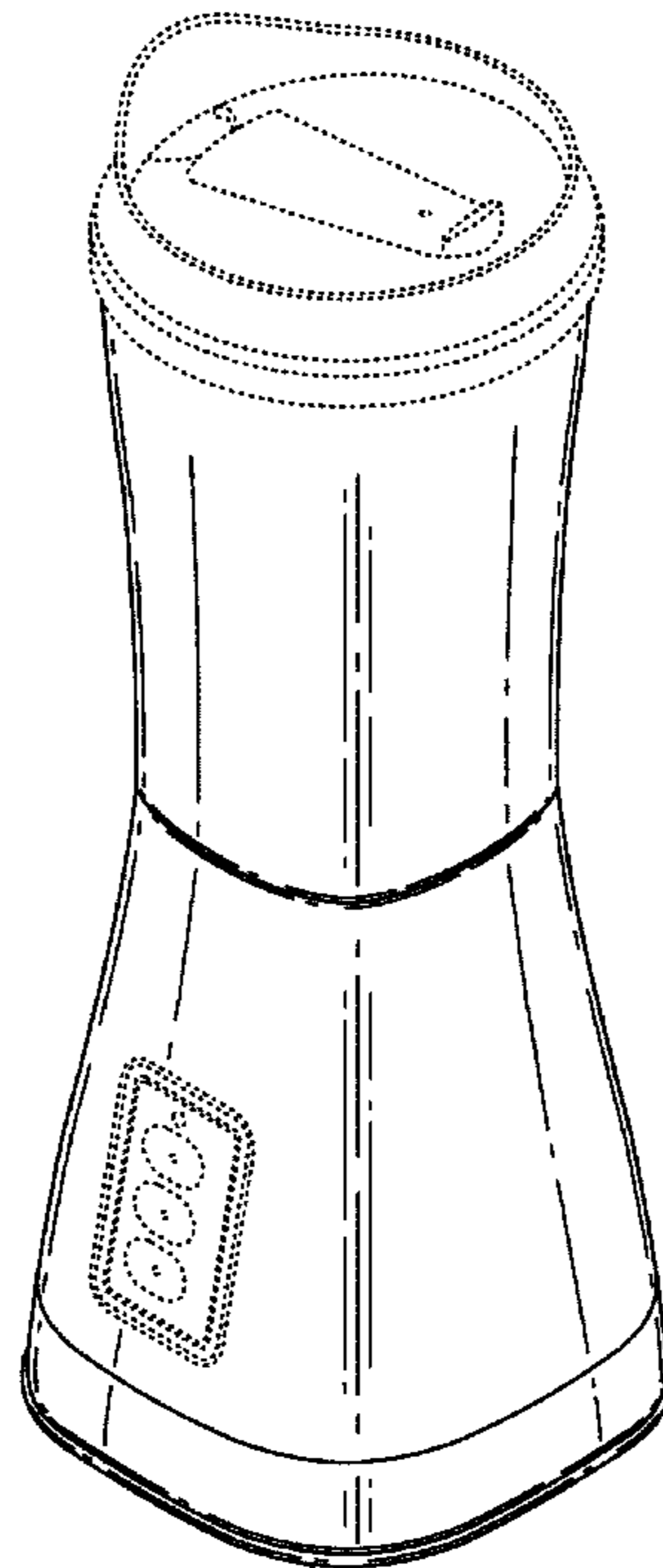
(57) **CLAIM**

The ornamental design for a blender, as shown and described.

DESCRIPTION

FIG. 1 is a perspective view as seen from the top, front and right side of a blender showing the new design;
FIG. 2 is a front view thereof;
FIG. 3 is a rear view thereof;
FIG. 4 is a left side view thereof;
FIG. 5 is a right side view thereof;
FIG. 6 is a top view thereof; and,
FIG. 7 is a bottom view thereof.
The broken lines in the drawings are included for illustrative purposes only and form no part of the claimed design.

1 Claim, 7 Drawing Sheets



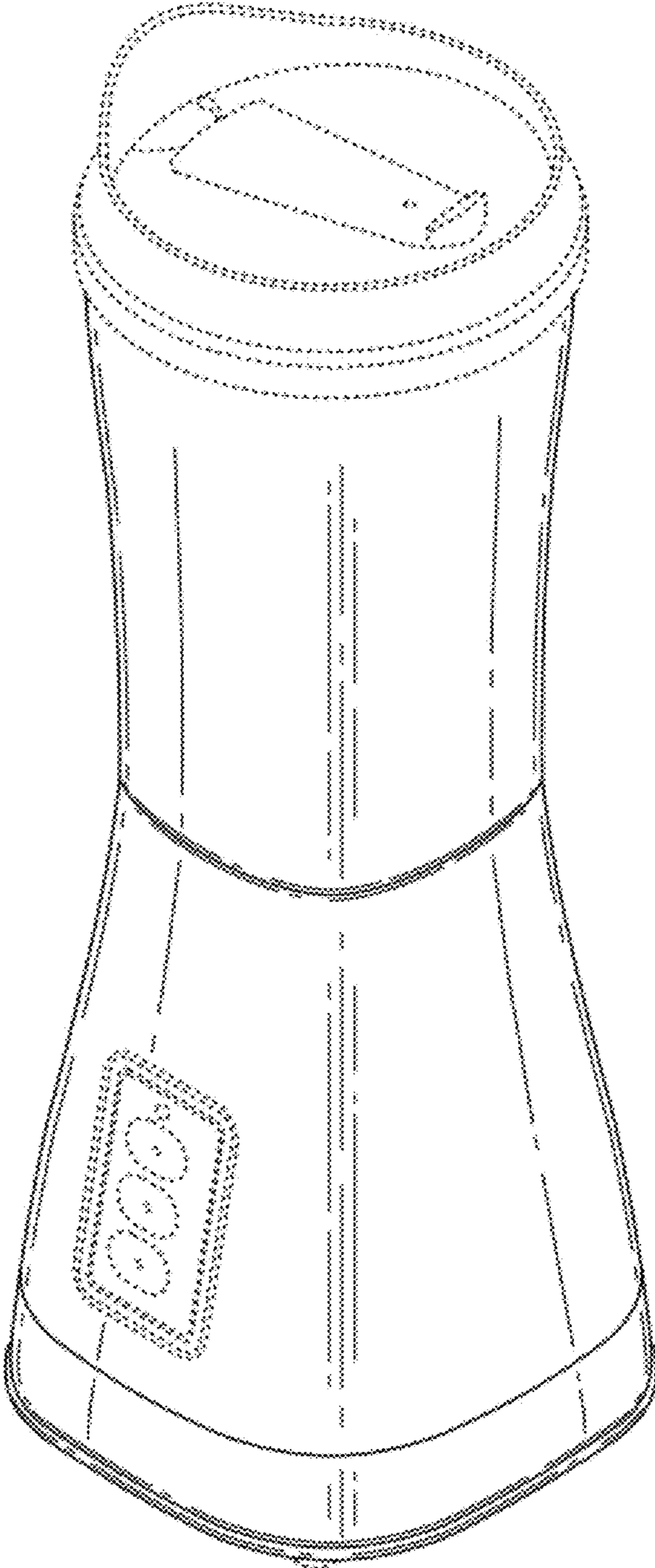


FIG. 1

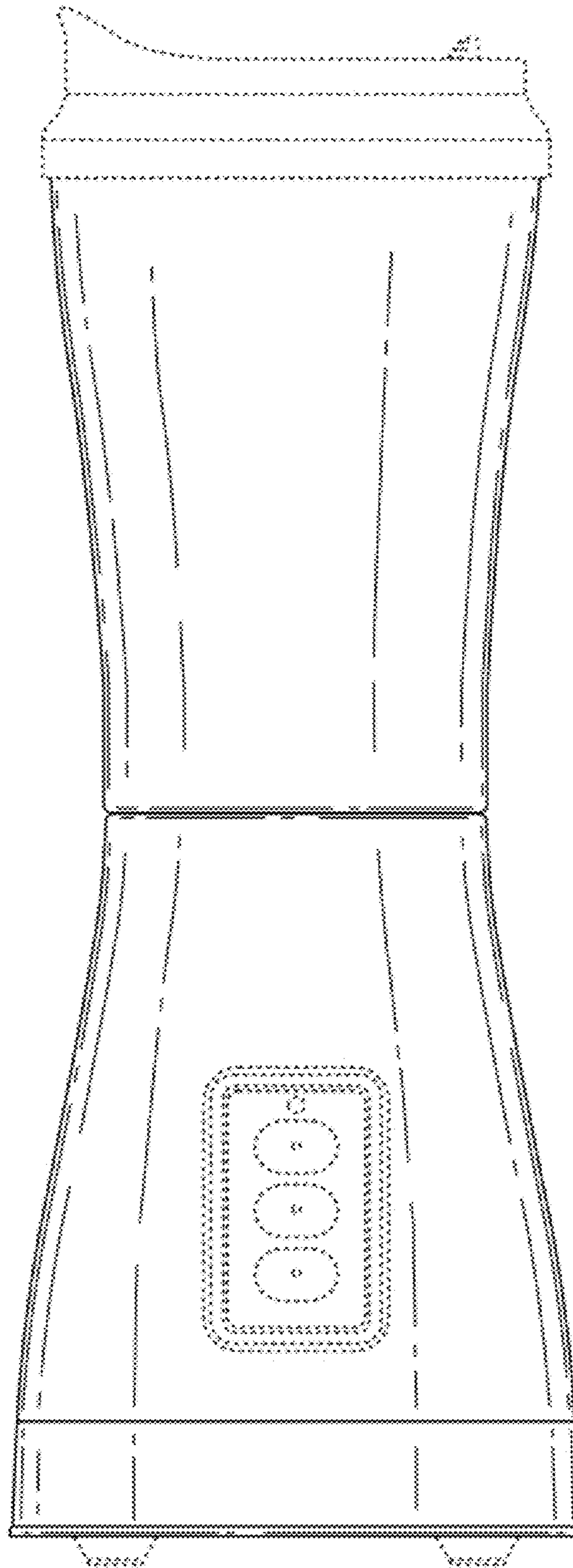


FIG. 2

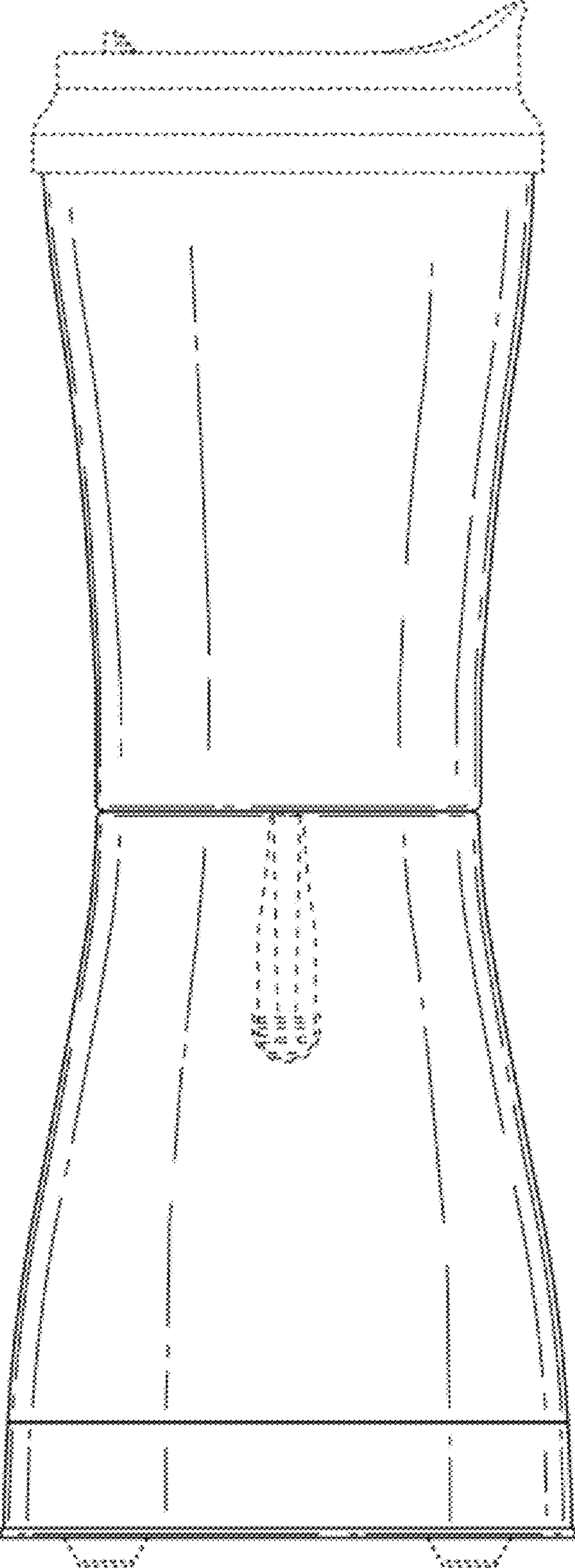


FIG. 3

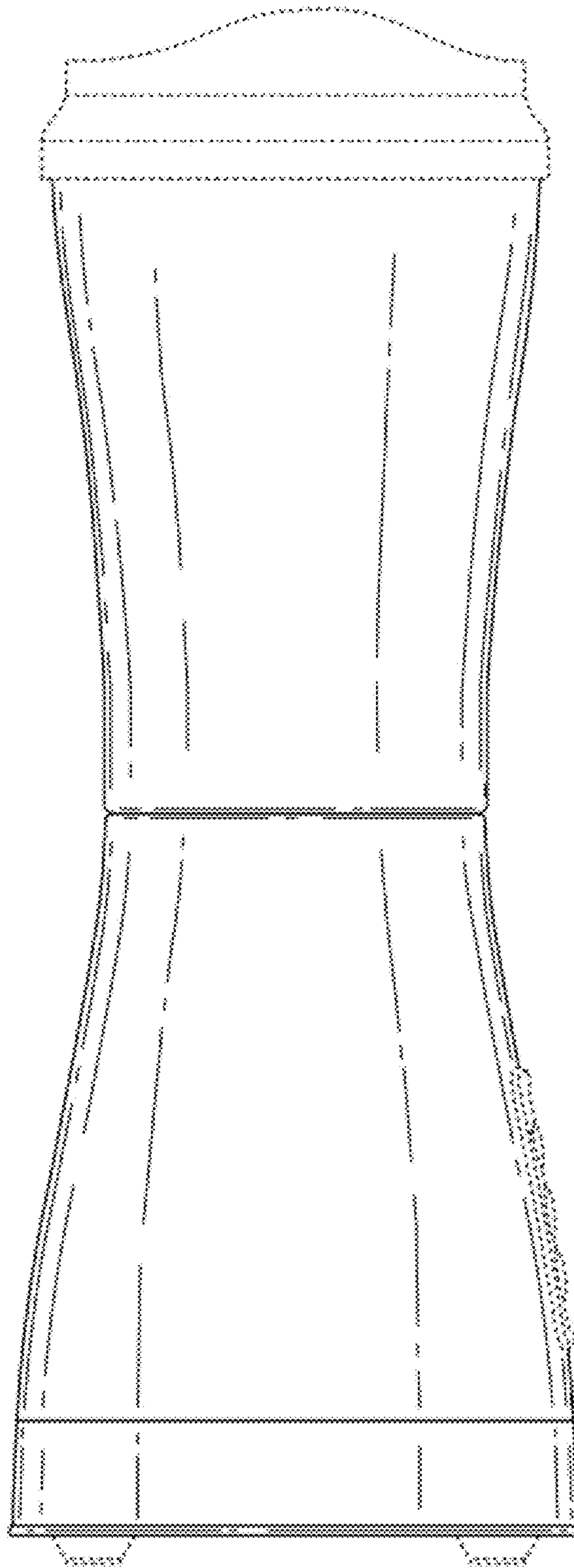


FIG. 4

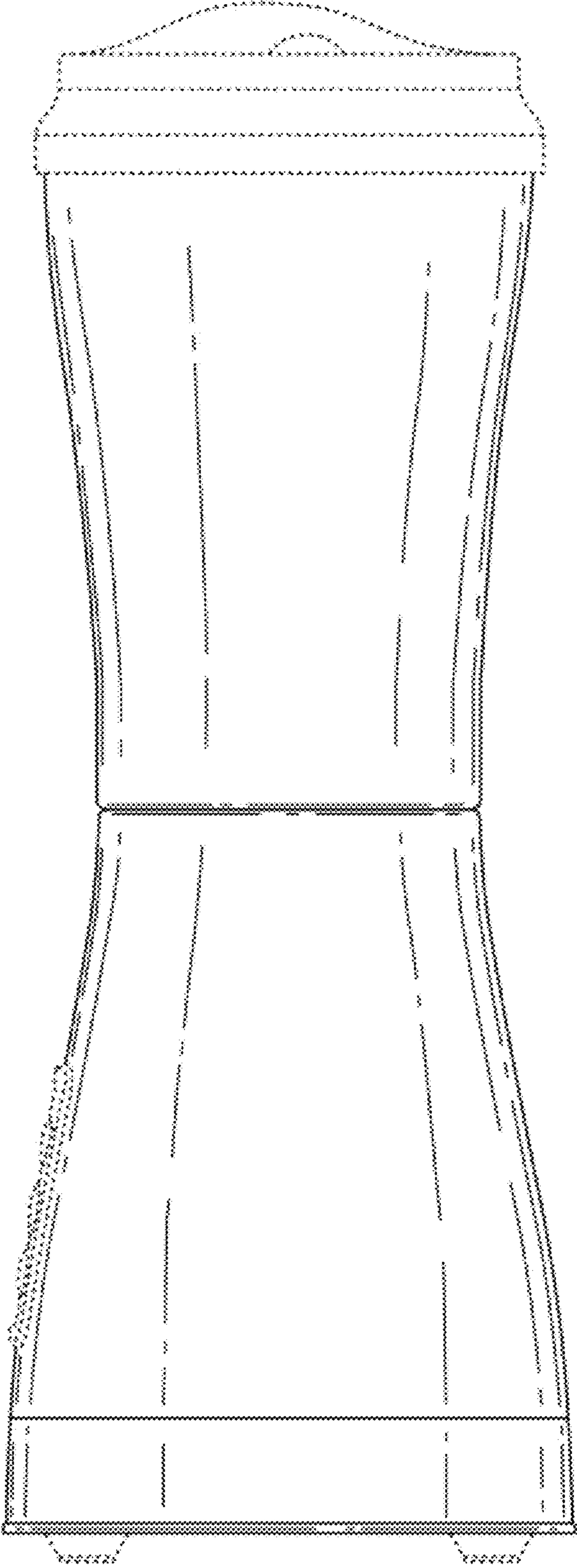


FIG. 5

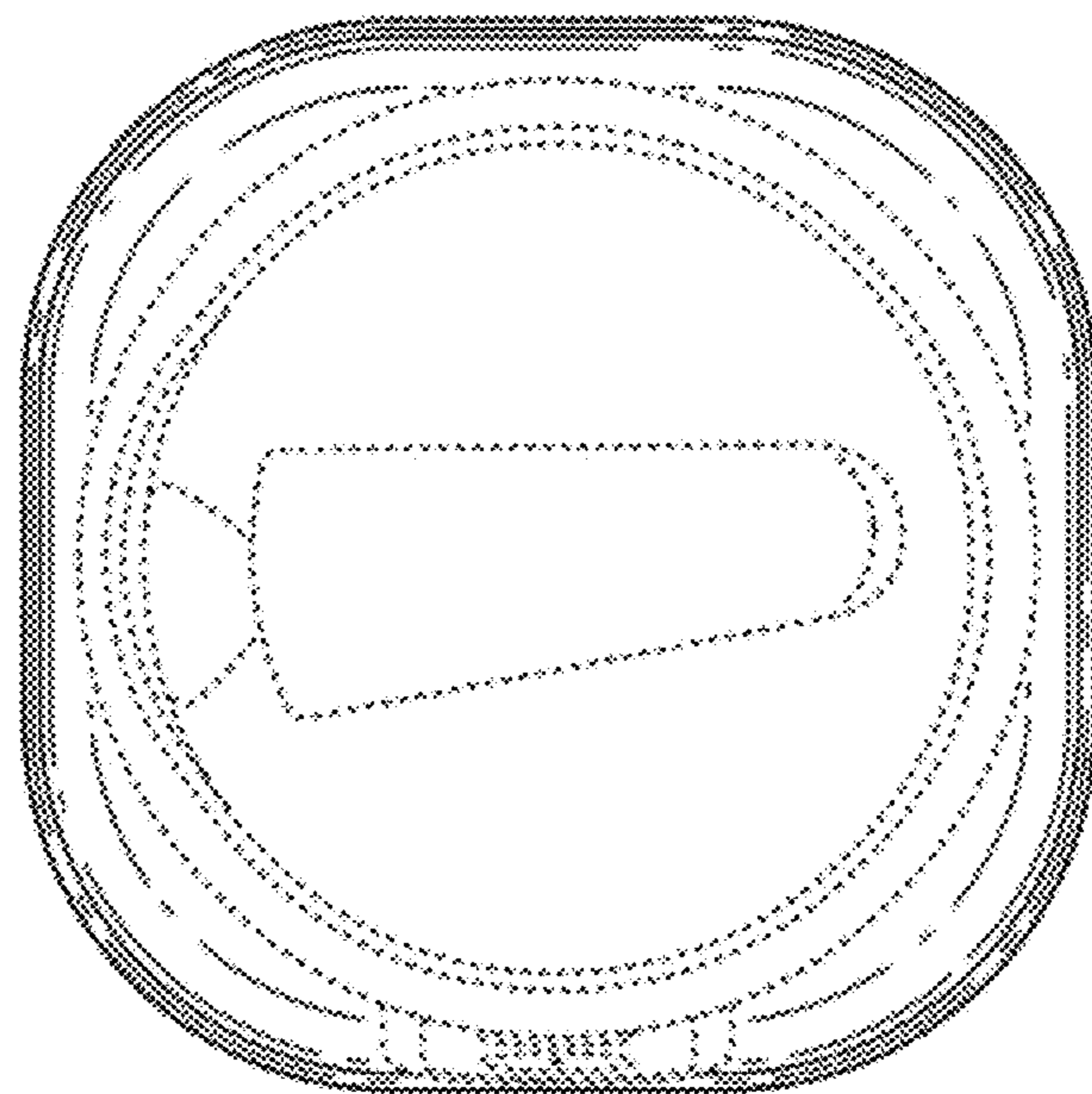


FIG. 6

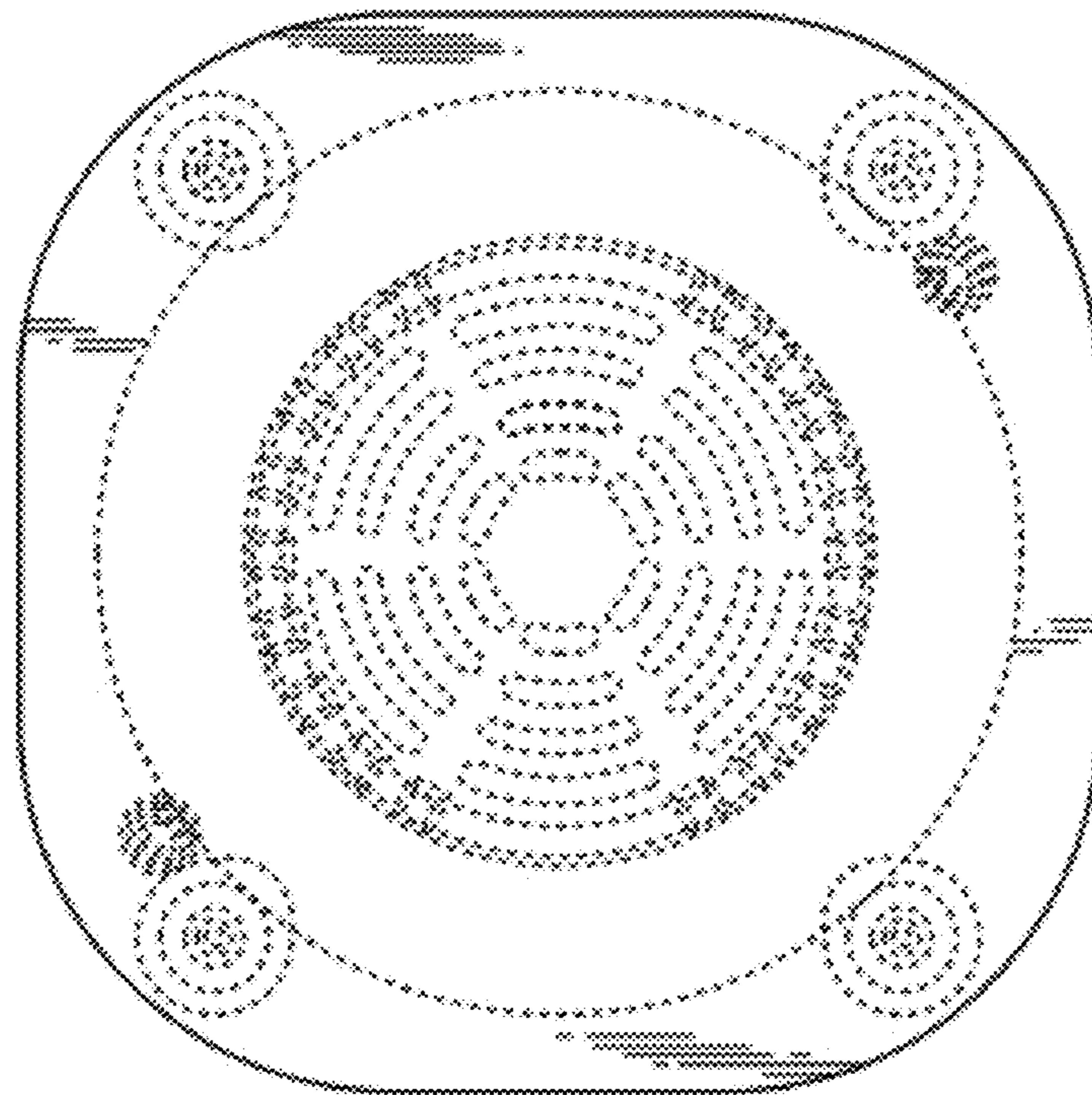


FIG. 7