



US00D669296S

(12) **United States Design Patent**
Lane et al.

(10) **Patent No.:** **US D669,296 S**

(45) **Date of Patent:** **** Oct. 23, 2012**

(54) **JUG**

(75) Inventors: **Gary Lane**, London (GB); **Alan Green**, Herts (GB); **Stephen Aldridge**, West Sussex (GB)

(73) Assignee: **Green Lane Products Limited**, Hertfordshire (GB)

(**) Term: **14 Years**

(21) Appl. No.: **29/388,962**

(22) Filed: **Apr. 5, 2011**

(51) **LOC (9) Cl.** **07-01**

(52) **U.S. Cl.** **D7/319; D7/317**

(58) **Field of Classification Search** D7/317-319, D7/600; 220/737, 592.16; 222/131; 215/12.1
See application file for complete search history.

(56) **References Cited**

U.S. PATENT DOCUMENTS

D270,602 S *	9/1983	Fritz	D7/319
D551,015 S *	9/2007	Huang	D7/318
D586,606 S *	2/2009	Ma et al.	D7/319

D615,341 S *	5/2010	Lochen	D7/317
7,742,689 B2 *	6/2010	Harrison et al.	392/314
D625,947 S *	10/2010	Olson et al.	D7/319
8,177,966 B2 *	5/2012	Wu	210/88
2002/0000763 A1 *	1/2002	Jones	310/337
2006/0066698 A1 *	3/2006	Takatsuka	347/93

* cited by examiner

Primary Examiner — Marianne Pandozzi

(74) *Attorney, Agent, or Firm* — Lowe Hauptman Berner & Ham LLP

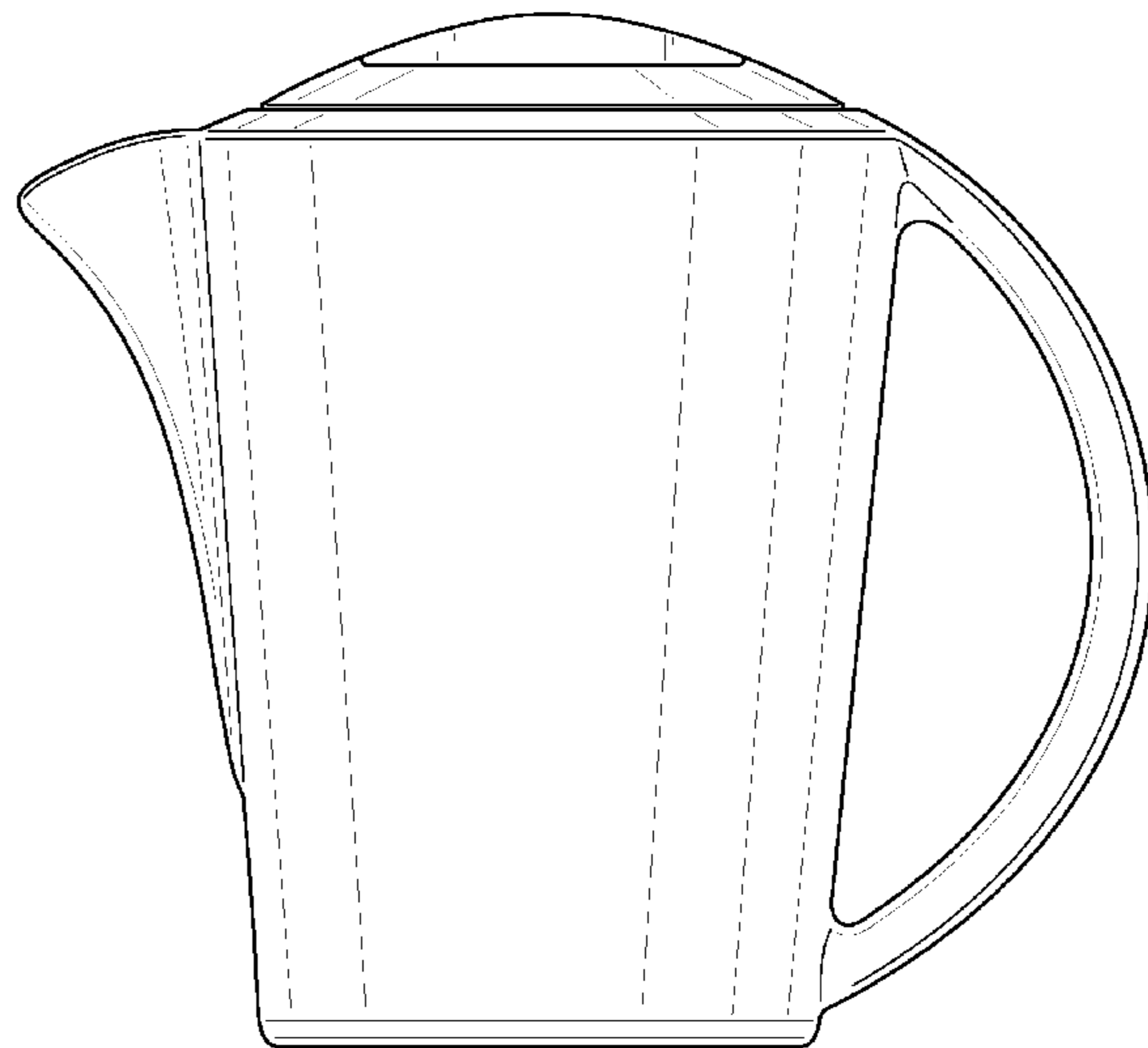
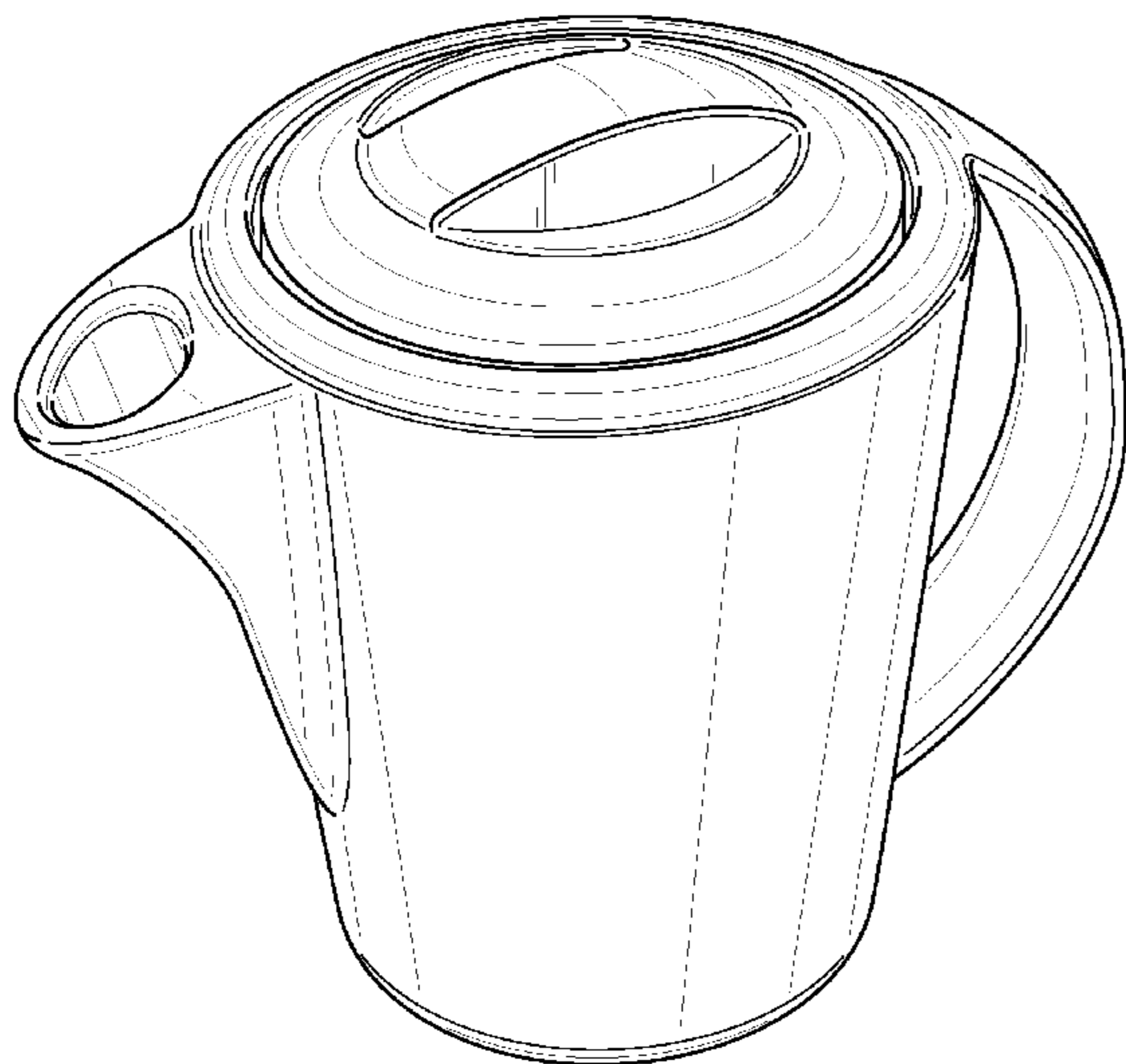
(57) **CLAIM**

The ornamental design for a jug, as shown and described.

DESCRIPTION

FIG. 1 is a perspective view of the jug;
FIG. 2 is a front view of the jug;
FIG. 3 is a rear view of the jug;
FIG. 4 is a right side view of the jug;
FIG. 5 is a left side view of the jug; and,
FIG. 6 is a bottom plan view of the jug.

1 Claim, 6 Drawing Sheets



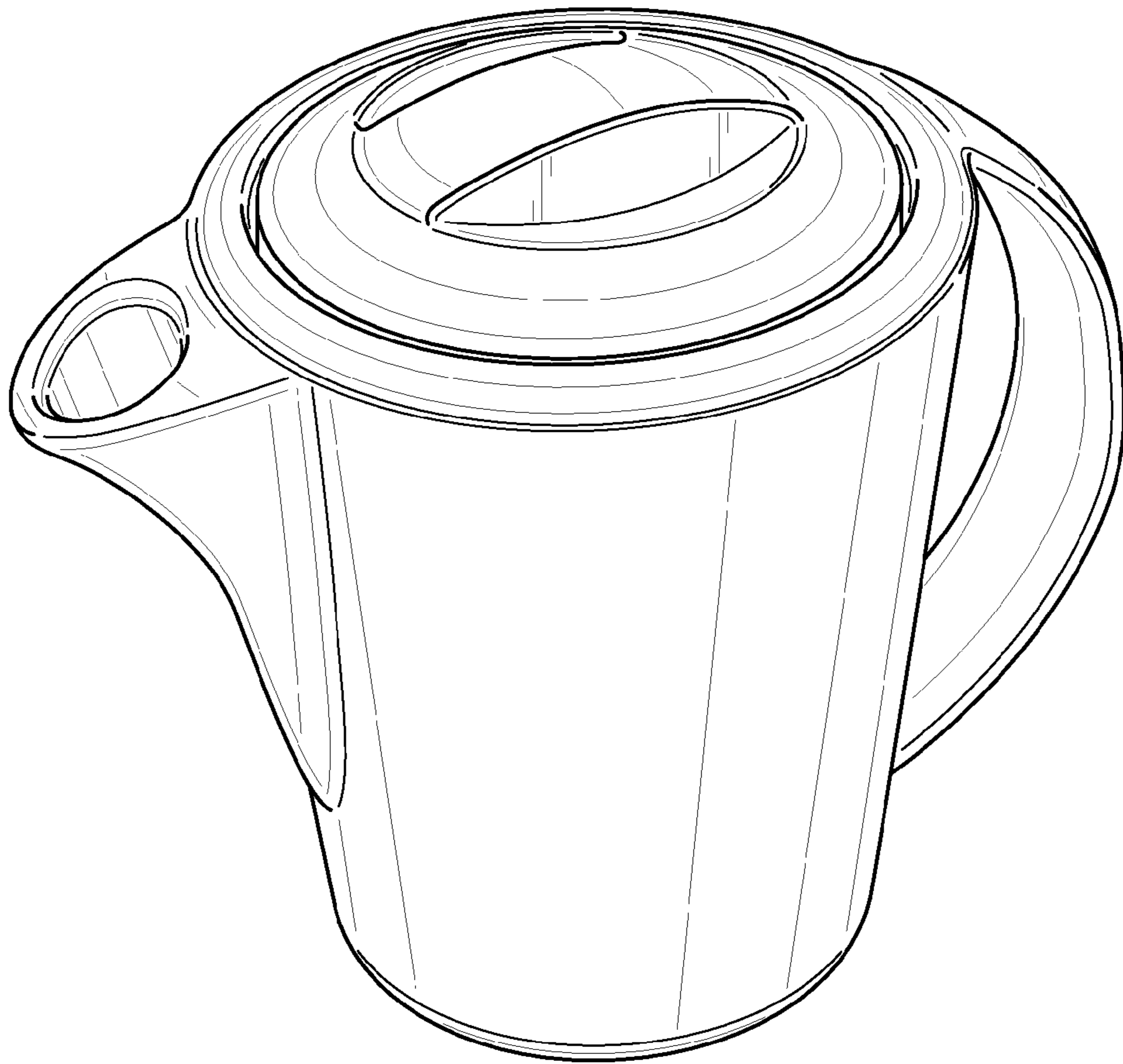


FIG. 1

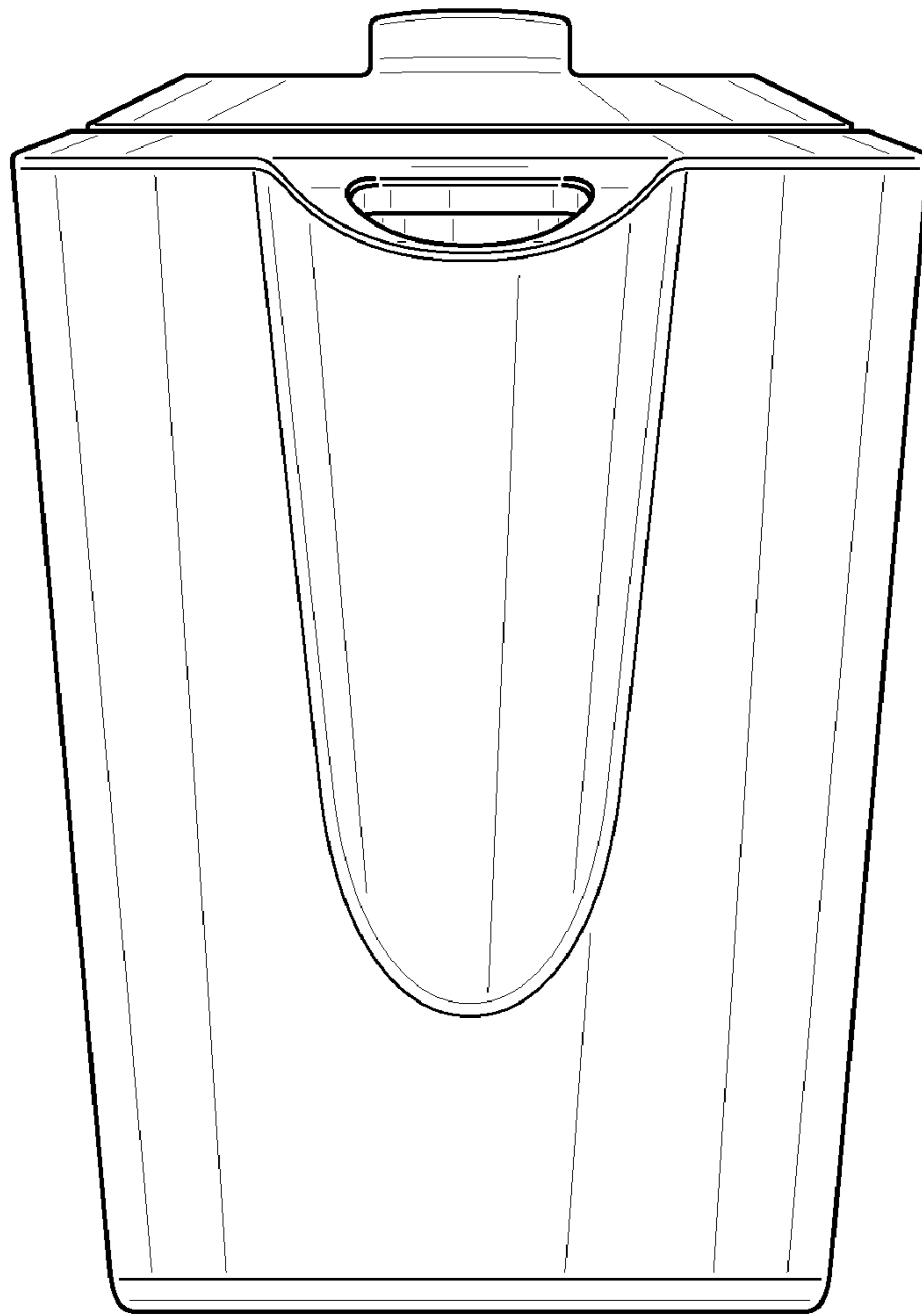


FIG. 2

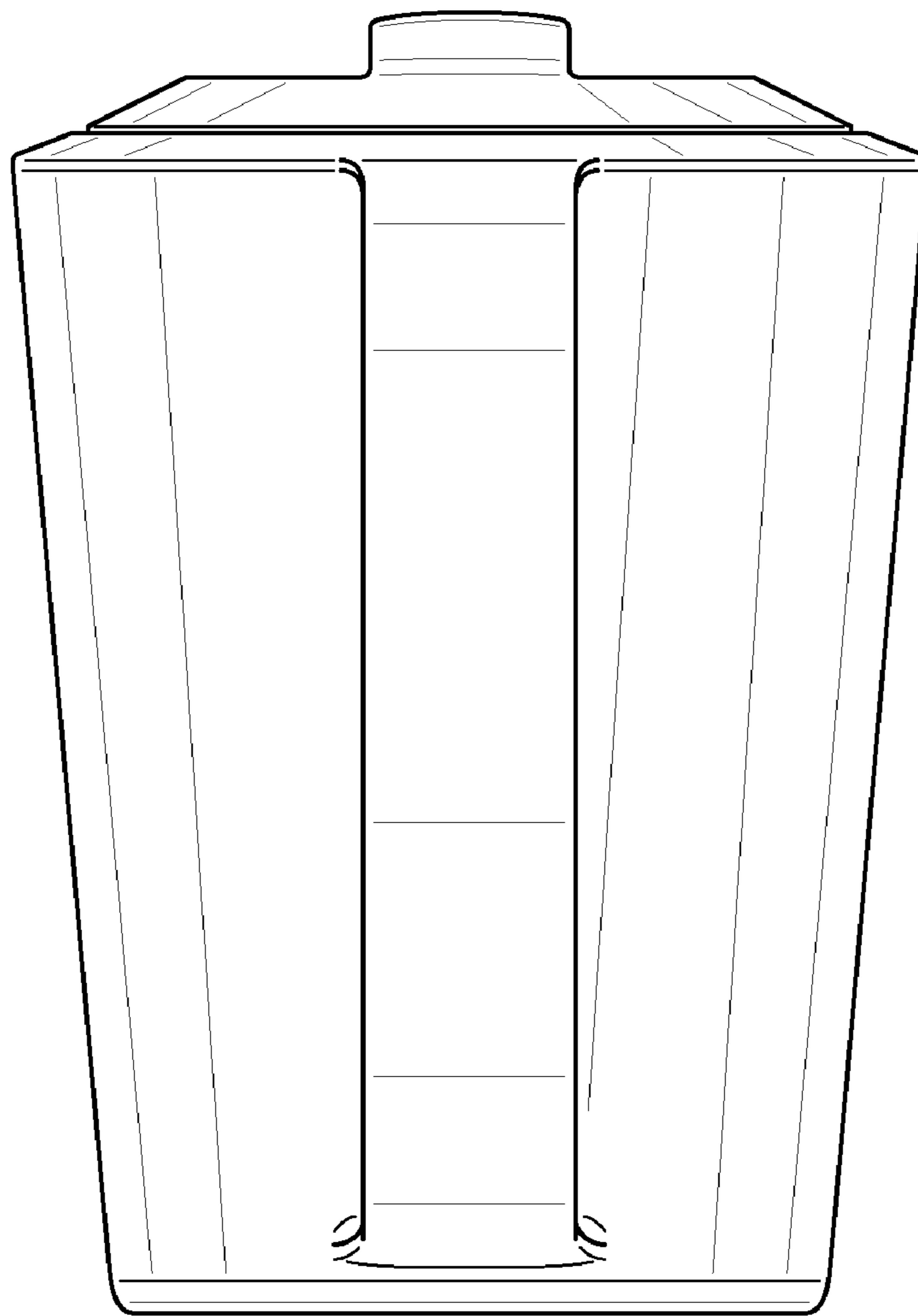


FIG. 3

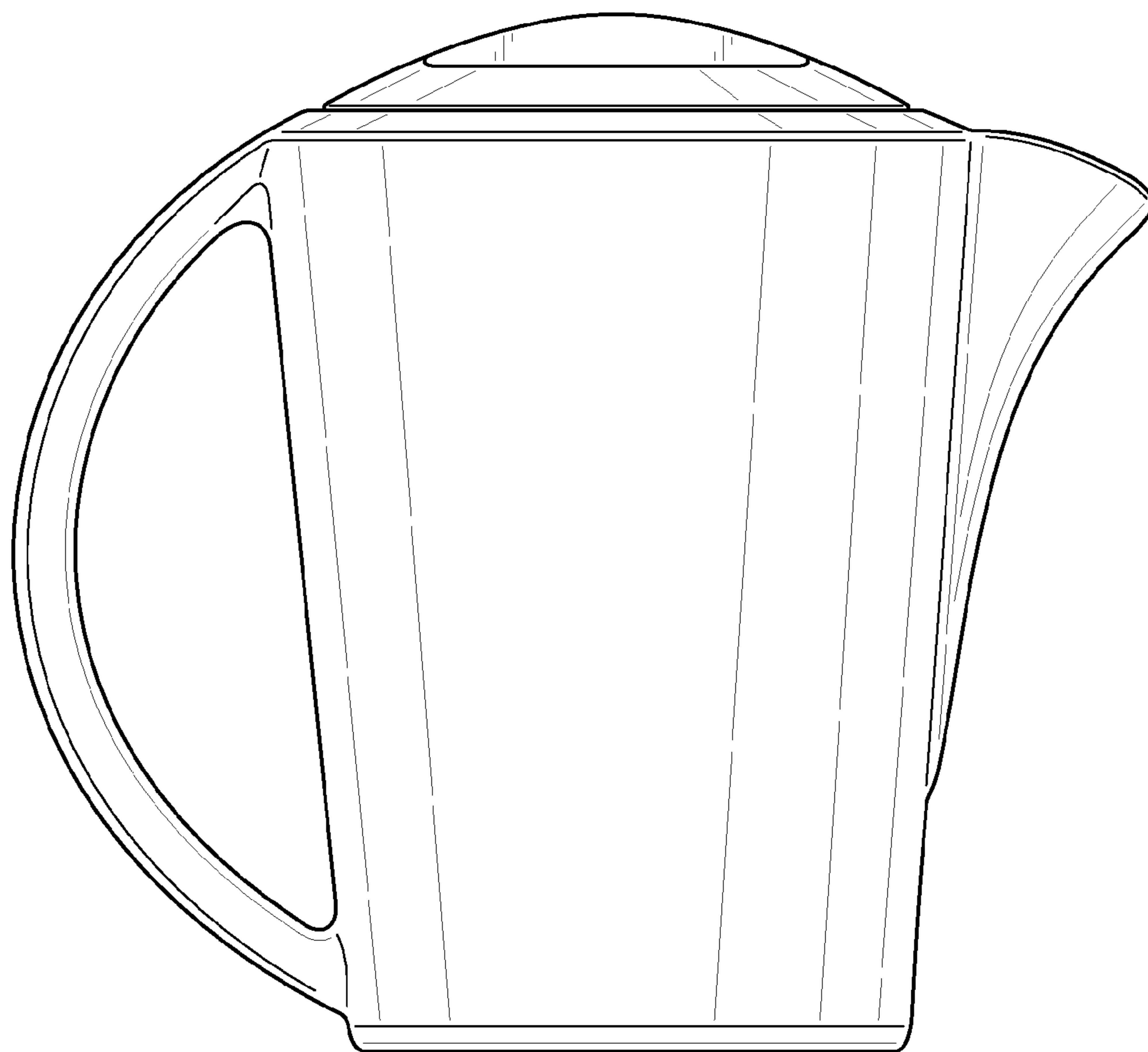


FIG. 4

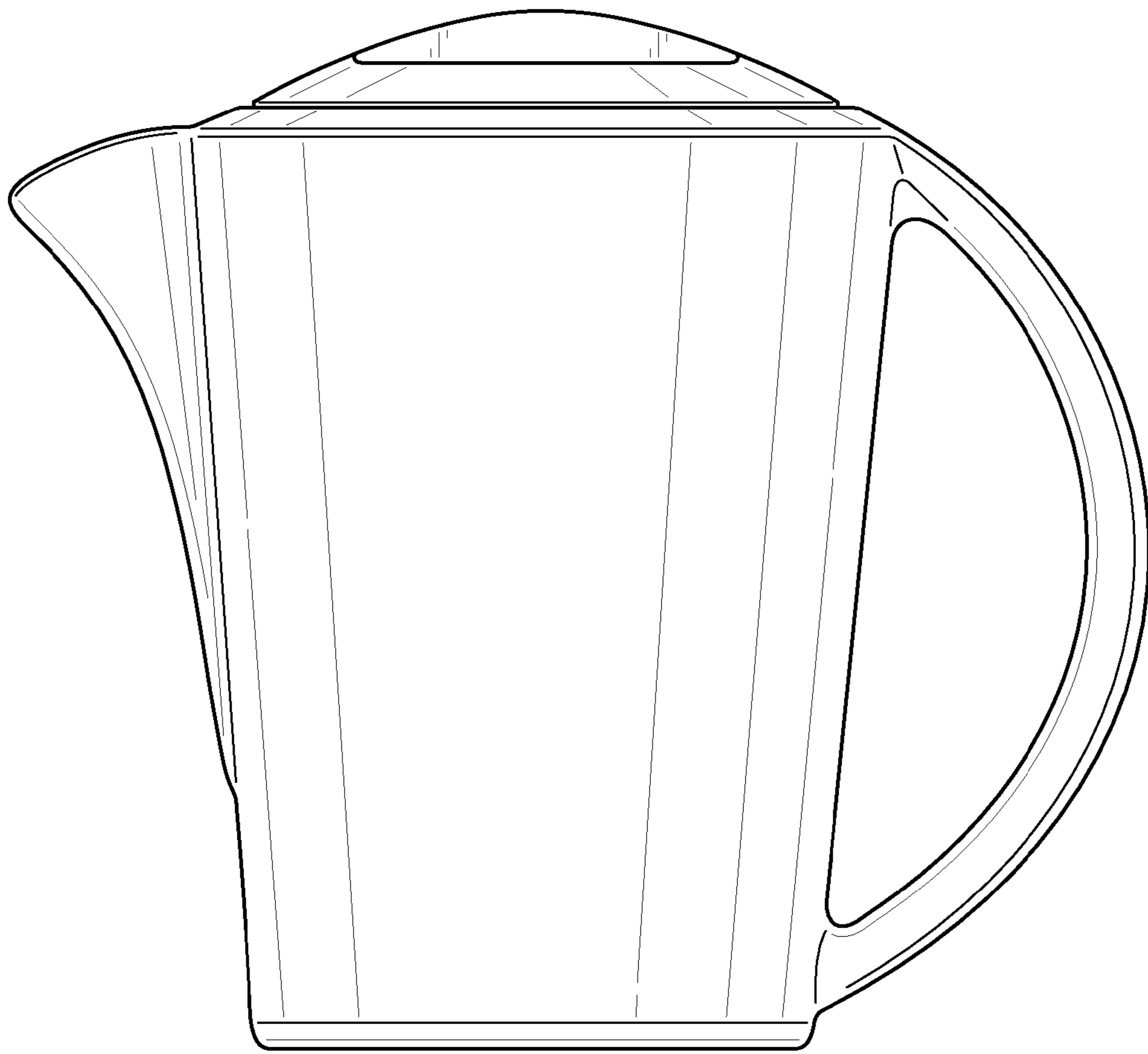


FIG. 5

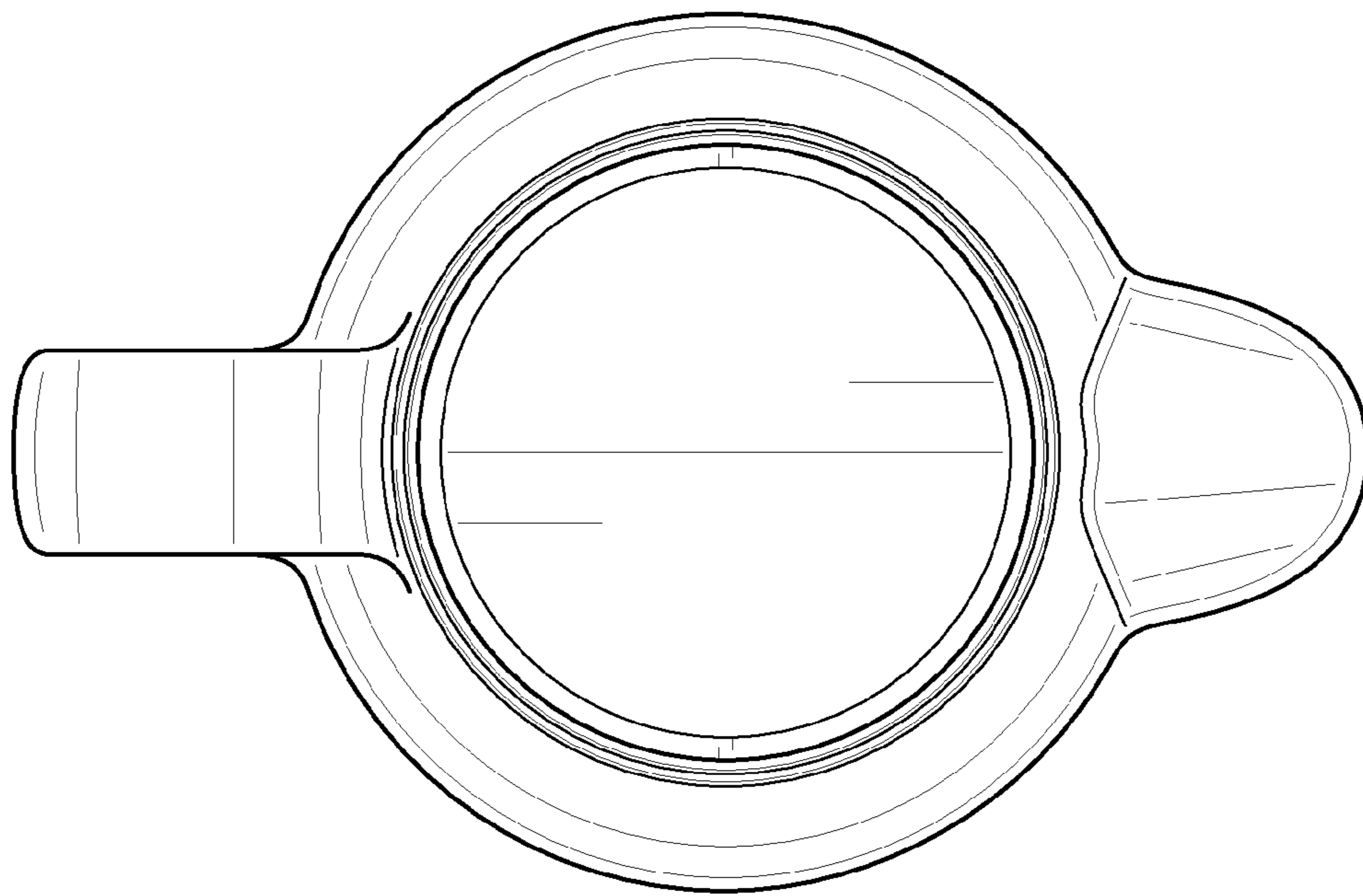


FIG. 6