



US00D669293S

(12) **United States Design Patent**
Doty

(10) **Patent No.:** **US D669,293 S**

(45) **Date of Patent:** **** Oct. 23, 2012**

(54) **BEER TAP**

(76) Inventor: **Douglas H. Doty**, Inverness, FL (US)

(**) Term: **14 Years**

(21) Appl. No.: **29/399,924**

(22) Filed: **Aug. 19, 2011**

(51) **LOC (9) Cl.** **07-01**

(52) **U.S. Cl.** **D7/301; D7/398**

(58) **Field of Classification Search** D7/301,
D7/398, 397, 300; 222/185.1, 78; 123/54.4
See application file for complete search history.

(56) **References Cited**

U.S. PATENT DOCUMENTS

2,089,269	A *	8/1937	Kirchhan	222/400.7
D273,435	S *	4/1984	Lipschutz	D2/872
D471,053	S *	3/2003	Conti	D7/301
D475,241	S *	6/2003	Mattiuzzo	D7/398
D490,264	S *	5/2004	Keossian	D7/302
D492,877	S *	7/2004	Weseman	D7/301
7,134,407	B1 *	11/2006	Nelson	123/54.4
D591,099	S *	4/2009	Bruce	D7/301
7,731,061	B1 *	6/2010	Woodhouse et al.	222/175

* cited by examiner

Primary Examiner — Marianne Pandozzi

(74) *Attorney, Agent, or Firm* — Law Office of Steve R. Olsen, PLLC; Steven R. Olsen

(57) **CLAIM**

The ornamental design for a beer tap, as shown and described.

DESCRIPTION

FIG. 1 is a front, top, left side perspective view of a beer tap showing a first embodiment of my new design;

FIG. 2 is a front elevation view of the first embodiment of my new design;

FIG. 3 is a rear elevation view of the first embodiment and a second embodiment of my new design;

FIG. 4 is a bottom view of the first embodiment of my new design;

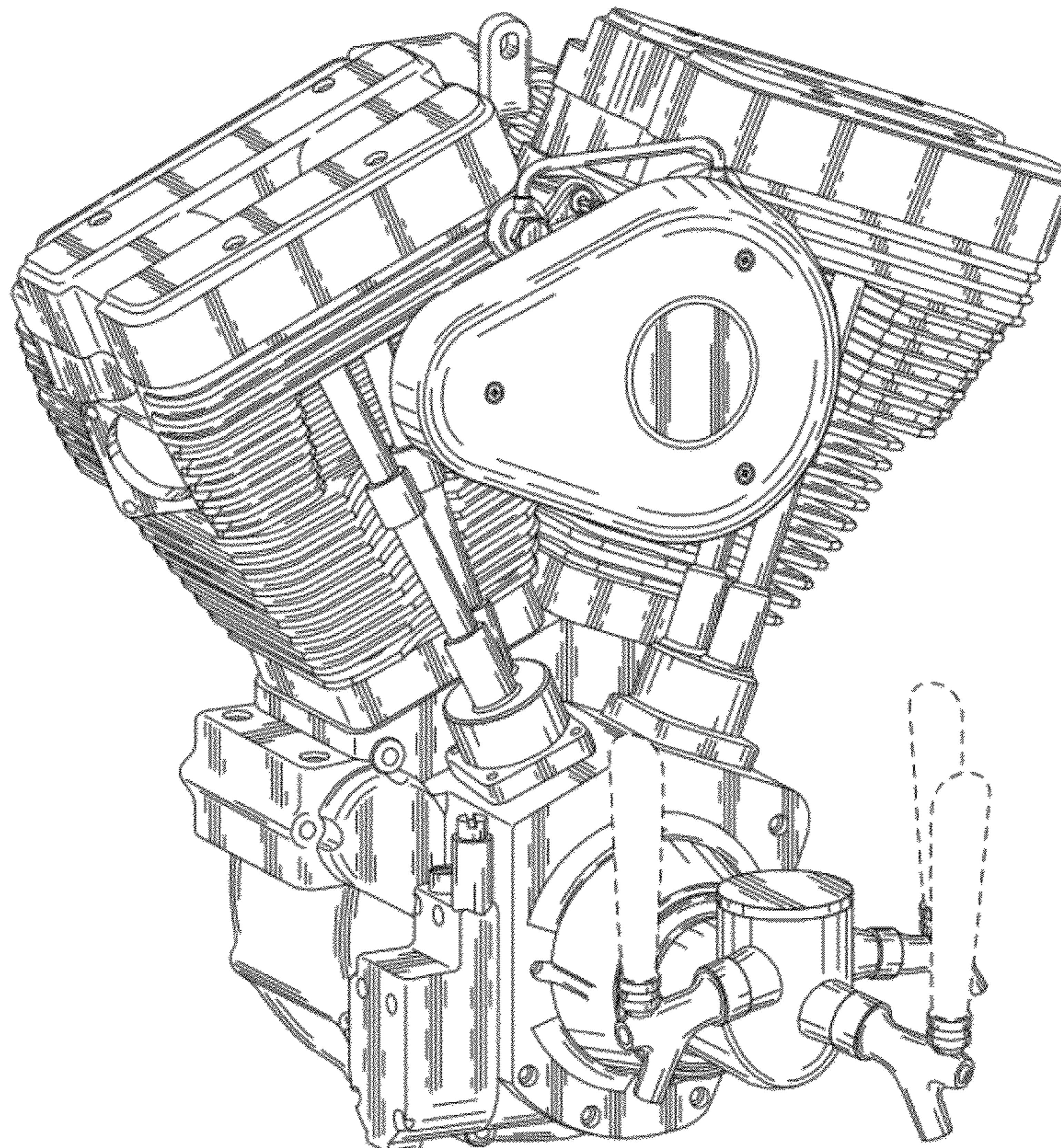
FIG. 5 is a front, top, left side perspective view of a beer tap showing a second embodiment of my new design;

FIG. 6 is a front elevation view of the second embodiment of my new design; and,

FIG. 7 is a bottom view of the second embodiment of my new design.

Tap handles are shown in broken lines for illustrative purposes only and form no part of the claimed design.

1 Claim, 7 Drawing Sheets



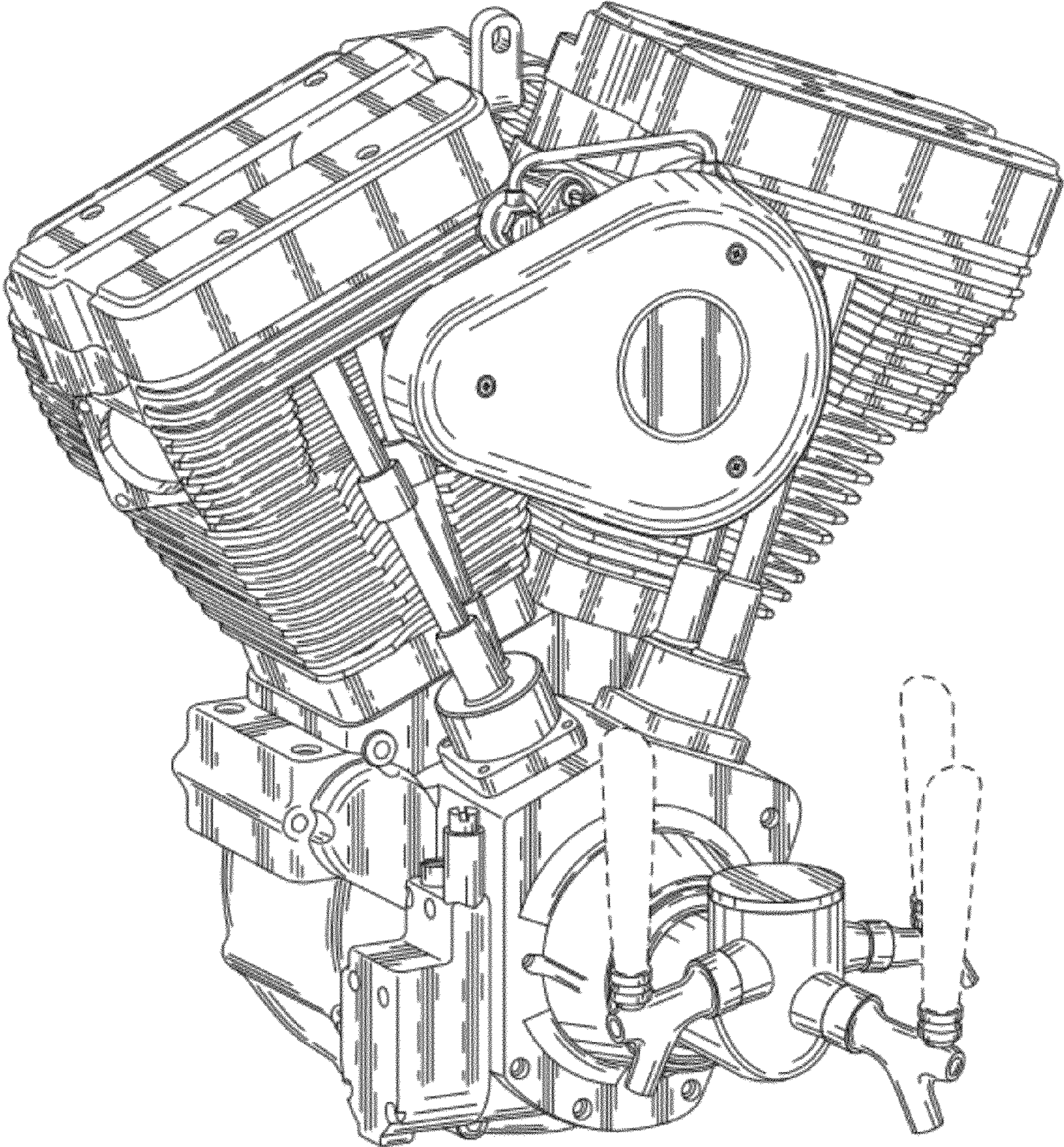


FIG. 1

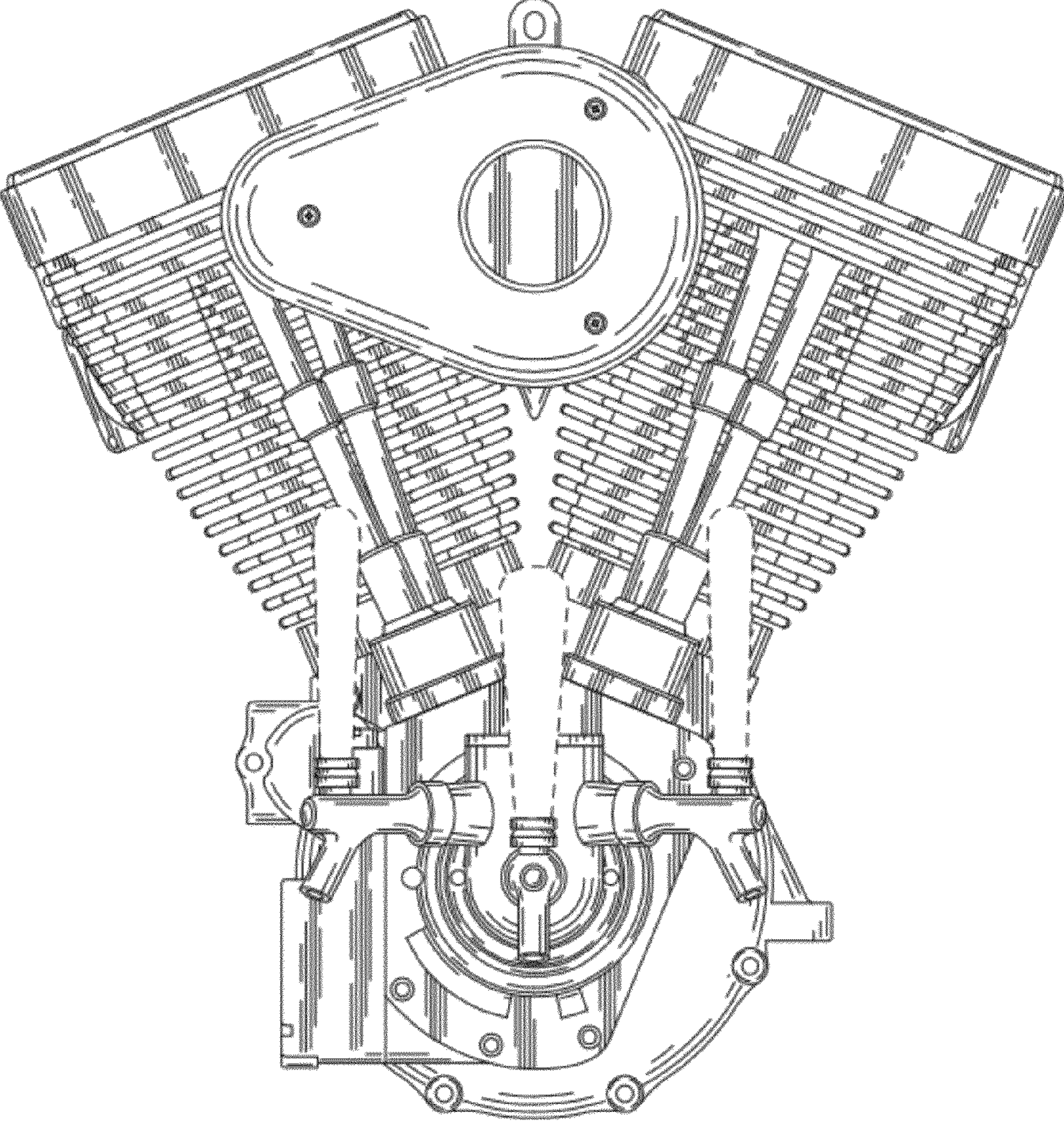


FIG. 2

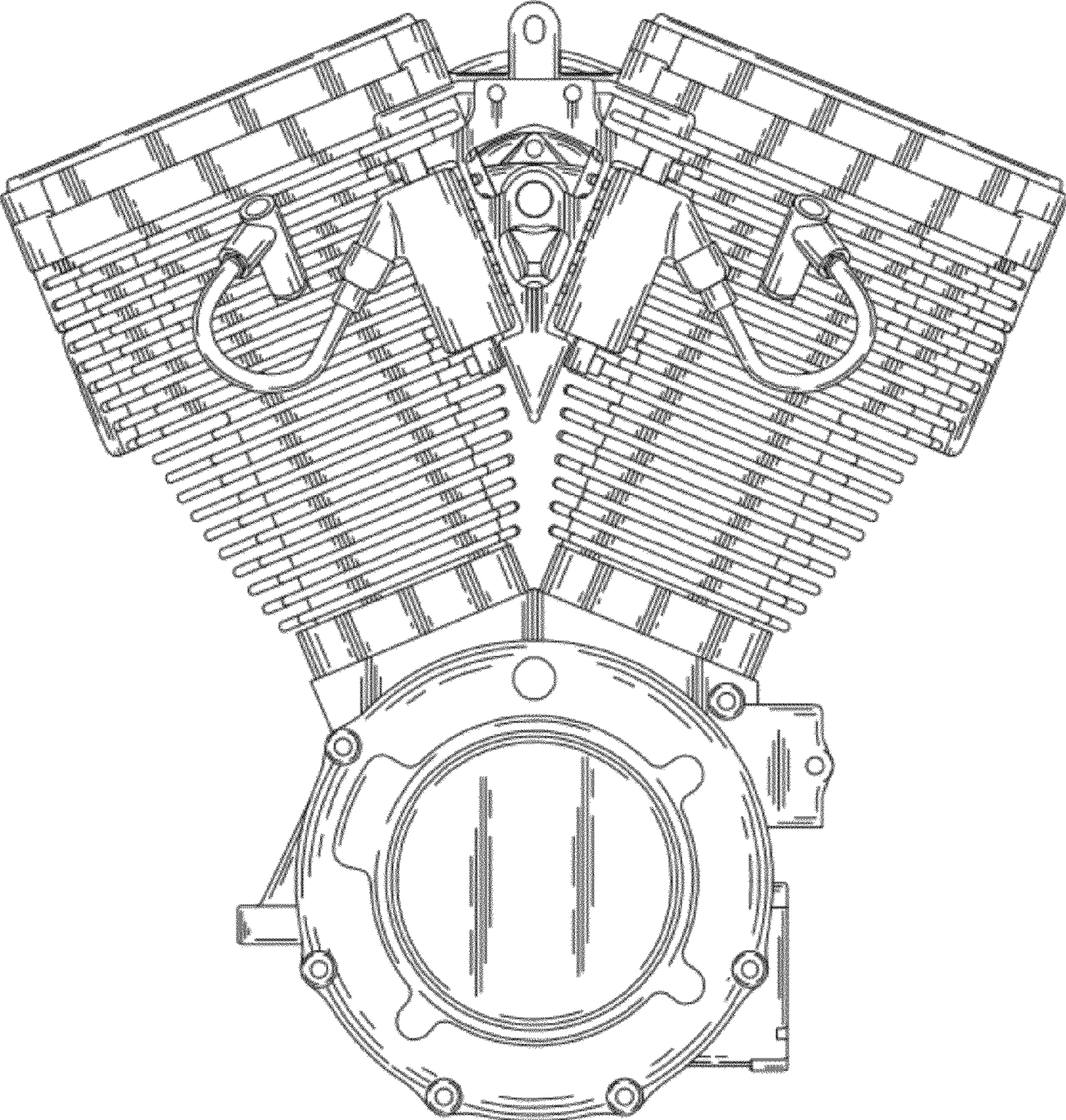


FIG. 3

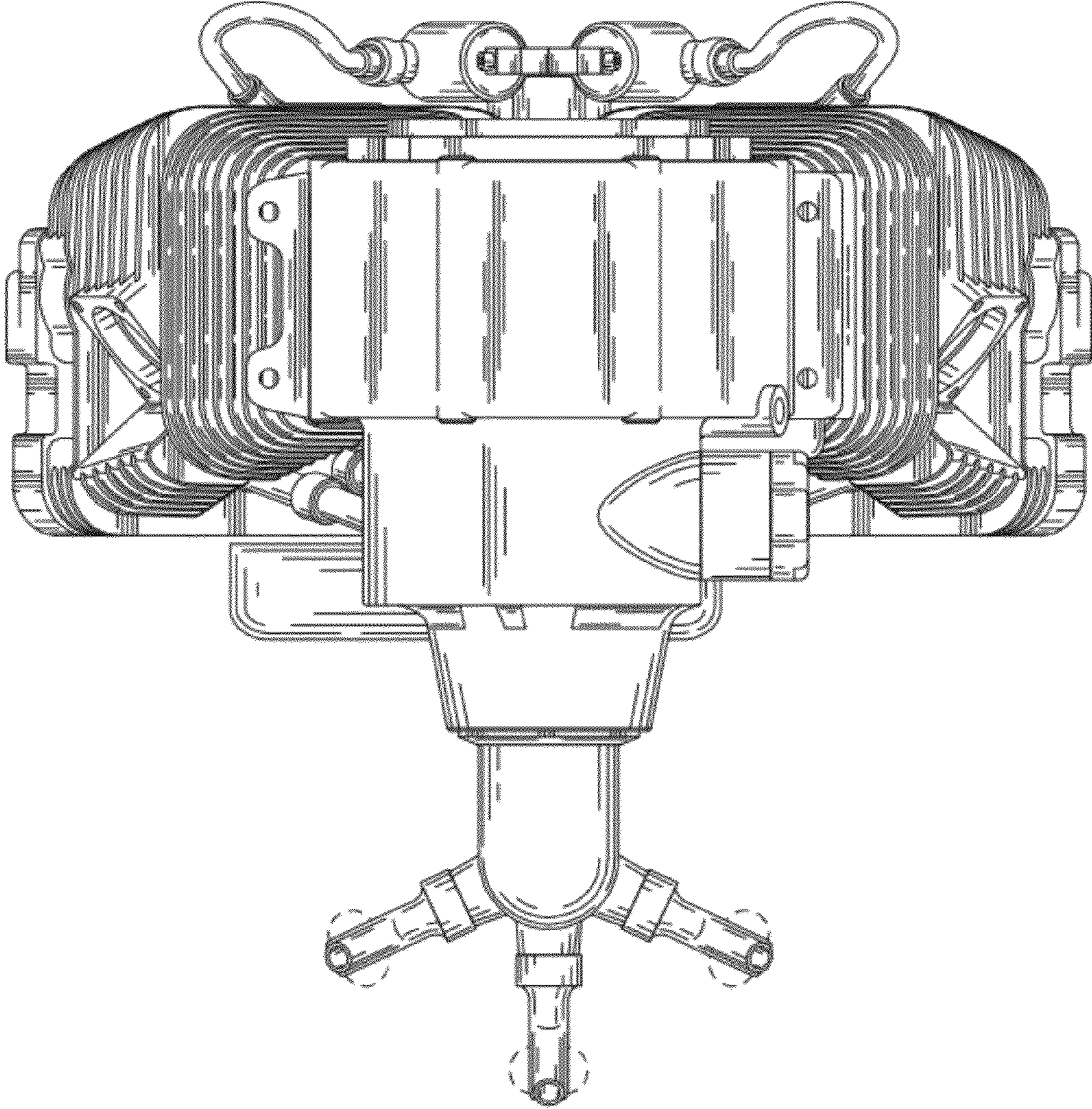


FIG. 4

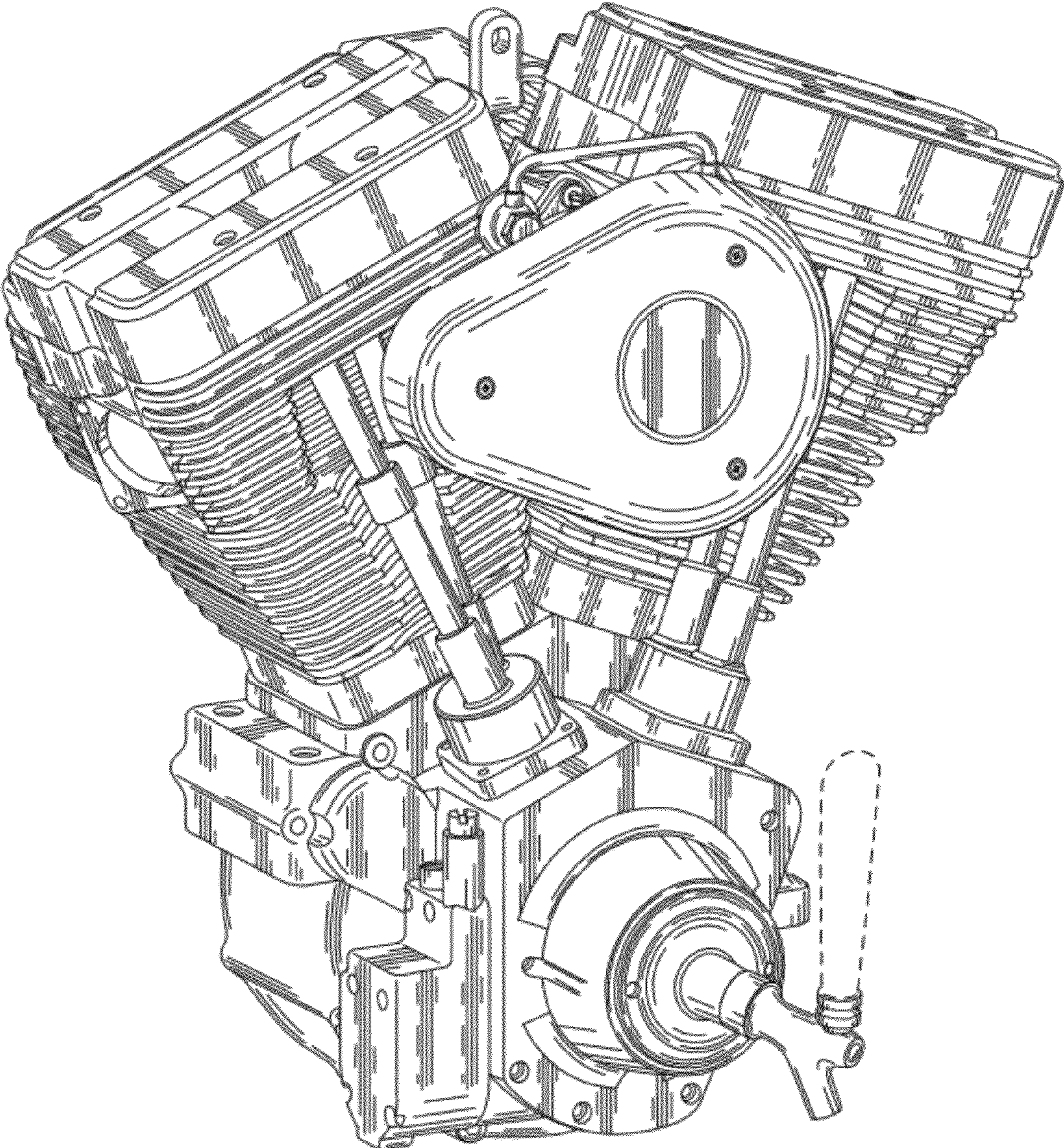


FIG. 5

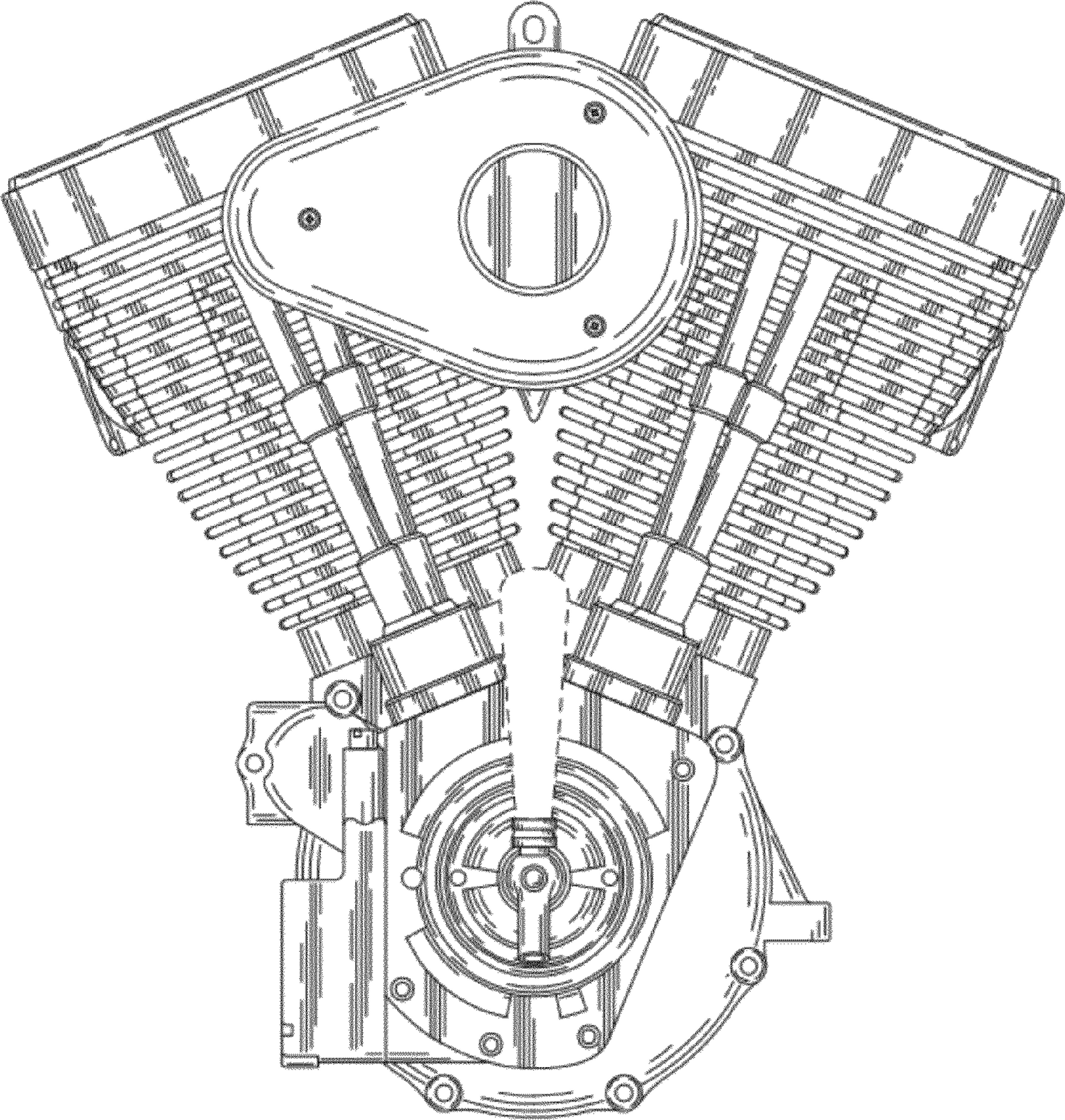


FIG. 6

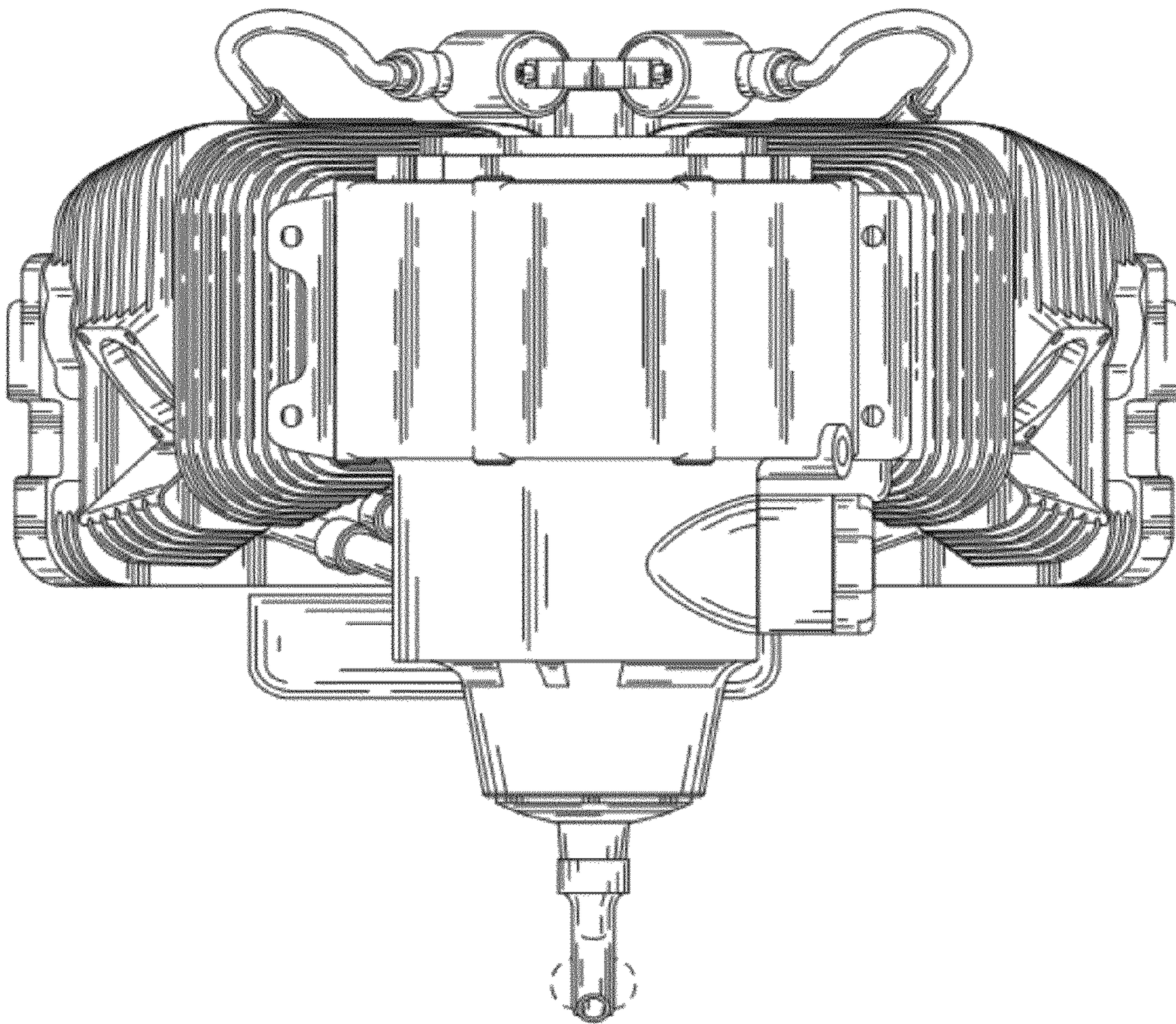


FIG. 7