

US00D669291S

(12) **United States Design Patent**
Johnson et al.

(10) **Patent No.:** **US D669,291 S**
(45) **Date of Patent:** **** Oct. 23, 2012**

(54) **DISPLAY FIXTURE**
(75) Inventors: **Jason W. Johnson**, Wayzata, MN (US);
Erin L. Zobel, Minneapolis, MN (US)
(73) Assignee: **Target Brands, Inc.**, Minneapolis, MN
(US)
(**) Term: **14 Years**
(21) Appl. No.: **29/418,489**

(22) Filed: **Apr. 17, 2012**
(51) **LOC (9) Cl.** **06-04**
(52) **U.S. Cl.** **D6/566**
(58) **Field of Classification Search** D6/552,
D6/553, 566, 567, 572, 512-514; D8/349,
D8/354, 363, 367, 372, 373; 211/13.1, 30,
211/44, 86.01, 87.01, 90.03, 112, 119, 133.5,
211/181.1; 248/175, 200, 201, 205.1, 220.21,
248/220.31, 302, 303, 304, 307, 309.1, 309.2,
248/312

See application file for complete search history.

(56) **References Cited**

U.S. PATENT DOCUMENTS

917,170	A *	4/1909	Short	211/106
2,897,975	A	8/1959	Rubenstein		
2,944,679	A	7/1960	Rubenstein		
3,014,597	A *	12/1961	McWherter	211/175
3,374,898	A *	3/1968	Karmin	248/220.41
3,595,404	A	7/1971	Goldstein et al.		
3,918,588	A	11/1975	Walser et al.		
D242,409	S *	11/1976	Enckler	D6/566
4,248,352	A	2/1981	White		
4,343,405	A	8/1982	Virte et al.		
D273,736	S *	5/1984	Barry	D6/556
4,863,131	A *	9/1989	Kinseley	248/220.41
D317,688	S	6/1991	Bezzarides et al.		
D319,125	S *	8/1991	Currie	D6/566
5,257,702	A	11/1993	Grafstein		
5,397,087	A	3/1995	Teece		
5,437,376	A *	8/1995	Larsen	D6/566

D380,638	S	7/1997	Cohen et al.		
5,836,459	A	11/1998	Nezwek et al.		
D423,857	S *	5/2000	Shea	D6/566
6,129,222	A	10/2000	Mylander et al.		
D473,073	S	4/2003	Kettering et al.		
6,561,362	B1	5/2003	Cummins		
6,877,616	B2	4/2005	Plutsky		
6,883,671	B2	4/2005	Rushing		
D551,007	S *	9/2007	Trinko	D6/566
7,971,737	B2	7/2011	Newbould et al.		
D660,066	S *	5/2012	Webb et al.	D6/566

* cited by examiner

Primary Examiner — Brian N Vinson

(74) *Attorney, Agent, or Firm* — Leanne Taveggia Farrell;
Westman, Champlin & Kelly, P.A.

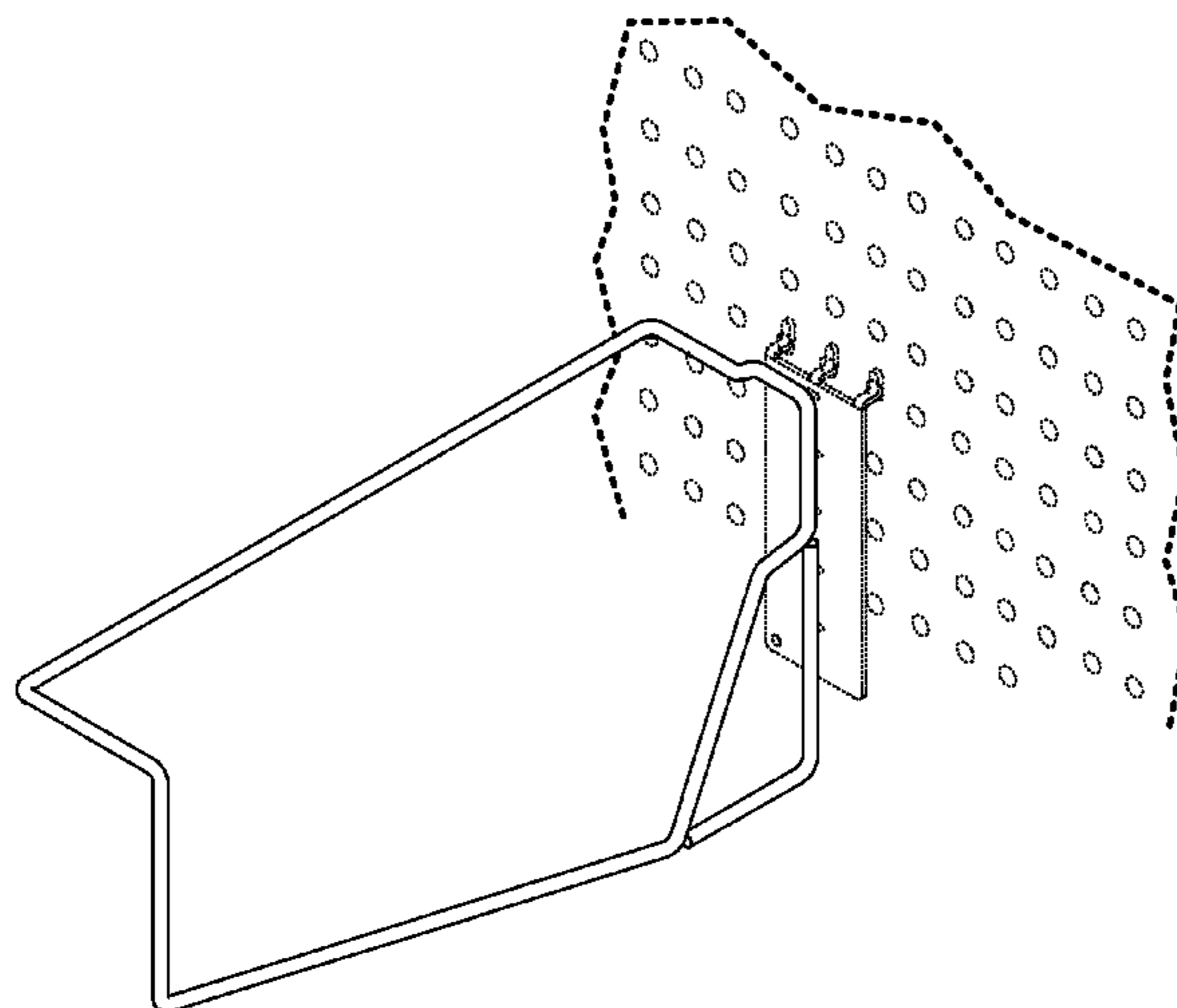
(57) **CLAIM**

The ornamental design for a display fixture, as shown and described.

DESCRIPTION

FIG. 1 is a top, front, and right side perspective view of a first embodiment of a display fixture showing our new design; FIG. 2 is a front elevational view thereof; FIG. 3 is a rear elevational view thereof; FIG. 4 is a top plan view thereof; FIG. 5 is a bottom plan view thereof; FIG. 6 is a left side elevational view thereof; FIG. 7 is a right side elevational view thereof; FIG. 8 is a top, front, and right side perspective view of a second embodiment thereof; FIG. 9 is a front elevational view thereof; FIG. 10 is a rear elevational view thereof; FIG. 11 is a top plan view thereof; FIG. 12 is a bottom plan view thereof; FIG. 13 is a left side elevational view thereof; and, FIG. 14 is a right side elevational view thereof. The broken-line disclosure in the views is for illustrative purposes only and forms no part of the claimed design.

1 Claim, 8 Drawing Sheets



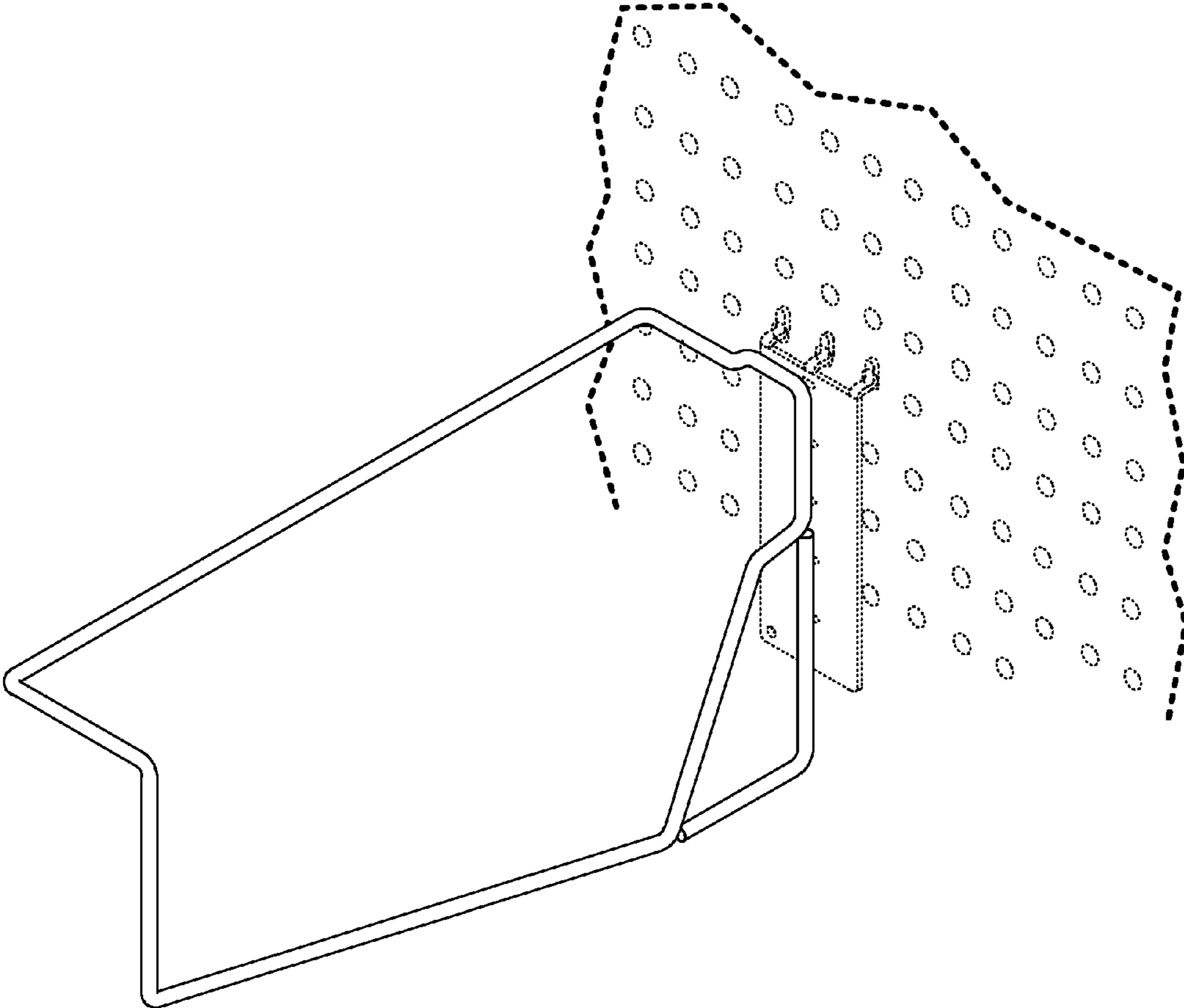


FIG. 1

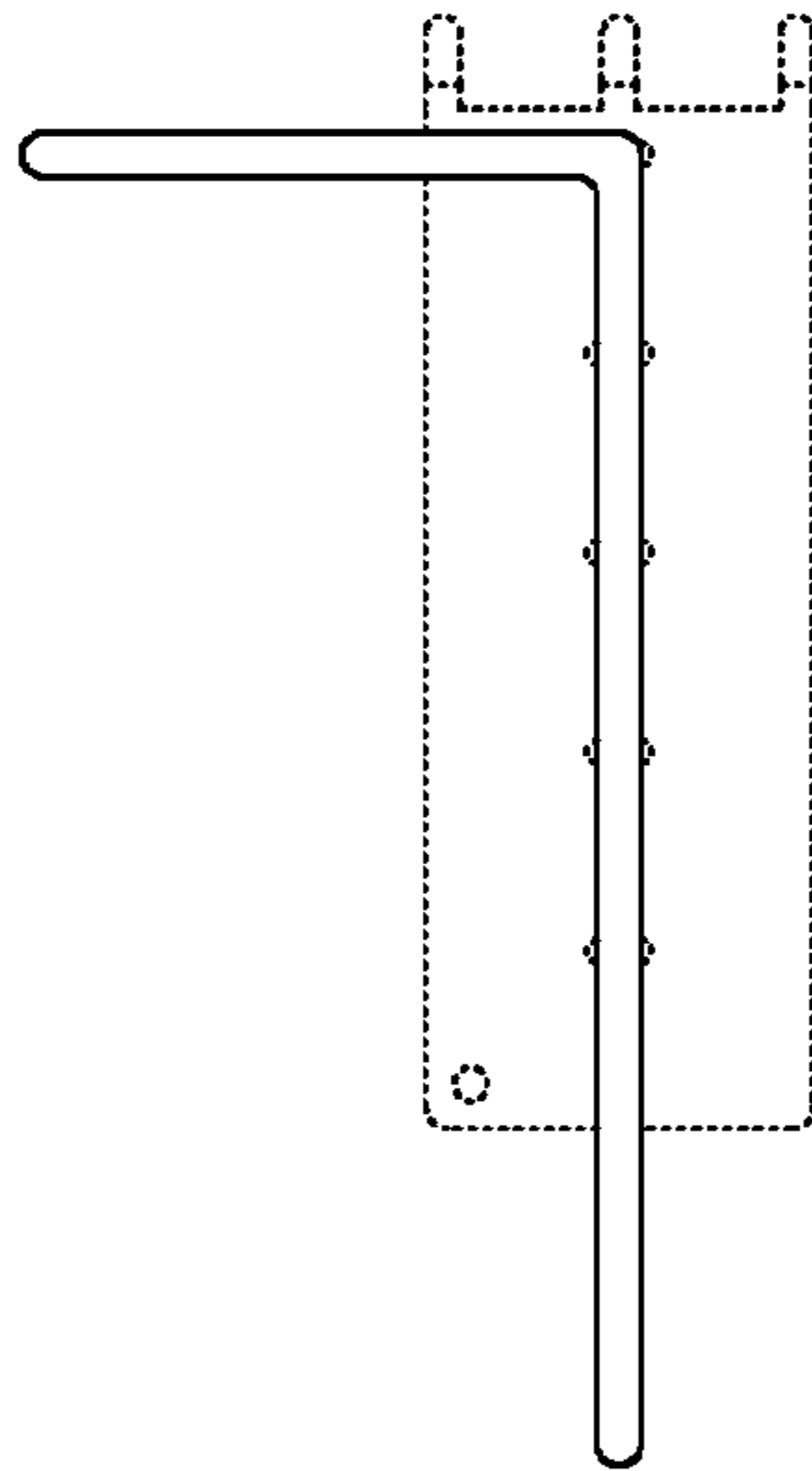


FIG. 2

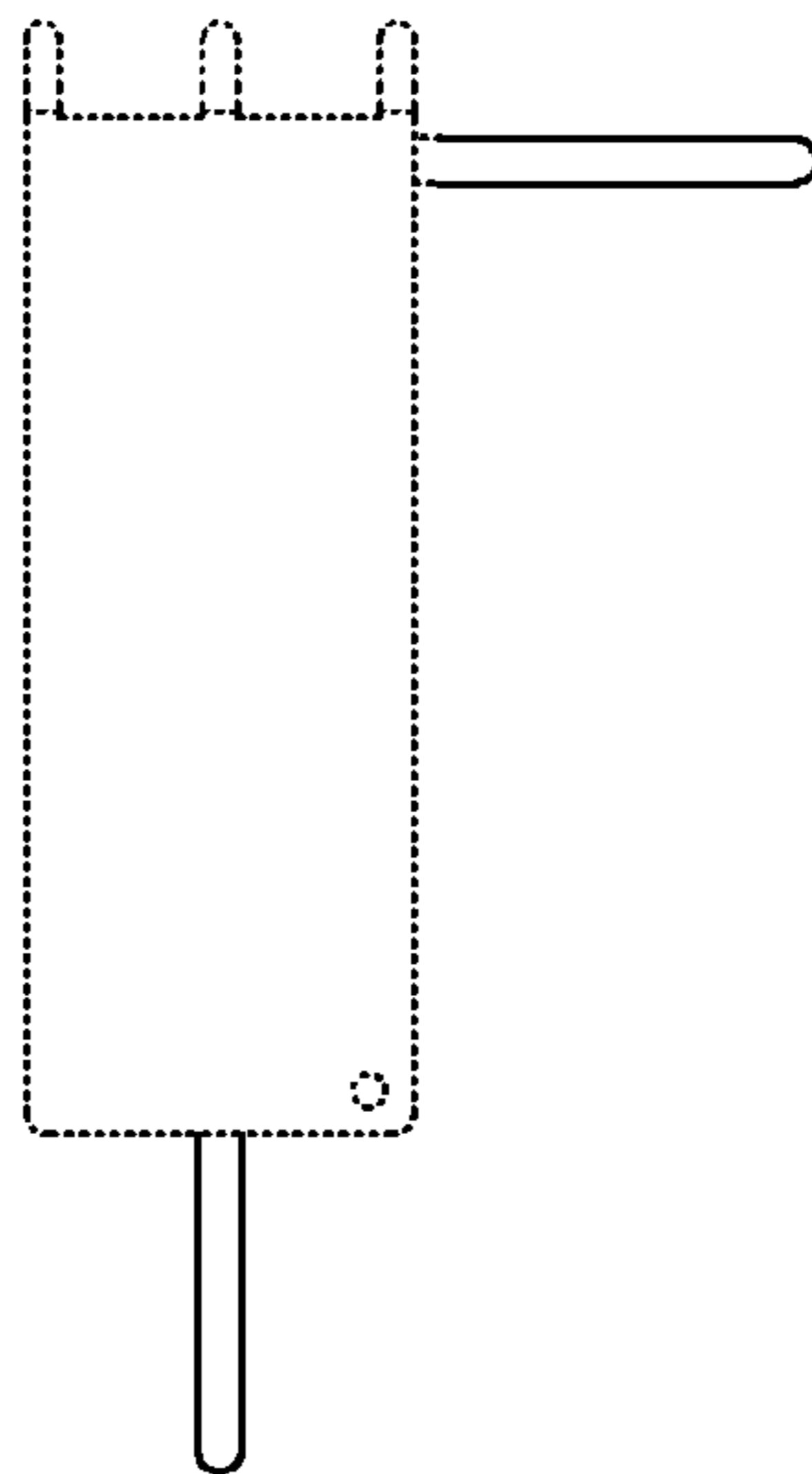


FIG. 3

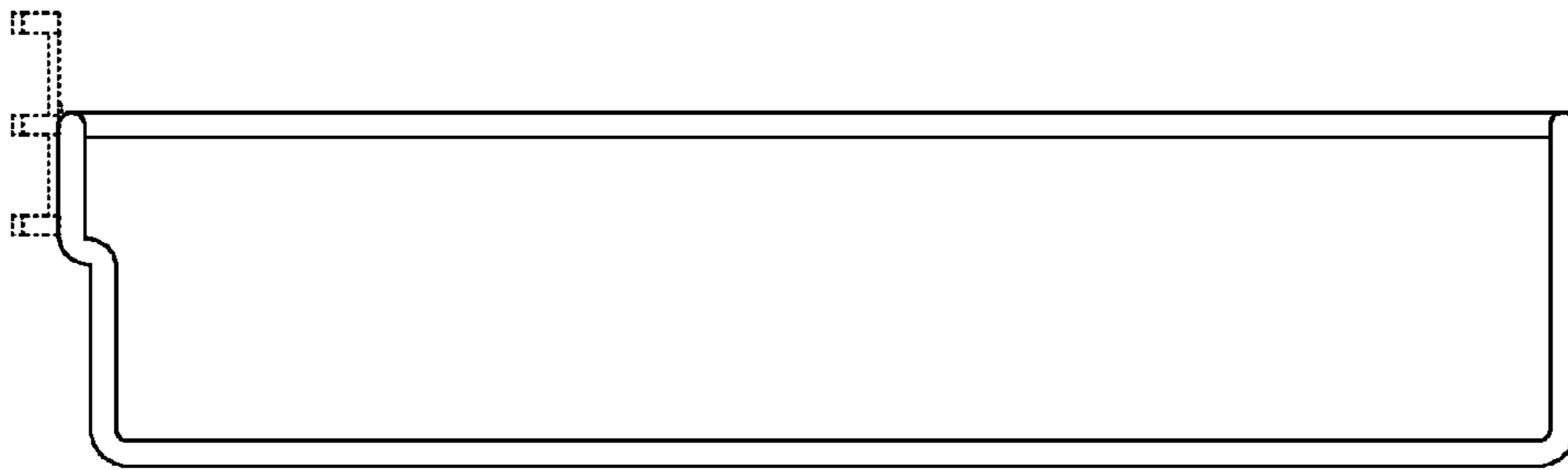


FIG. 4

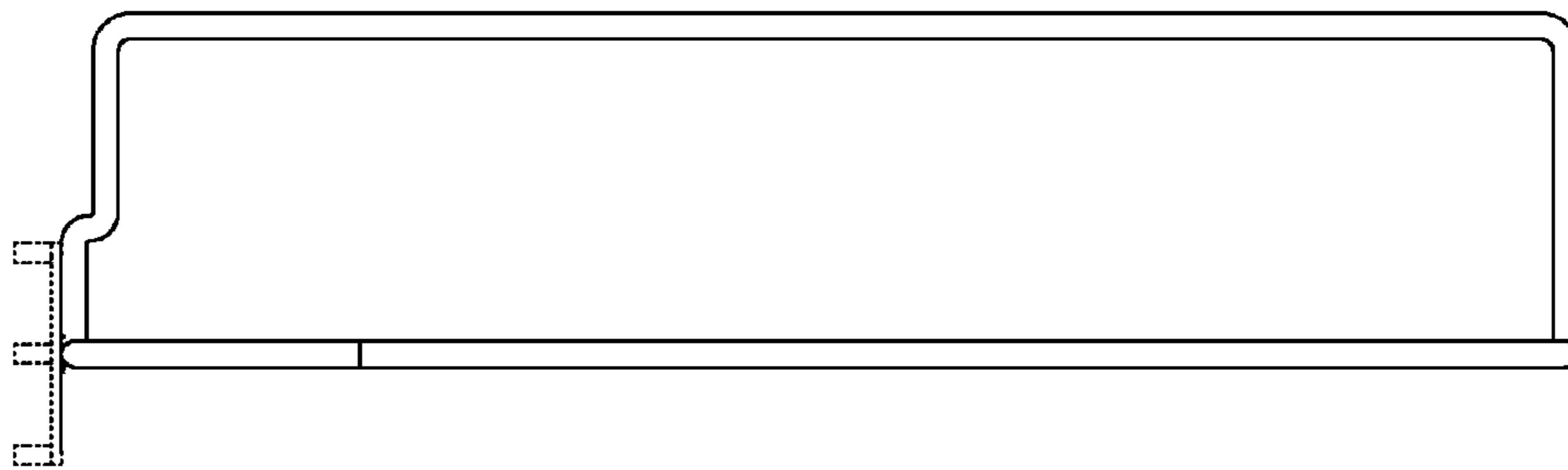


FIG. 5

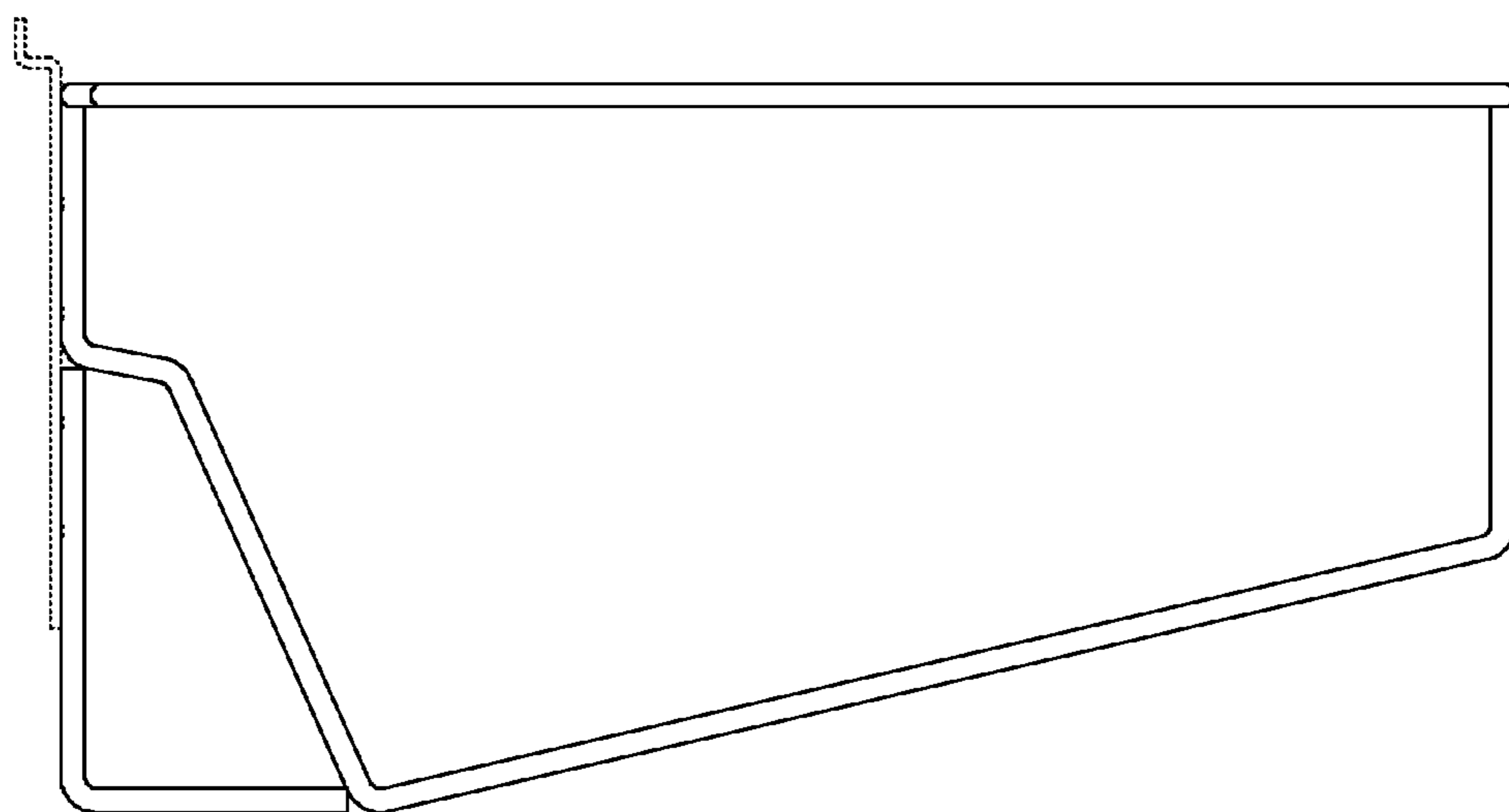


FIG. 6

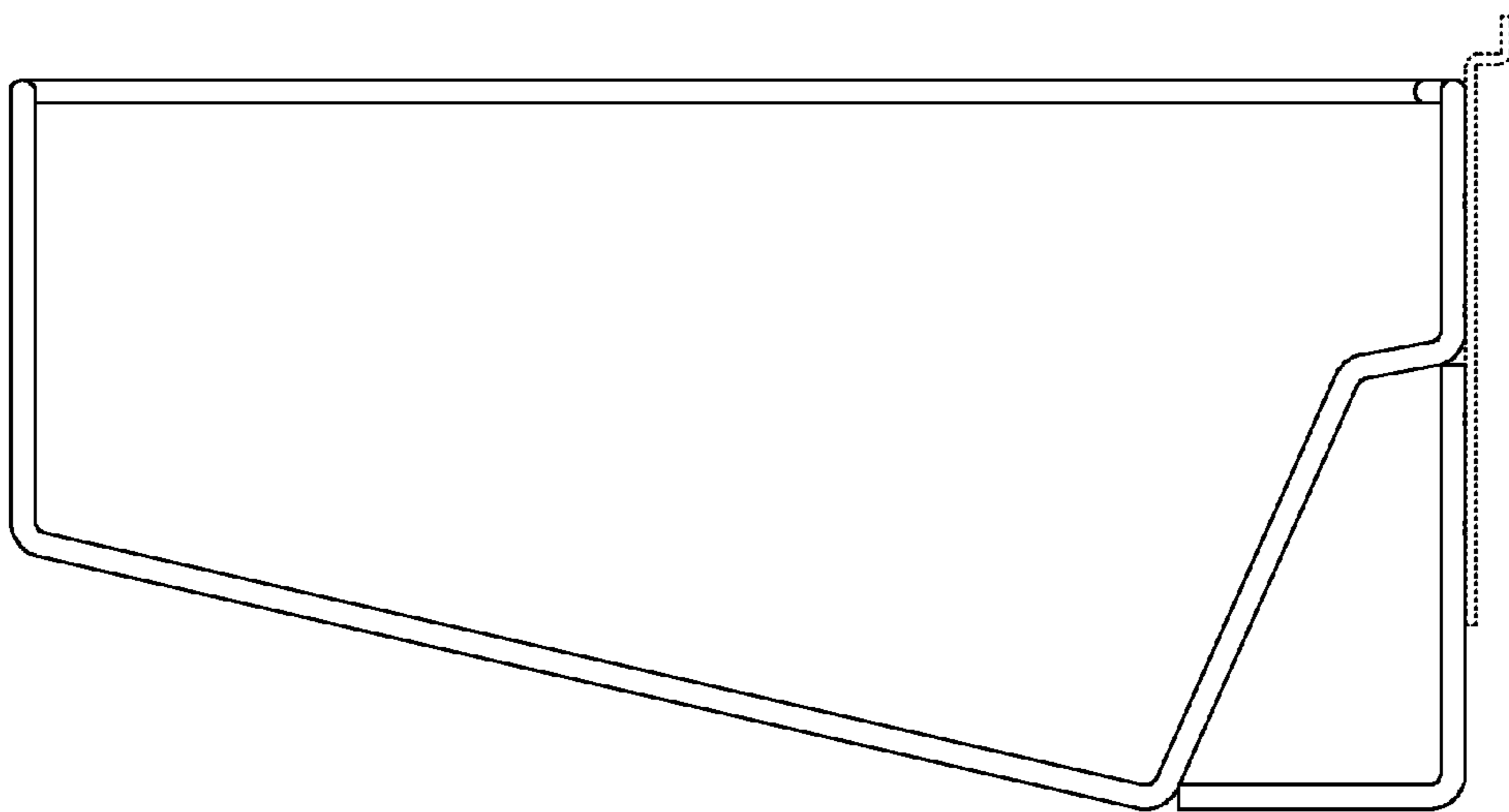


FIG. 7

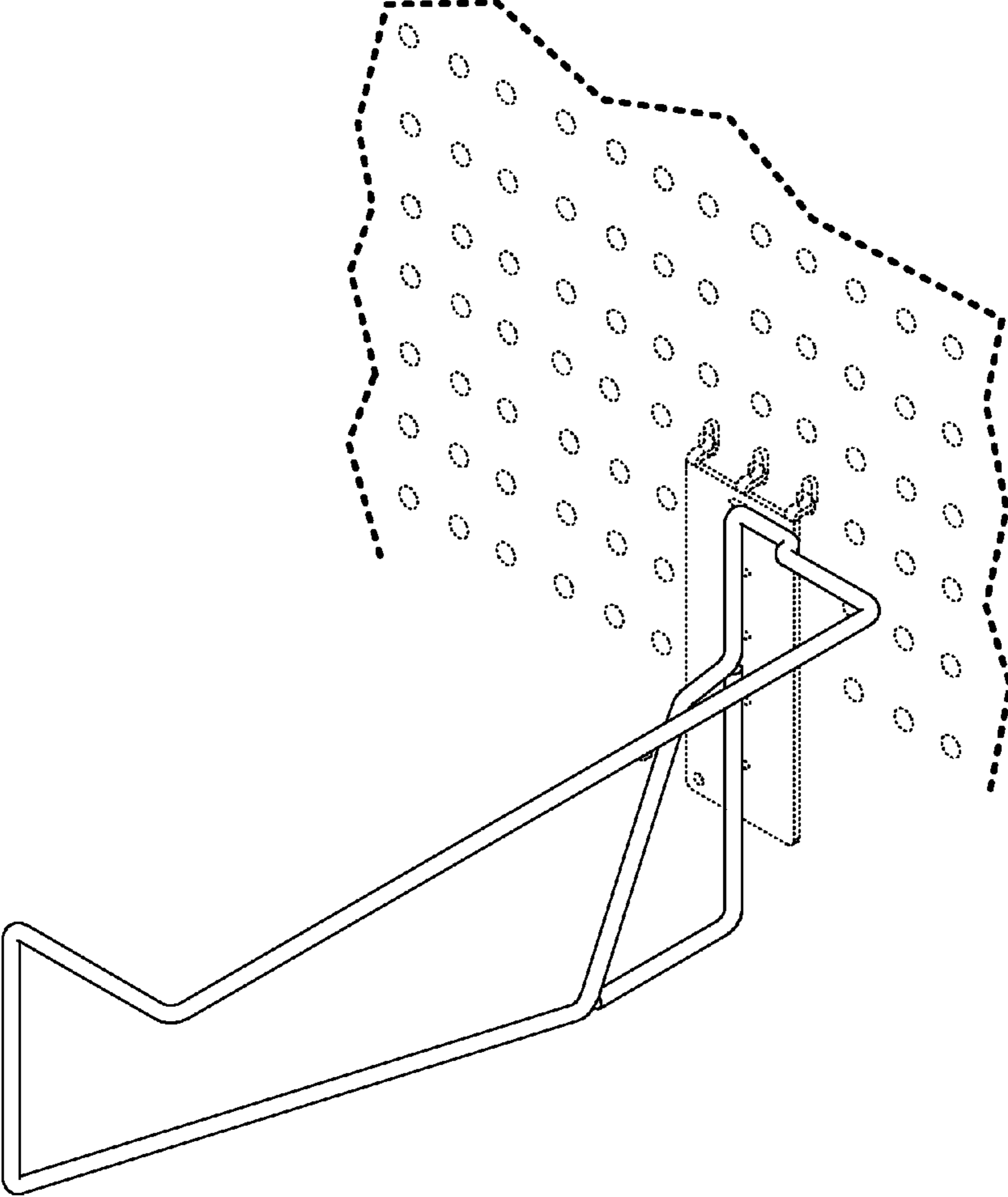


FIG. 8

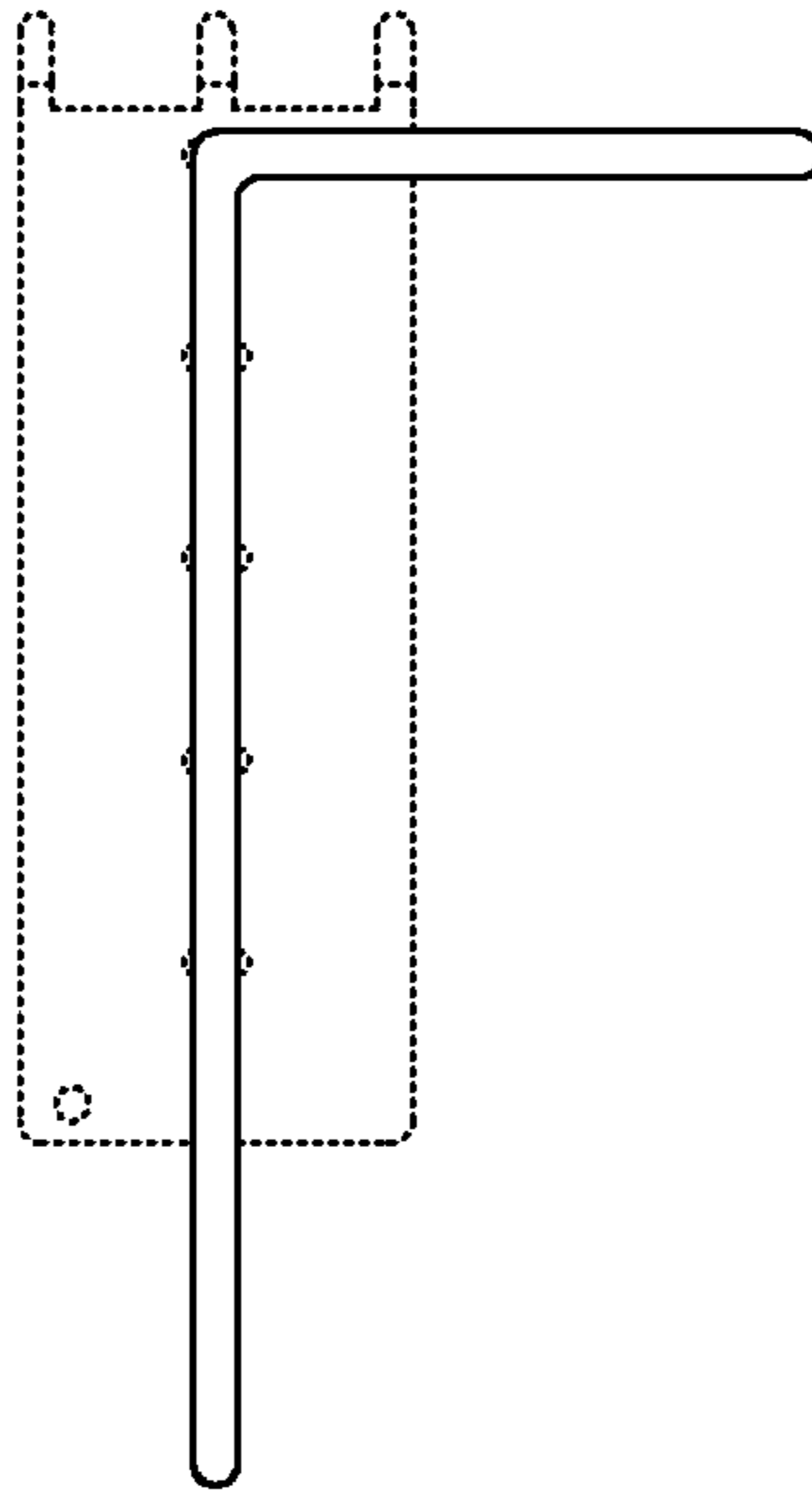


FIG. 9

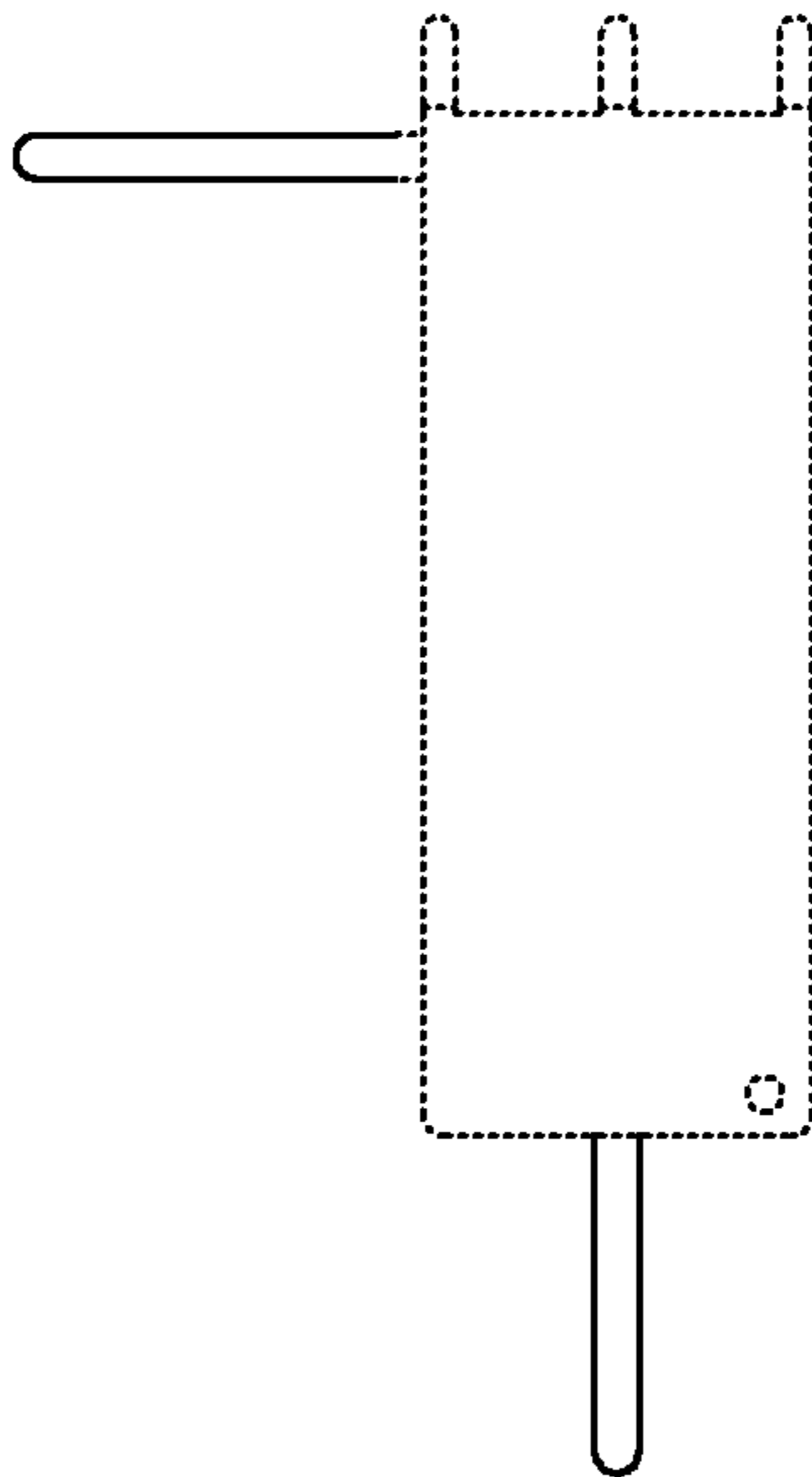


FIG. 10

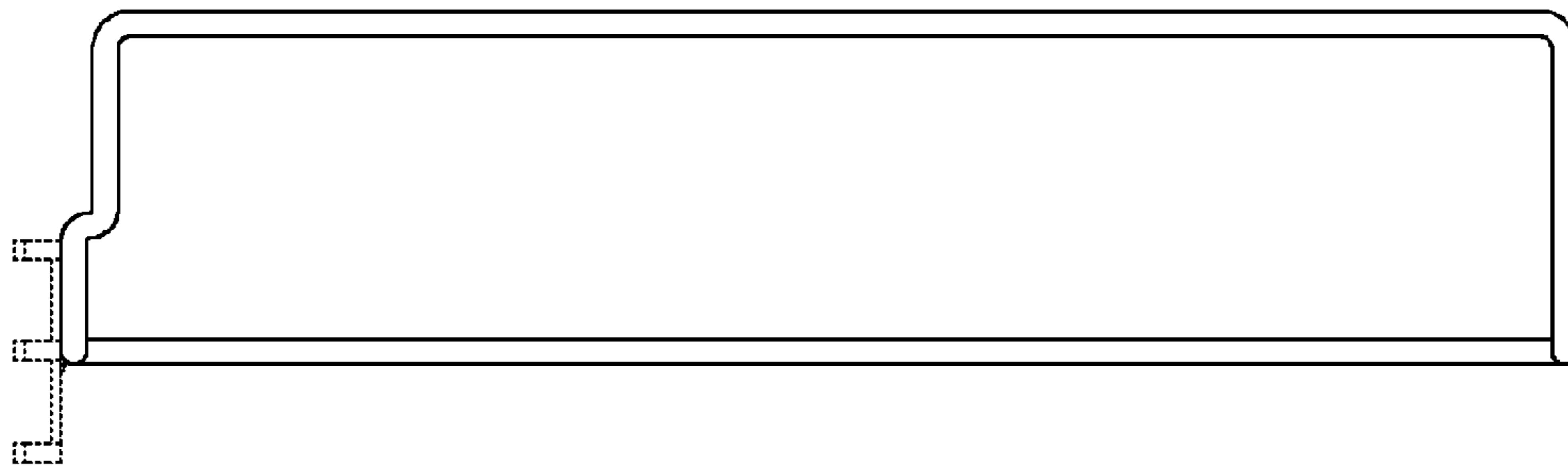


FIG. 11

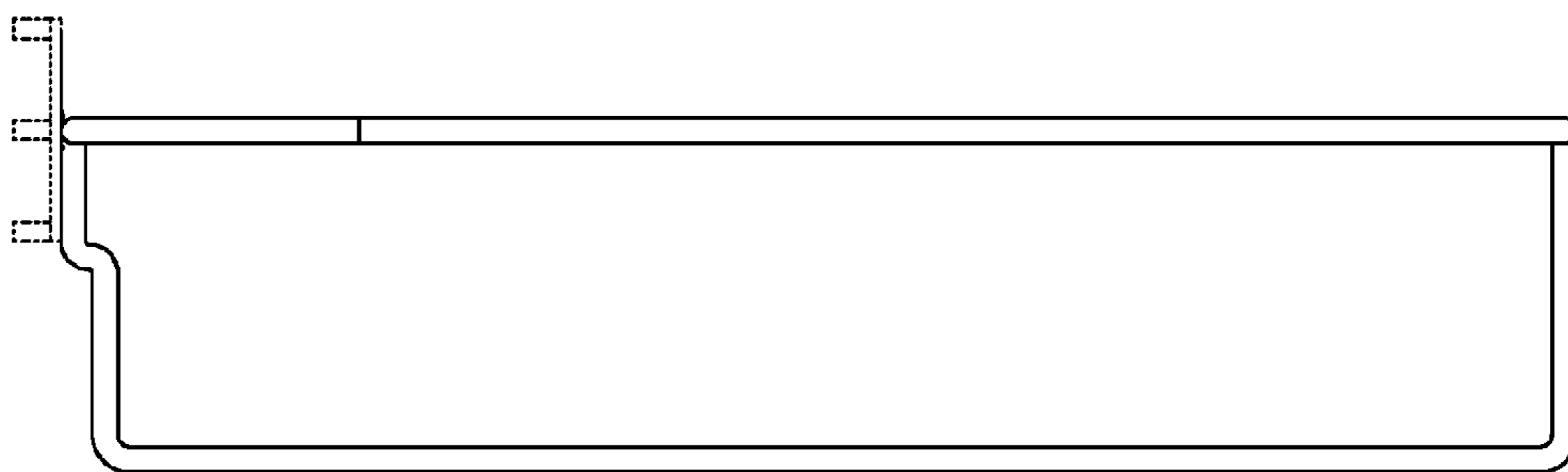


FIG. 12

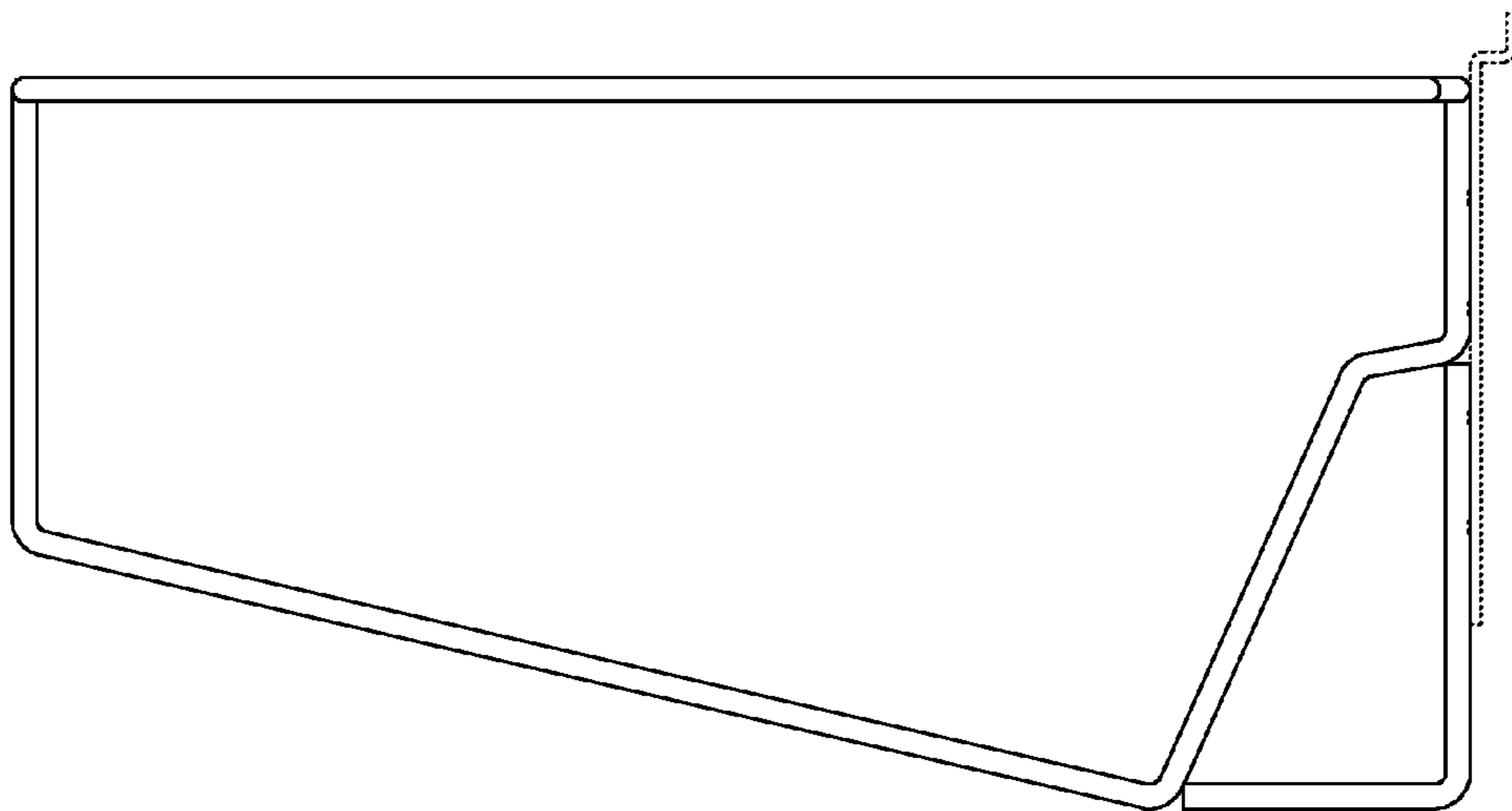


FIG. 13

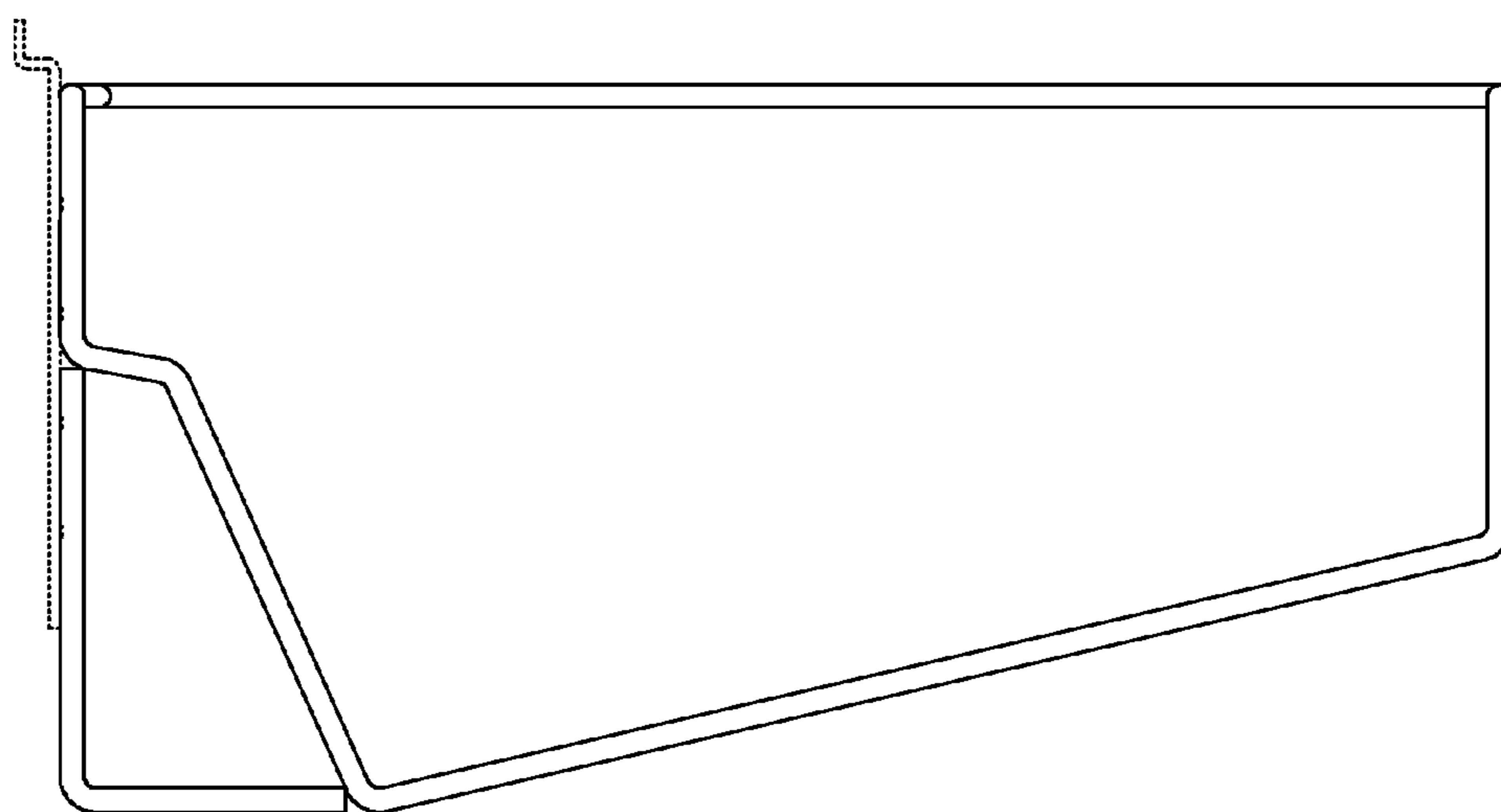


FIG. 14