

US00D669290S

(12) **United States Design Patent**
Rincon

(10) **Patent No.:** **US D669,290 S**

(45) **Date of Patent:** **** Oct. 23, 2012**

(54) **BED ORGANIZER WITH PRESSURE
HOLDER**

(75) Inventor: **Alfonso Jesus Rincon**, Miami, FL (US)

(73) Assignee: **Alfonso J. Rincon**, Miami, FL (US)

(**) Term: **14 Years**

(21) Appl. No.: **29/401,926**

(22) Filed: **Sep. 16, 2011**

(51) **LOC (9) Cl.** **06-04**

(52) **U.S. Cl.** **D6/553**

(58) **Field of Classification Search** D6/553,
D6/540, 567, 574, 512-514; D3/201, 304,
D3/315, 901; 211/13.1, 85.1, 82.12, 70.6,
211/86.01, 87.01, 119.009, 126.1; 206/77.1,
206/5, 207, 349, 361, 363, 812

See application file for complete search history.

(56) **References Cited**

U.S. PATENT DOCUMENTS

D362,780 S * 10/1995 Hampshire D6/567
D614,427 S * 4/2010 Nejad D6/553
D639,092 S * 6/2011 Lundy D6/513
D642,841 S * 8/2011 Dretzka D6/553

* cited by examiner

Primary Examiner — Brian N Vinson

(74) *Attorney, Agent, or Firm* — Miguel Albornoz

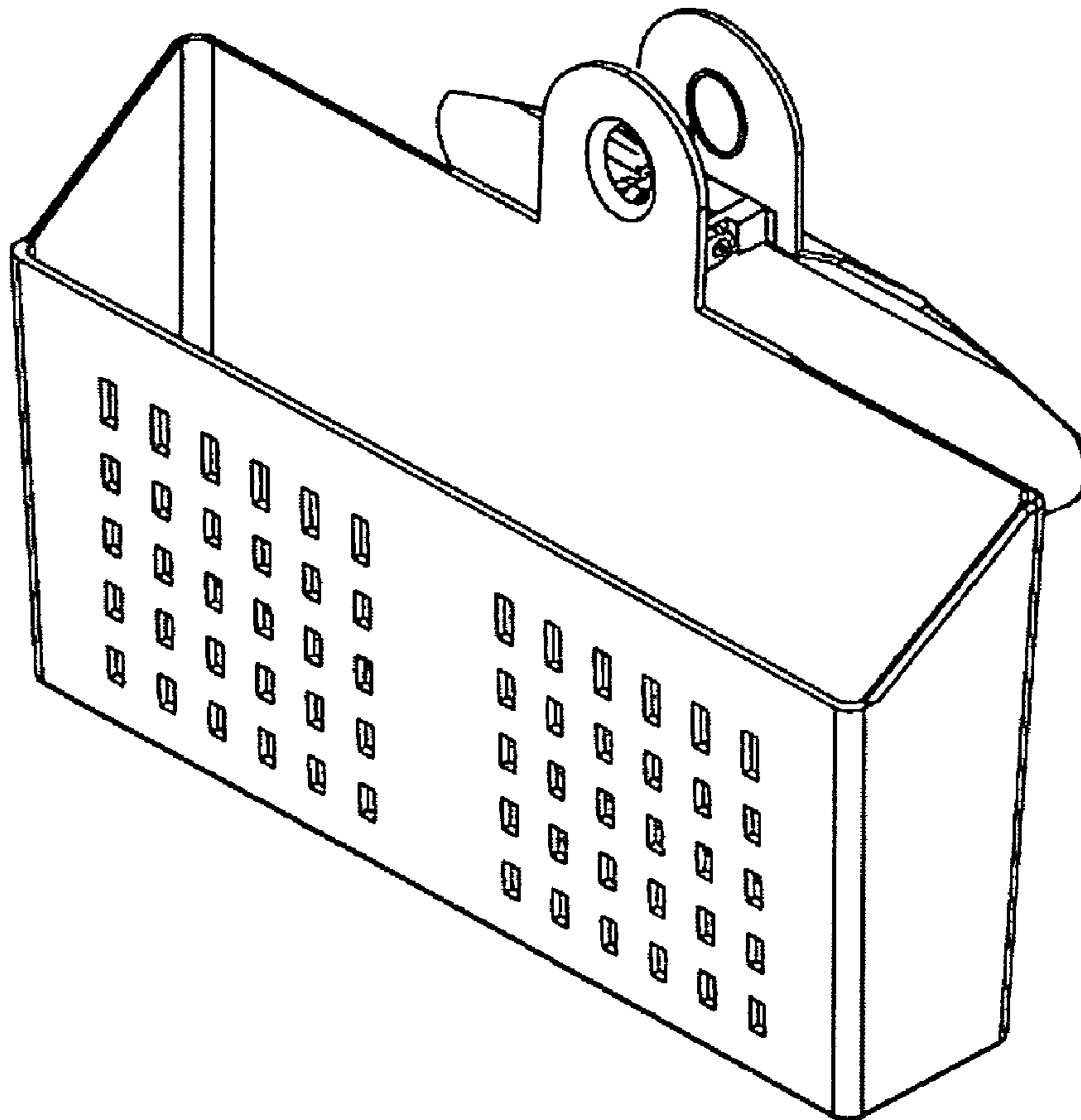
(57) **CLAIM**

The ornamental design for a bed organizer with pressure holder, as shown and described.

DESCRIPTION

FIG. 1 is a top plan view of bed organizer with pressure holder showing my new design;
FIG. 2 is a front elevational view thereof;
FIG. 3 is a bottom plan view thereof;
FIG. 4 is a right side elevational view thereof, the left side elevational view being a mirror image thereof;
FIG. 5 is a rear elevational view thereof;
FIG. 6 is a top, front, and right side perspective view thereof; and,
FIG. 7 is a top, rear, and left side perspective view thereof.

1 Claim, 7 Drawing Sheets



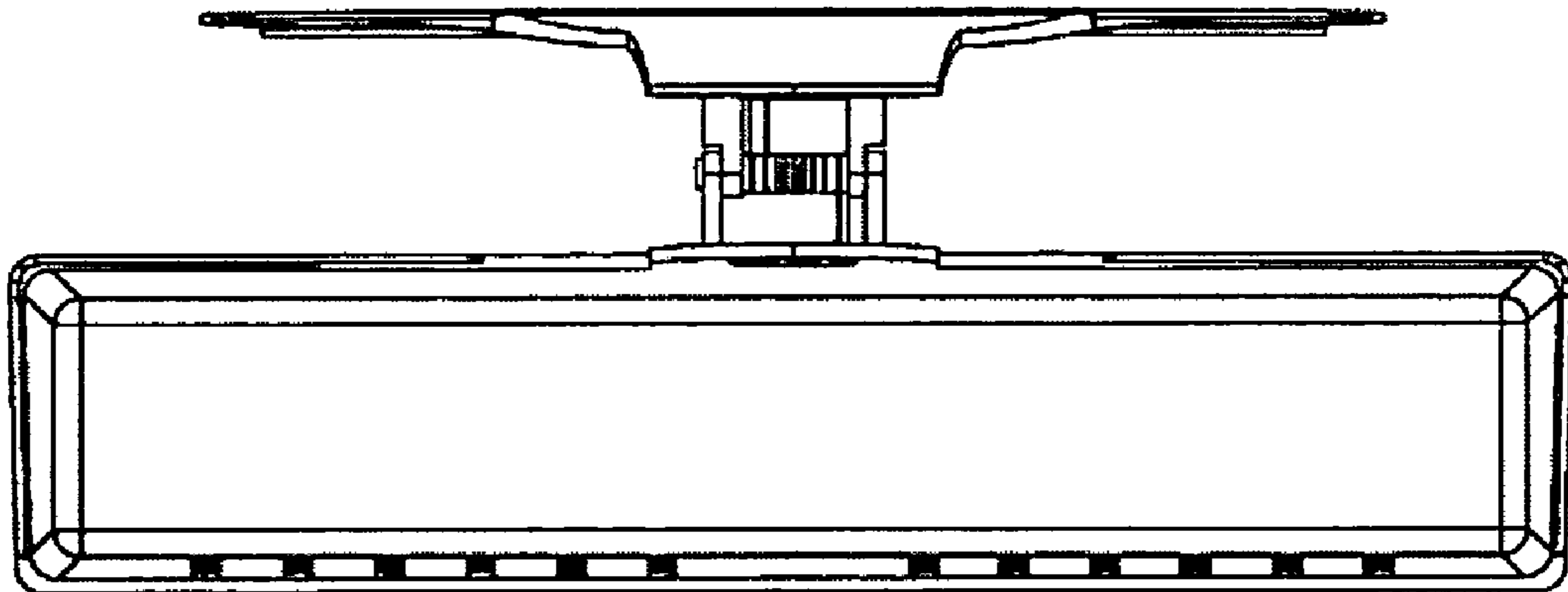


Fig. 1

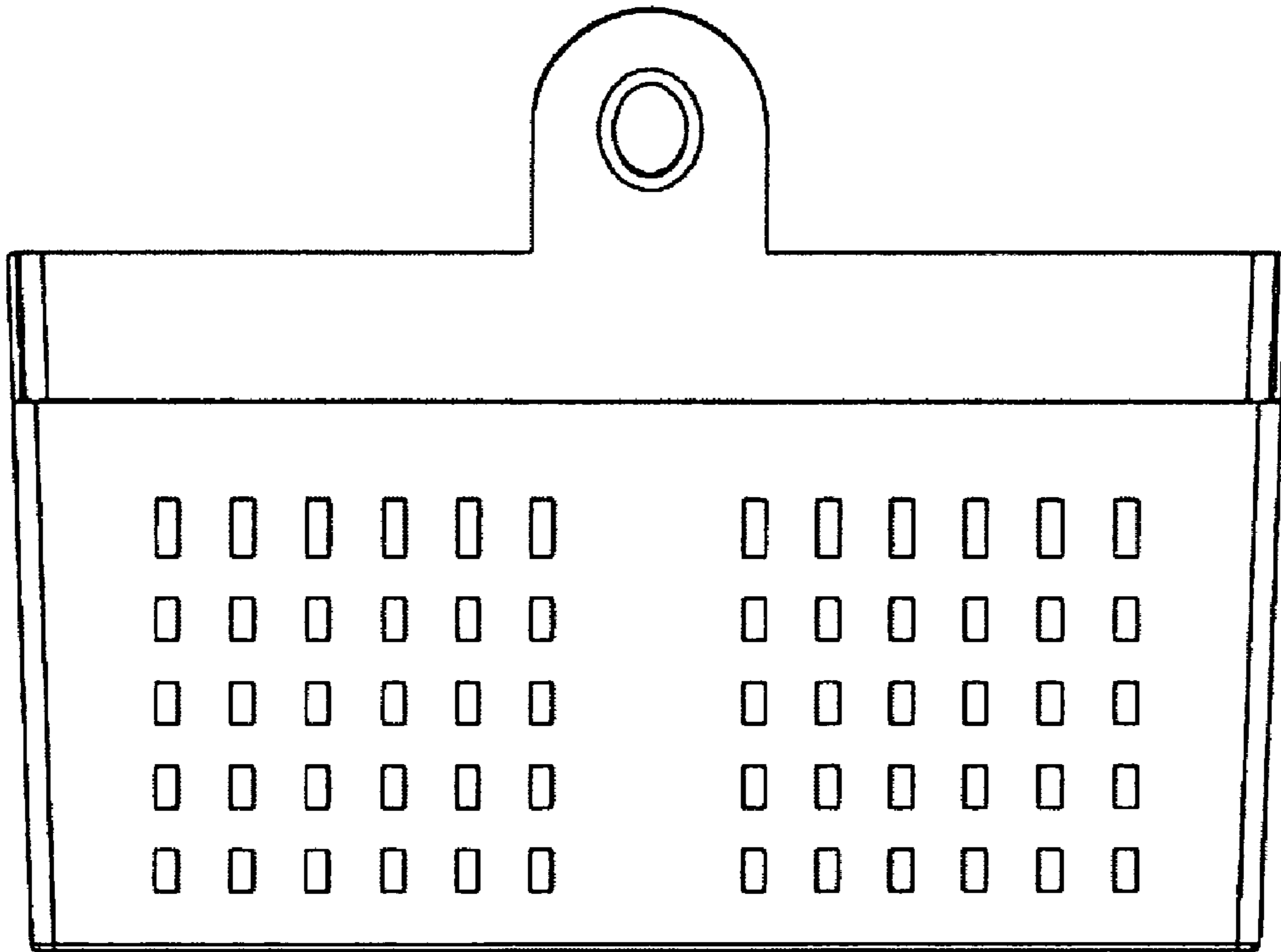


Fig. 2

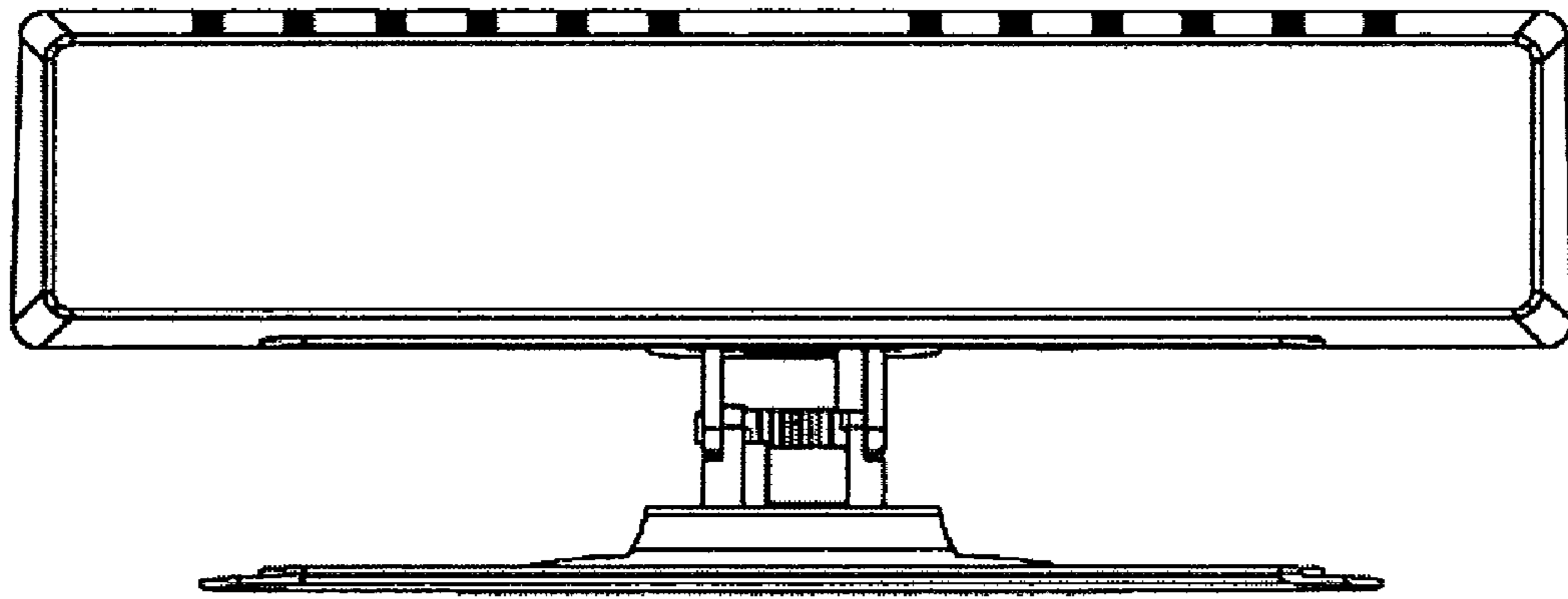


Fig. 3

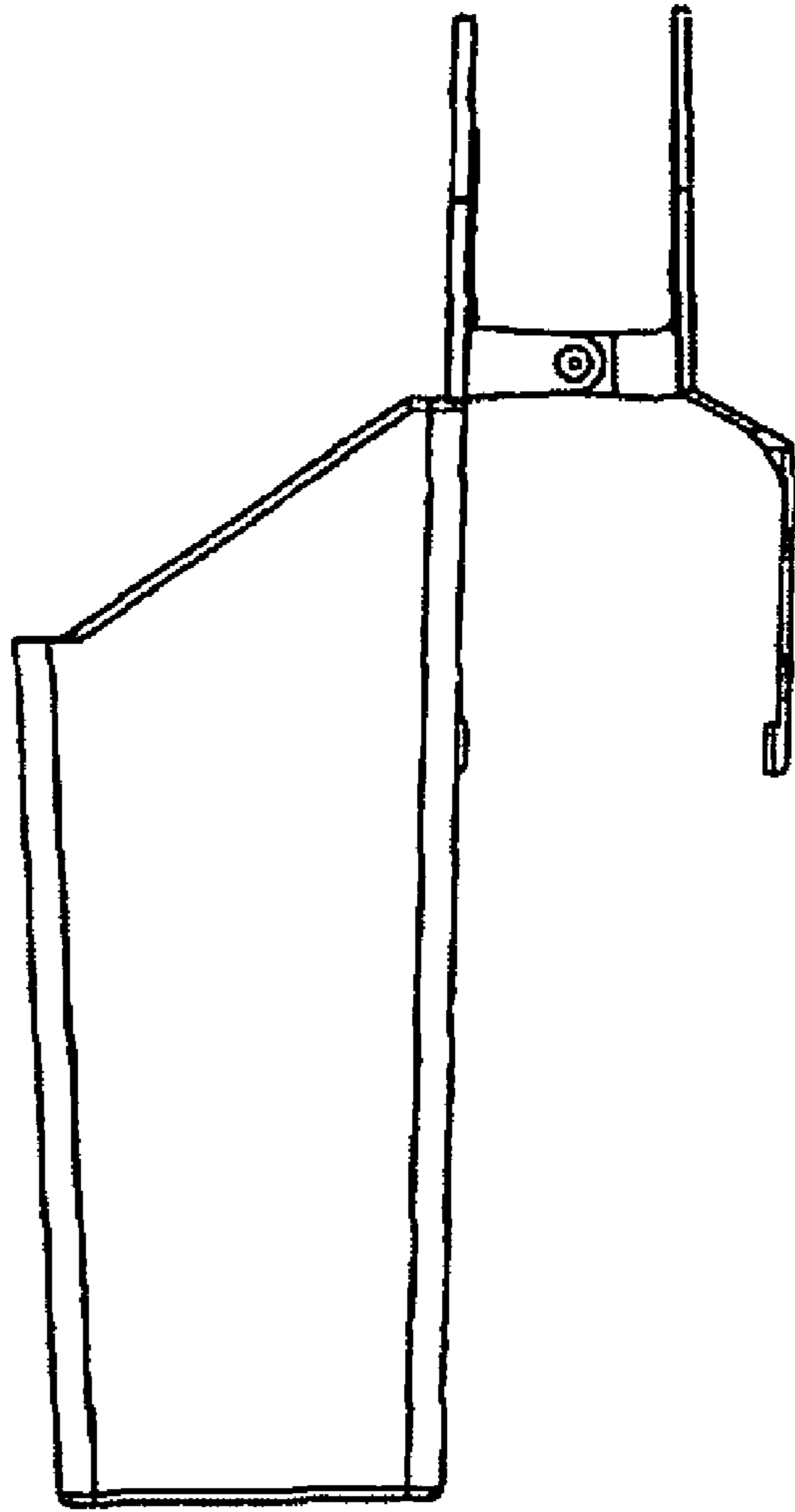


Fig. 4

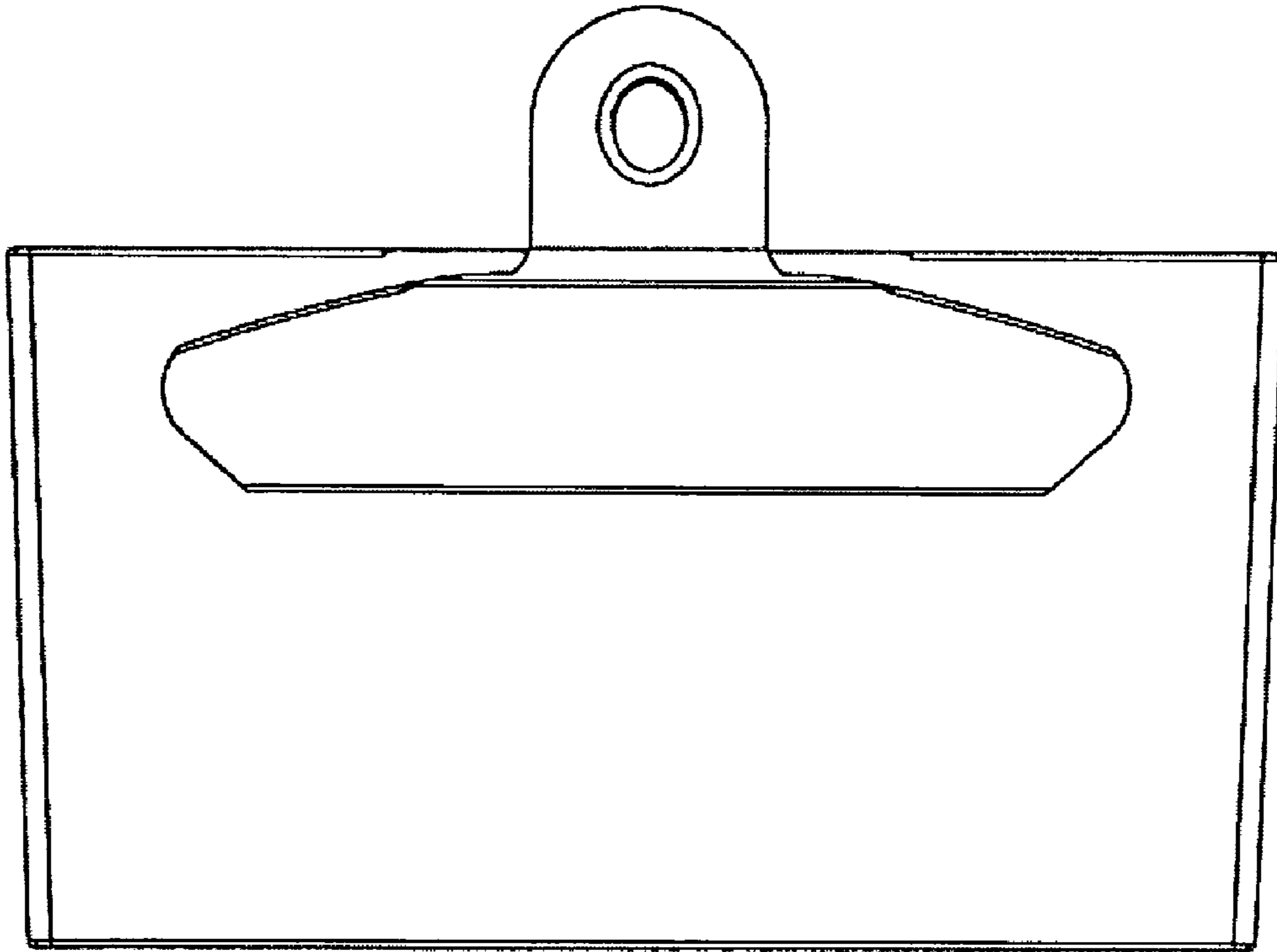


Fig. 5

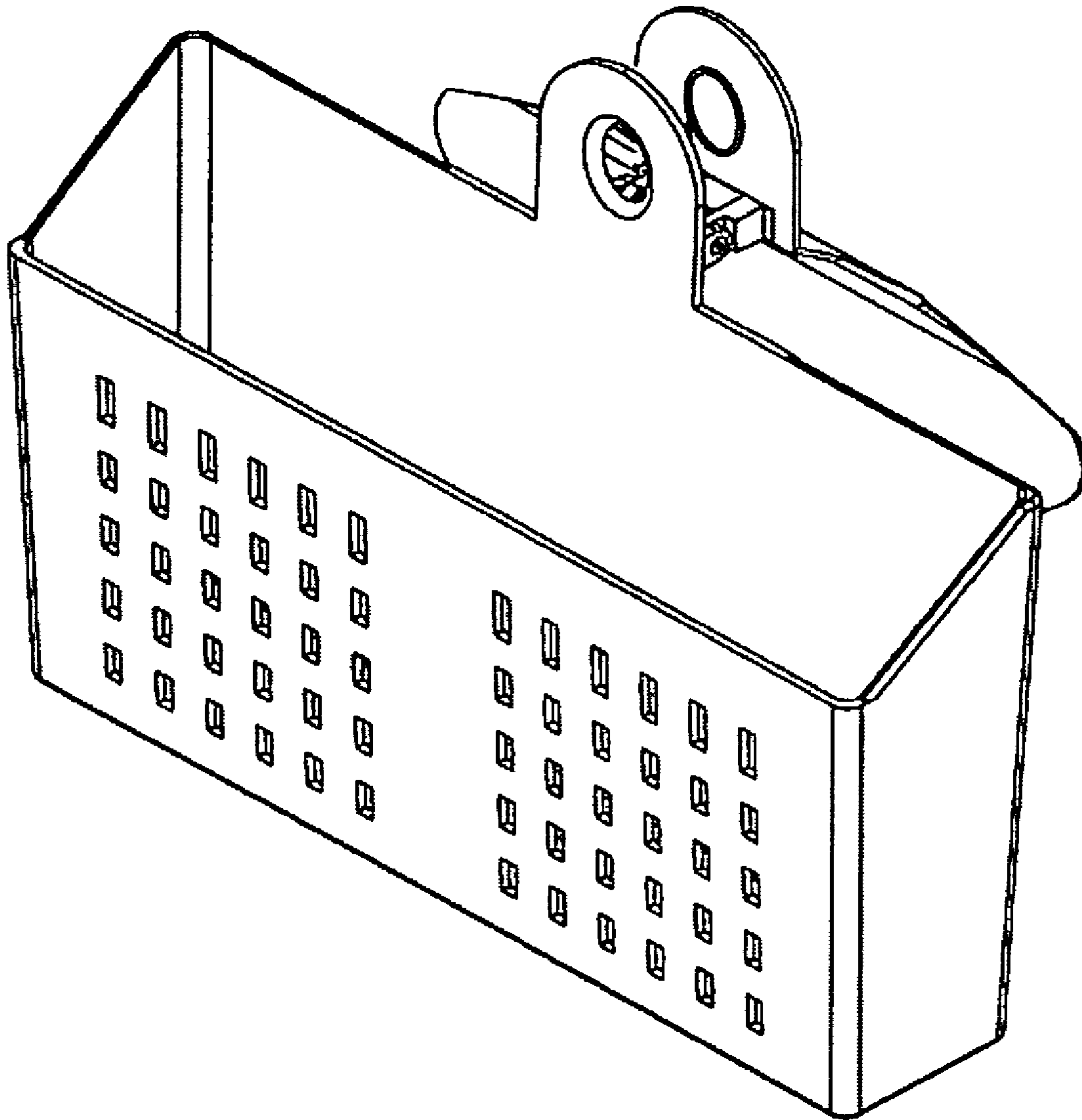


Fig. 6

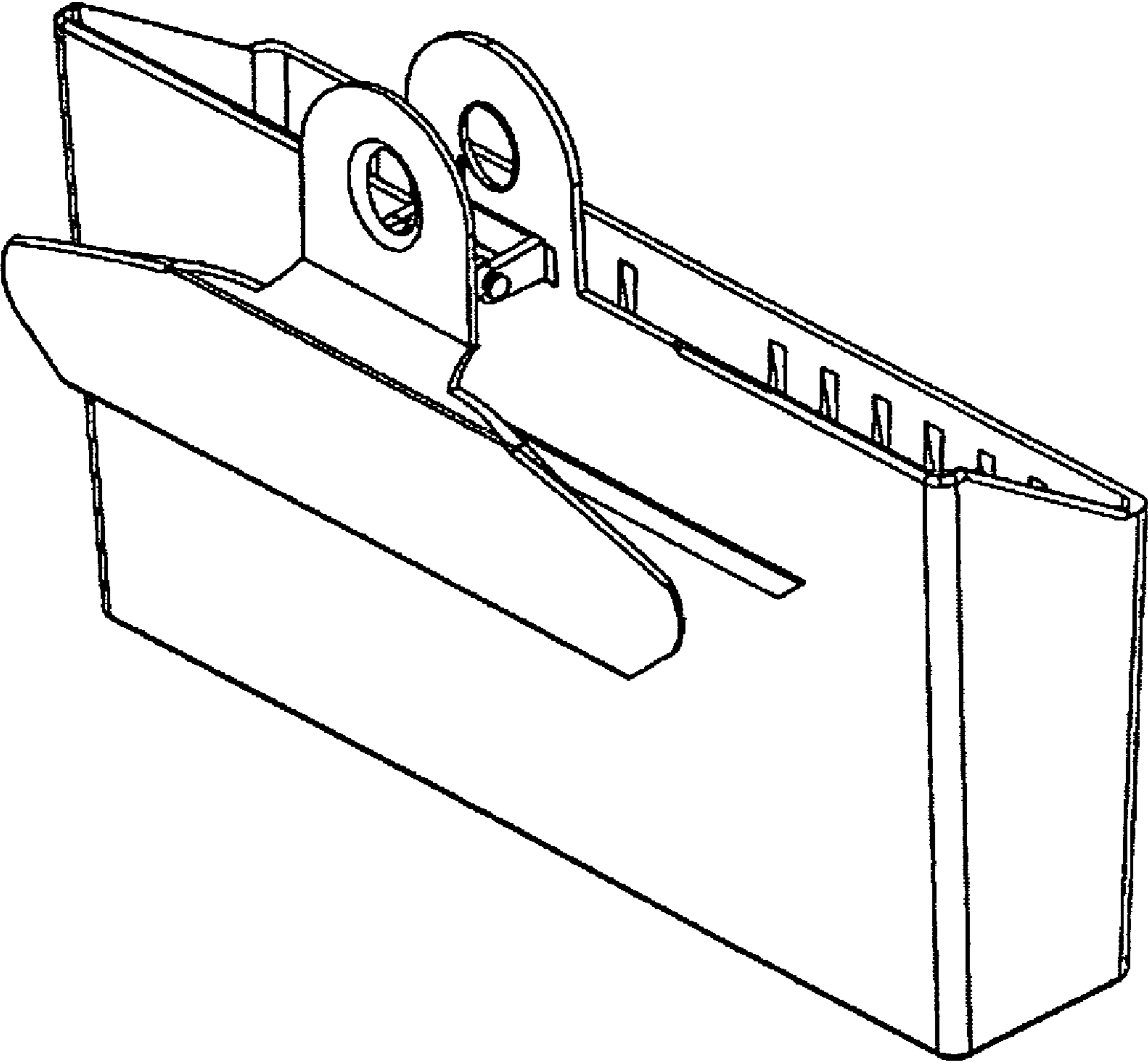


Fig. 7