

US00D669289S

(12) **United States Design Patent**
Rogers

(10) **Patent No.:** **US D669,289 S**
(45) **Date of Patent:** **** Oct. 23, 2012**

(54) **THREE-BALL DISPLAY**

(75) Inventor: **Kenneth D. Rogers**, University Park, TX
(US)

(73) Assignee: **Sportscubes, LP**, University Park, TX
(US)

(**) Term: **14 Years**

(21) Appl. No.: **29/426,562**

(22) Filed: **Jul. 6, 2012**

Related U.S. Application Data

(63) Continuation of application No. 29/405,753, filed on
Nov. 4, 2011, now Pat. No. Des. 663,144.

(51) **LOC (9) Cl.** **08-08**

(52) **U.S. Cl.** **D6/552**

(58) **Field of Classification Search** D6/329,
D6/396, 417, 552, 553, 567; D21/385, 662,
D21/698; 211/13.1, 49.1, 60.1, 64, 70.5,
211/86.01, 87.01, 88.01, 89.01, 181.1; 248/560,
248/121, 175, 200, 302, 304, 309.1, 310,
248/312

See application file for complete search history.

(56) **References Cited**

U.S. PATENT DOCUMENTS

D247,272	S	*	2/1978	Putt et al.	D6/552
D346,520	S	*	5/1994	Barfield	D6/552
D363,184	S	*	10/1995	Elhage	D6/552
D386,925	S	*	12/1997	Hogan	D6/552
5,746,332	A	*	5/1998	Kleinschmidt	D6/552
5,871,092	A		2/1999	Rogers et al.		
D425,352	S	*	5/2000	Paskan	D6/552
D457,371	S	*	5/2002	Grassman	D6/552
D475,879	S	*	6/2003	Thomas	D6/552
D498,502	S		11/2004	Duke		
D544,727	S	*	6/2007	Valdez et al.	D6/552
D604,546	S	*	11/2009	Alman et al.	D6/552

* cited by examiner

Primary Examiner — Brian N Vinson

(74) *Attorney, Agent, or Firm* — Cox Smith Matthews
Incorporated

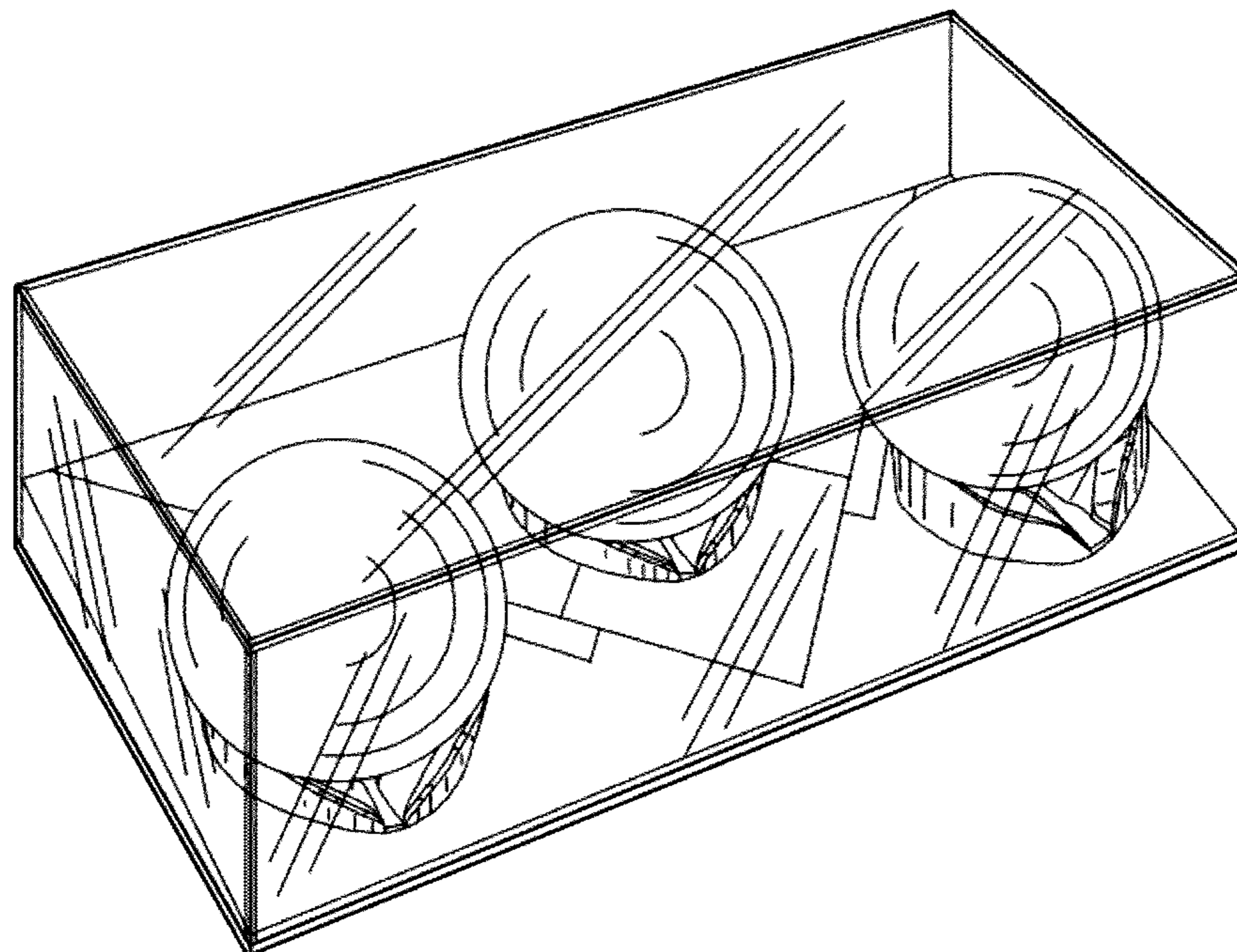
(57) **CLAIM**

The ornamental design for a three-ball display, as shown and
described.

DESCRIPTION

FIG. 1 is a top view of the design;
FIG. 2 is a front view thereof;
FIG. 3 is a right side view thereof;
FIG. 4 is a back view thereof;
FIG. 5 is a left side view thereof;
FIG. 6 is a bottom view thereof; and,
FIG. 7 is a perspective view thereof.

1 Claim, 3 Drawing Sheets



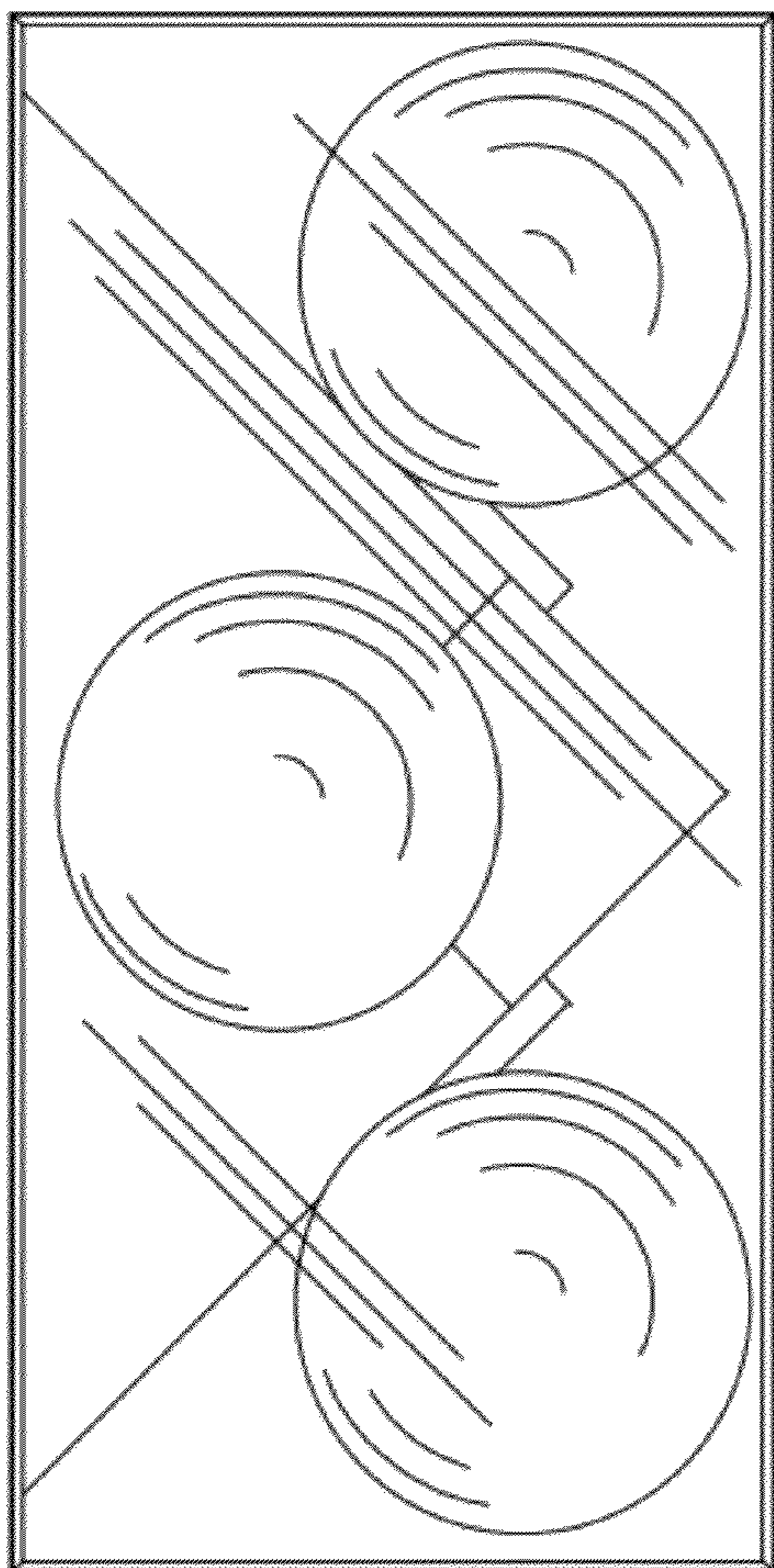


Fig. 1

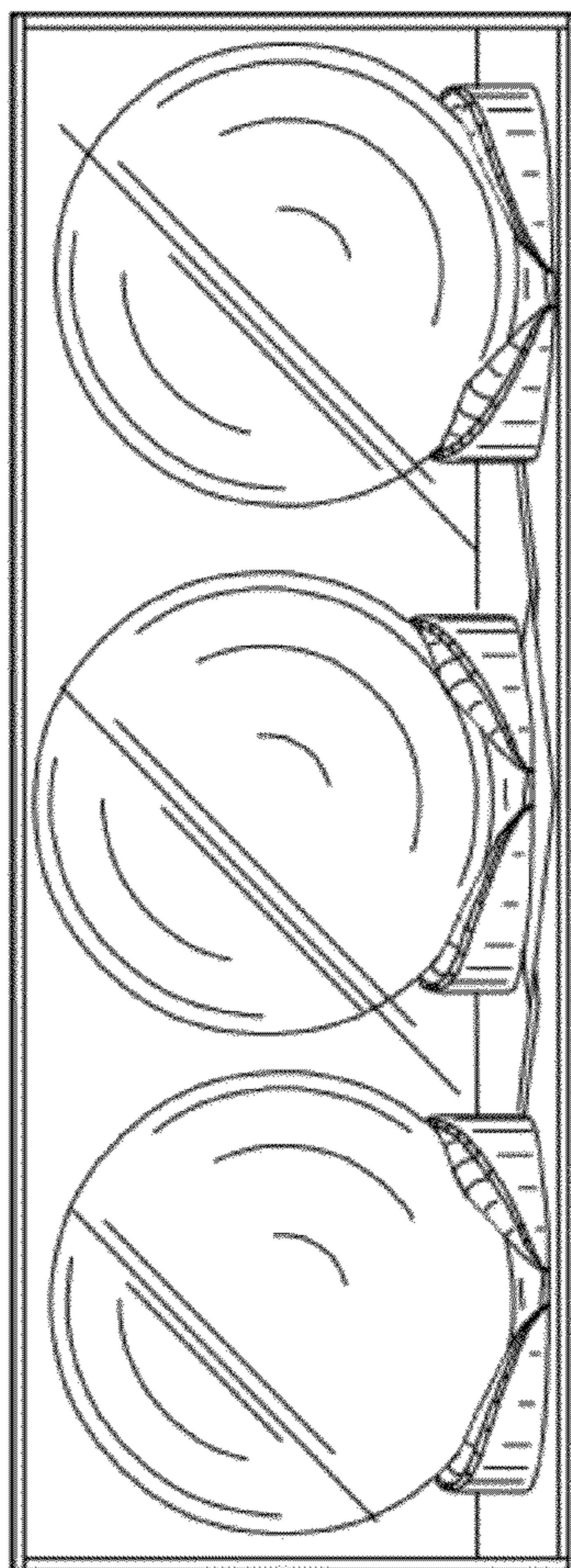


Fig. 2

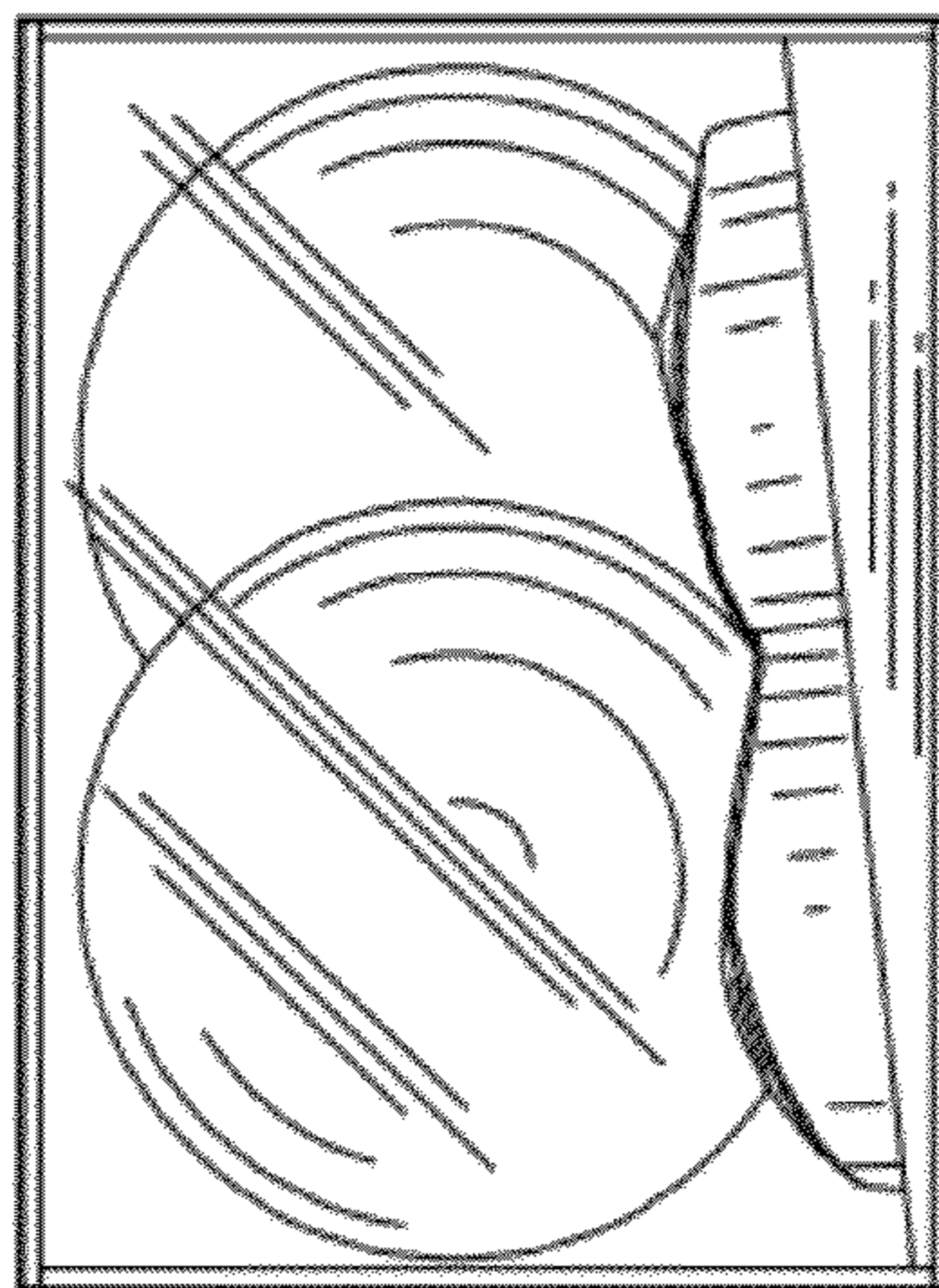


Fig. 3

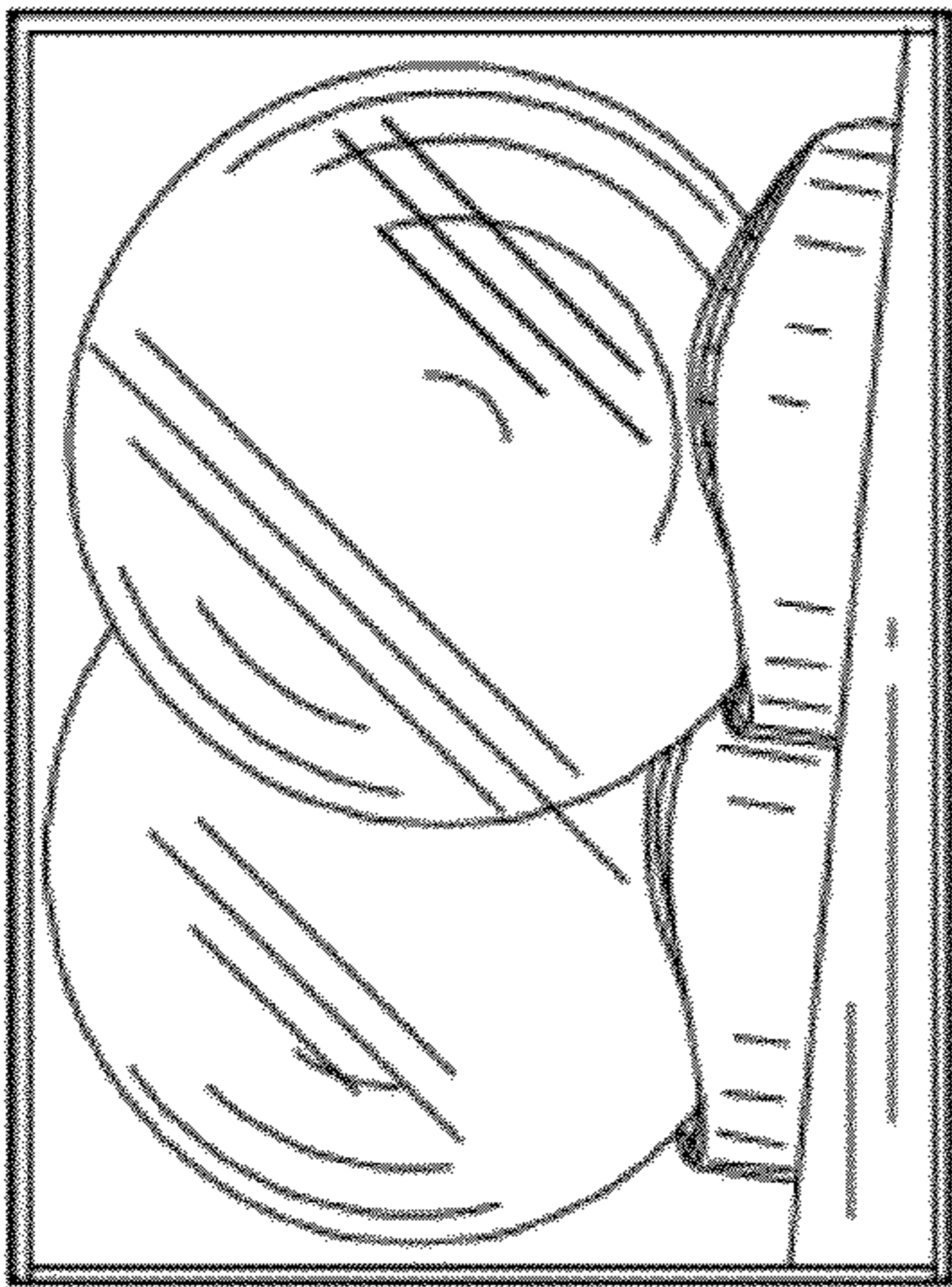


Fig. 5

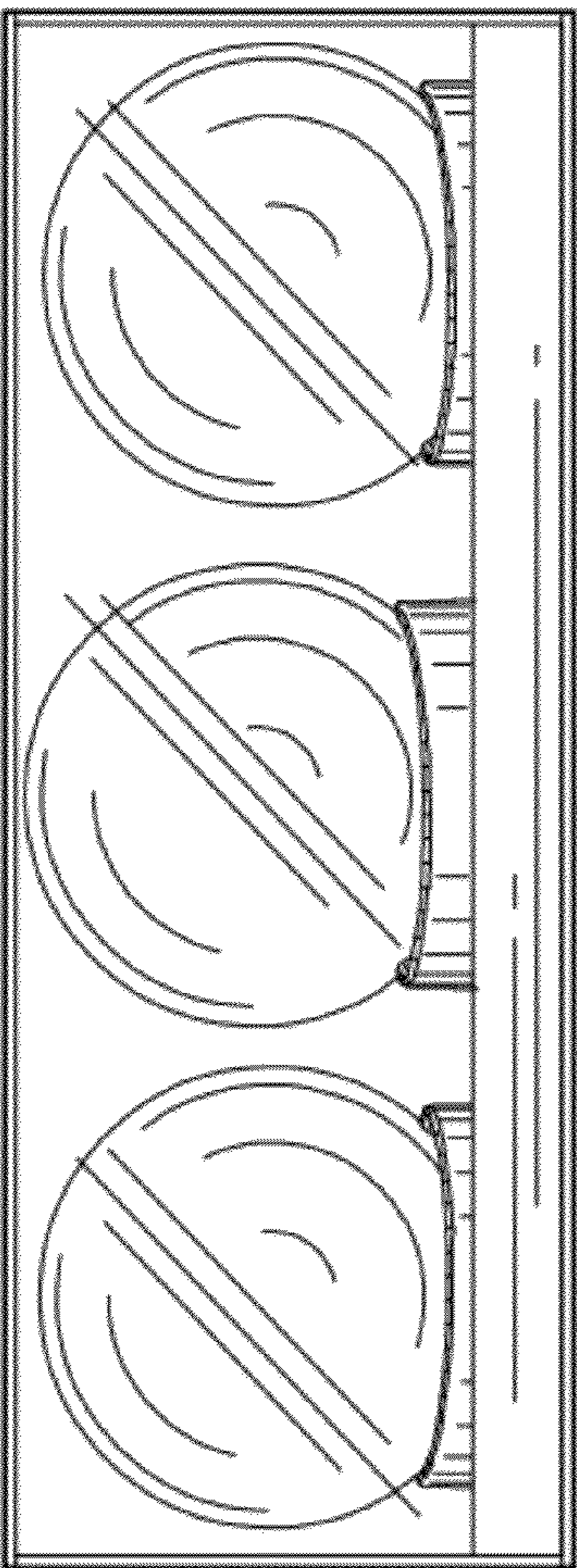


Fig. 4

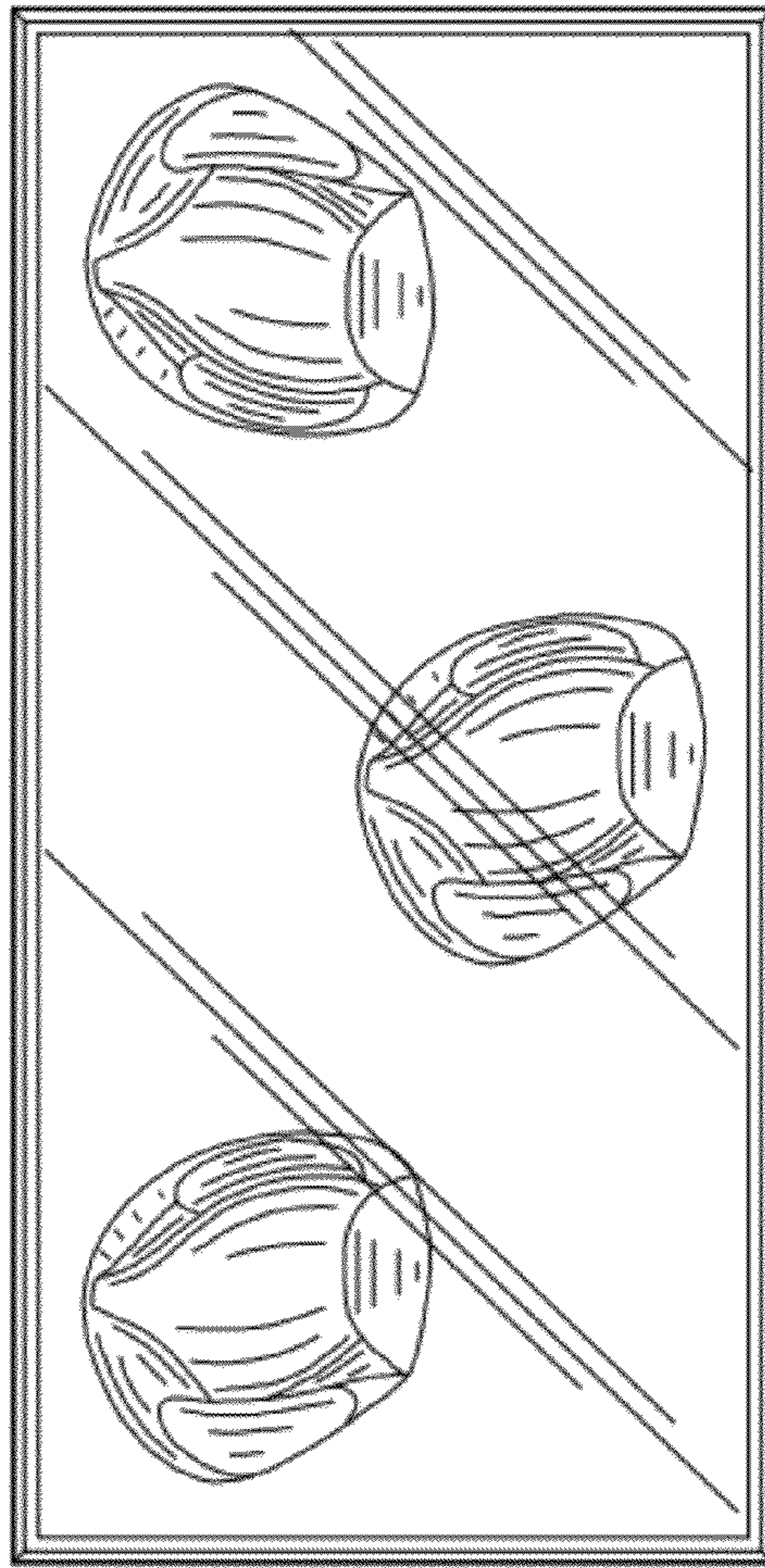


Fig. 6

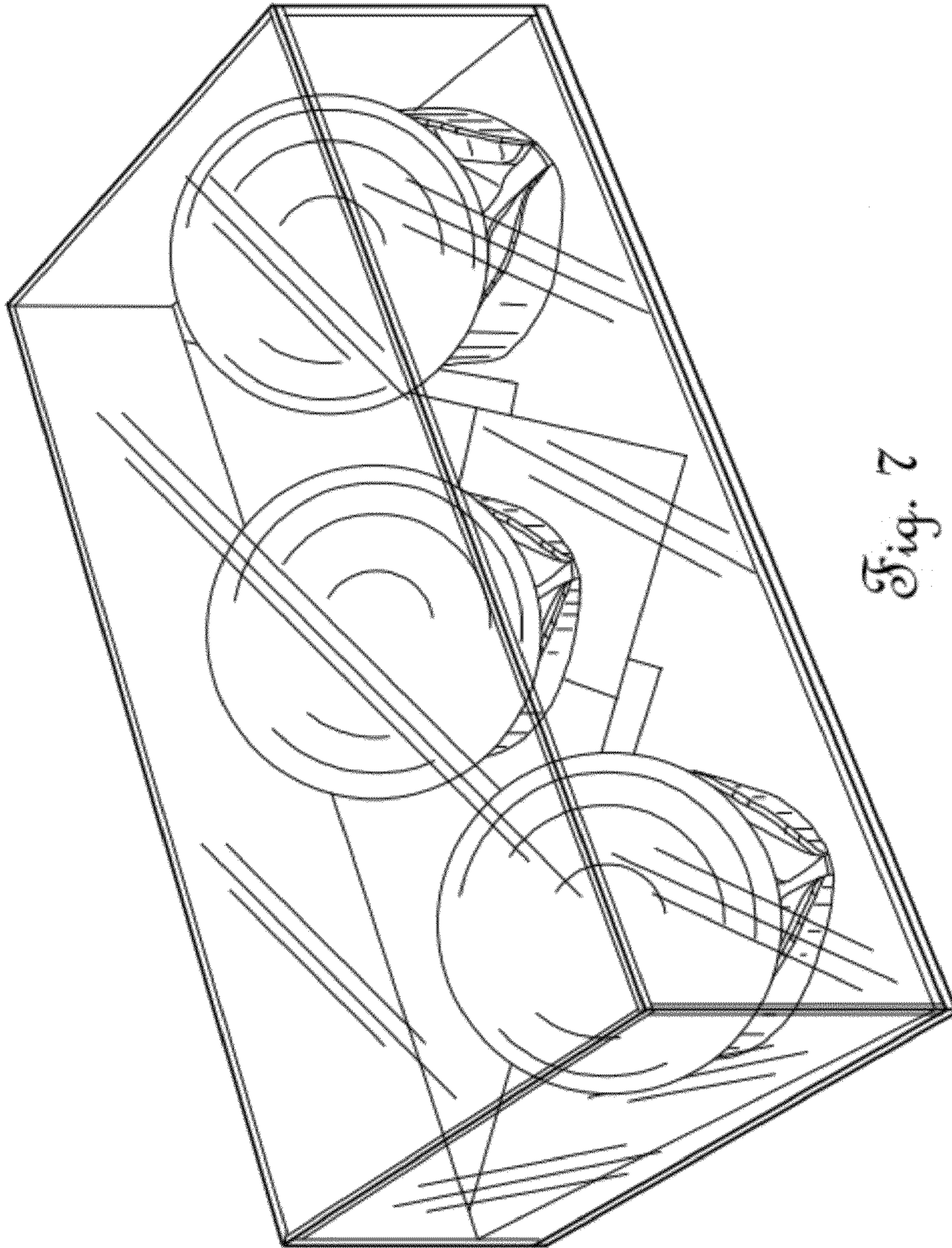


Fig. 2