

US00D669286S

(12) **United States Design Patent**
Pan

(10) **Patent No.:** **US D669,286 S**

(45) **Date of Patent:** **** Oct. 23, 2012**

(54) **BACKREST HOLDER FOR A CHAIR**

(75) **Inventor:** **Toung-Chun Pan**, Tainan (TW)

(73) **Assignee:** **Oasyschair Co., Ltd.**, Tainan (TW)

(**) **Term:** **14 Years**

(21) **Appl. No.:** **29/412,230**

(22) **Filed:** **Feb. 1, 2012**

(51) **LOC (9) Cl.** **06-01**

(52) **U.S. Cl.** **D6/502**

(58) **Field of Classification Search** D6/334-336,
D6/364, 365, 366, 367, 369, 374, 379, 380,
D6/500-502; 297/284.4, 300.2, 452.13,
297/452.18, 452.29, 452.3, 452.56, 452.64
See application file for complete search history.

(56) **References Cited**

U.S. PATENT DOCUMENTS

D558,994 S *	1/2008	Machael et al.	D6/366
D570,624 S *	6/2008	Kang	D6/500
D596,885 S *	7/2009	Su	D6/502
D597,349 S *	8/2009	Wilkinson et al.	D6/502

D607,653 S *	1/2010	Wilkinson et al.	D6/366
D613,086 S *	4/2010	Fujita	D6/366
D613,088 S *	4/2010	Fujita	D6/366
D652,646 S *	1/2012	Fujita	D6/366
D654,280 S *	2/2012	Fujita	D6/366

* cited by examiner

Primary Examiner — Mimosa De

(74) *Attorney, Agent, or Firm* — Alan Kamrath; Kamrath IP Lawfirm, PA

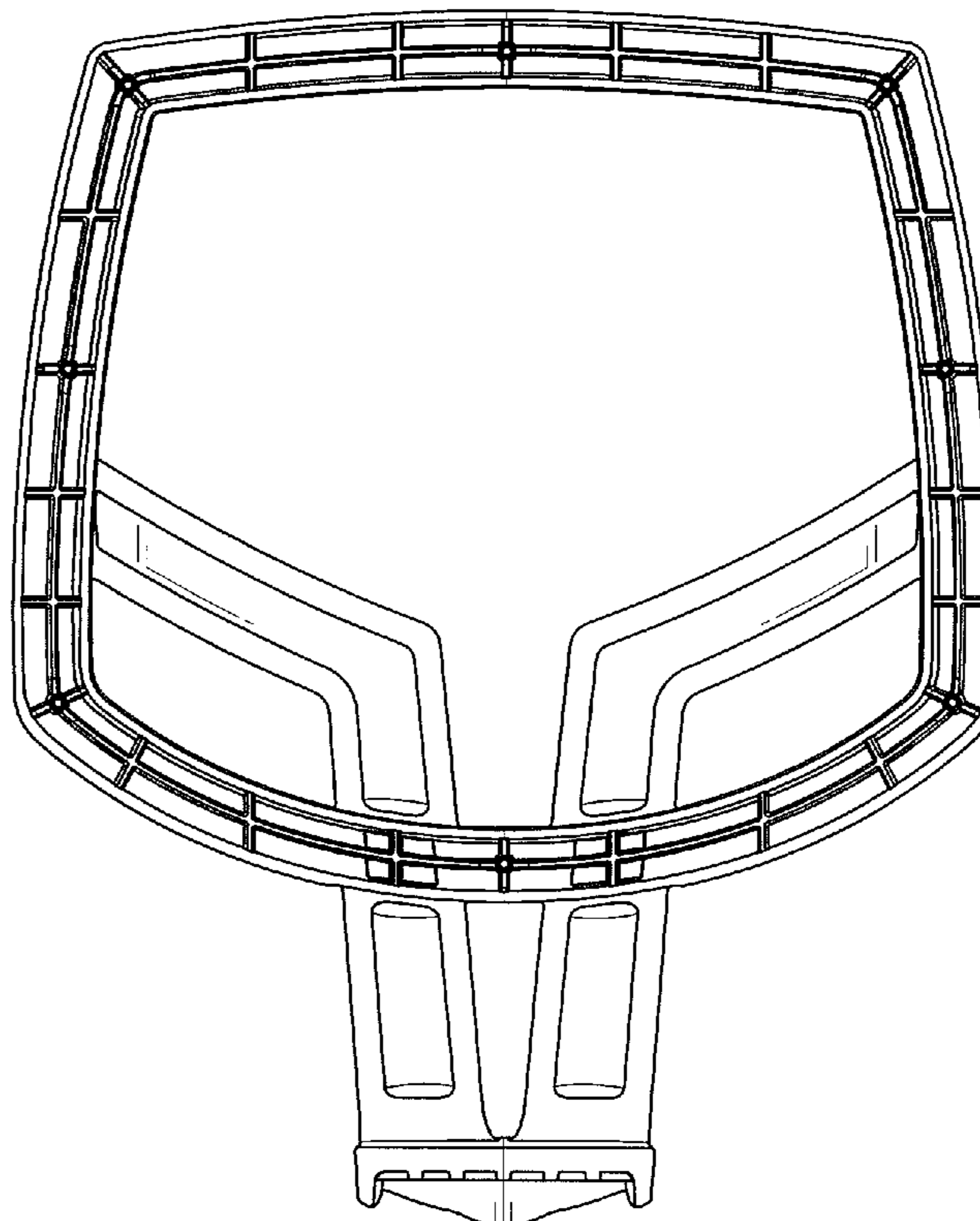
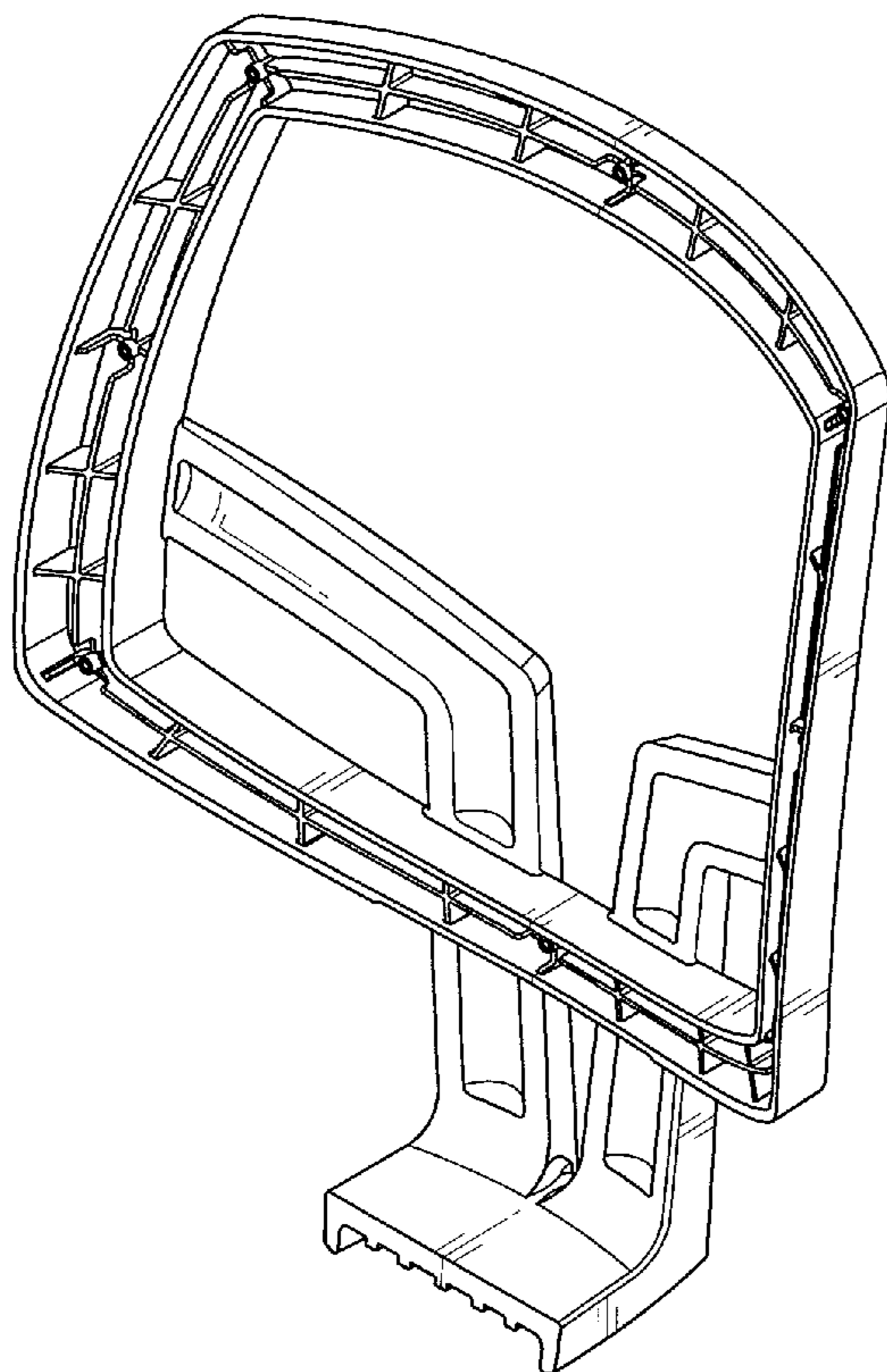
(57) **CLAIM**

The ornamental design for a backrest holder for a chair, as shown and described.

DESCRIPTION

FIG. 1 is a perspective view of a backrest holder for a chair showing my new design;
FIG. 2 is a front side elevational view thereof;
FIG. 3 is a rear side elevational view thereof;
FIG. 4 is a left side elevational view thereof;
FIG. 5 is a right side elevational view thereof;
FIG. 6 is a top plan view thereof; and,
FIG. 7 is a bottom plan view thereof.

1 Claim, 5 Drawing Sheets



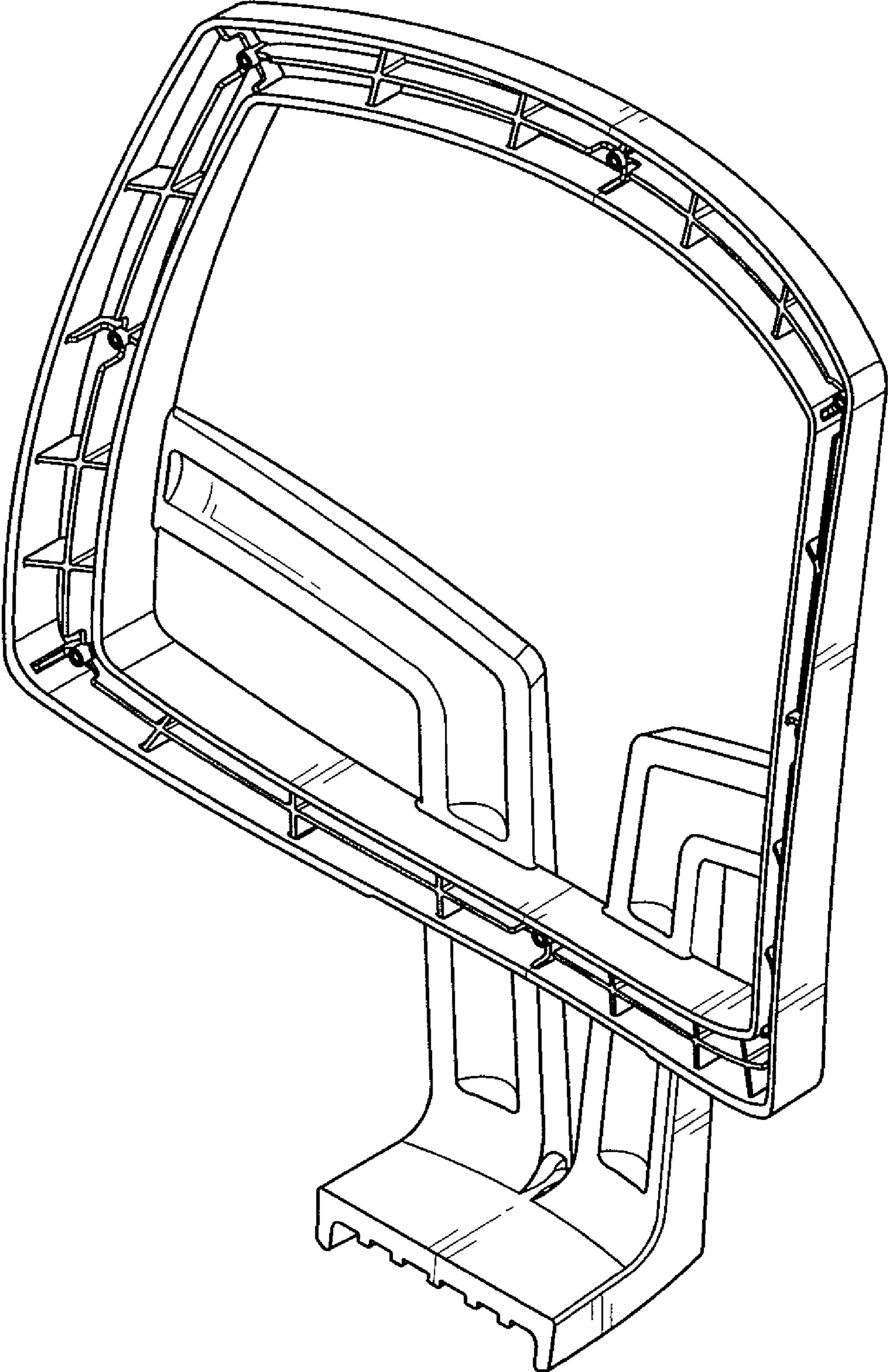


FIG. 1

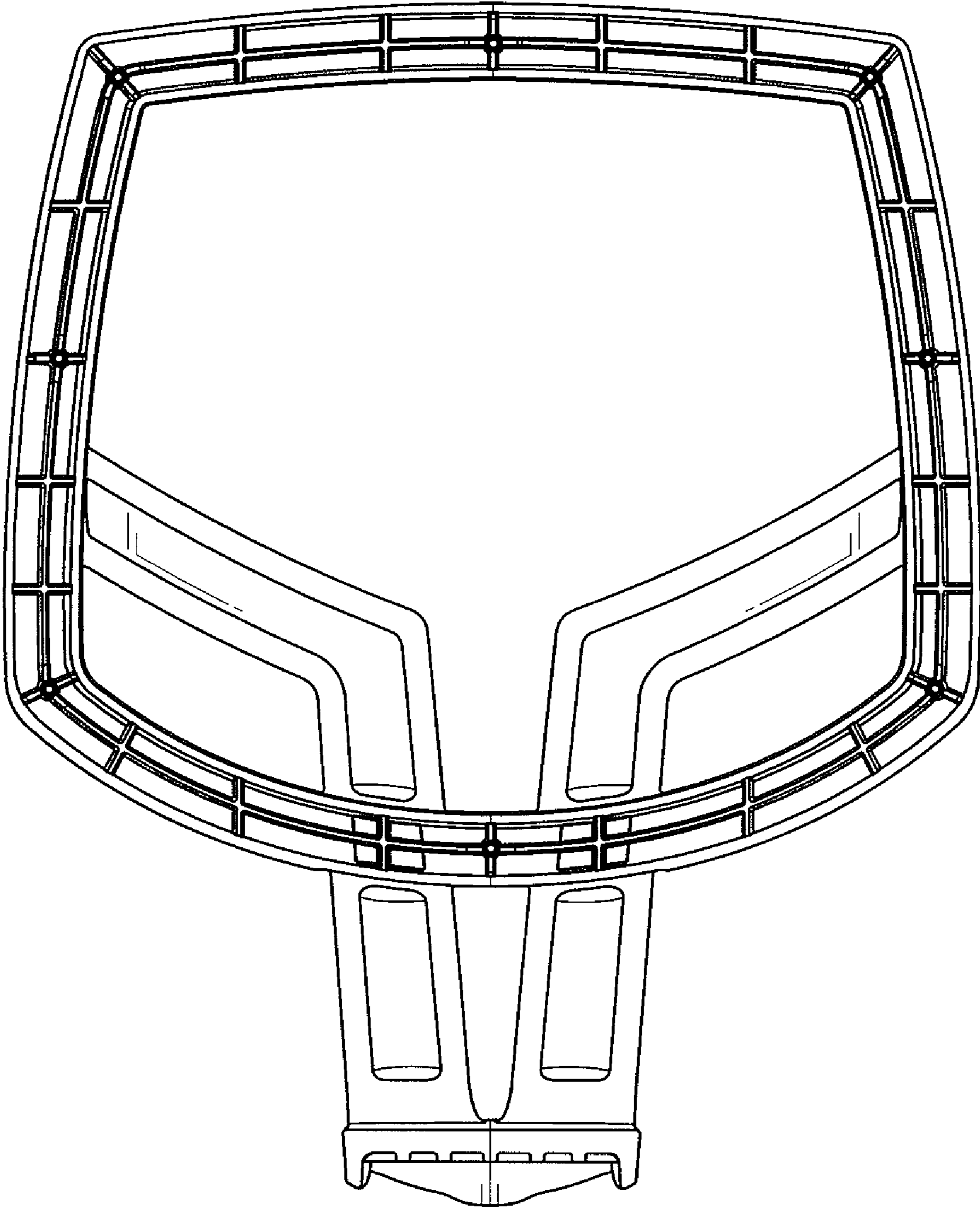


FIG. 2

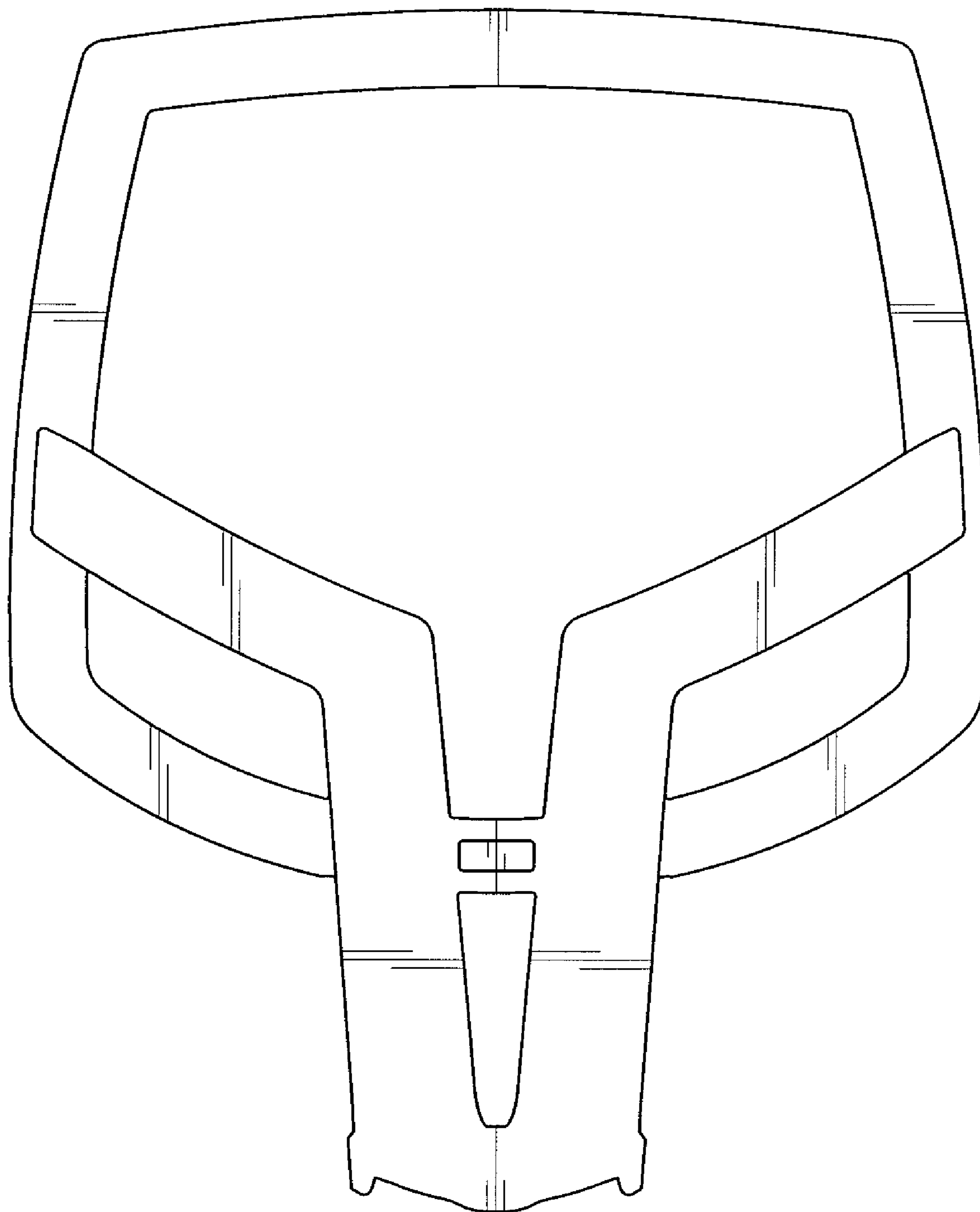


FIG. 3

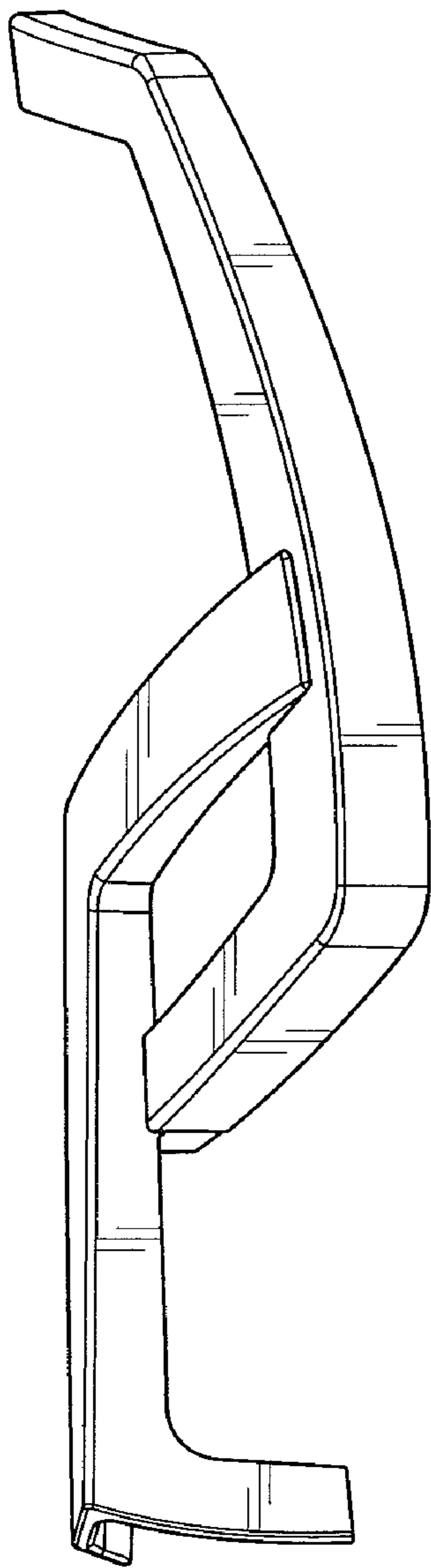


FIG. 4

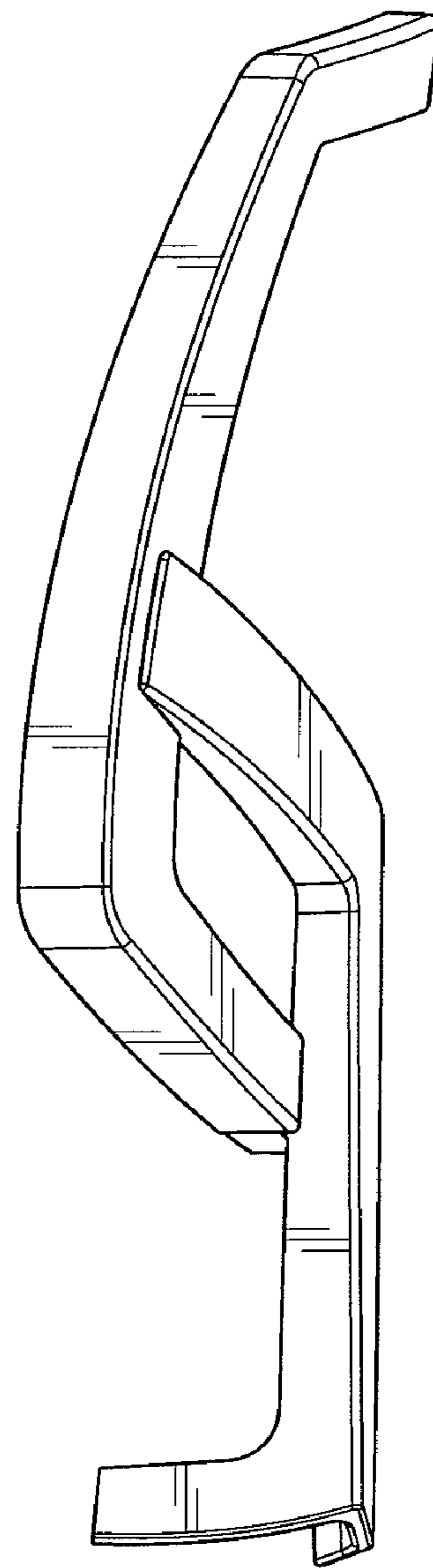


FIG. 5

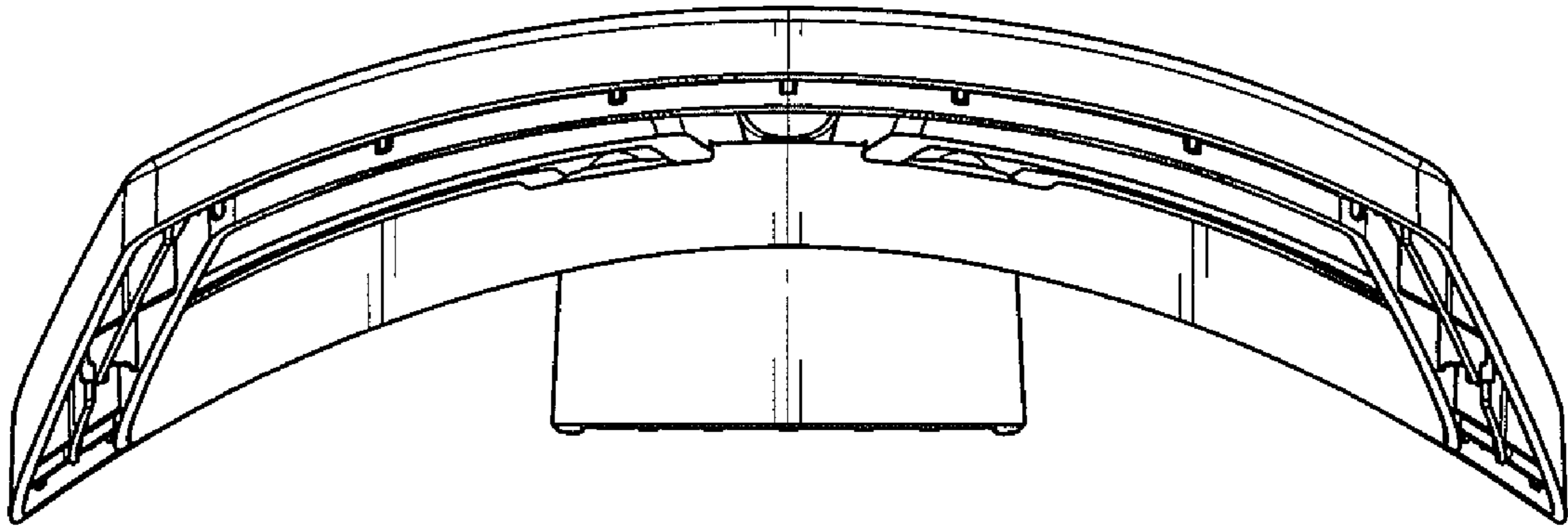


FIG. 6

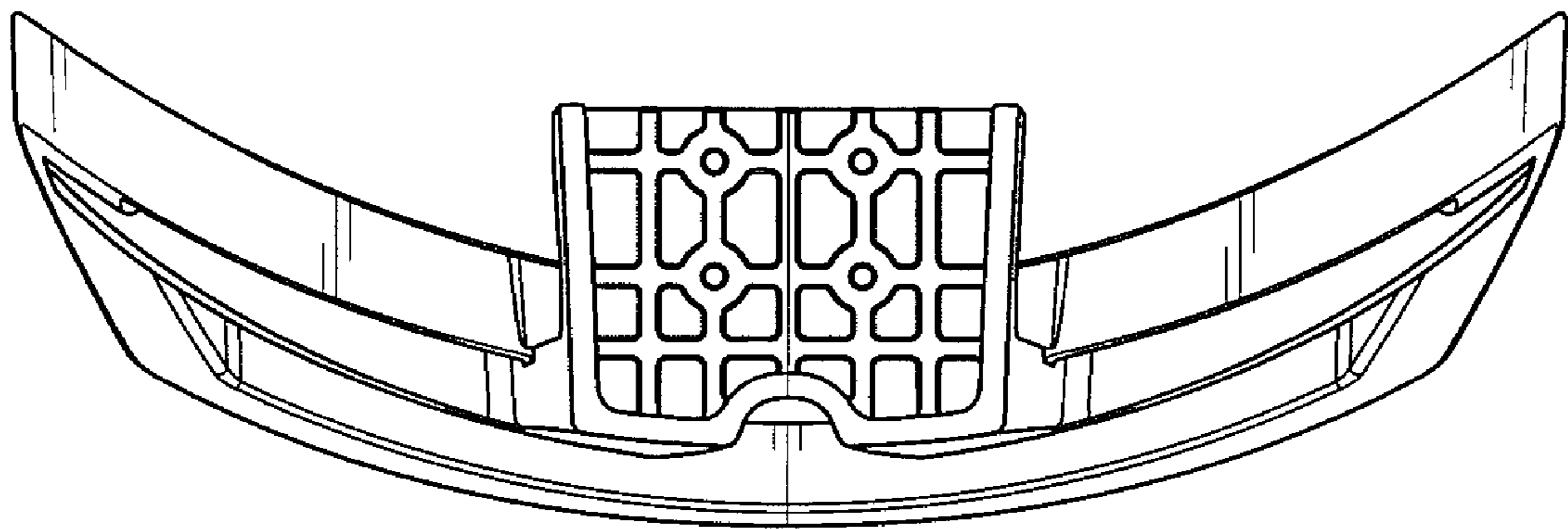


FIG. 7