

US00D669280S

(12) **United States Design Patent**  
**Andersson**

(10) **Patent No.:** **US D669,280 S**

(45) **Date of Patent:** **\*\* Oct. 23, 2012**

(54) **CHAIR**

(75) Inventor: **Hans Rutger Andersson**, Varberg (SE)

(73) Assignee: **W. K. Wu Products Inc.**, New Taipei (TW)

(\*\*) Term: **14 Years**

(21) Appl. No.: **29/422,204**

(22) Filed: **May 17, 2012**

(51) **LOC (9) Cl.** ..... **06-01**

(52) **U.S. Cl.** ..... **D6/379**

(58) **Field of Classification Search** ..... D6/334-336,  
D6/351, 352, 353, 358, 364, 365, 366, 372,  
D6/376, 379, 380, 500-502; 297/181, 411.4,  
297/411.41, 411.42, 452.2, 452.41

See application file for complete search history.

(56) **References Cited**

**U.S. PATENT DOCUMENTS**

5,690,389	A *	11/1997	Ekman et al.	.....	297/452.41
D406,198	S *	3/1999	Lin et al.	.....	D6/379
6,070,943	A *	6/2000	Guery-Strahm	.....	297/452.41
D433,832	S *	11/2000	Pizarro	.....	D6/365
D434,576	S *	12/2000	Manoukian	.....	D6/372
6,520,578	B1 *	2/2003	Jospa et al.	.....	297/452.41

D471,025	S *	3/2003	Chiu	.....	D6/366
D471,371	S *	3/2003	Chiu	.....	D6/366
6,702,388	B1 *	3/2004	Chiu	.....	297/452.41
6,832,817	B1 *	12/2004	Chiu	.....	297/452.41
D503,553	S *	4/2005	Chiu	.....	D6/352
7,044,558	B2 *	5/2006	Chiu	.....	297/452.41
7,140,677	B1 *	11/2006	Chiu	.....	297/181
D536,542	S *	2/2007	Chiu	.....	D6/352

\* cited by examiner

*Primary Examiner* — Mimosa De

(74) *Attorney, Agent, or Firm* — Muncy, Geissler, Olds & Lowe, PLLC

(57) **CLAIM**

I claim the ornamental design for a chair, as shown and described.

**DESCRIPTION**

FIG. 1 is a perspective view of a chair showing the design.

FIG. 2 is a front elevation view thereof.

FIG. 3 is a rear elevation view thereof.

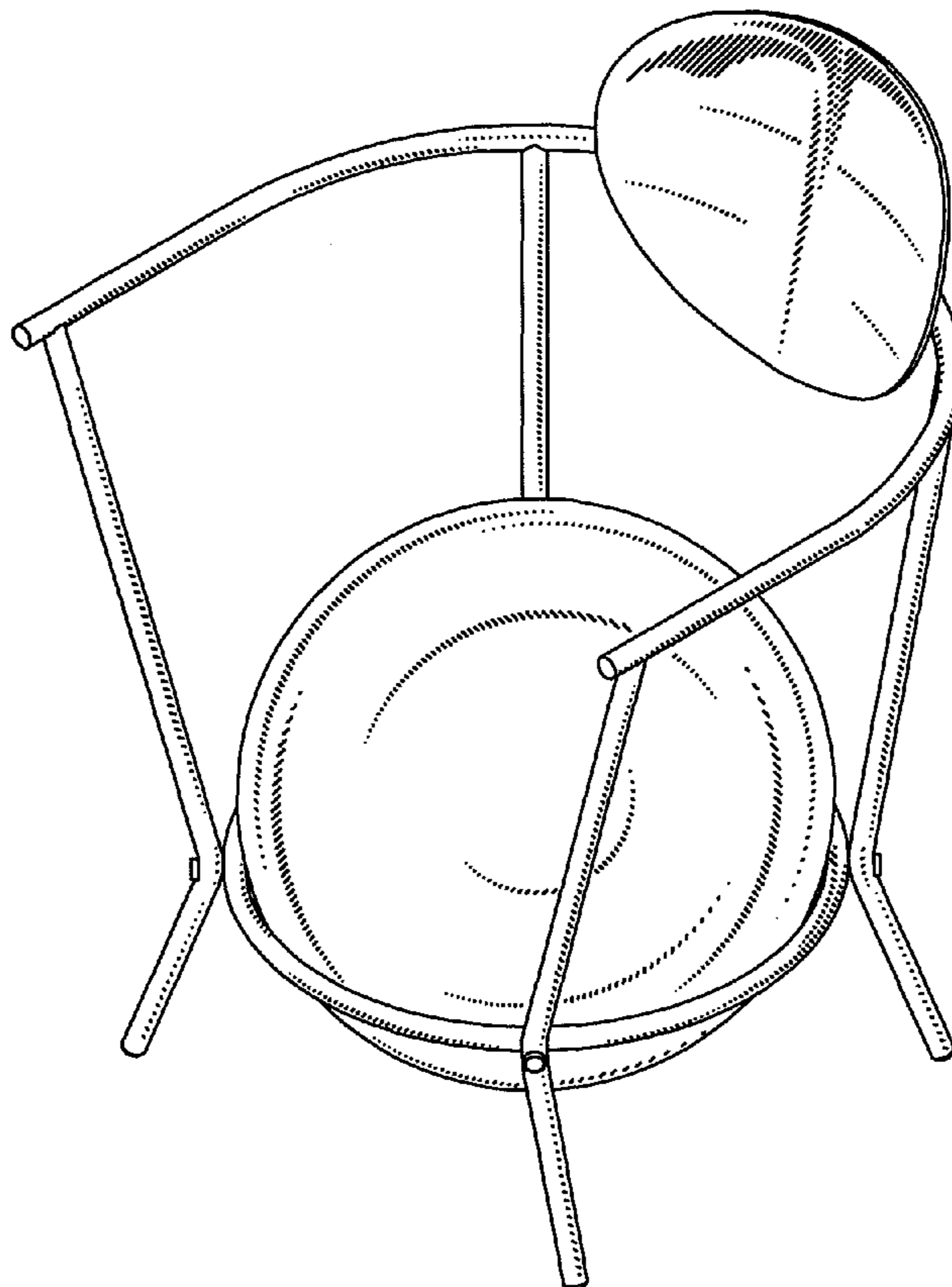
FIG. 4 is a left side elevation view thereof.

FIG. 5 is a right side elevation view thereof.

FIG. 6 is a top plan view thereof; and,

FIG. 7 is a bottom plan view thereof.

**1 Claim, 4 Drawing Sheets**



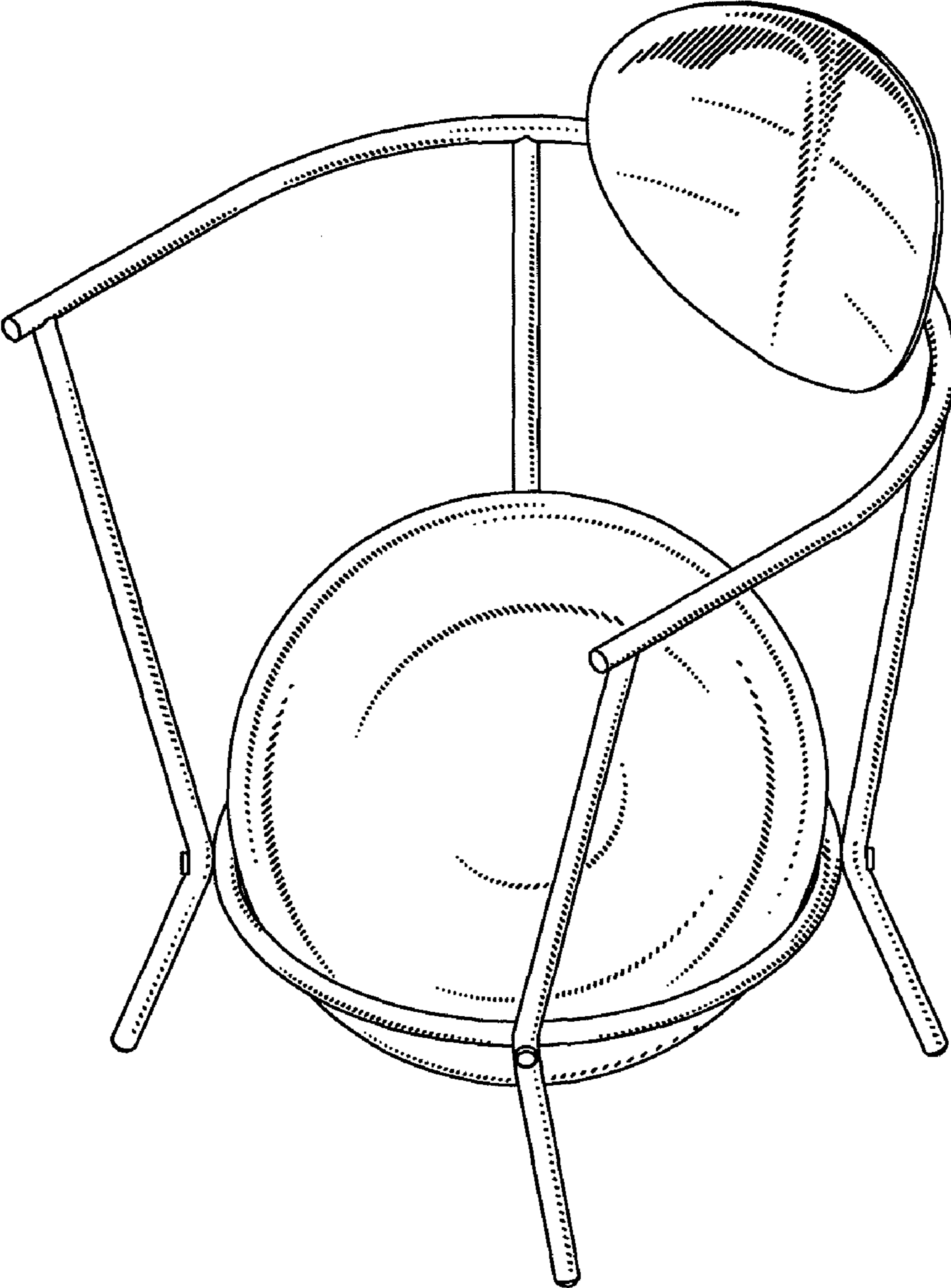


FIG. 1

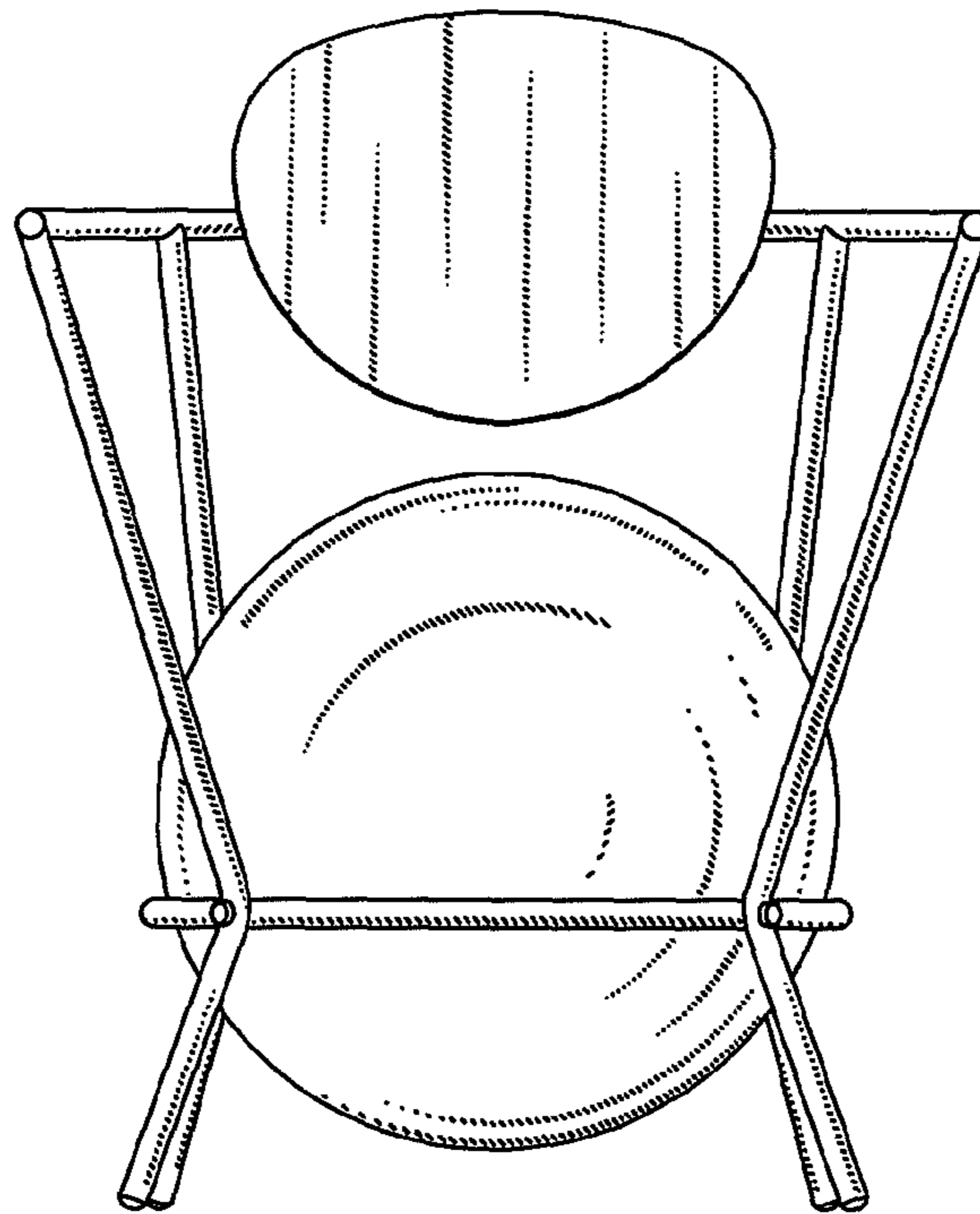


FIG. 2

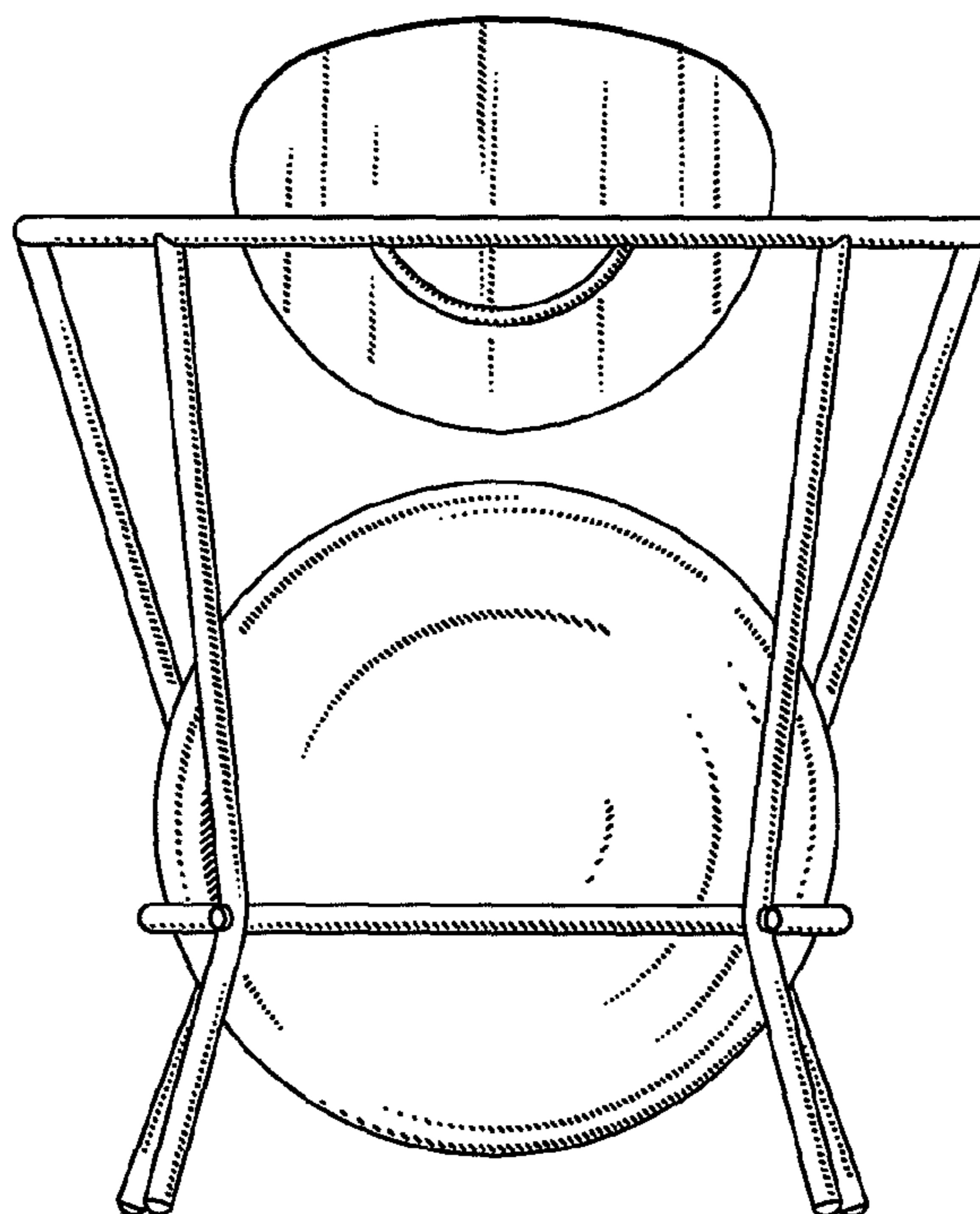


FIG. 3

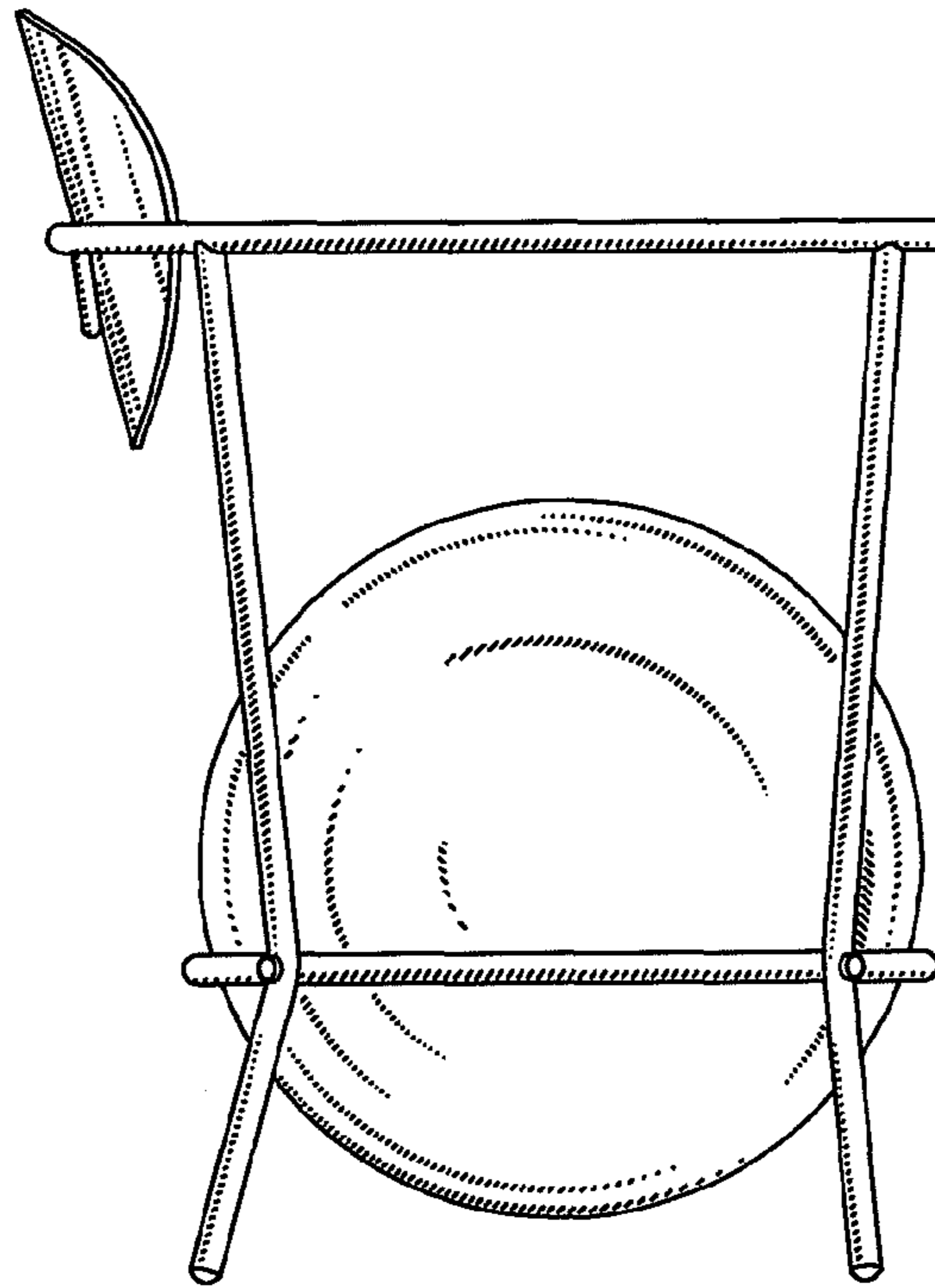


FIG. 4

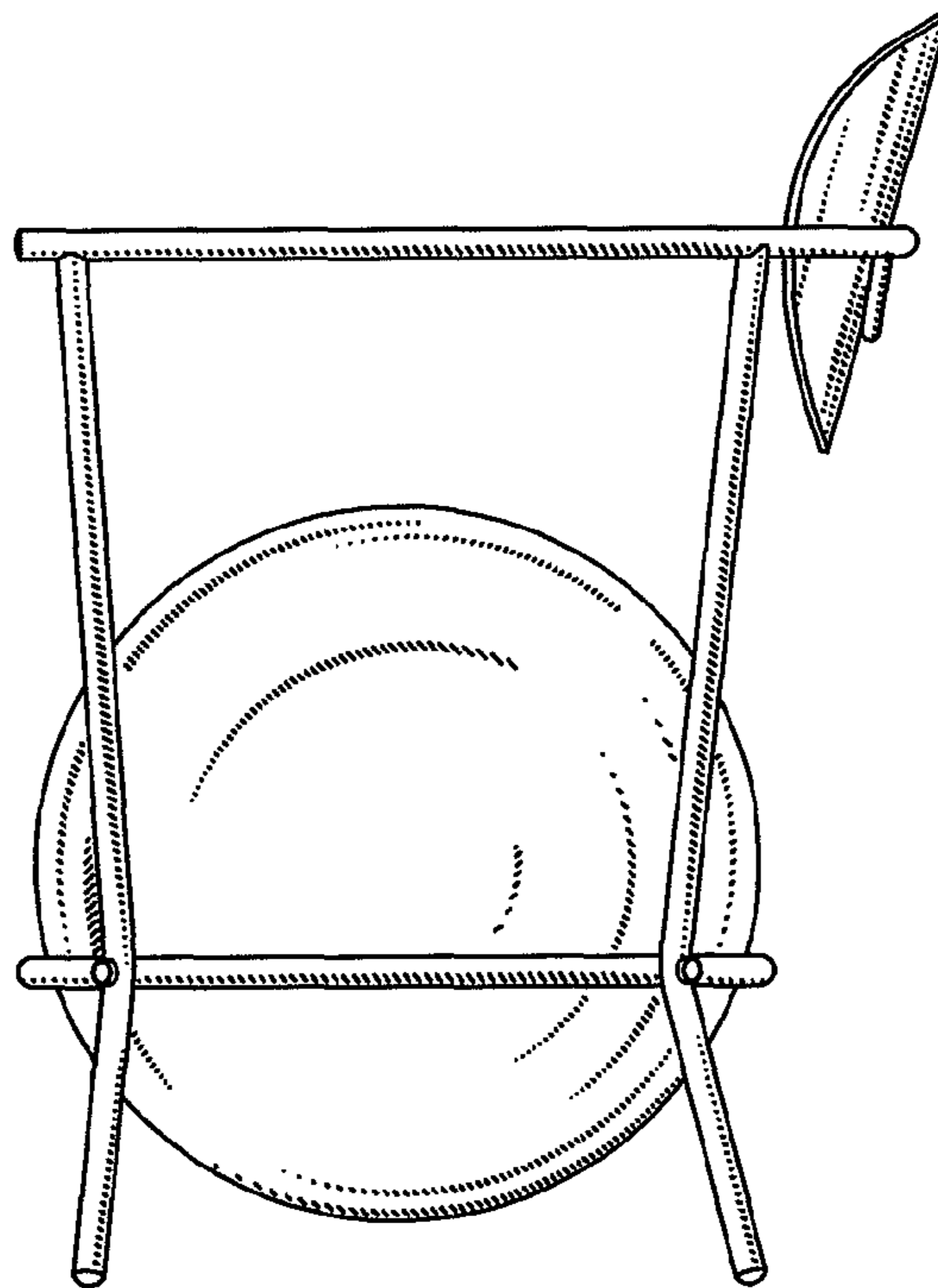


FIG. 5



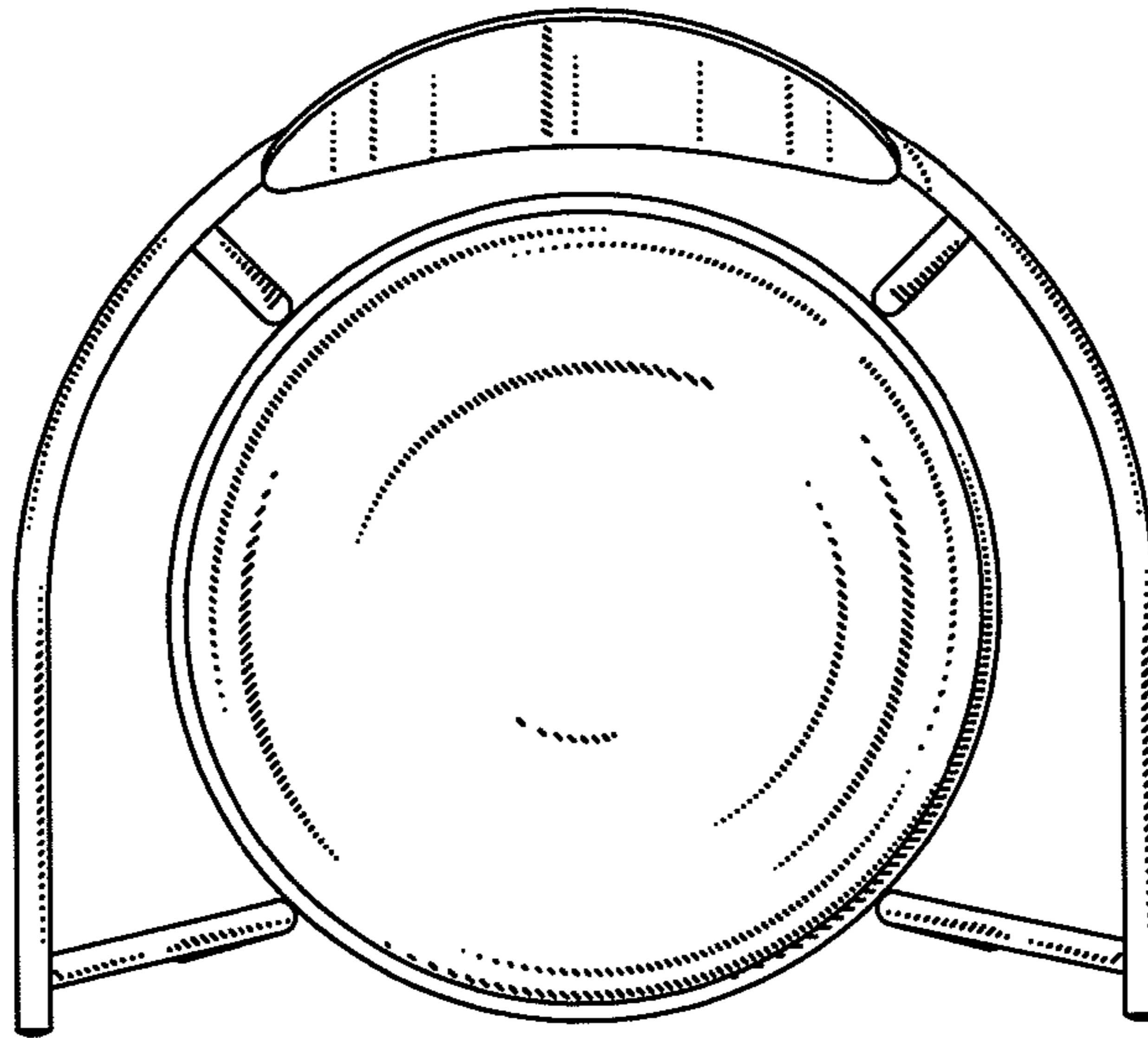


FIG. 6

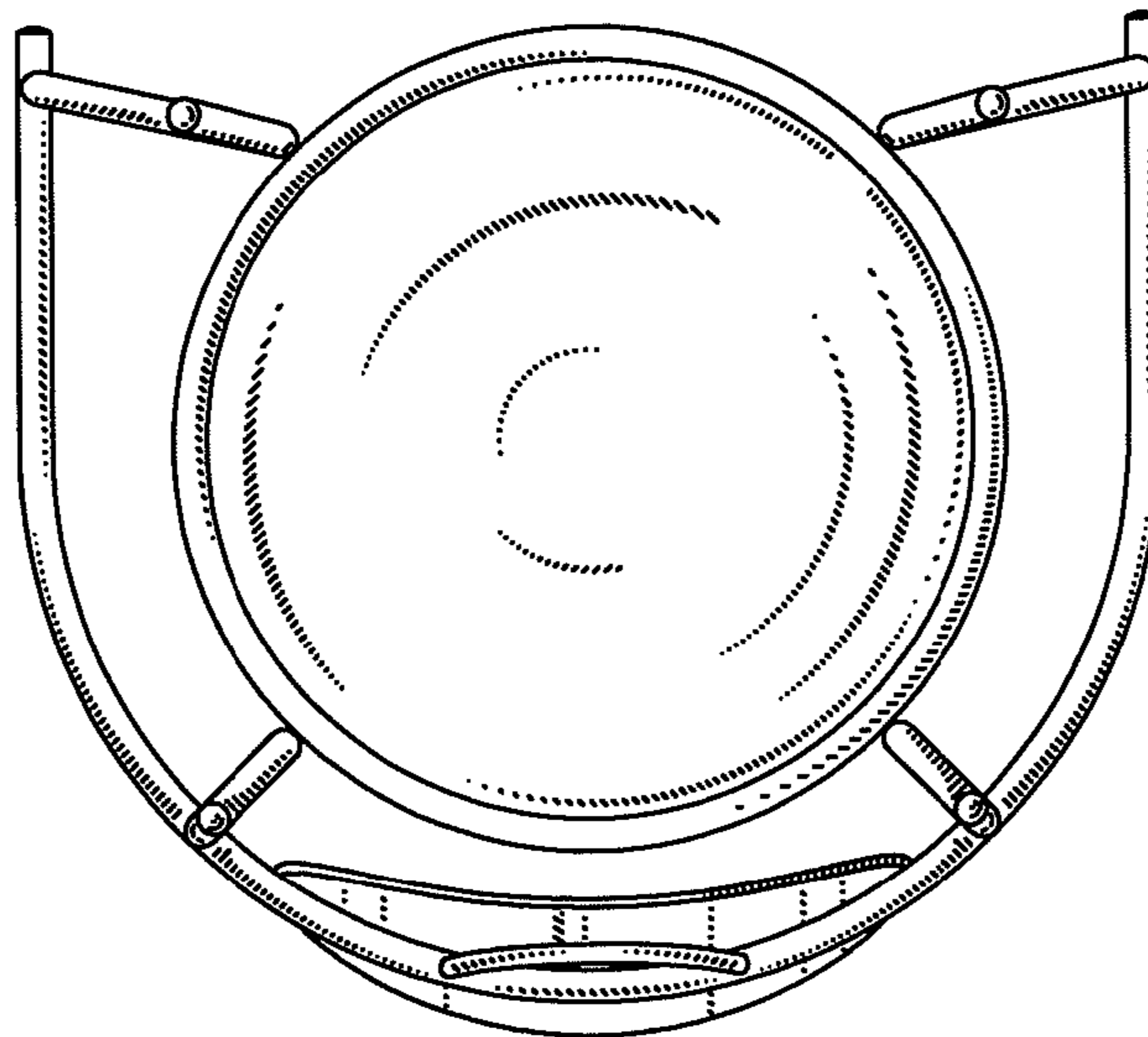


FIG. 7