

US00D669279S

(12) **United States Design Patent**
Eldøy

(10) **Patent No.:** **US D669,279 S**
(45) **Date of Patent:** **** Oct. 23, 2012**

(54) **CHAIR**

(75) Inventor: **Olav Eldøy**, Sagvaag (NO)

(73) Assignee: **Varier Furniture AS** (NO)

(**) Term: **14 Years**

(21) Appl. No.: **29/418,629**

(22) Filed: **Apr. 18, 2012**

(51) **LOC (9) Cl.** **06-01**

(52) **U.S. Cl.** **D6/375**

(58) **Field of Classification Search** D6/334-336,
D6/369, 371-373, 374, 375, 376, 379, 380,
D6/500-502; 297/445.1, 446.1, 452.12,
297/452.14, 452.19, 452.21, DIG. 2
See application file for complete search history.

(56) **References Cited**

U.S. PATENT DOCUMENTS

D170,791 S	*	11/1953	Bertoia	D6/375
D182,790 S	*	5/1958	Cohen	D6/375
D255,184 S	*	6/1980	Locher	D6/375
D417,795 S	*	12/1999	Rashid	D6/375
D510,668 S	*	10/2005	Eldøy	D6/375

* cited by examiner

Primary Examiner — Mimosa De

(74) *Attorney, Agent, or Firm* — Kolisch Hartwell, P.C.

(57) **CLAIM**

I claim the ornamental design for a chair, as shown and described.

DESCRIPTION

FIG. 1 is an isometric view of a chair according to an embodiment of the present invention.

FIG. 2 is a front elevation view of the chair of FIG. 1.

FIG. 3 is a right side elevation view of the chair of FIG. 1.

FIG. 4 is a rear elevation view of the chair of FIG. 1.

FIG. 5 is a top view of the chair of FIG. 1; and,

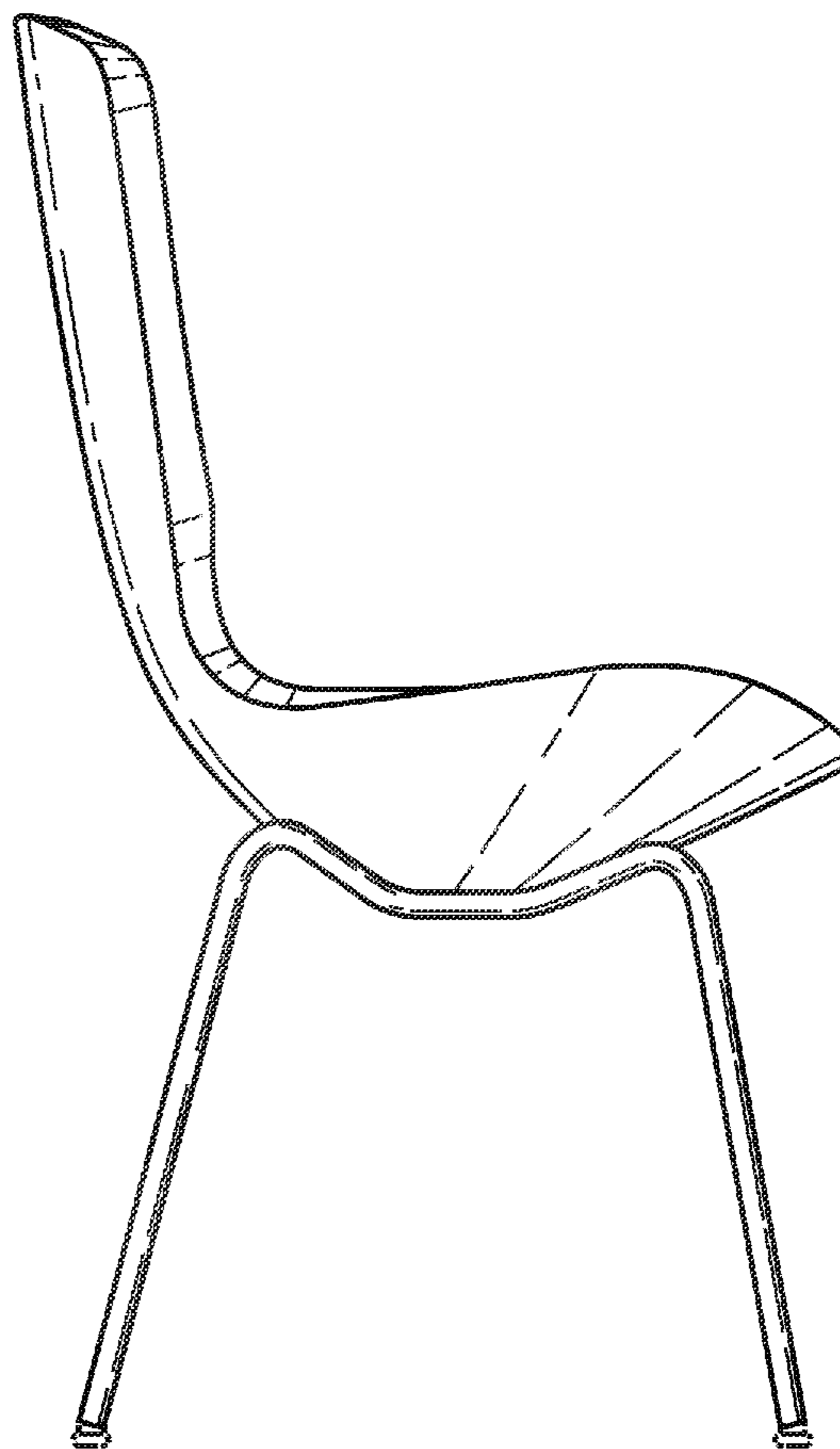
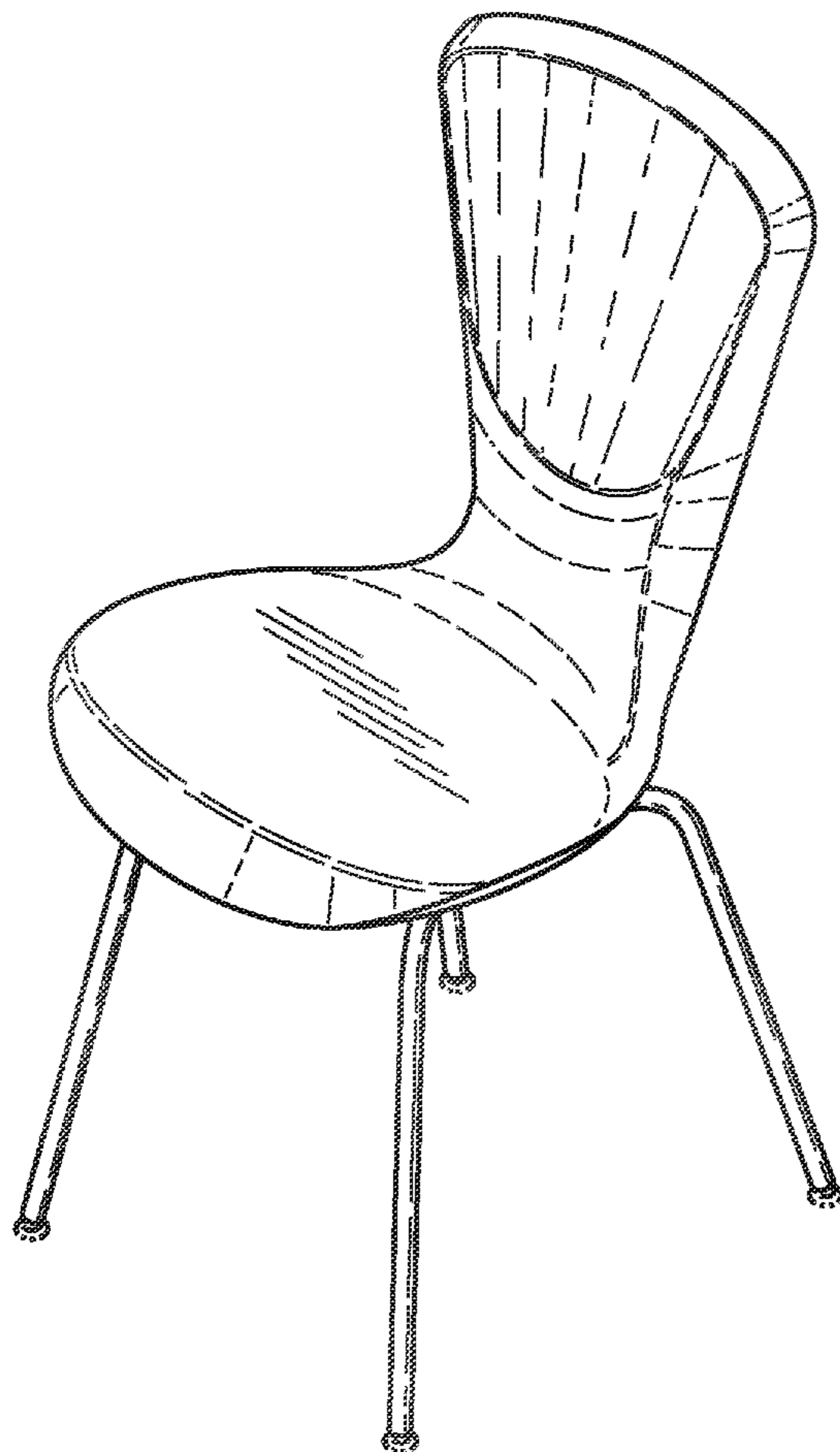
FIG. 6 is a bottom view of the chair of FIG. 1.

The dot dot dash lines shown in the above figures are for illustrative purposes and form no part of the claimed design.

The right side of the design is a mirror image of the left side, so left views have been omitted.

Portions of the chair that are not shown in the drawings form no part of the claimed design.

1 Claim, 3 Drawing Sheets



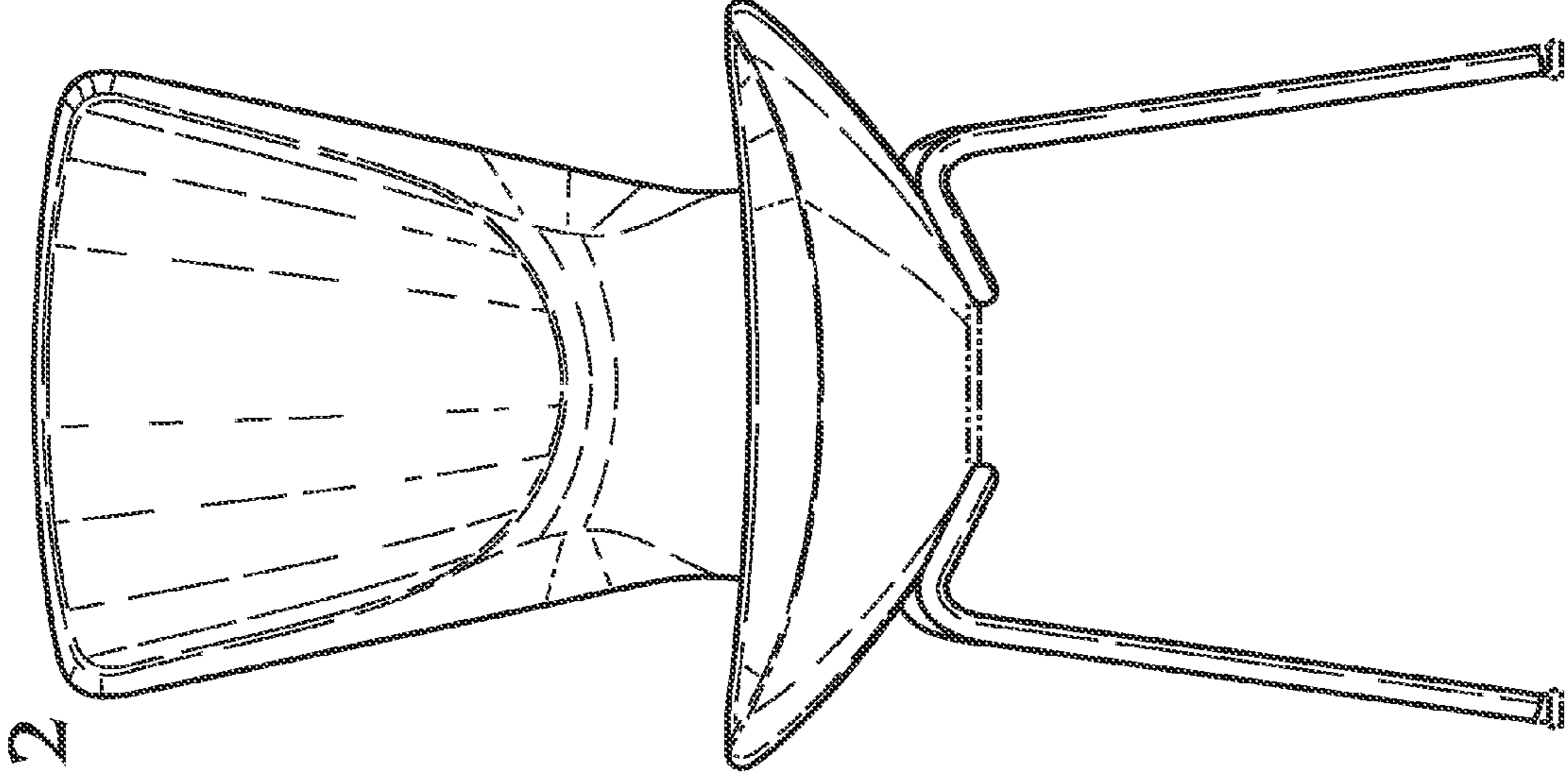


Fig. 2

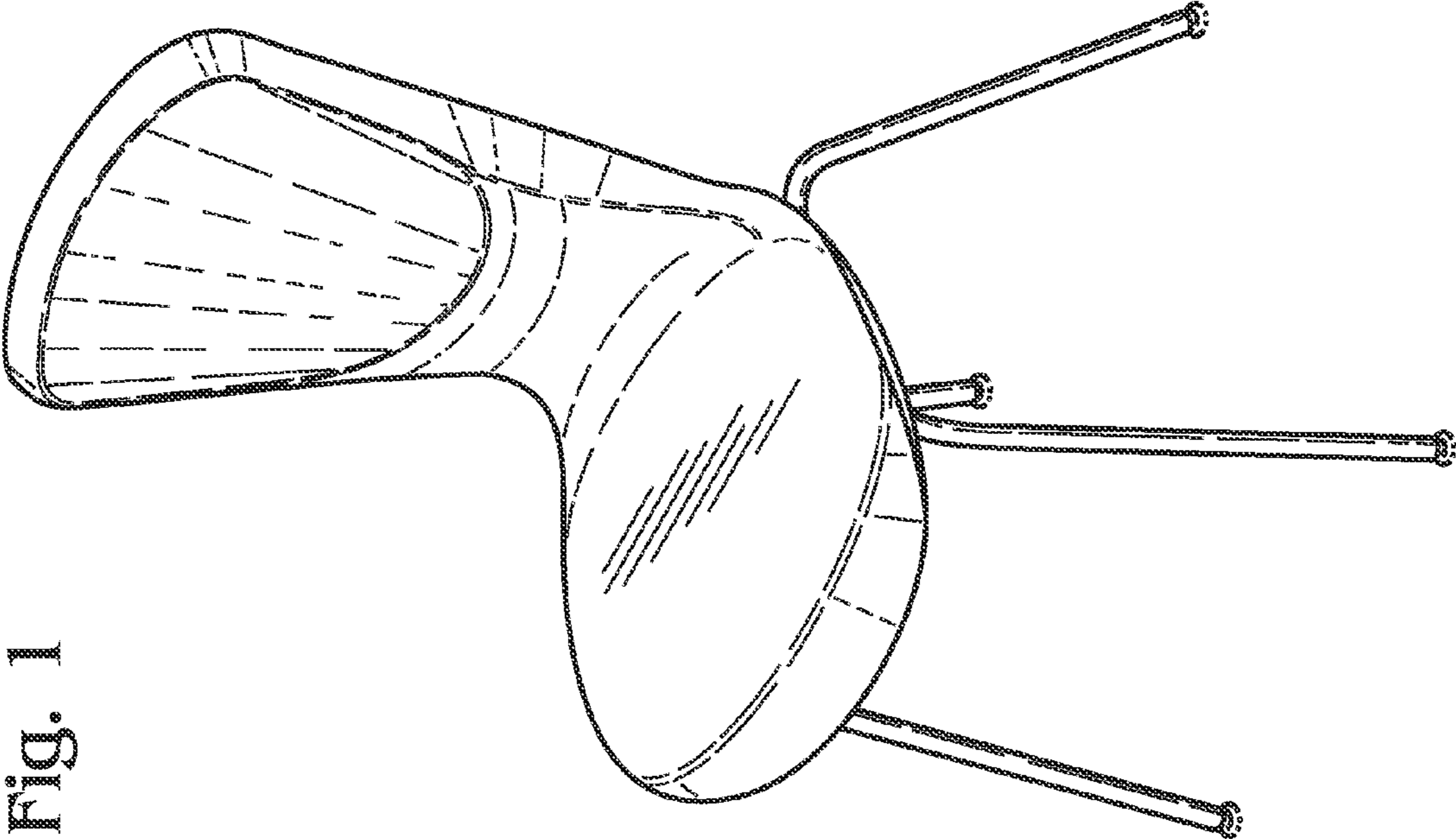


Fig. 1

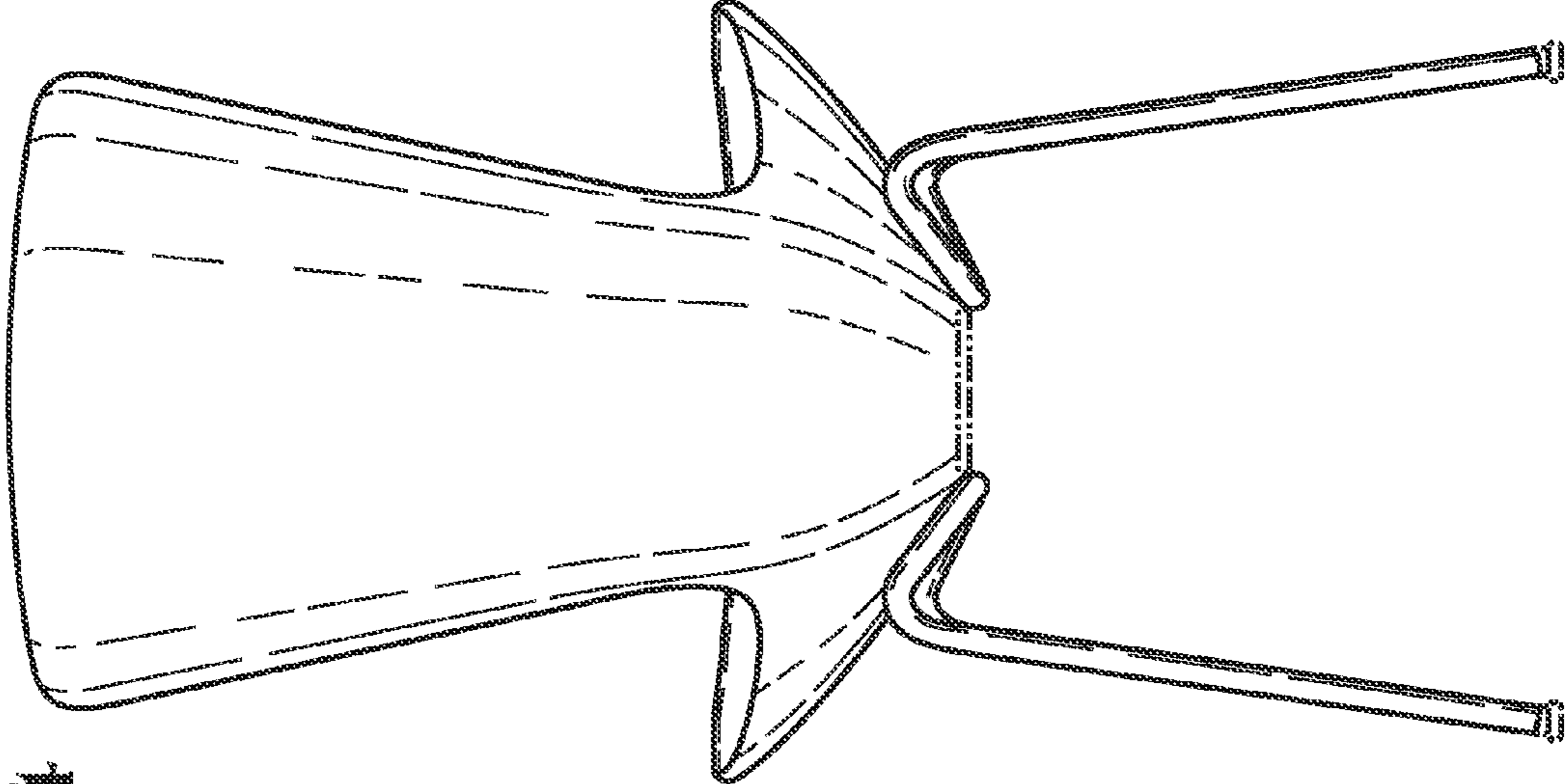


Fig. 4

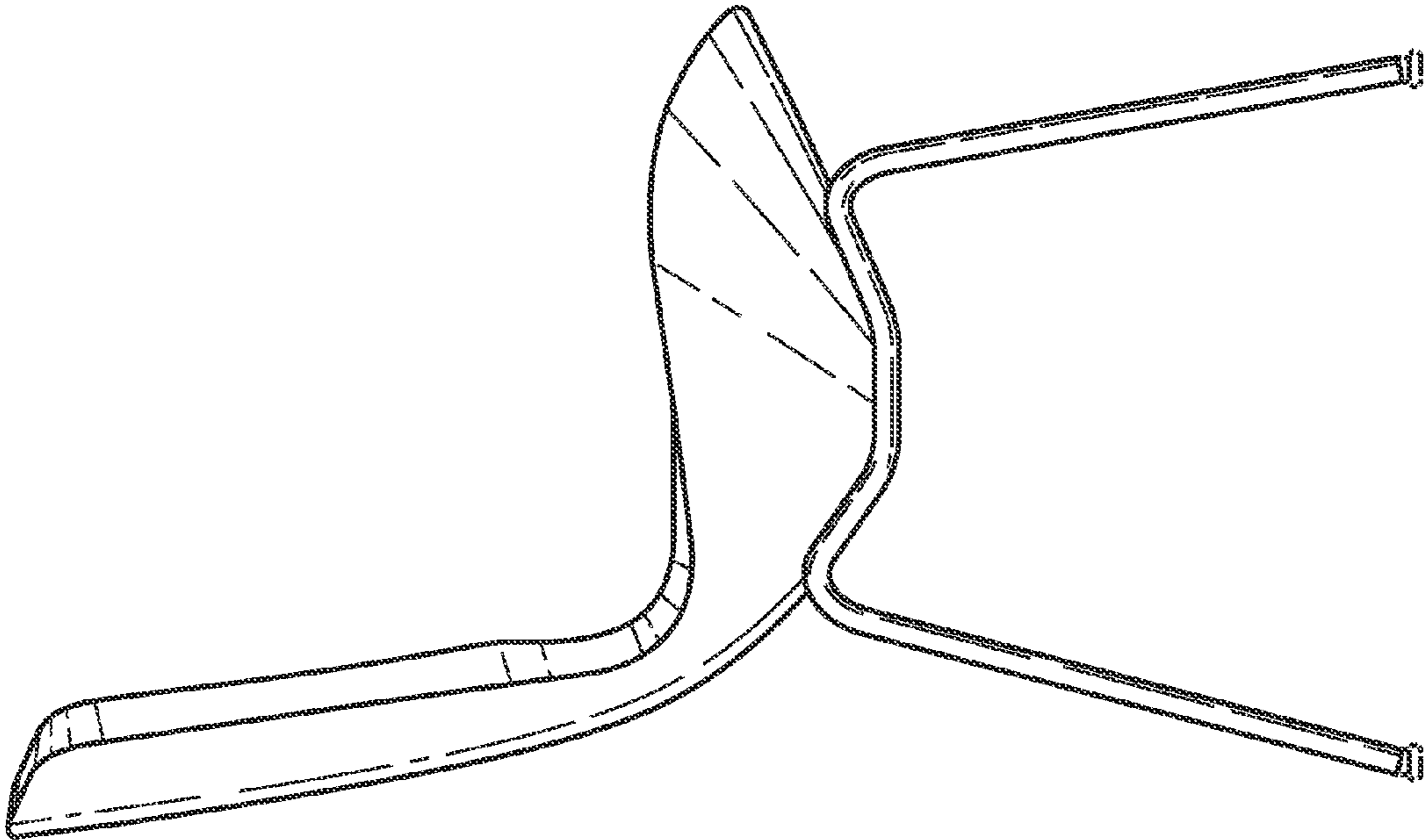


Fig. 3

Fig. 5

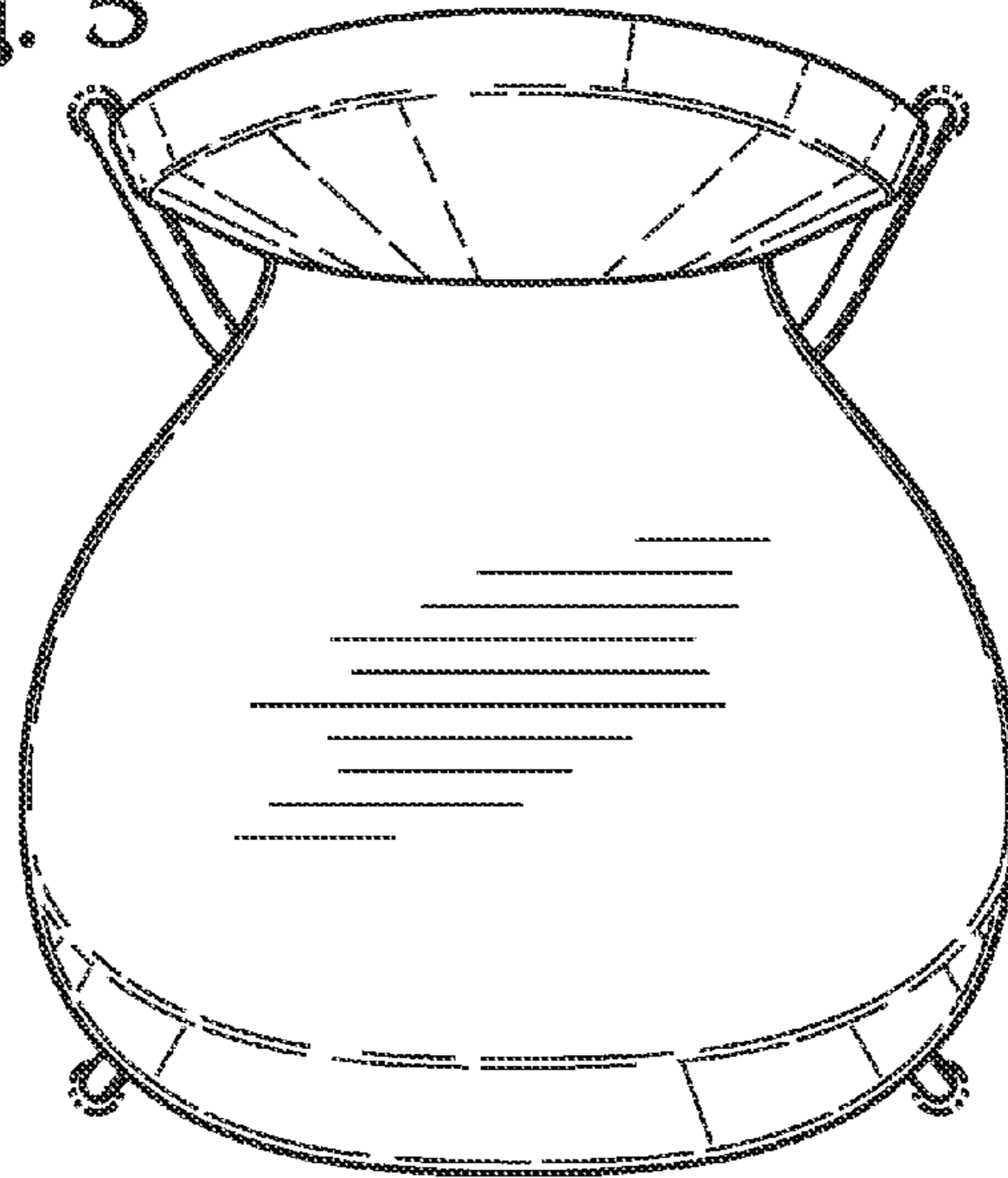


Fig. 6

