

US00D669277S

(12) **United States Design Patent**  
**Saotome**

(10) **Patent No.:** **US D669,277 S**

(45) **Date of Patent:** **\*\* \*Oct. 23, 2012**

(54) **CHAIR**

(75) Inventor: **Hiroshi Saotome**, Kanagawa (JP)

(73) Assignee: **Okamura Corporation**, Kanagawa (JP)

(\*) Notice: This patent is subject to a terminal disclaimer.

(\*\*) Term: **14 Years**

(21) Appl. No.: **29/381,919**

(22) Filed: **Dec. 27, 2010**

(51) **LOC (9) Cl.** ..... **06-01**

(52) **U.S. Cl.** ..... **D6/366**

(58) **Field of Classification Search** ..... D6/334-336,  
D6/364, 365, 366, 367, 369, 372, 374, 379,  
D6/380, 498, 500-502; 297/284.4, 300.4,  
297/411.29, 452.13, 452.18, 452.21, 452.29  
See application file for complete search history.

(56) **References Cited**

**U.S. PATENT DOCUMENTS**

D411,928 S \* 7/1999 Ritch et al. .... D6/500  
D456,627 S \* 5/2002 Pearce et al. .... D6/366

D457,739 S \* 5/2002 Pearce et al. .... D6/366  
D462,846 S \* 9/2002 Gasca Burges ..... D6/366  
D514,833 S \* 2/2006 Kinoshita ..... D6/366  
D555,924 S \* 11/2007 Igarashi ..... D6/366  
D564,264 S \* 3/2008 Smith et al. .... D6/500  
D587,915 S \* 3/2009 Igarashi ..... D6/366  
D592,876 S \* 5/2009 Smith et al. .... D6/380  
D648,968 S \* 11/2011 Piretti et al. .... D6/502

\* cited by examiner

*Primary Examiner* — Mimoso De

(74) *Attorney, Agent, or Firm* — Sughrue Mion, PLLC

(57) **CLAIM**

The ornamental design for a chair, as shown and described.

**DESCRIPTION**

FIG. 1 is a perspective view from the front side of a chair.  
FIG. 2 is a perspective view from the rear side thereof.  
FIG. 3 is a front elevation view thereof.  
FIG. 4 is a rear elevation view thereof.  
FIG. 5 is a left side elevation view thereof.  
FIG. 6 is a right side elevation view thereof.  
FIG. 7 is a top plan view thereof.  
FIG. 8 is a bottom plan view thereof.  
FIG. 9 is a sectional view of Line 9-9 in FIG. 3; and,  
FIG. 10 is a sectional view of Line 10-10 in FIG. 6.

**1 Claim, 10 Drawing Sheets**

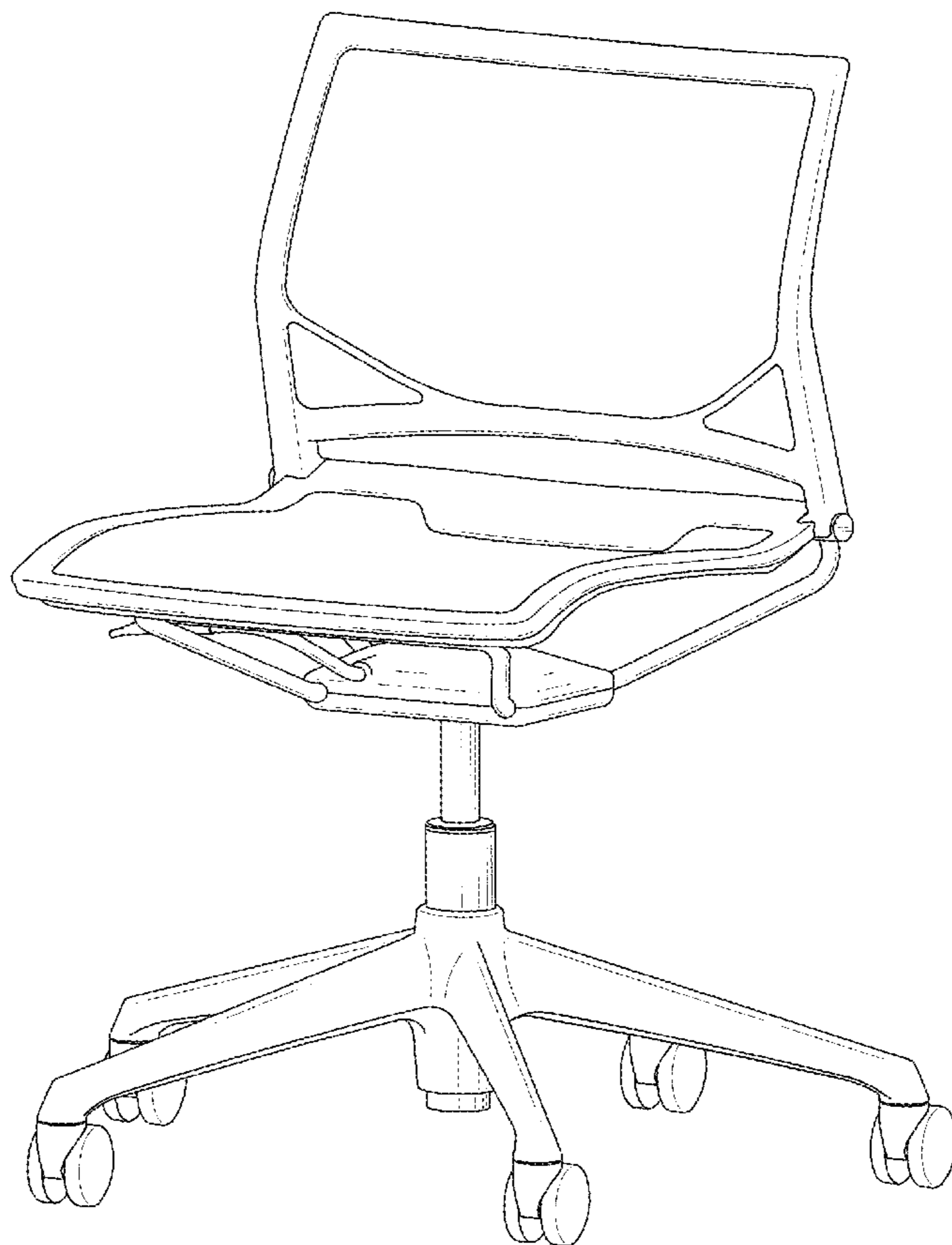


FIG. 1

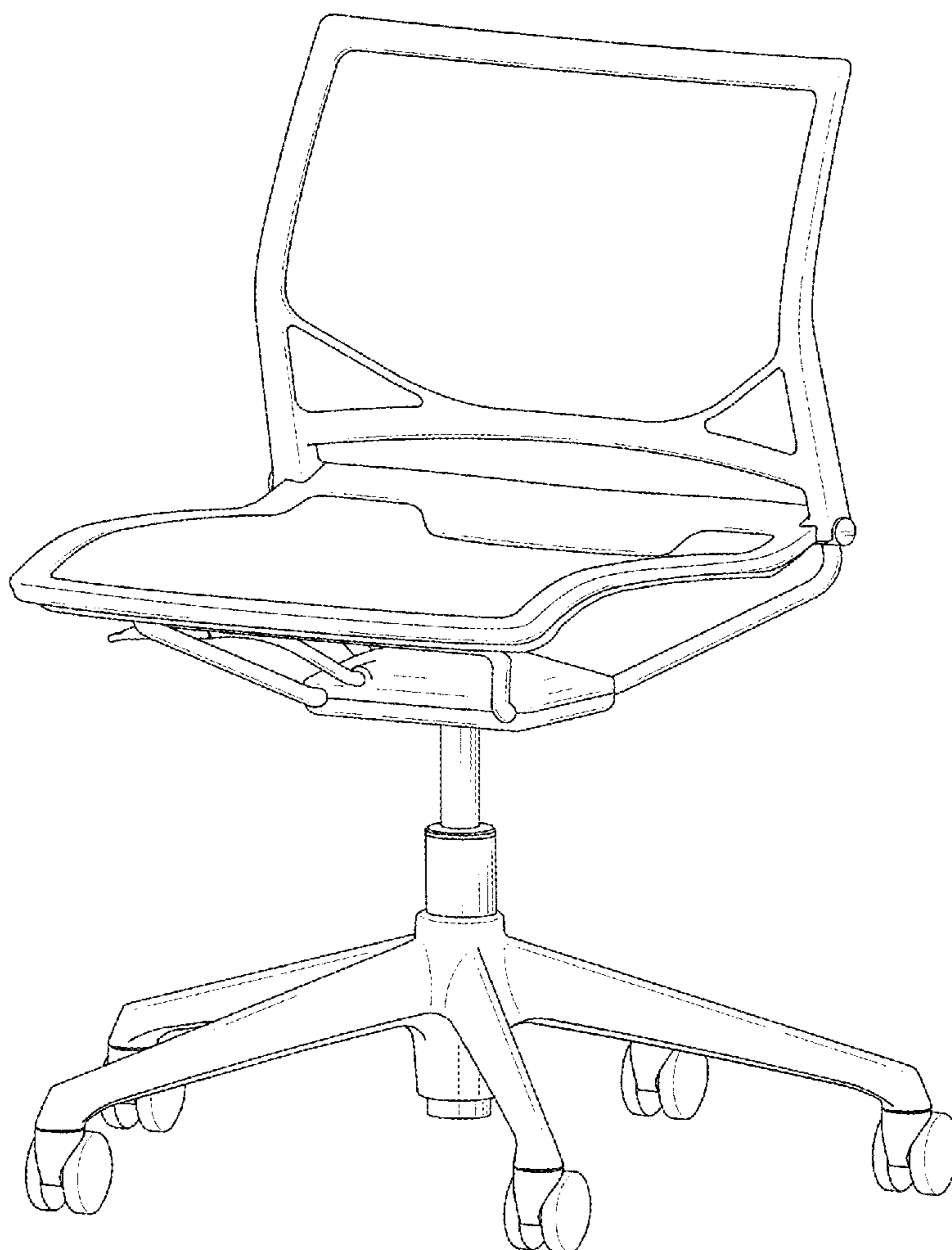


FIG. 2

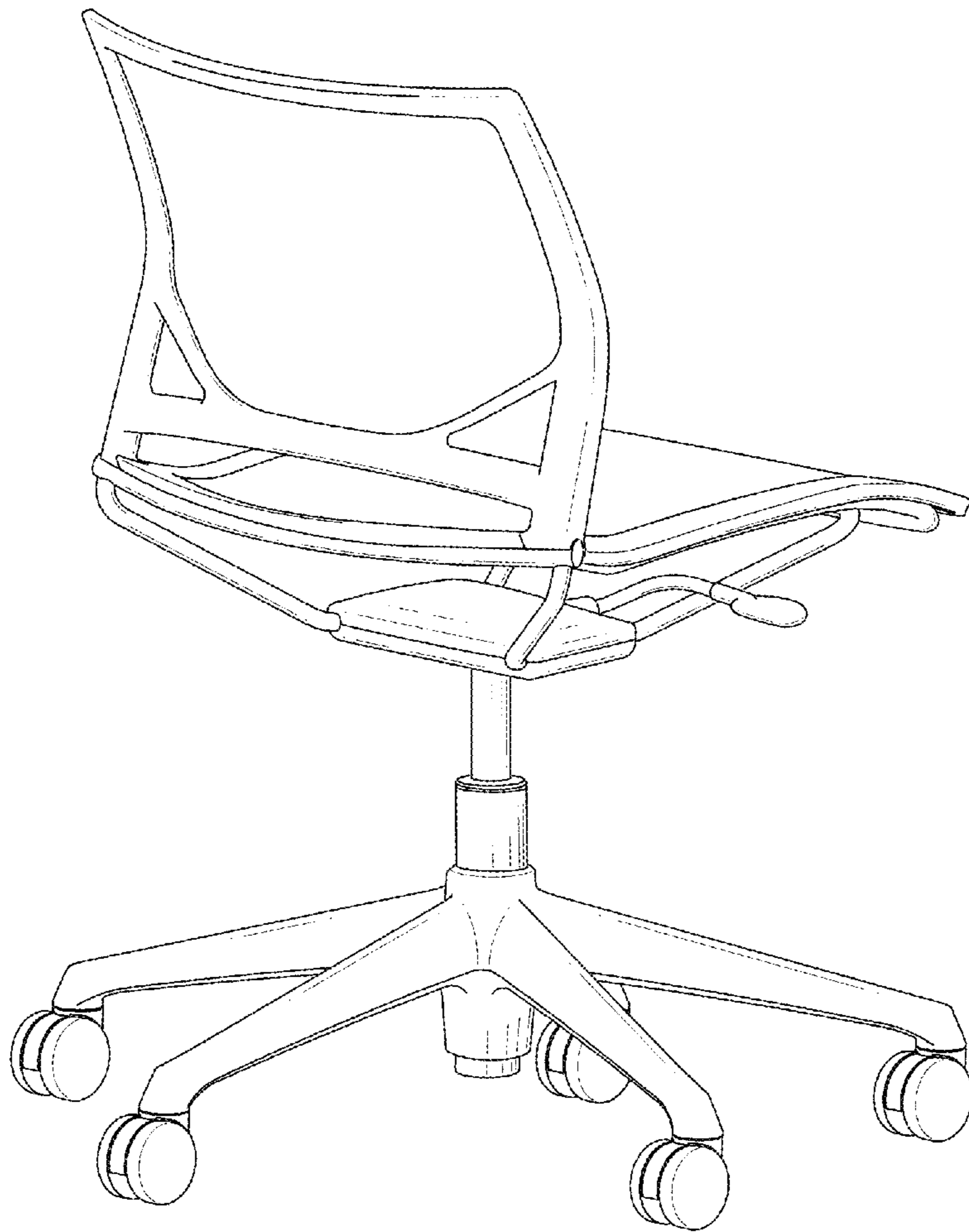


FIG. 3

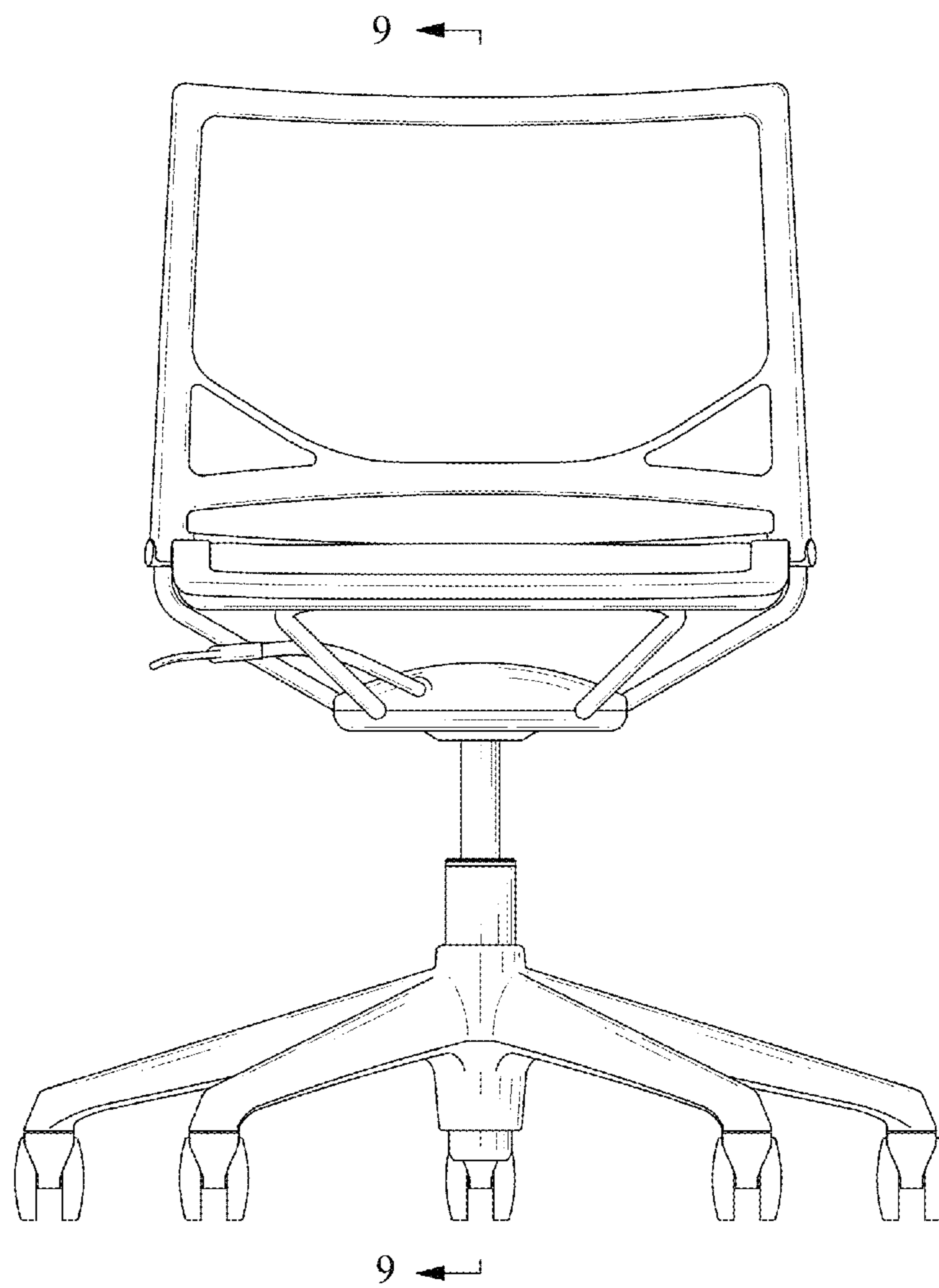


FIG. 4

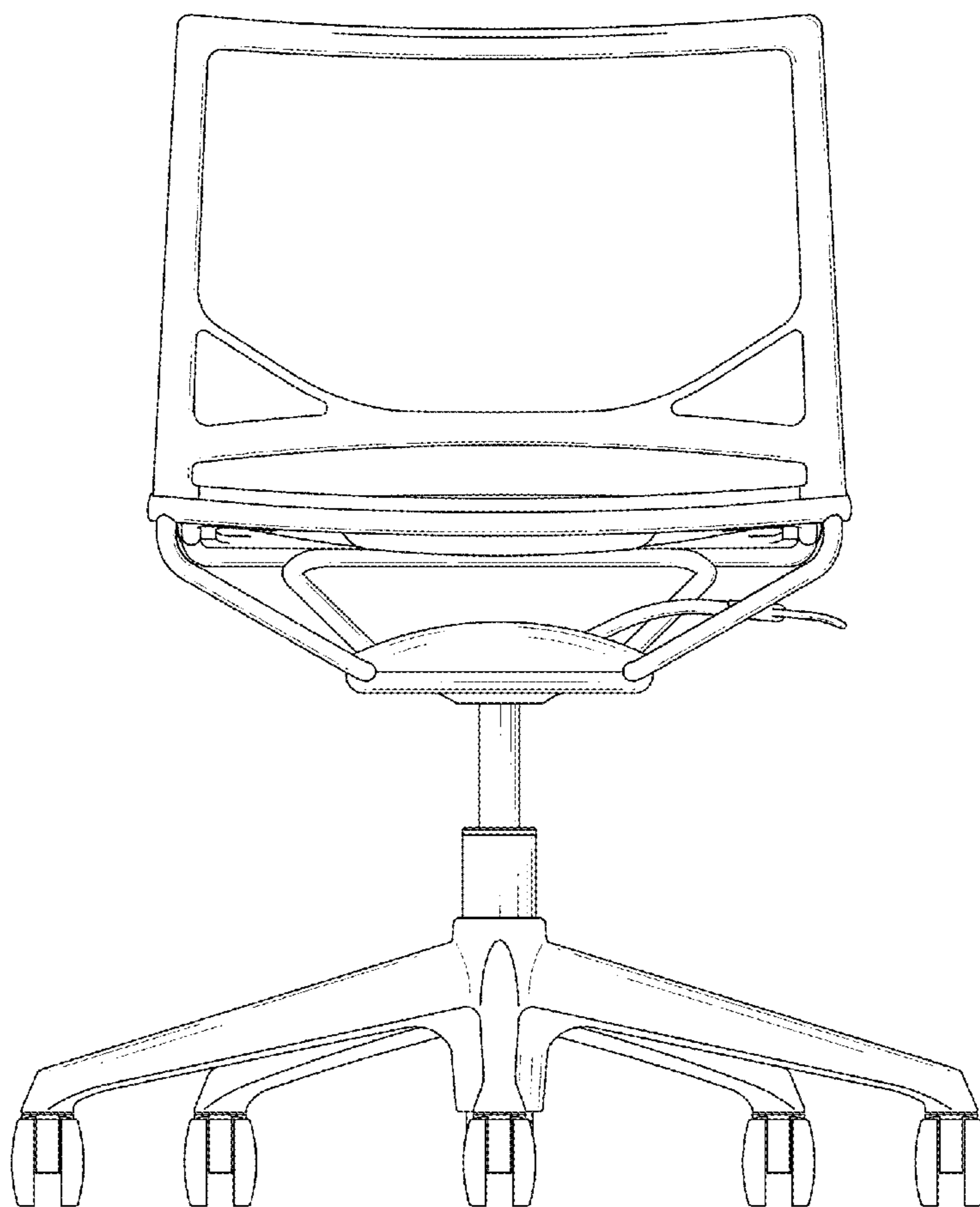


FIG. 5

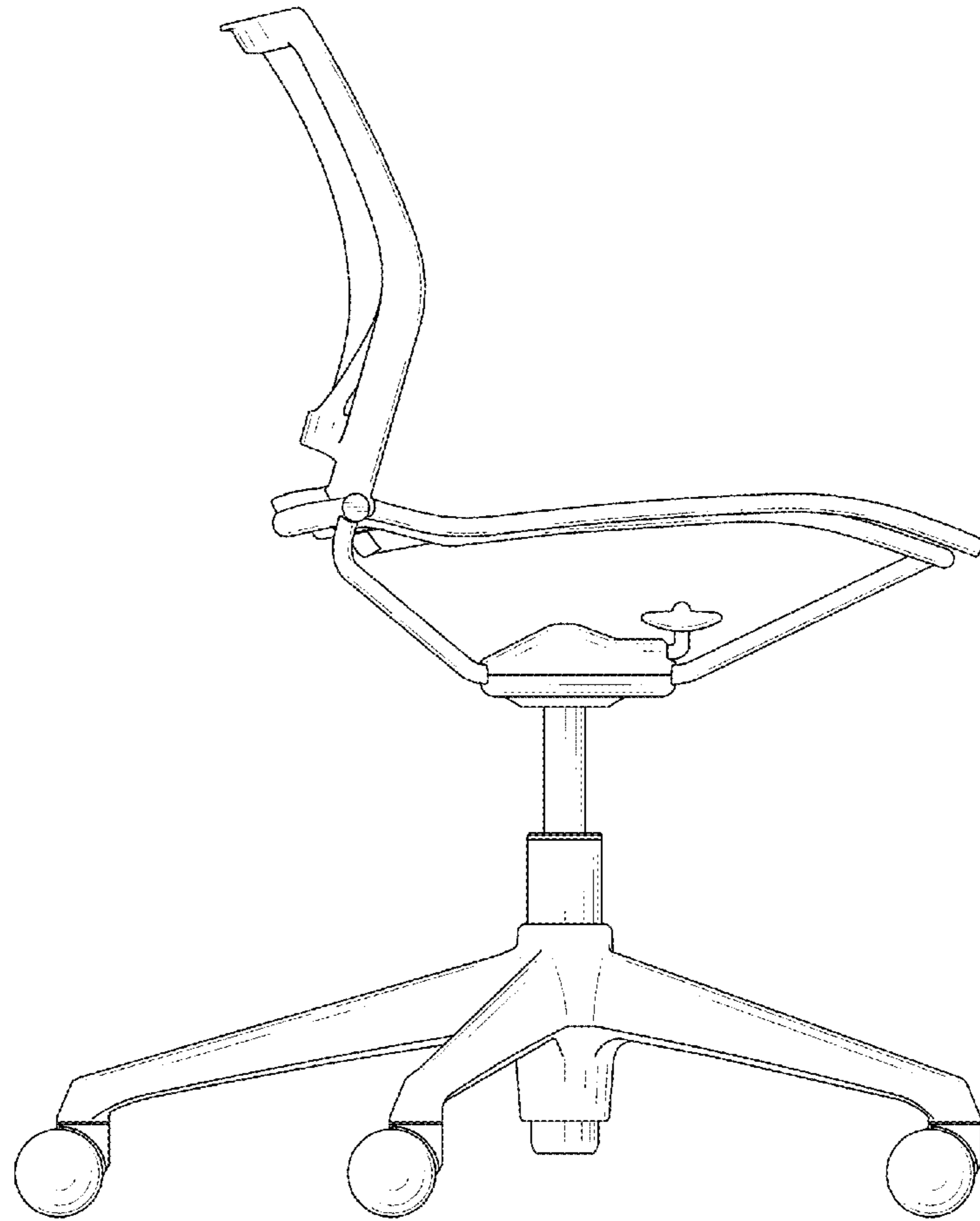


FIG. 6

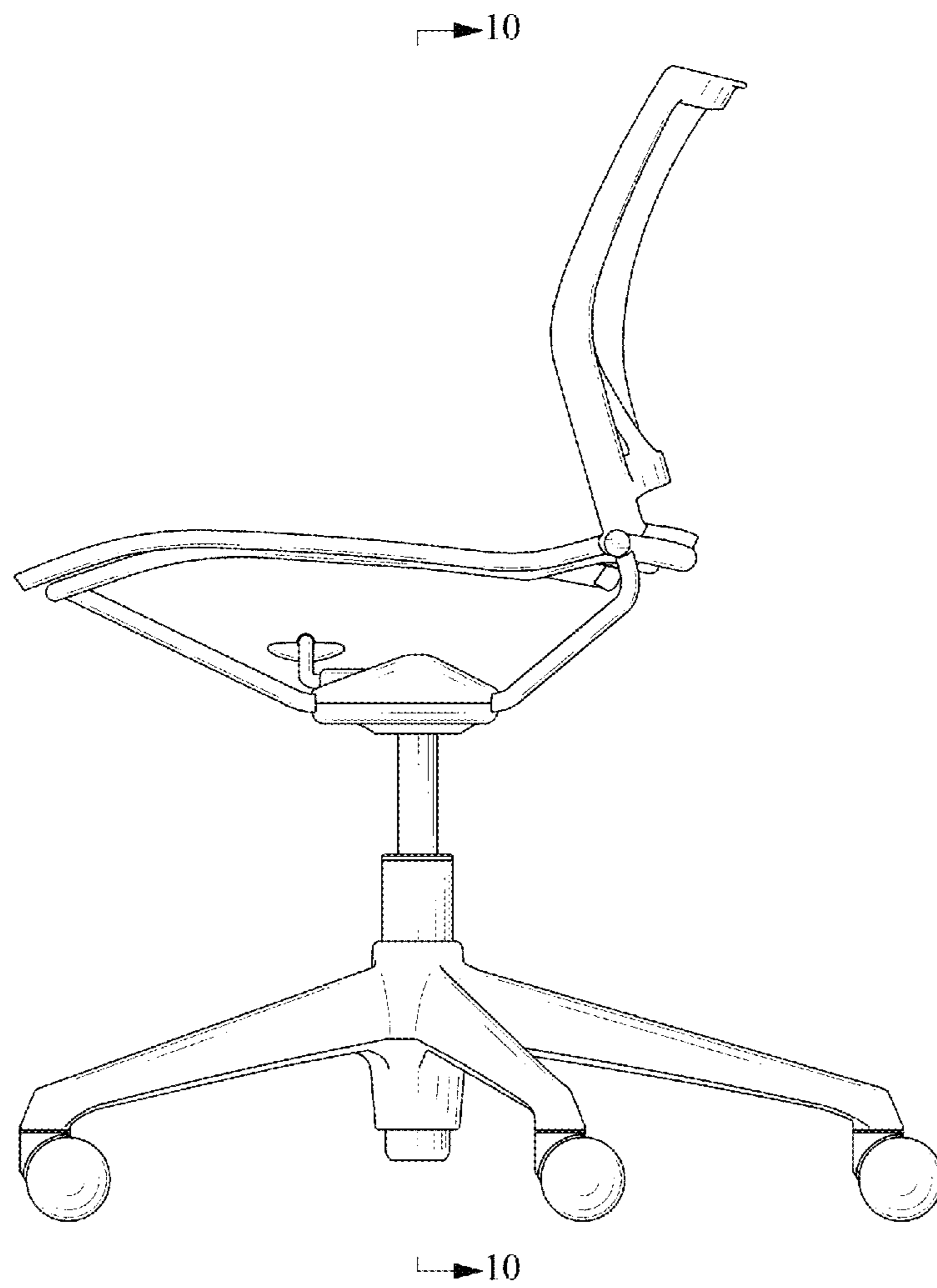


FIG. 7

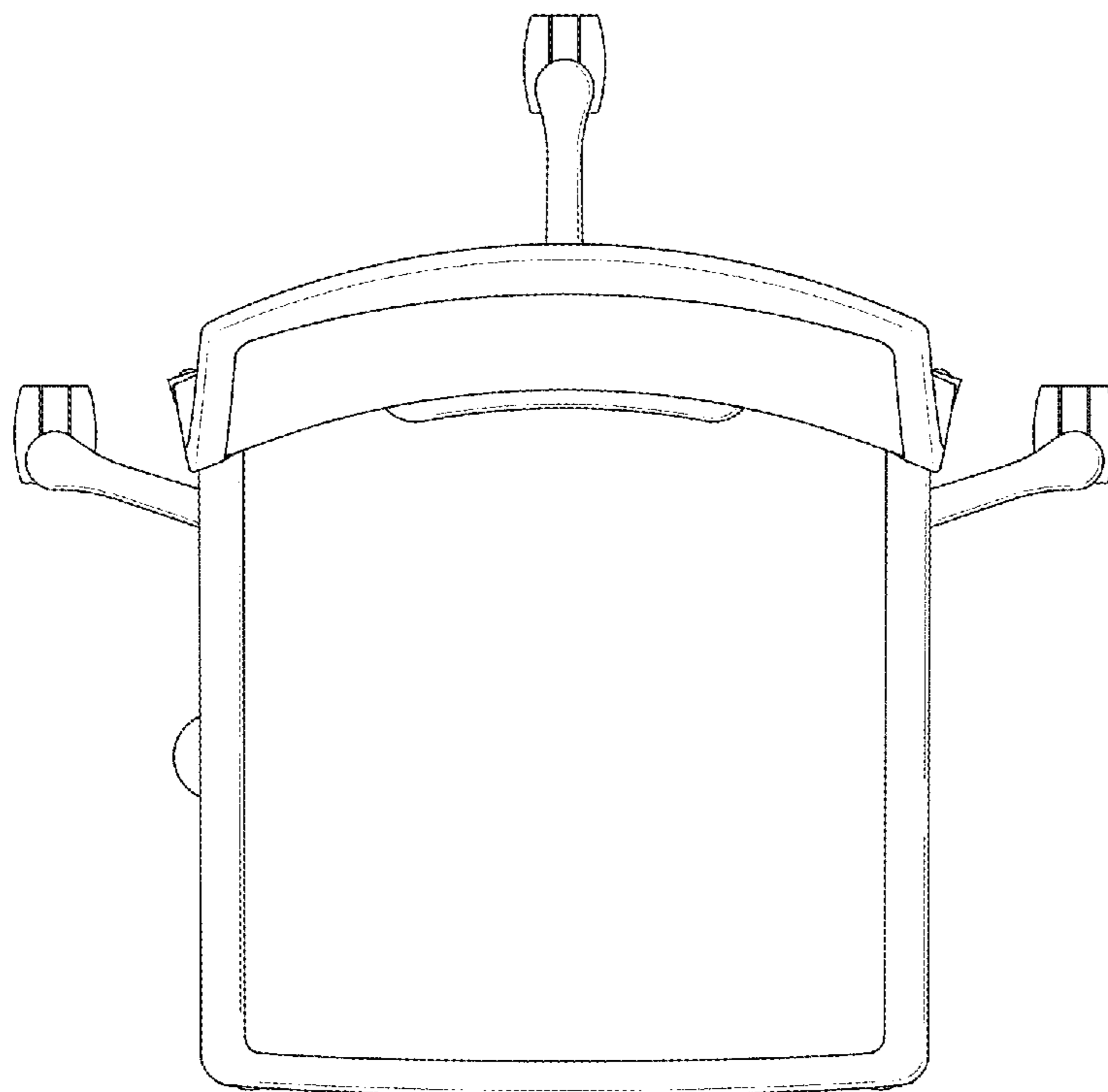




FIG. 8

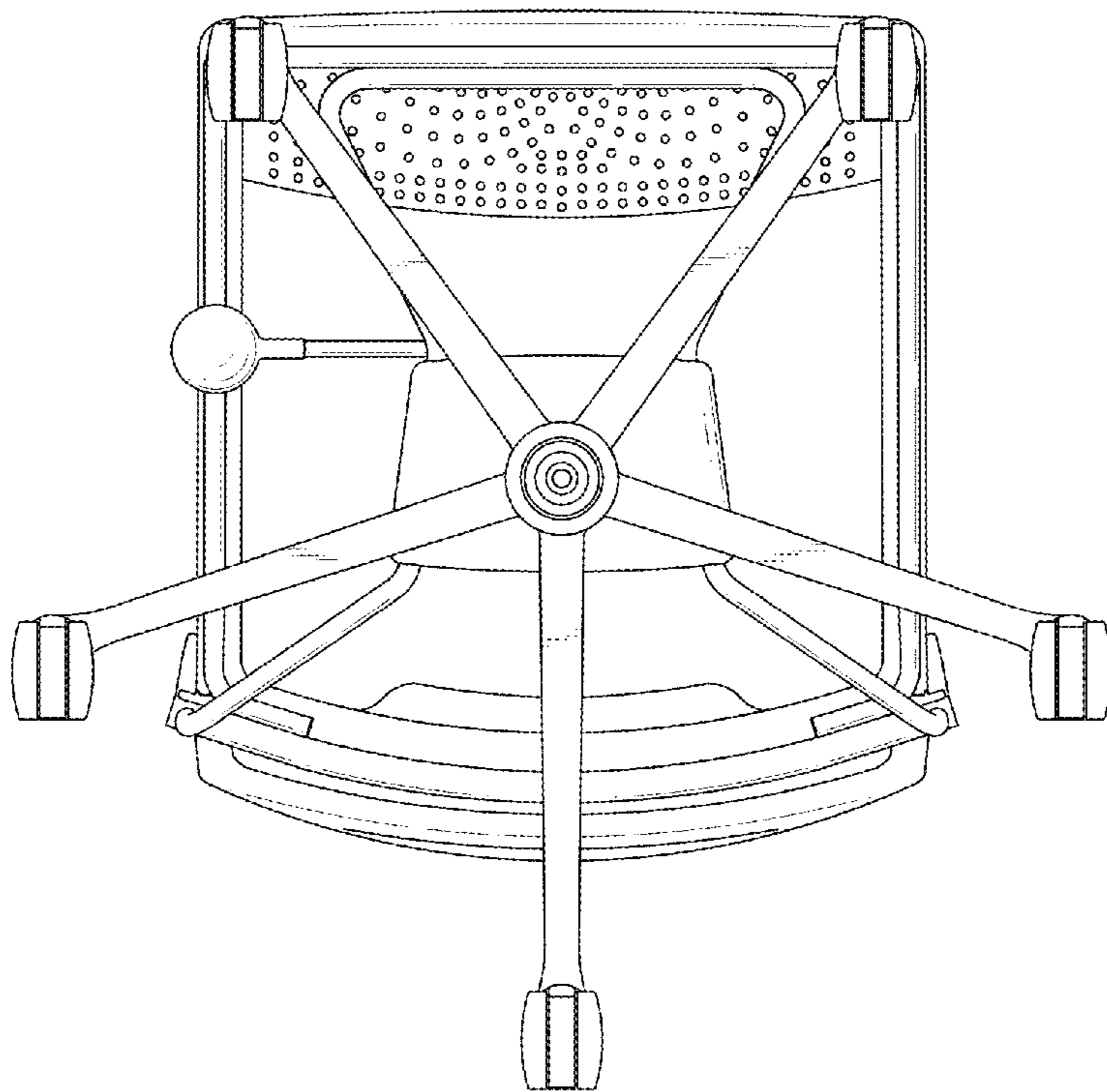


FIG. 9

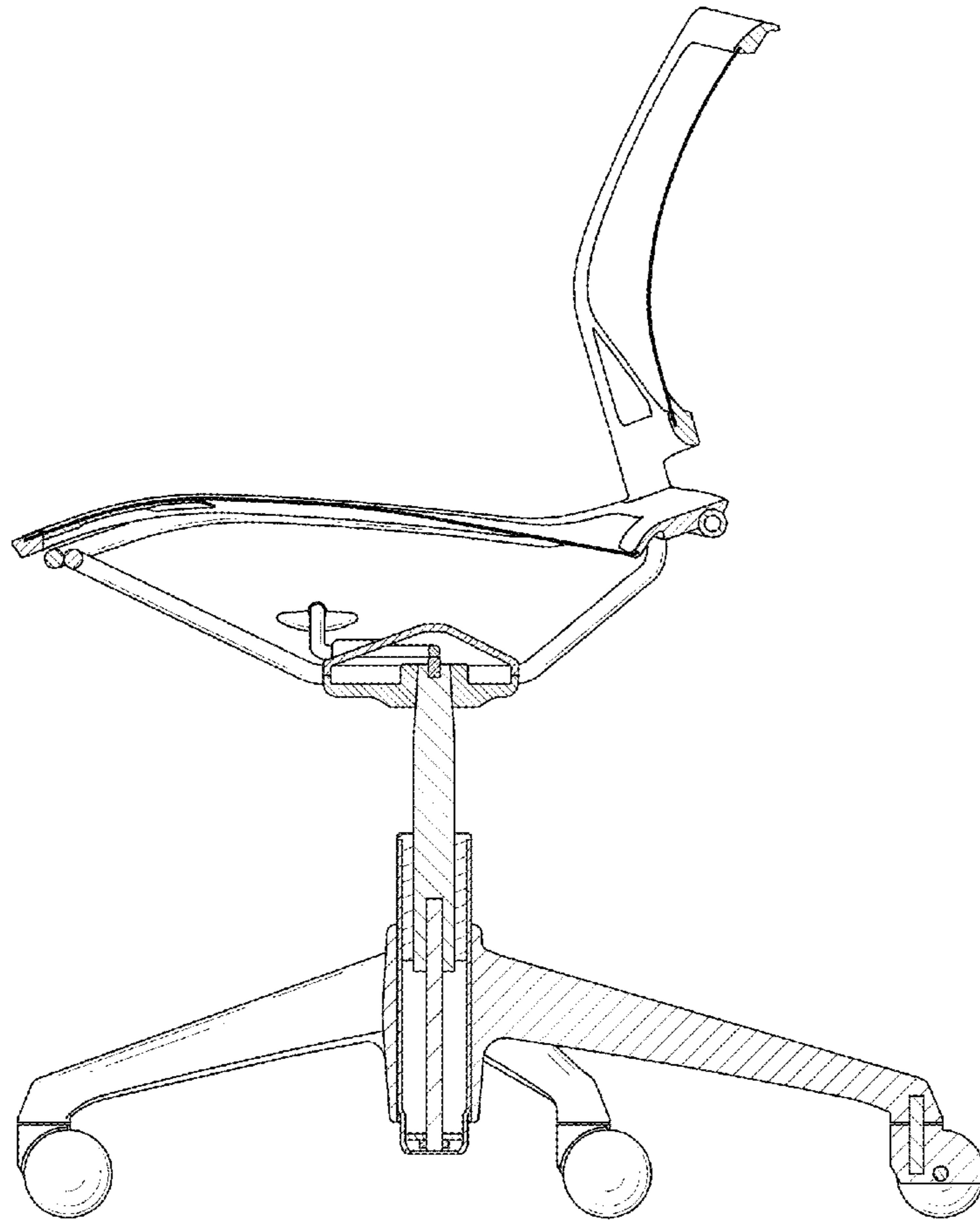


FIG. 10

