

US00D669274S

(12) **United States Design Patent**
Meurrens

(10) **Patent No.:** **US D669,274 S**

(45) **Date of Patent:** **** Oct. 23, 2012**

(54) **OPTICAL SURFACE CLEANING DEVICE**

(75) **Inventor:** **Peter Meurrens, Vancouver (CA)**

(73) **Assignee:** **International Parkside Products, Inc., Vancouver, BC (CA)**

(**) **Term:** **14 Years**

(21) **Appl. No.:** **29/344,642**

(22) **Filed:** **Oct. 1, 2009**

(51) **LOC (9) Cl.** **04-01**

(52) **U.S. Cl.** **D4/121; D32/35**

(58) **Field of Classification Search** D4/119-121,
D4/127, 135; D32/35, 40; 15/107, 114,
15/159.1, 160, 184, 191-194, 214; D19/43,
D19/46, 51

See application file for complete search history.

(56) **References Cited**

U.S. PATENT DOCUMENTS

4,842,132	A *	6/1989	Wells	206/229
D362,092	S *	9/1995	Wasak	D32/40
D401,419	S *	11/1998	Hartmann et al.	D4/135
5,993,560	A *	11/1999	Wasak et al.	134/6

D420,807	S *	2/2000	Otteman et al.	D4/119
6,964,941	B2 *	11/2005	Argentieri et al.	510/175
D518,962	S *	4/2006	Hay et al.	D4/119
2007/0009315	A1 *	1/2007	Wu	401/123

* cited by examiner

Primary Examiner — Melanie H Tung

Assistant Examiner — Lavone D Tabor

(74) *Attorney, Agent, or Firm* — Andrew S. Langsam; Pryor Cashman LLP

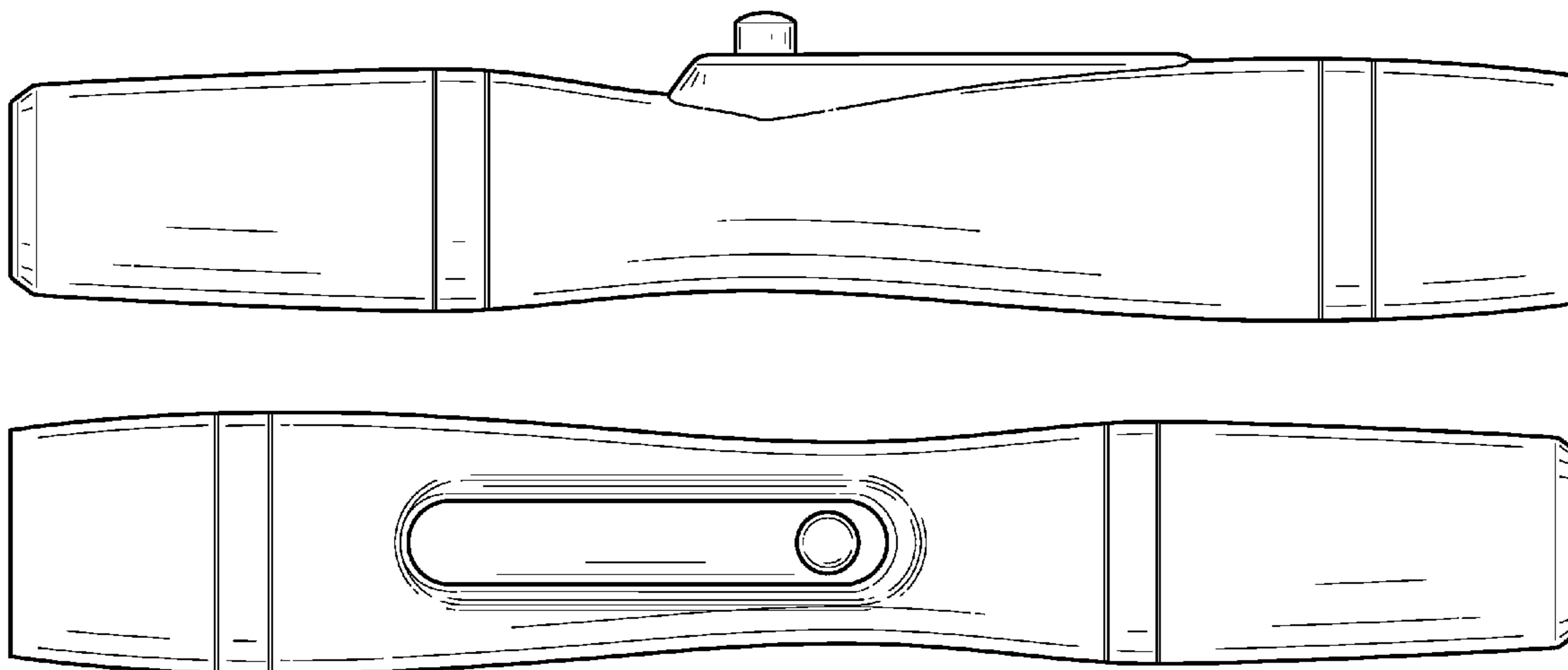
(57) **CLAIM**

The ornamental design for an optical surface cleaning device, as shown and described.

DESCRIPTION

FIG. 1 is a perspective view of the present invention; FIG. 2 is a first side elevational view of the present invention; FIG. 3 is the second or opposite side elevational view of the present invention; FIG. 4 is a top plan view of the present invention; FIG. 5 is a bottom plan view of the present invention; and, FIG. 6 is a front plan view of the present invention. The broken line shown in FIGS. 1 and 6 represents the bounds of the claim and forms no part thereof.

1 Claim, 6 Drawing Sheets



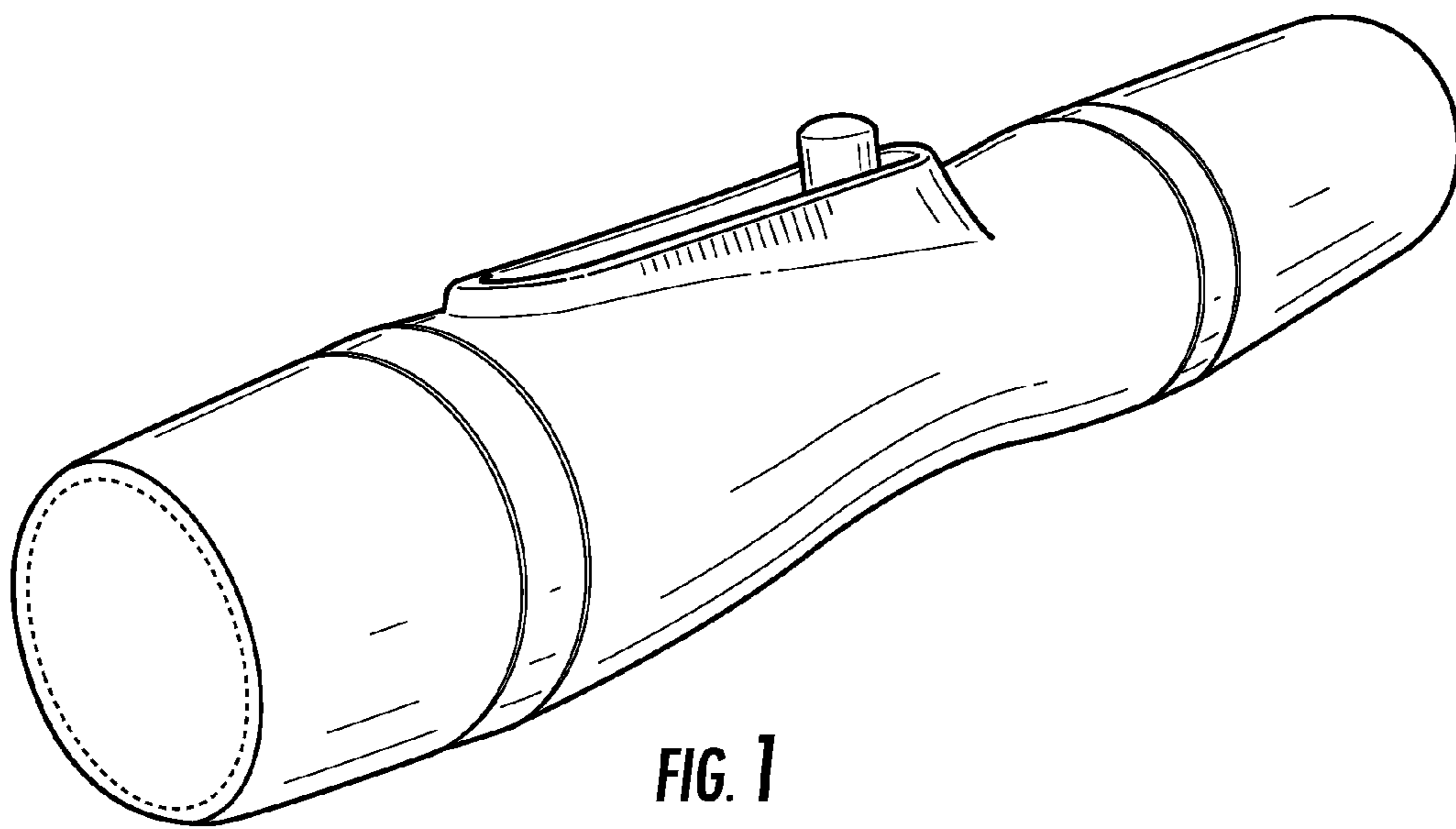


FIG. 1

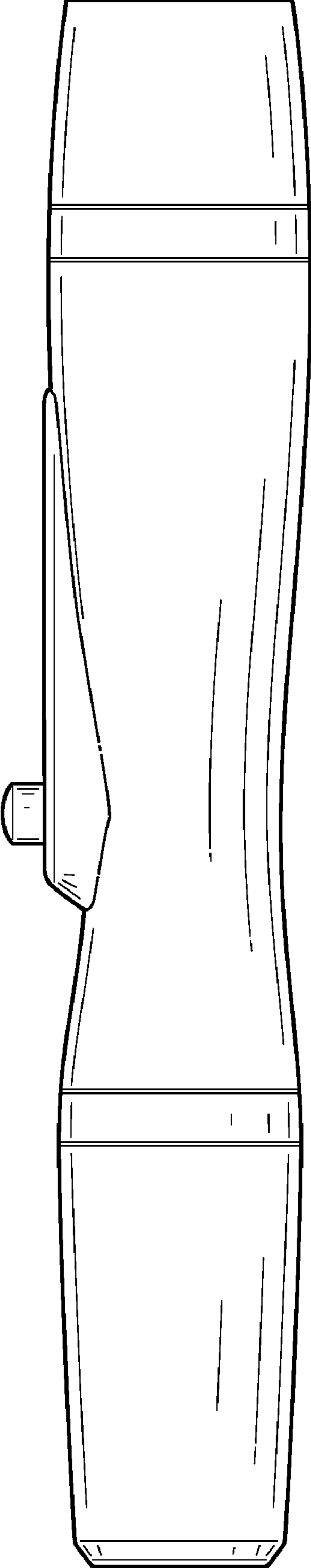


FIG. 2

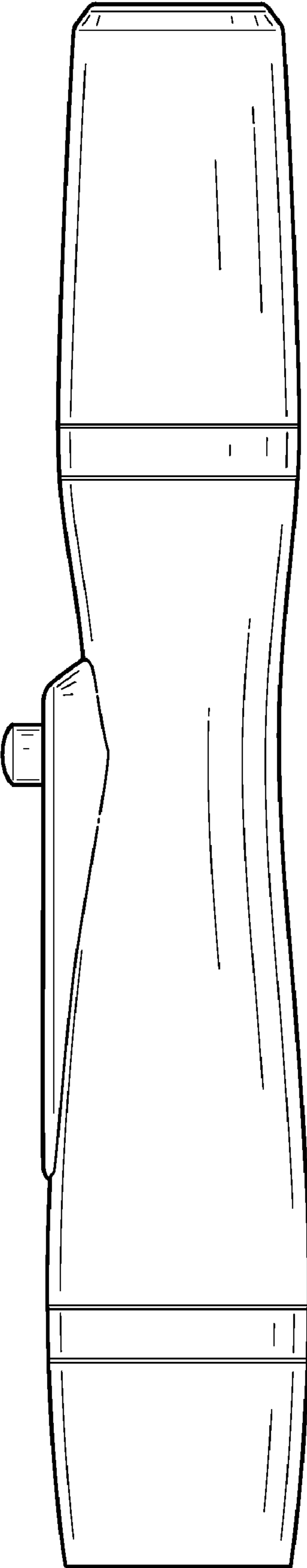


FIG. 3

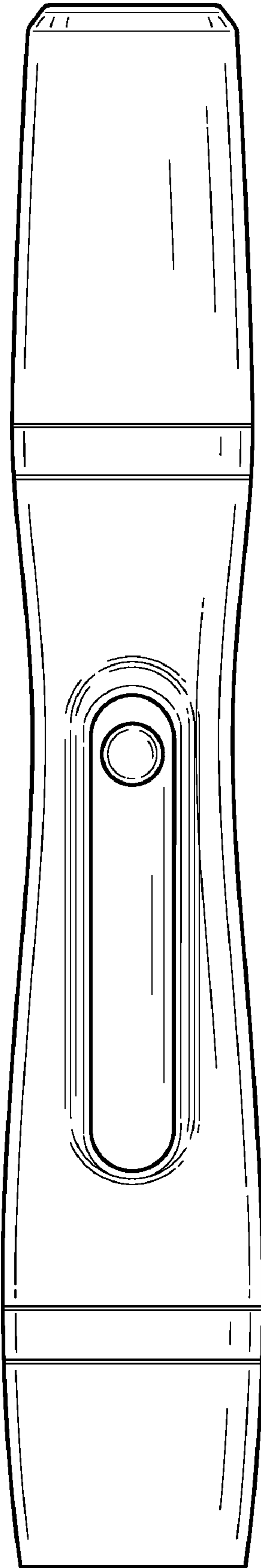


FIG. 4

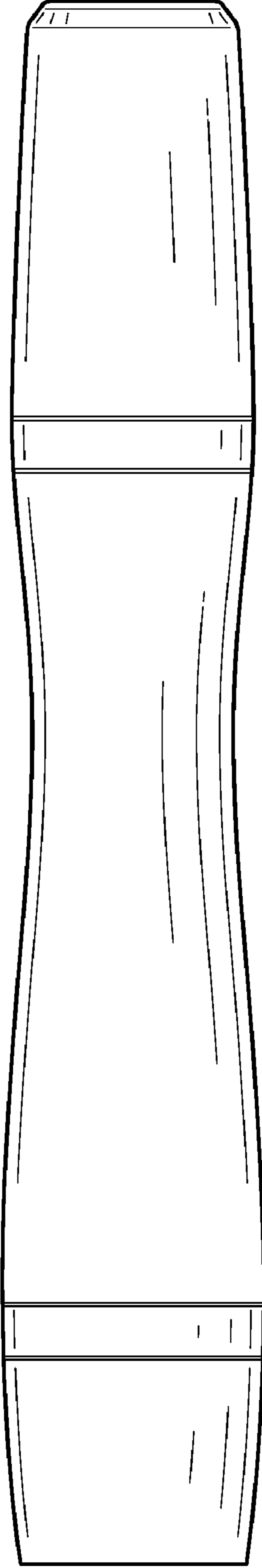


FIG. 5

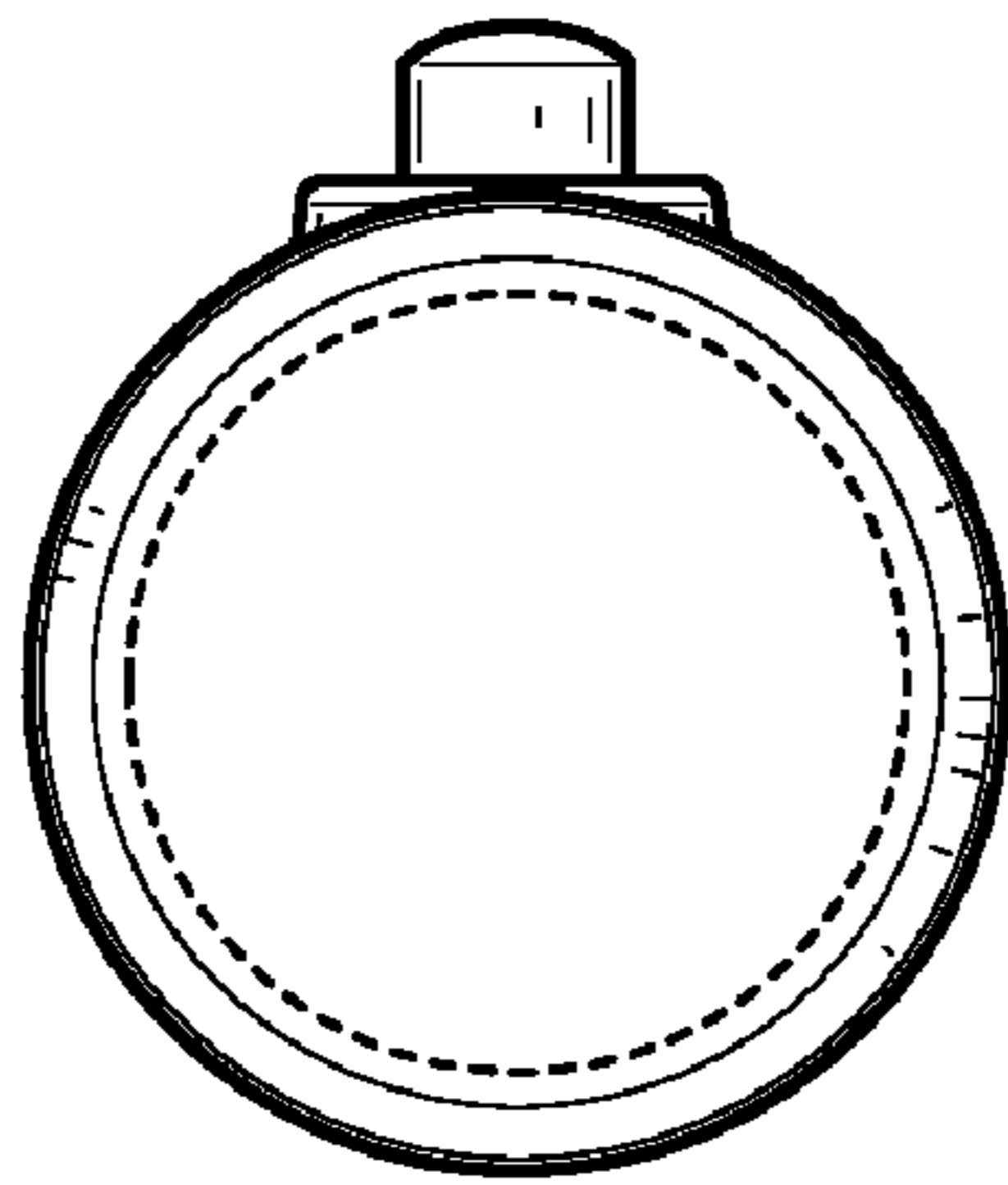


FIG. 6