

US00D669273S

(12) **United States Design Patent**
Nash

(10) **Patent No.:** **US D669,273 S**
(45) **Date of Patent:** **** Oct. 23, 2012**

(54) **OPEN-ENDED CONTAINER**

(75) Inventor: **Jaime W. Nash**, Lake Tapps, WA (US)
(73) Assignee: **Wilmar Corporation**, Renton, WA (US)
(**) Term: **14 Years**

(21) Appl. No.: **29/400,169**

(22) Filed: **Aug. 24, 2011**

(51) **LOC (9) Cl.** **03-01**

(52) **U.S. Cl.** **D3/304**

(58) **Field of Classification Search** D3/304,
D3/310, 315; D6/449, 470-473, 509-510;
D7/601-602, 605, 612-614, 701; 312/114-117;
206/503-504; D9/424-426; 220/23.2-23.6,
220/23.83

See application file for complete search history.

(56) **References Cited**

U.S. PATENT DOCUMENTS

1,862,609 A	6/1934	Shaw	
D110,477 S *	7/1938	Carpenter	D9/526
D127,672 S	6/1941	Brown	
3,113,680 A	12/1963	Frater et al.	
D200,969 S *	4/1965	Wildgen	D7/612
3,259,269 A	7/1966	John	
3,307,709 A *	3/1967	Hulterstrum	211/85.19
D255,627 S	7/1980	Newsom, Jr. et al.	
4,372,444 A	2/1983	Le Grand et al.	
D276,775 S	12/1984	Antti et al.	
D293,289 S *	12/1987	Edwards et al.	D7/612
D293,407 S *	12/1987	Edwards et al.	D7/612
4,718,578 A	1/1988	Radek et al.	
4,744,487 A *	5/1988	Welborn	220/827
D311,799 S	10/1990	Embree et al.	
D313,150 S *	12/1990	Hestehave et al.	D7/612
4,993,583 A *	2/1991	Chasen	220/482
5,092,474 A *	3/1992	Leigner	215/381
D327,971 S	7/1992	Cugley	
5,271,515 A *	12/1993	Berkheimer et al.	220/4.27

(Continued)

OTHER PUBLICATIONS

U.S. Appl. No. 29/400,158, filed Aug. 24, 2001, Nash, Jaime W.

(Continued)

Primary Examiner — Kelley Donnelly

(74) *Attorney, Agent, or Firm* — Condo Roccia LLP

(57) **CLAIM**

The ornamental design for an open-ended container, as shown and described.

DESCRIPTION

This application is related to U.S. patent application Ser. No. 29/400,158, filed on Aug. 24, 2011 and entitled "Open-Ended Container," to U.S. patent application Ser. No. 29/400,177, filed on Aug. 24, 2011 and entitled "Open-Ended Container System," to U.S. patent application Ser. No. 29/417,221, filed on Mar. 30, 2012 and entitled "Open-Ended Container," to U.S. patent application Ser. No. 29/417,229, filed on Mar. 30, 2012 and entitled "Open-Ended Container," to U.S. patent application Ser. No. 29/422,033, filed on May 15, 2012 and entitled "Open-Ended Container," and to U.S. patent application Ser. No. 29/422,034, filed on May 15, 2012 and entitled "Open-Ended Container System."

FIG. 1 is a front perspective view of an open-ended container embodying my new design;

FIG. 2 is a top view of the open-ended container of FIG. 1;

FIG. 3 is a front view of the open-ended container of FIG. 1;

FIG. 4 is a side view of the open-ended container of FIG. 1;

FIG. 5 is a rear view of the open-ended container of FIG. 1;

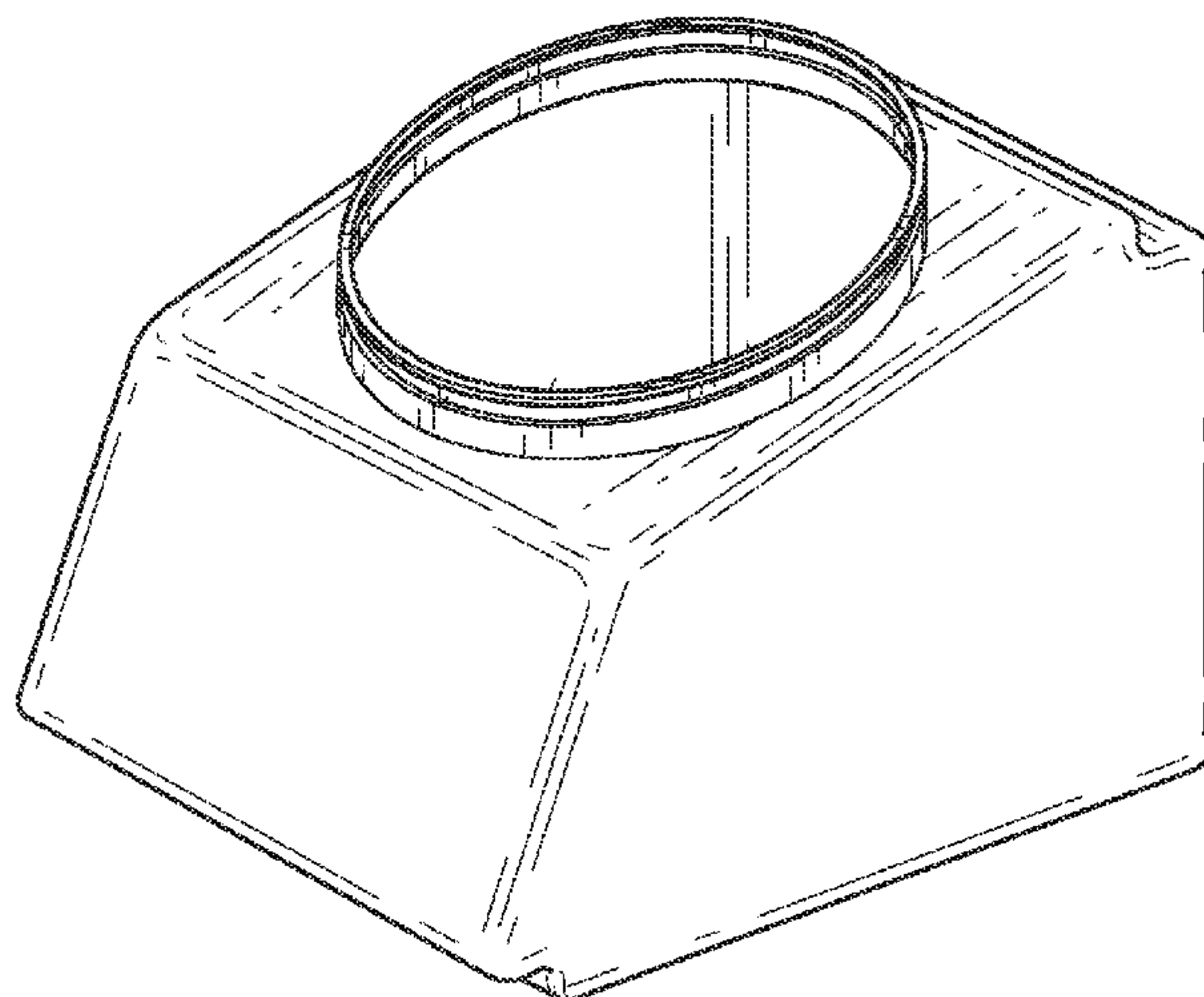
and,

FIG. 6 is a bottom view of the open-ended container of FIG.

1.

The broken lines shown herein are included for the purpose of illustrating an environment of the article and form no part of the claimed design.

1 Claim, 3 Drawing Sheets



US D669,273 S

Page 2

U.S. PATENT DOCUMENTS

D343,093	S *	1/1994	Sabin et al.	D7/612
D343,766	S *	2/1994	Bastidos	D7/614
D347,554	S *	6/1994	Wingate et al.	D7/612
D365,229	S	12/1995	Story et al.		
D370,834	S *	6/1996	Hartman	D7/612
5,531,517	A	7/1996	Alpen		
5,678,701	A	10/1997	Anderson		
D406,988	S *	3/1999	Tisdale	D7/612
6,062,388	A	5/2000	Ohayon		
D429,882	S *	8/2000	Lee et al.	D3/294
D429,967	S *	8/2000	Barfield	D7/620
D432,869	S *	10/2000	Saunders	D7/589
D462,012	S *	8/2002	Manderfield, Jr.	D9/530
D464,887	S *	10/2002	Sherwell	D9/516
D500,640	S *	1/2005	Lawson et al.	D7/612
D502,869	S	3/2005	Clarke		
D509,438	S	9/2005	Woerz		
D530,128	S *	10/2006	Doran	D6/571
D533,330	S *	12/2006	Beaulieu	D99/34
D538,539	S	3/2007	Richardson et al.		
D540,174	S *	4/2007	Lux	D9/523
7,216,779	B2 *	5/2007	Kasting et al.	222/111
D547,973	S	8/2007	Brown et al.		
D576,883	S *	9/2008	Carapelli	D9/522
D598,033	S	8/2009	Liu et al.		
D606,314	S	12/2009	Neilsen		
D621,619	S	8/2010	Ripoll		
D623,954	S *	9/2010	Hawry et al.	D9/522
7,789,238	B2 *	9/2010	Claypool et al.	206/508
D630,852	S	1/2011	Kobilarcik et al.		
D633,473	S *	3/2011	Takeshi Yeung	D14/207
D633,717	S	3/2011	Searcy		
D634,635	S	3/2011	Araujo et al.		
D635,031	S *	3/2011	Themann	D9/544
D635,770	S *	4/2011	Kobilarcik et al.	D3/304
D639,562	S	6/2011	Cadwell		
8,025,176	B2 *	9/2011	Little et al.	220/675
D652,722	S	1/2012	Robertson et al.		
D657,105	S	4/2012	Martheenal		
8,215,485	B2	7/2012	Maroofian et al.		
2005/0082307	A1	4/2005	Tucker		
2005/0181159	A1 *	8/2005	Dunlap et al.	428/35.7
2006/0021984	A1 *	2/2006	Nottingham et al.	220/288
2007/0187420	A1 *	8/2007	Gruskin et al.	220/771
2009/0178989	A1	7/2009	Accuardi		

OTHER PUBLICATIONS

U.S. Appl. No. 29/400,177, filed Aug. 24, 2011, Nash, Jaime W.
U.S. Appl. No. 29/422,033, filed May 15, 2012, Nash, Jamie W.
U.S. Appl. No. 29/422,034, filed May 15, 2012, Nash, Jamie W.

* cited by examiner

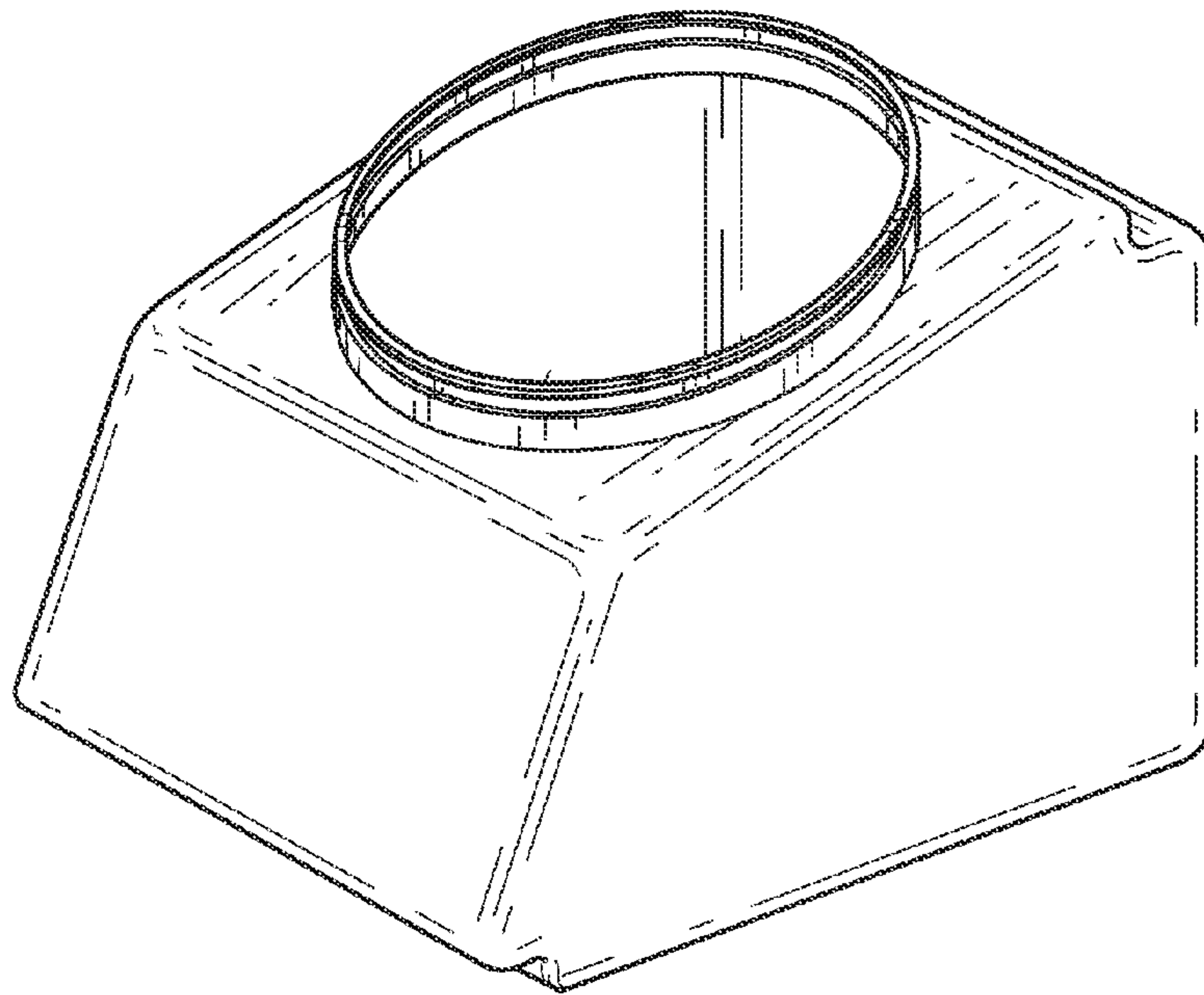


FIG. 1

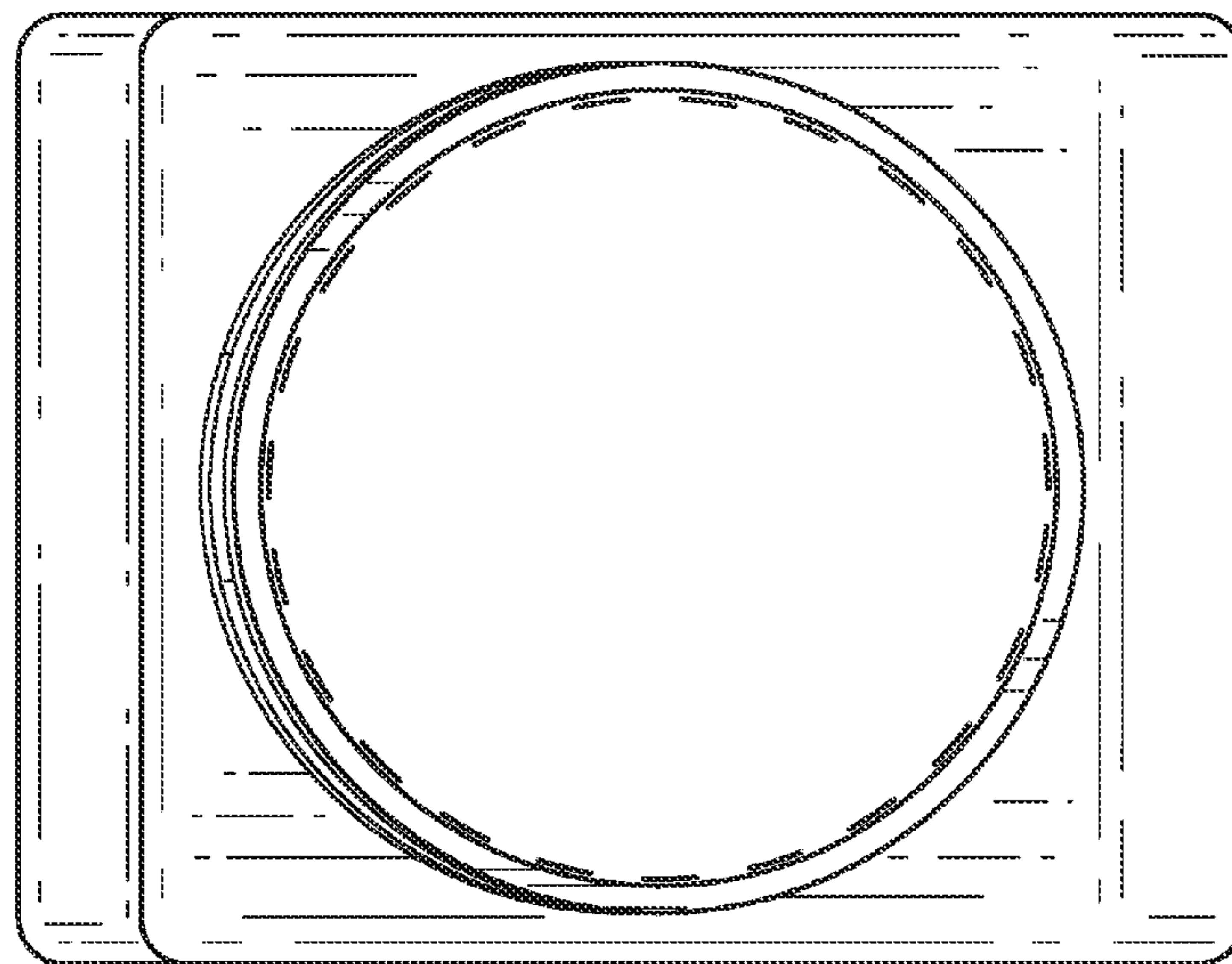


FIG. 2

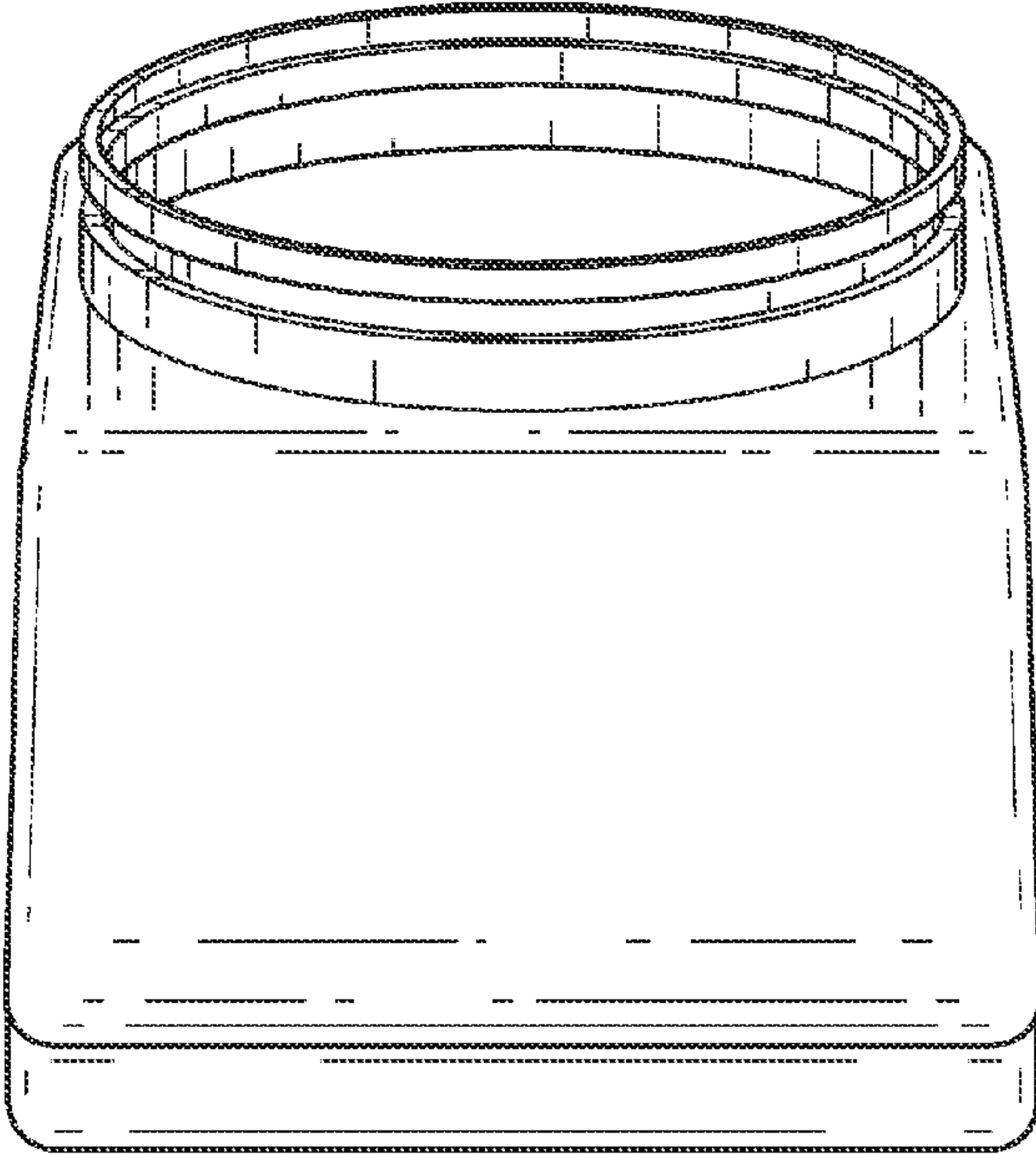


FIG. 3

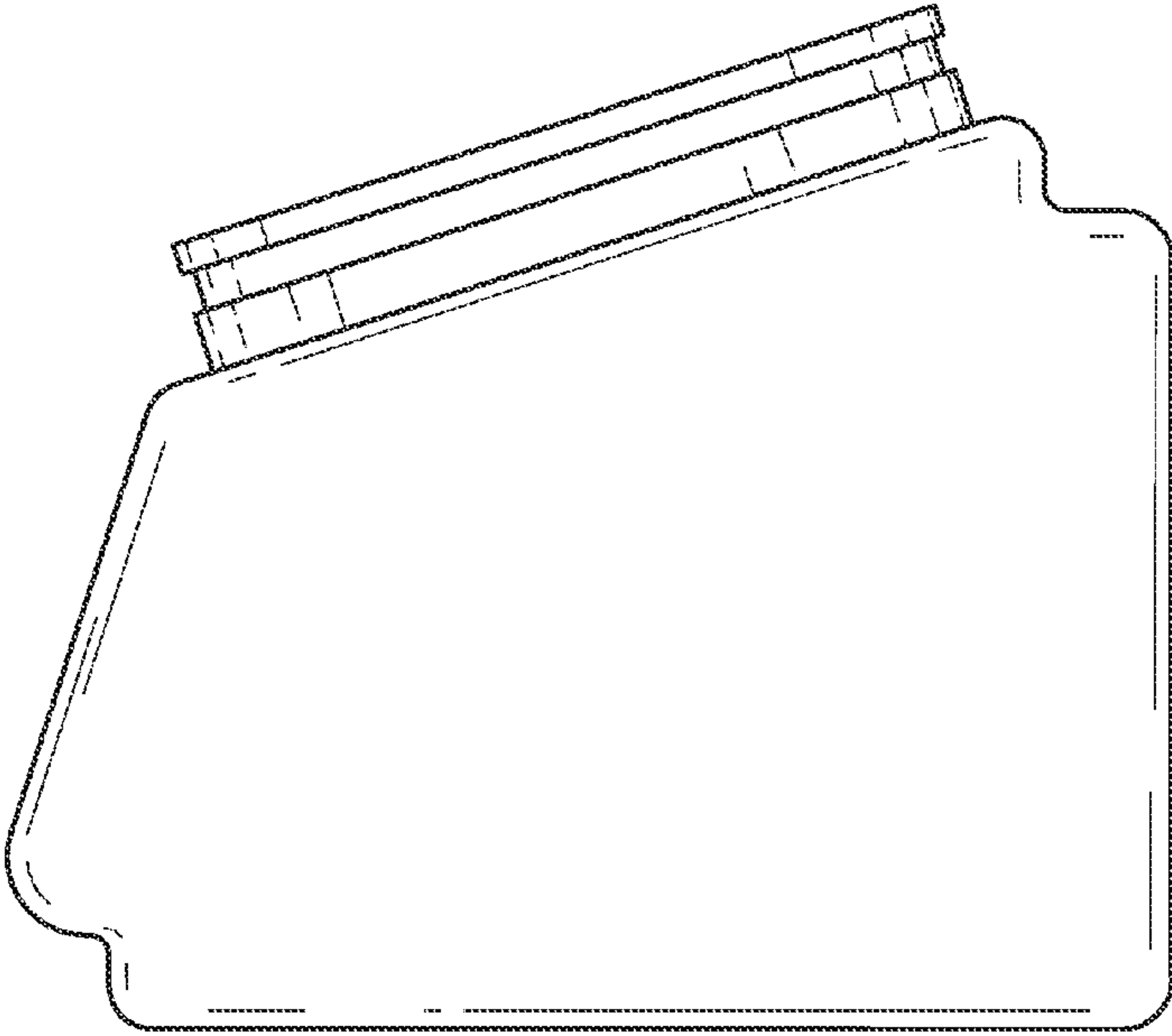


FIG. 4

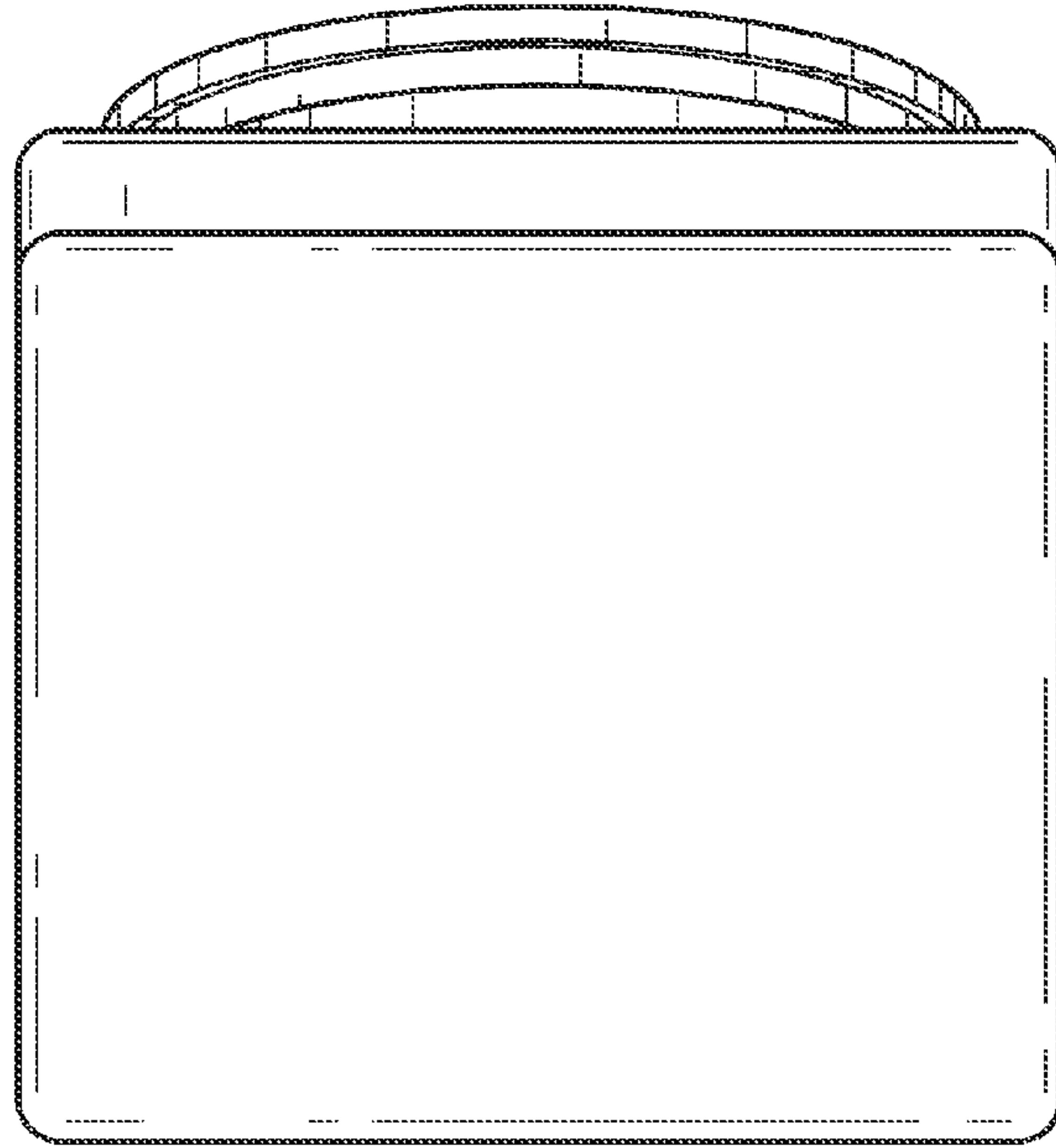


FIG. 5



FIG. 6